



US00D907744S

(12) **United States Design Patent**
Roehl

(10) **Patent No.:** **US D907,744 S**

(45) **Date of Patent:** **** Jan. 12, 2021**

- (54) **DISPENSER NOZZLE**
- (71) Applicant: **Lutz Pumpen GmbH, Wertheim (DE)**
- (72) Inventor: **Matthias Roehl, Erlenbach (DE)**
- (73) Assignee: **Lutz Pumpen GmbH, Wertheim (DE)**
- (**) Term: **15 Years**
- (21) Appl. No.: **29/678,061**
- (22) Filed: **Jan. 25, 2019**
- (30) **Foreign Application Priority Data**

- 5,470,305 A * 11/1995 Arnett A61M 3/022
601/161
- 6,059,754 A * 5/2000 Pasch A61M 3/022
604/152
- 6,460,787 B1 * 10/2002 Hartle B05B 12/0026
239/691
- D627,035 S * 11/2010 Evar D23/226
- D677,362 S * 3/2013 Christopher D23/223
- 8,460,251 B2 * 6/2013 Ebbett A61D 7/00
604/223
- 8,608,091 B2 * 12/2013 Murray B29B 7/7404
239/413
- D782,005 S * 3/2017 Naslund D23/223
- D805,567 S * 12/2017 Kita D15/144.2
- D826,025 S * 8/2018 Harrington D8/107
- 10,245,042 B2 * 4/2019 Koltz A61B 17/1622

- Aug. 1, 2018 (EM) 005520590
- (51) **LOC (13) Cl.** **23-01**
- (52) **U.S. Cl.**
USPC **D23/226**
- (58) **Field of Classification Search**
USPC D23/213, 214, 215, 223, 224, 226, 229,
D23/230
CPC A61H 9/0021; A61H 33/00; B05B 1/00;
B05B 1/14; B05B 1/185; B05B 1/08;
B05B 1/02; B05B 1/26; B05B 12/002;
B05B 1/18; B05B 9/01
See application file for complete search history.

OTHER PUBLICATIONS

<https://www.lutzpumps.com/lutz-zapfventil-pp> (Year: 2020).*

* cited by examiner

Primary Examiner — Manpreet S Matharu
Assistant Examiner — Keith J Wilson
(74) *Attorney, Agent, or Firm* — Collard & Roe, P.C.

(57) **CLAIM**

The ornamental design for a dispenser nozzle, as shown and described.

(56) **References Cited**

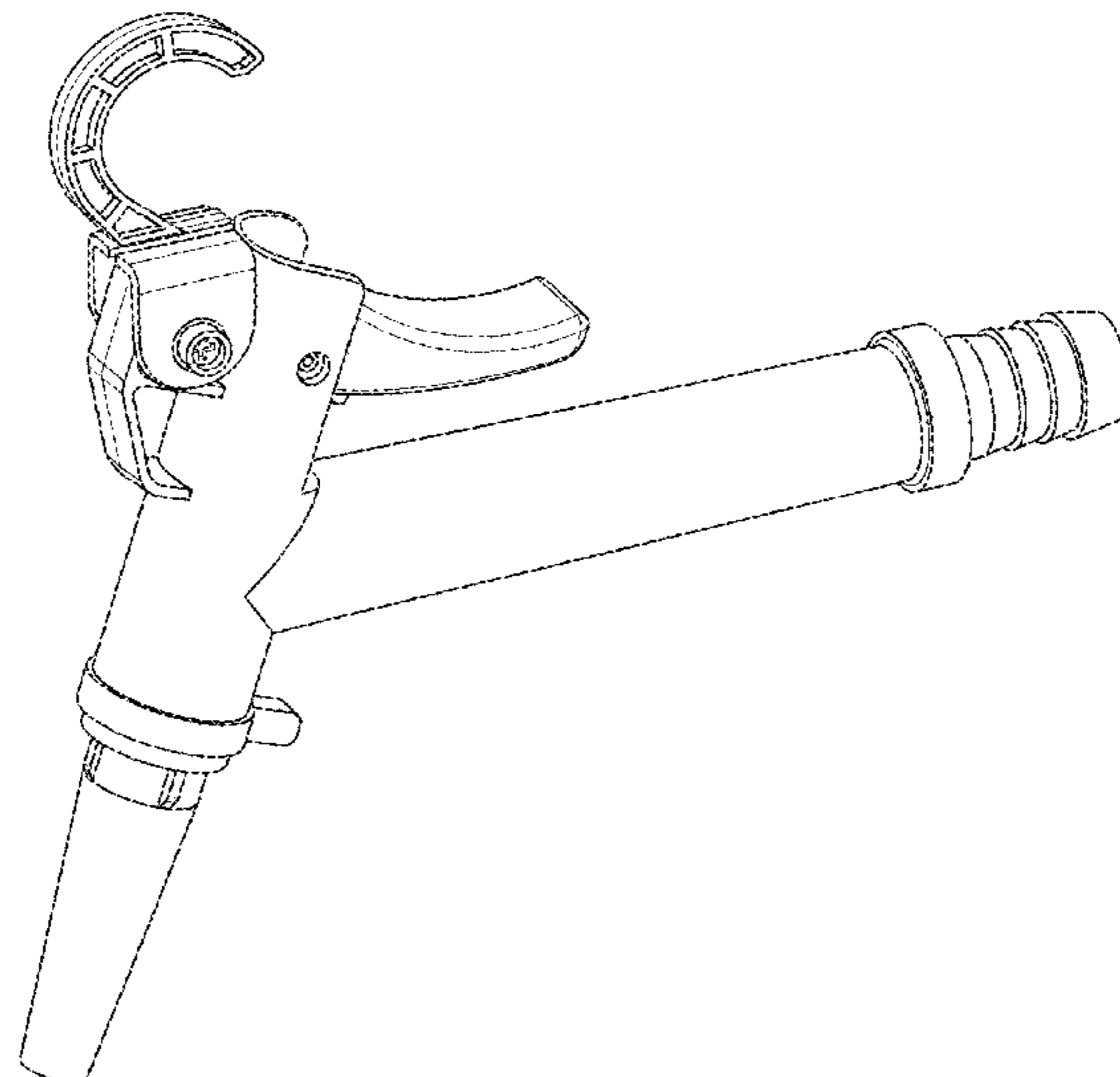
U.S. PATENT DOCUMENTS

- 4,583,531 A * 4/1986 Matthen A61C 17/028
601/161
- 4,660,774 A * 4/1987 Kwok B05B 15/00
239/301
- 5,046,486 A * 9/1991 Grulke A61C 17/028
601/161
- 5,312,333 A * 5/1994 Churinetz A61B 17/00491
604/140
- 5,332,156 A * 7/1994 Wheeler B05B 15/00
239/288
- 5,462,204 A * 10/1995 Finn B05B 1/3066
222/137

DESCRIPTION

FIG. 1 is a rear and left side perspective view of a dispenser nozzle, showing my new design;
FIG. 2 is a right side view thereof;
FIG. 3 is a left side view thereof;
FIG. 4 is a front view thereof;
FIG. 5 is a rear view thereof;
FIG. 6 is a bottom view thereof; and,
FIG. 7 is a top view thereof.
The broken lines represent a portion of the dispenser nozzle that forms no part of the claimed design.

1 Claim, 5 Drawing Sheets



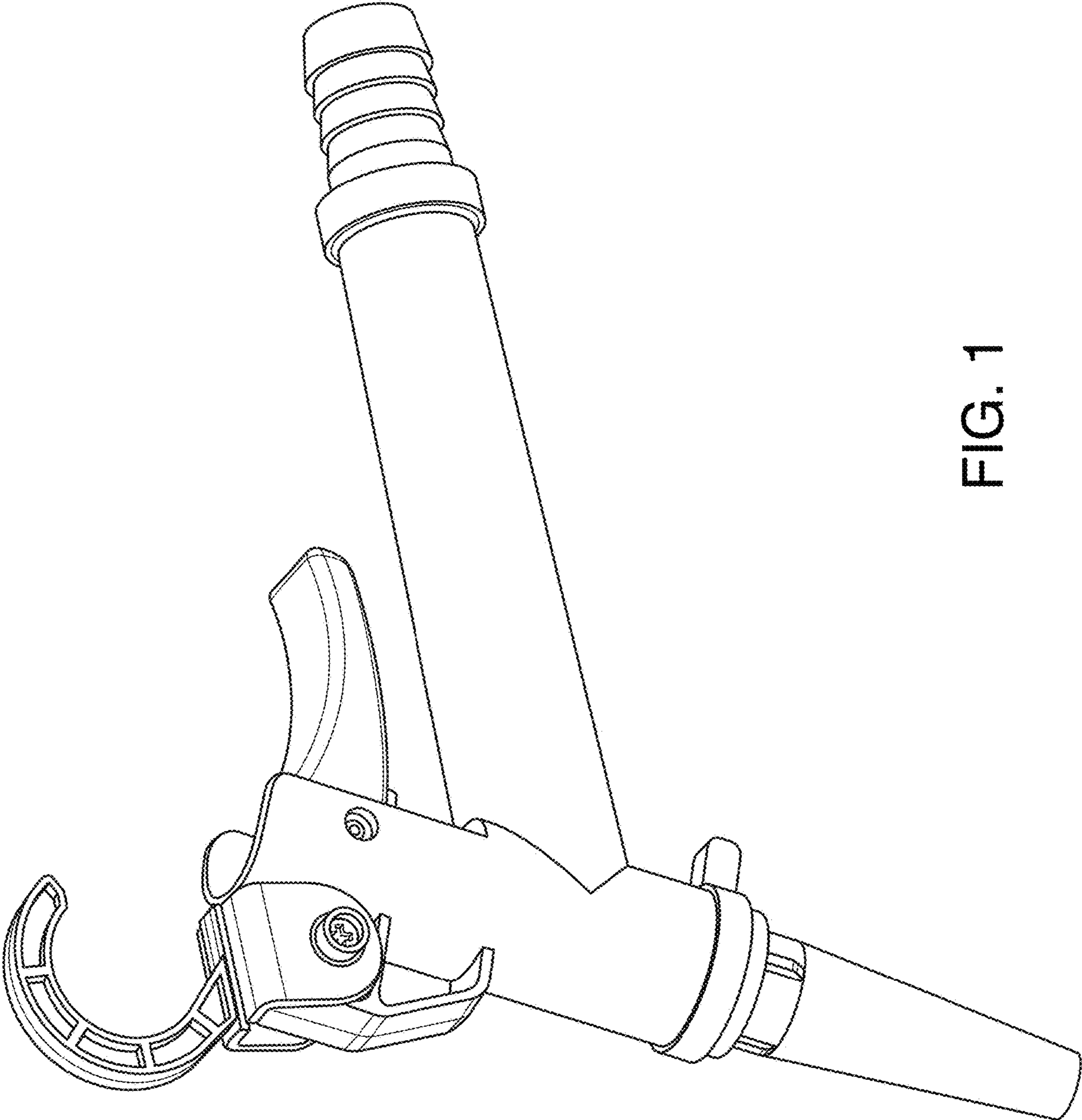


FIG. 1

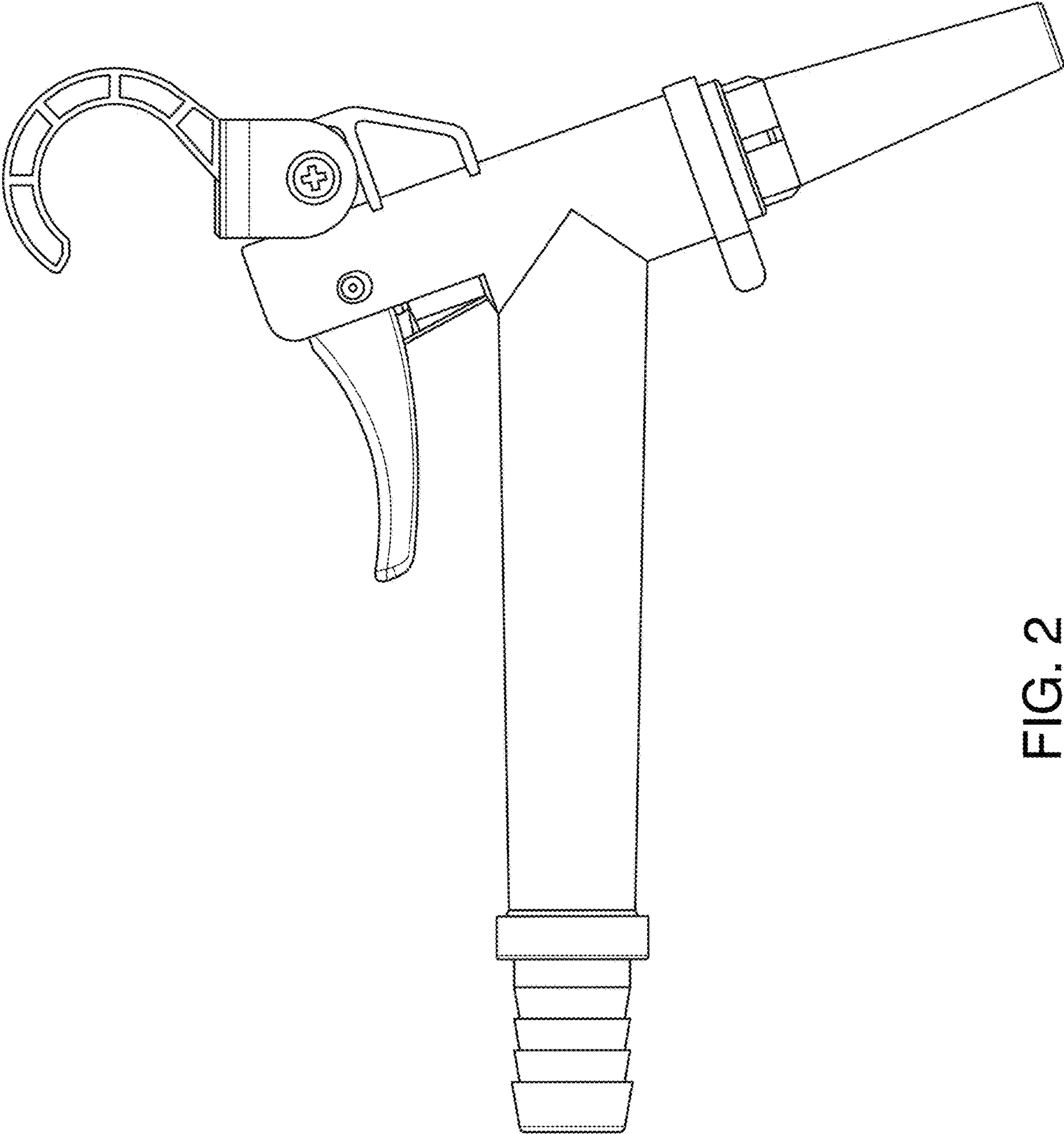


FIG. 2

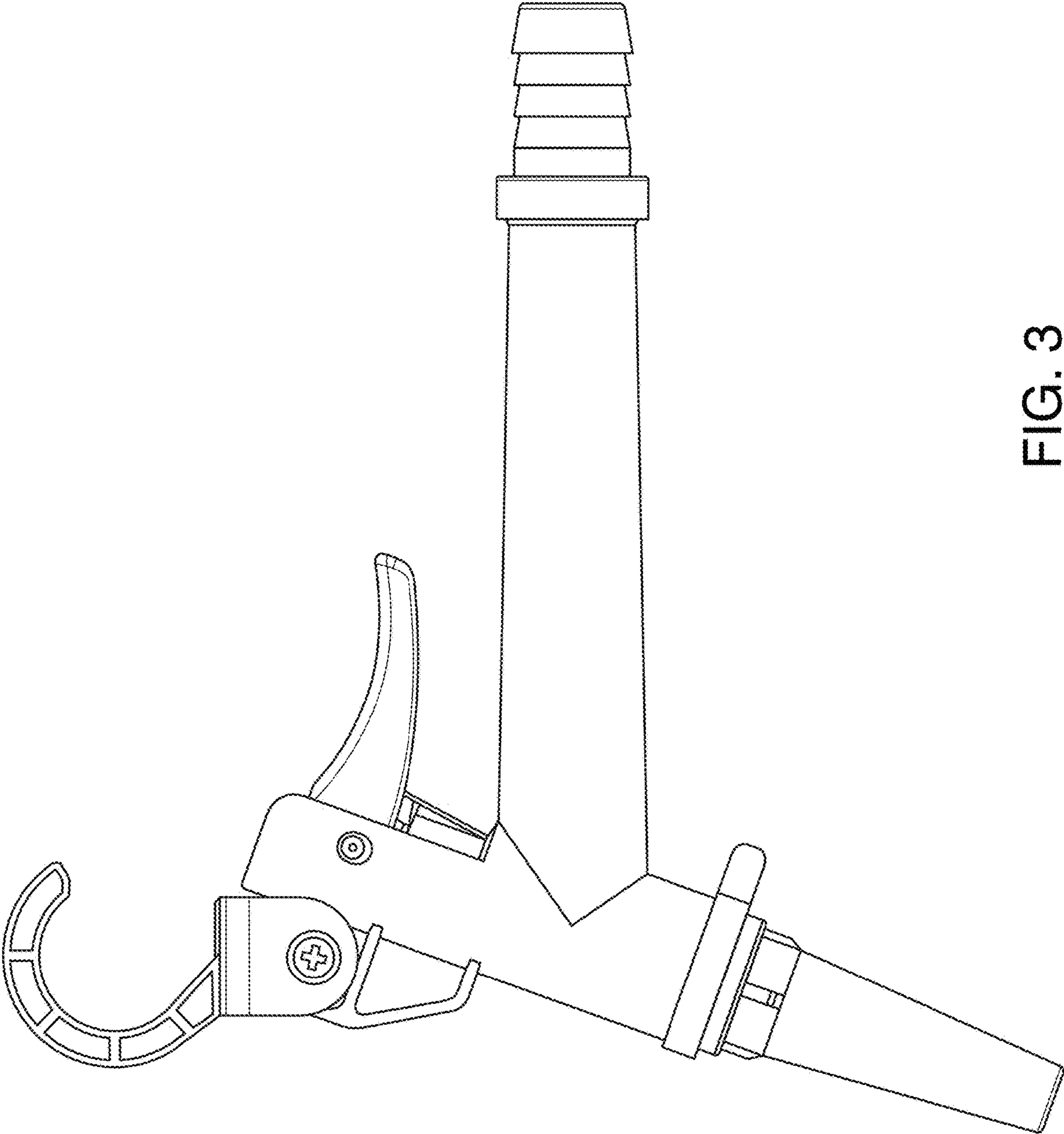


FIG. 3

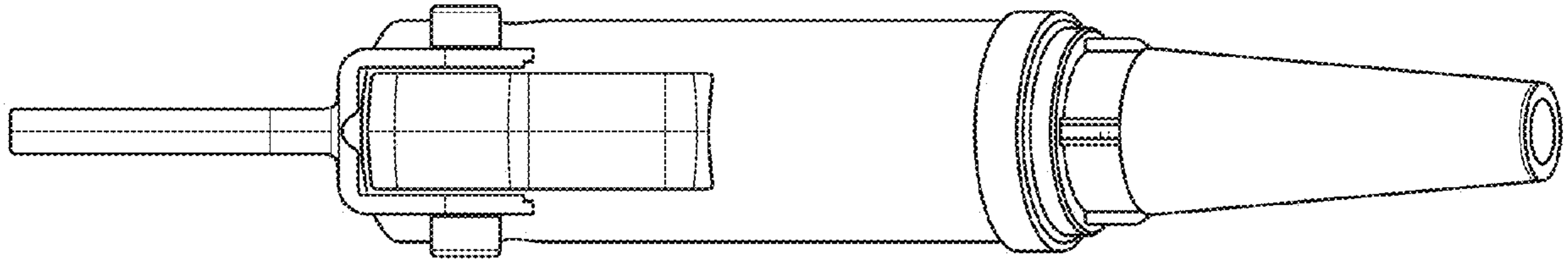


FIG. 5

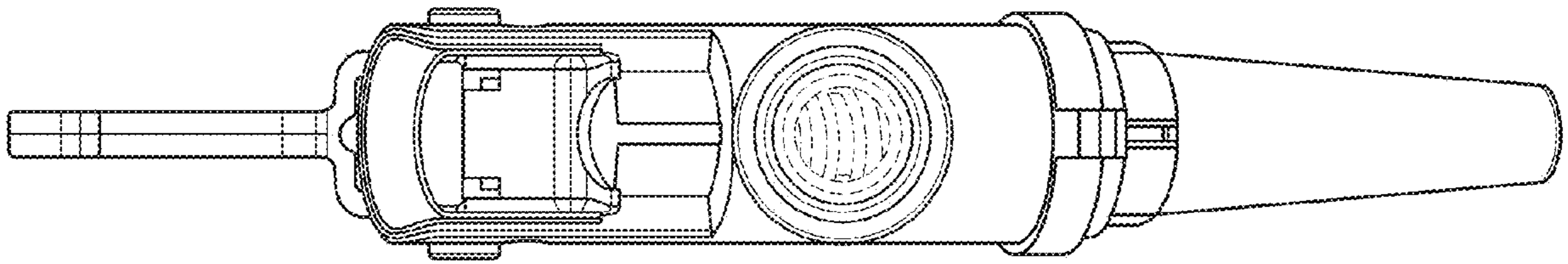


FIG. 4

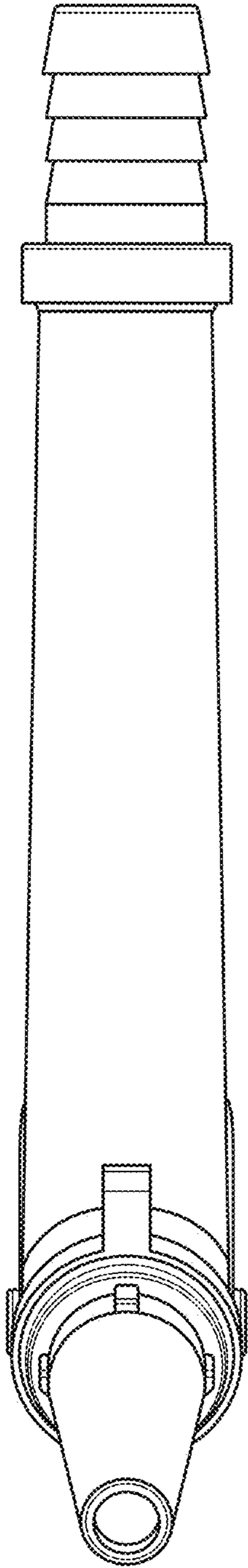


FIG. 6

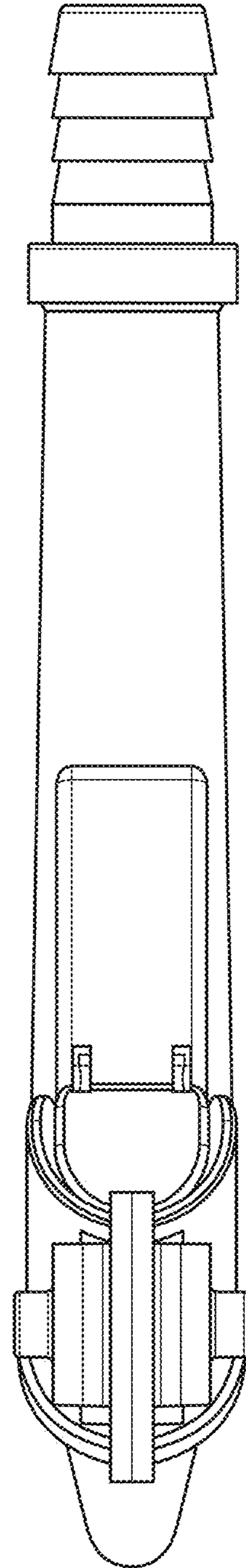


FIG. 7