



US00D907741S

(12) **United States Design Patent** (10) **Patent No.:** **US D907,741 S**  
**D'Antonio et al.** (45) **Date of Patent:** **\*\* Jan. 12, 2021**

(54) **POOL CHLORINE DISPENSER**  
(71) Applicant: **CPA POOL PRODUCTS, INC.**,  
Blainville (CA)  
(72) Inventors: **Angela D'Antonio**, Blainville (CA);  
**Amiel Lapalme**, Montreal (CA)  
(73) Assignee: **CPA POOL PRODUCTS, INC.**,  
Blainville (CA)  
(\*\*) Term: **15 Years**  
(21) Appl. No.: **29/681,501**  
(22) Filed: **Feb. 26, 2019**  
(51) **LOC (13) Cl.** ..... **23-01**  
(52) **U.S. Cl.**  
USPC ..... **D23/207**  
(58) **Field of Classification Search**  
USPC ..... D23/200, 202, 207-210; D6/512;  
D7/306-308, 686, 687  
CPC ..... B01D 5/006; B01D 35/30; C02F 1/002;  
C02F 1/003  
See application file for complete search history.

D371,824 S \* 7/1996 Price ..... D23/207  
D559,944 S \* 1/2008 Bruneel ..... D23/207  
D606,814 S \* 12/2009 Mineo ..... D7/686  
D606,815 S \* 12/2009 Gallop ..... D7/686  
D629,486 S \* 12/2010 Rossano ..... D23/208  
D630,705 S \* 1/2011 Rossano ..... D23/208  
D671,377 S \* 11/2012 Roberts ..... D7/686  
D736,344 S \* 8/2015 Chalifoux ..... D23/208  
D810,522 S \* 2/2018 Siskindovich ..... D7/686

\* cited by examiner

*Primary Examiner* — Sheryl Lane

*Assistant Examiner* — Calvin E Vansant

(74) *Attorney, Agent, or Firm* — Hodgson Russ LLP

(57) **CLAIM**

The ornamental design for a pool chlorine dispenser, as shown and described.

**DESCRIPTION**

FIG. 1 is a perspective view of a pool chlorine dispenser, showing our new design;

FIG. 2 is a front elevation view thereof;

FIG. 3 is a rear elevation view thereof;

FIG. 4 is a left side elevation view thereof;

FIG. 5 is a right side elevation view thereof;

FIG. 6 a top plan view thereof; and,

FIG. 7 is a bottom plan view thereof.

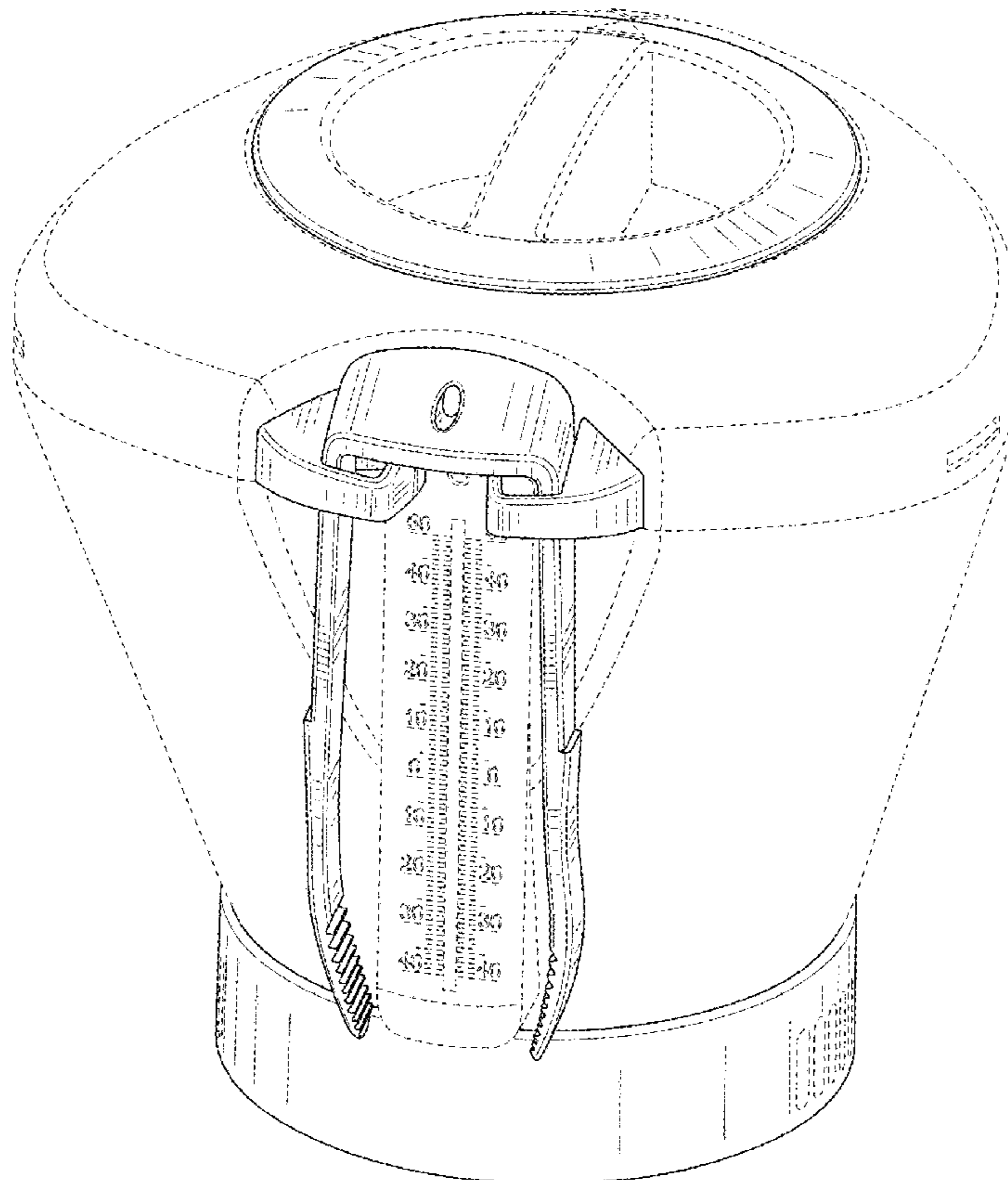
The broken lines in the figures illustrate portions of the pool chlorine dispenser that form no part of the claimed design.

(56) **References Cited**

**U.S. PATENT DOCUMENTS**

D246,280 S \* 11/1977 Daenen ..... D7/686  
D317,106 S \* 5/1991 Kosurko ..... D7/686

**1 Claim, 7 Drawing Sheets**



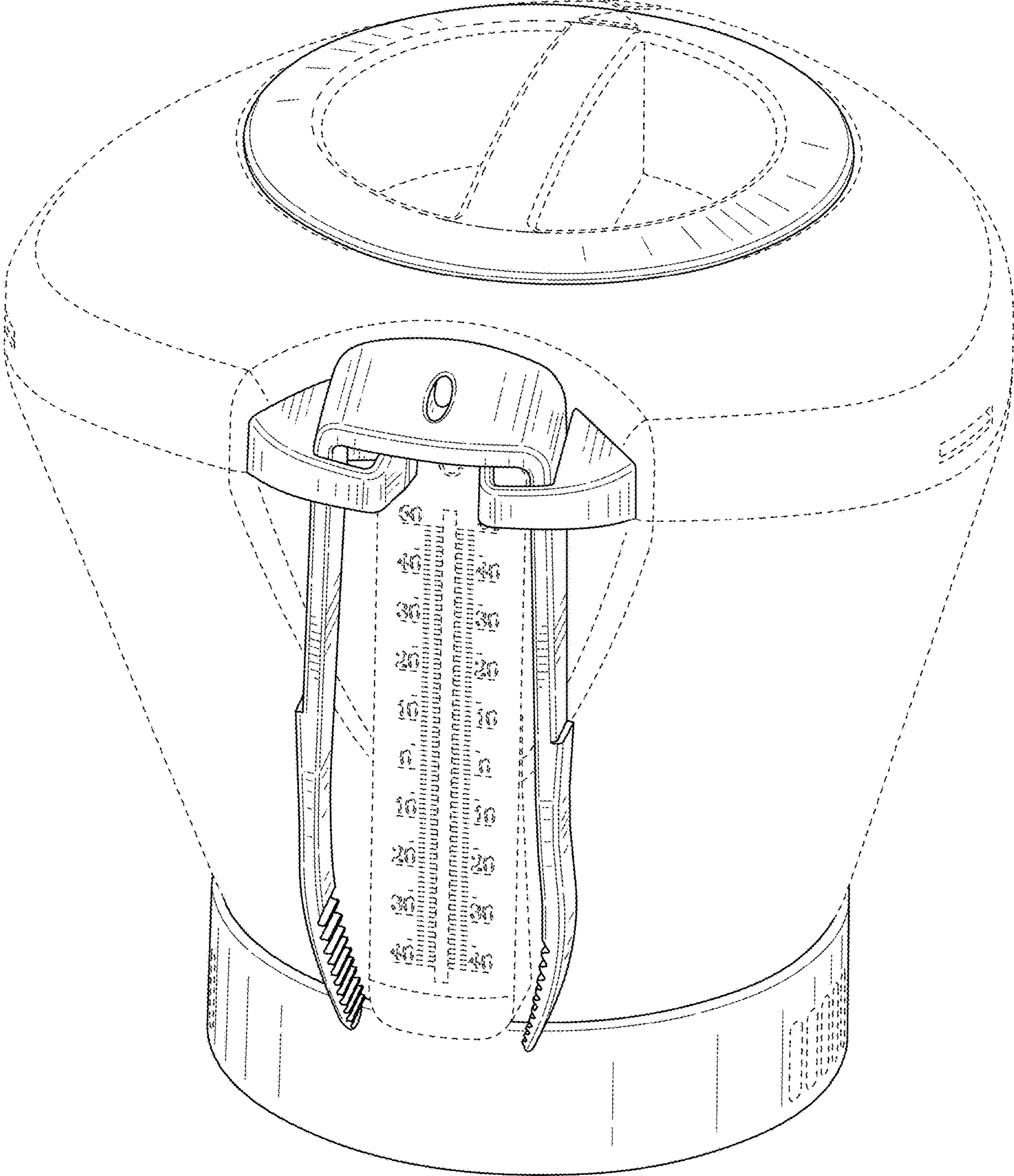


FIG. 1

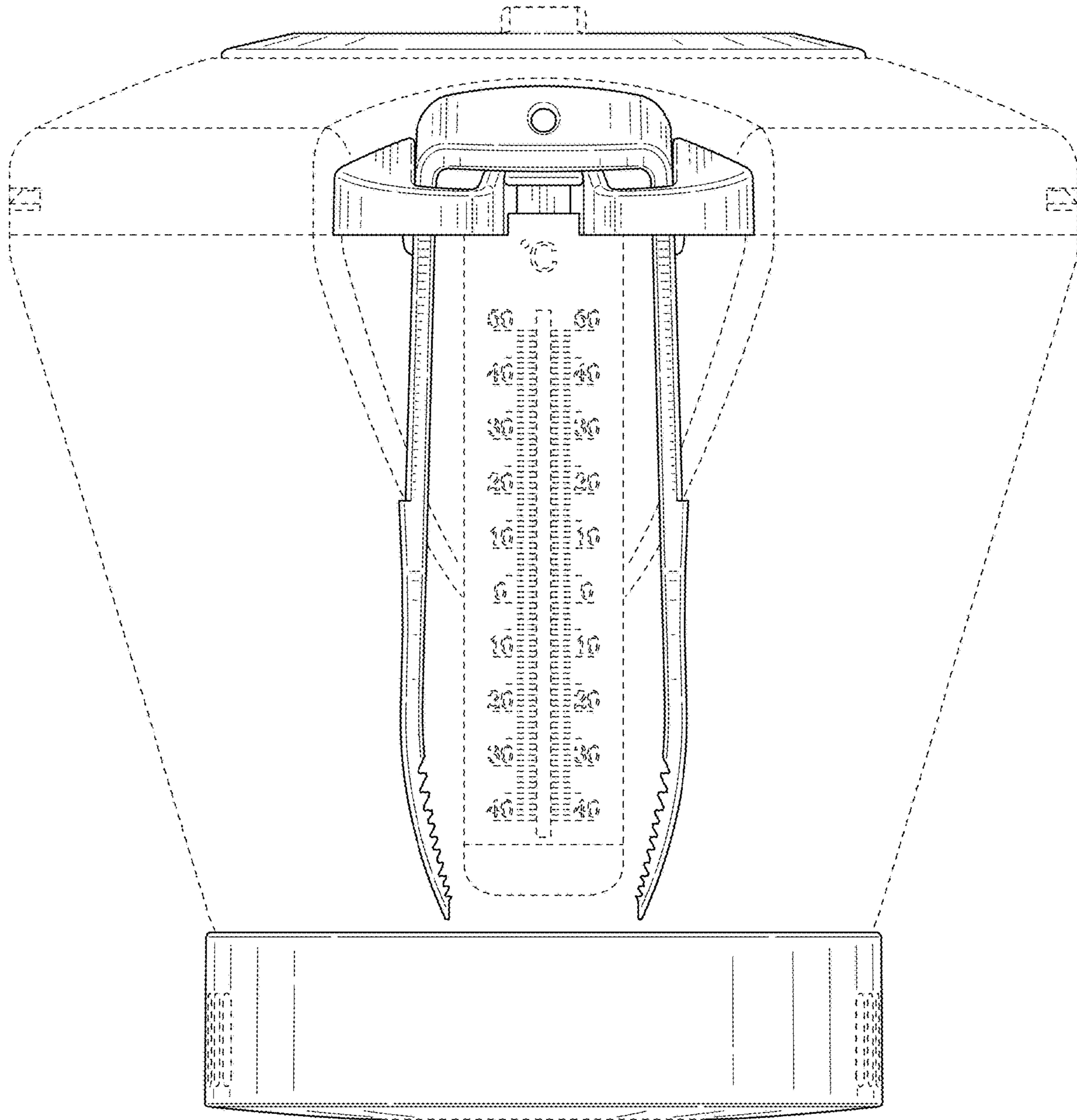


FIG. 2

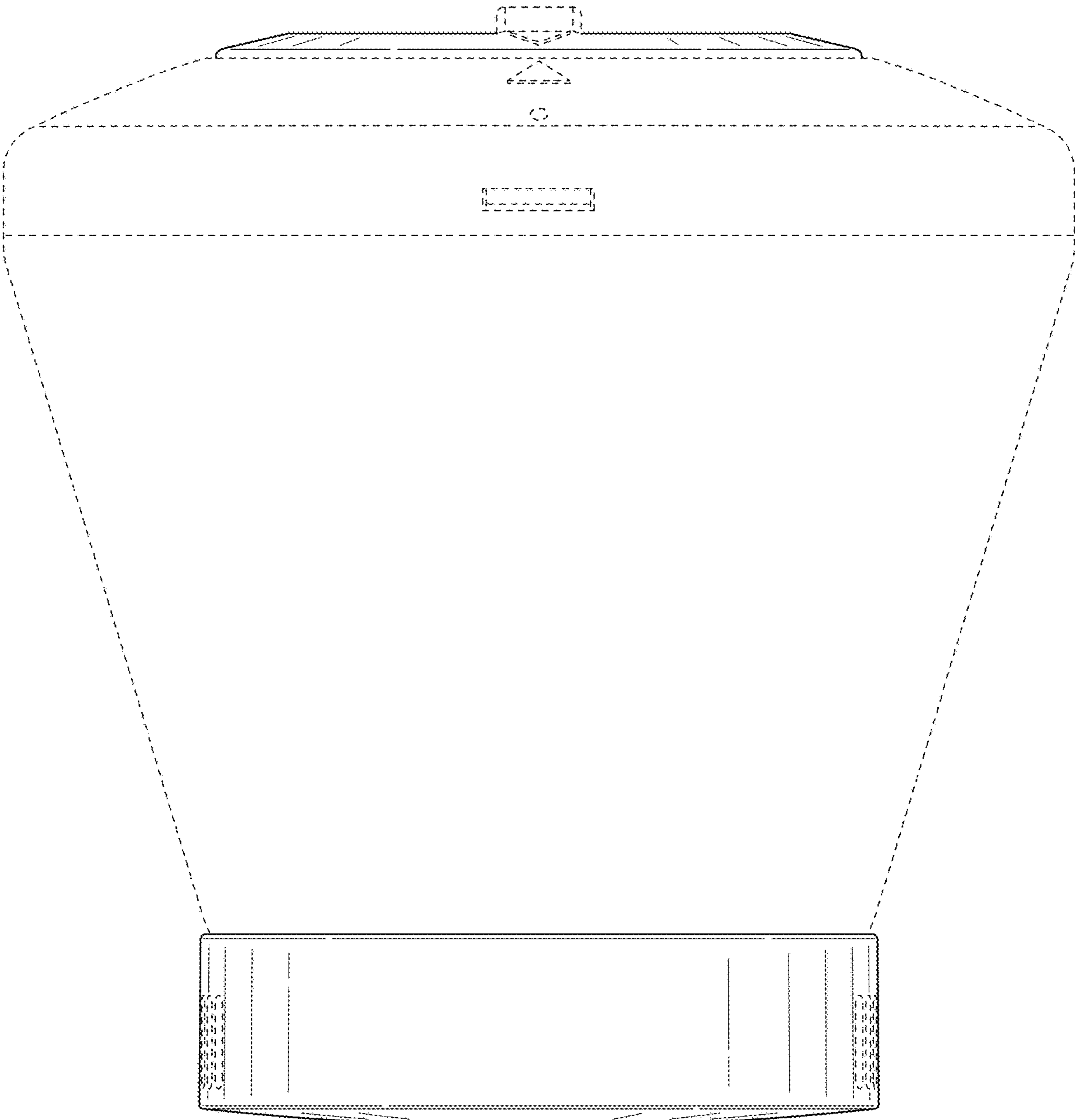


FIG. 3

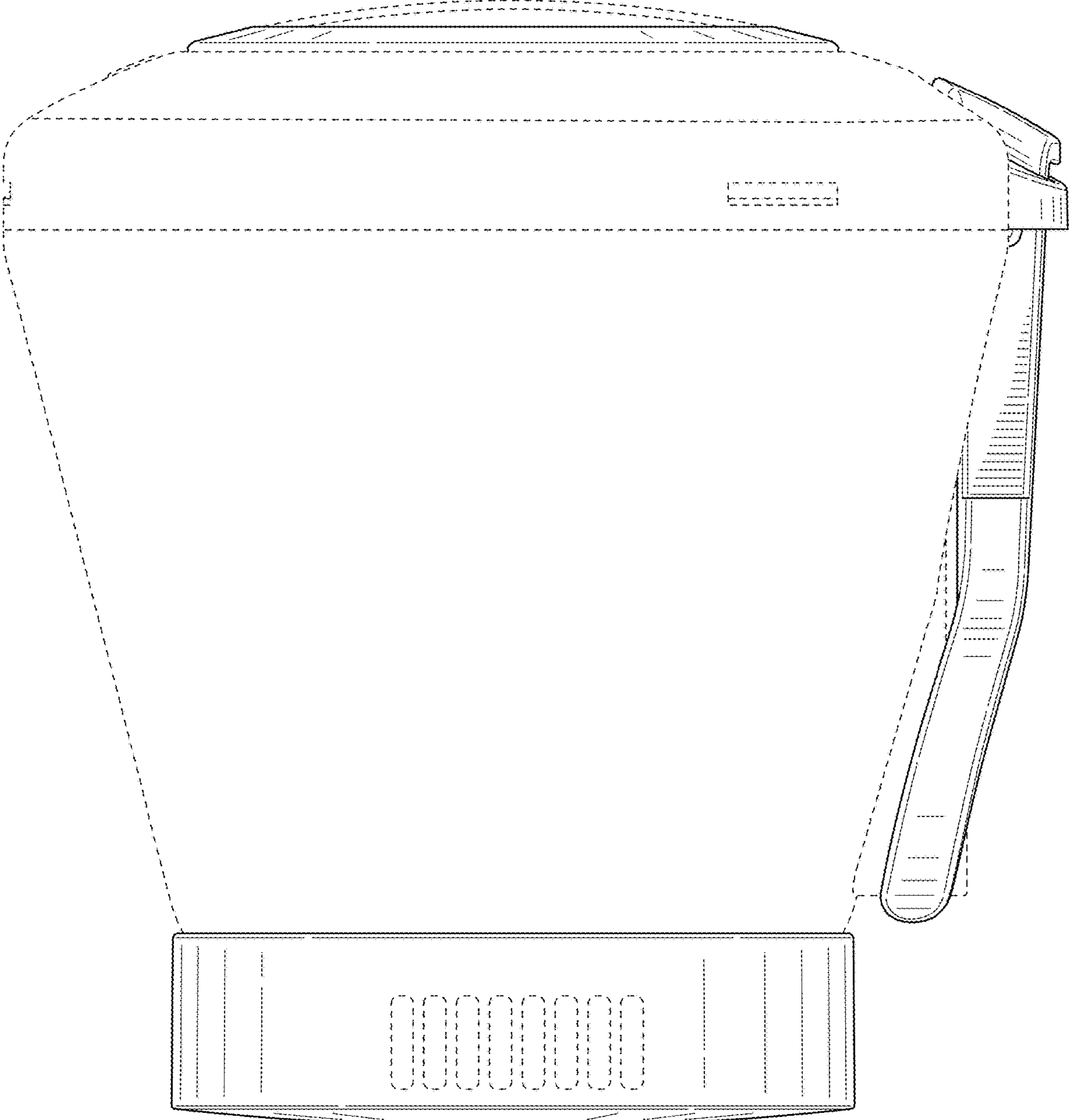


FIG. 4

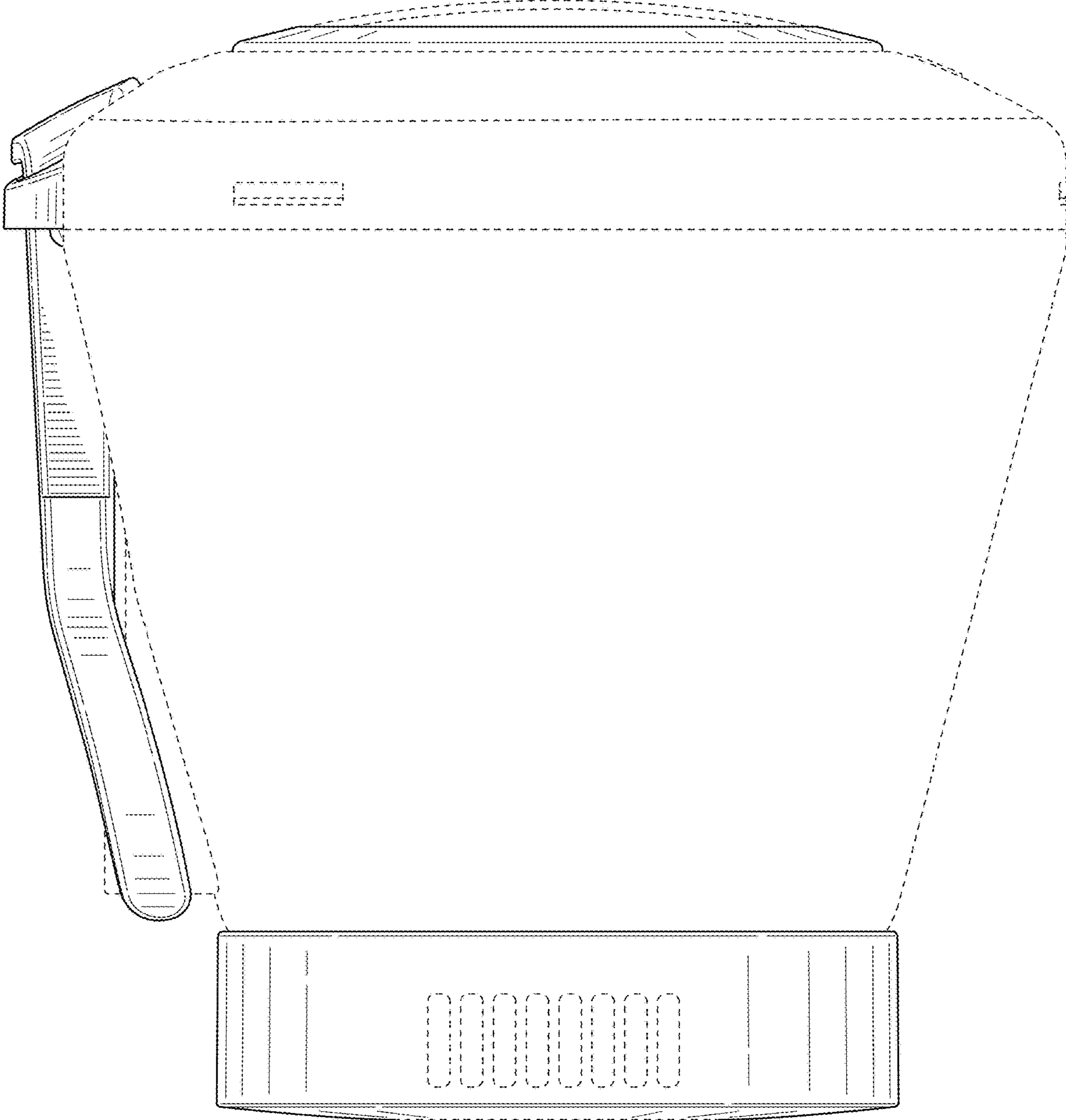


FIG. 5

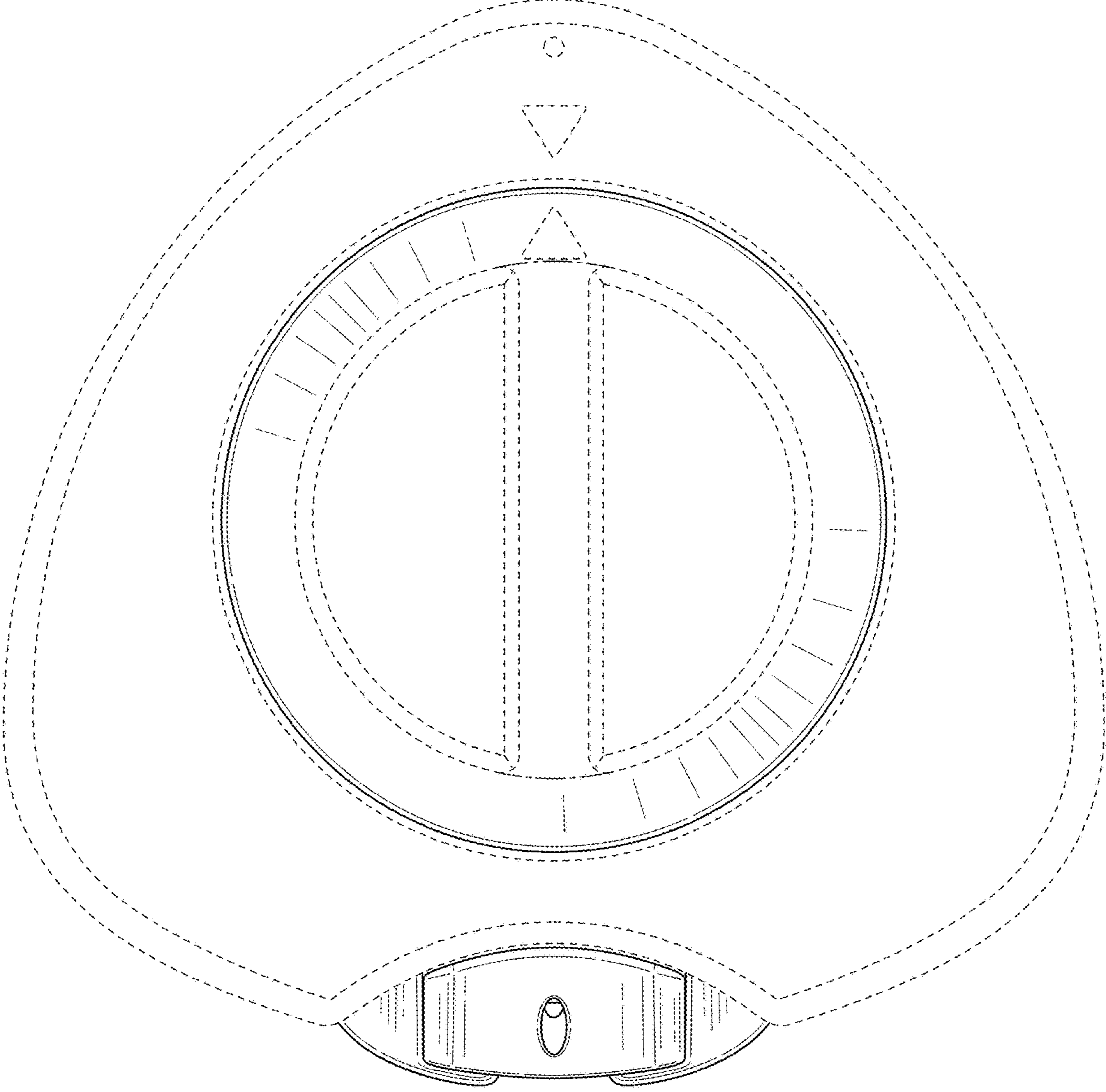
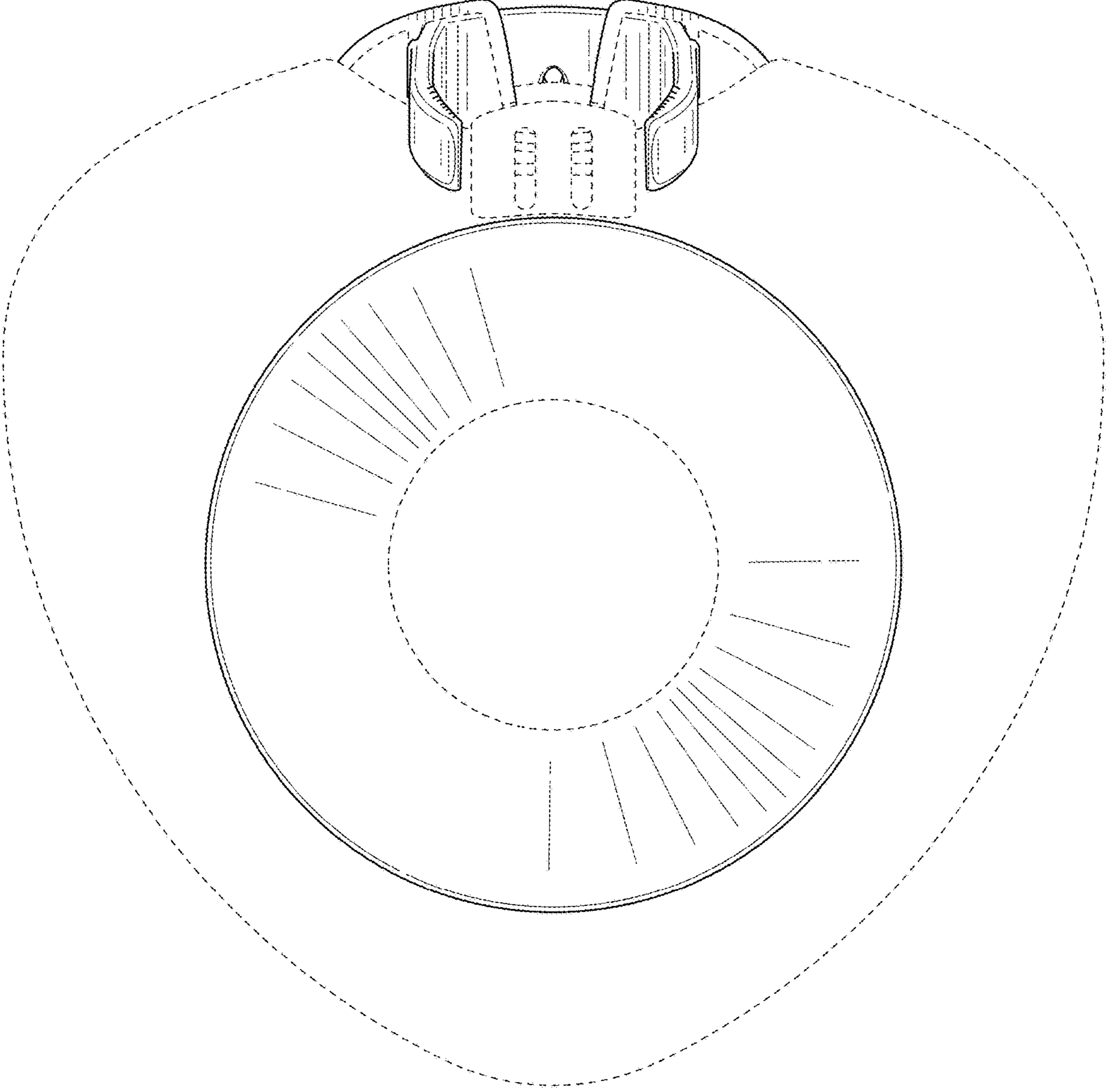


FIG. 6



**FIG. 7**