



US00D907740S

(12) **United States Design Patent**  
**Xu**

(10) **Patent No.:** **US D907,740 S**

(45) **Date of Patent:** **\*\* Jan. 12, 2021**

(54) **FOG MACHINE**  
(71) Applicant: **Guangzhou DJPOWER Electronic Technology Co., Ltd, Guangzhou (CN)**  
(72) Inventor: **Hui Xu, Guangzhou (CN)**  
(73) Assignee: **GUANGZHOU DJPOWER ELECTRONIC TECHNOLOGY CO., LTD, Guangzhou (CN)**  
(\*\*) Term: **15 Years**  
(21) Appl. No.: **29/666,616**

5,803,359 A \* 9/1998 Vandoninck ..... F41H 9/06  
239/2.1  
D457,935 S \* 5/2002 Ariaz ..... D23/200  
D699,318 S \* 2/2014 Hung ..... D23/200  
D714,898 S \* 10/2014 Franks ..... D23/200  
2003/0202785 A1\* 10/2003 Monitto ..... F41H 9/06  
392/399  
2015/0043304 A1\* 2/2015 Franks ..... A01M 1/2038  
366/167.1  
2015/0139463 A1\* 5/2015 Samimrad ..... H04R 1/028  
381/334  
2018/0344888 A1\* 12/2018 Horvath ..... A61L 9/046  
2019/0321744 A1\* 10/2019 Xu ..... A63J 5/025  
2020/0154692 A1\* 5/2020 Newman ..... A01M 21/043  
2020/0246764 A1\* 8/2020 Putrello ..... B01F 3/04049

\* cited by examiner

(22) Filed: **Oct. 15, 2018**  
(30) **Foreign Application Priority Data**

*Primary Examiner* — Patricia A Palasik  
(74) *Attorney, Agent, or Firm* — Muncy, Geissler, Olds & Lowe, P.C.

Aug. 17, 2018 (CN) ..... 2018 3 0457675  
(51) **LOC (13) Cl.** ..... **23-01**  
(52) **U.S. Cl.**  
USPC ..... **D23/200; D15/199**  
(58) **Field of Classification Search**  
USPC ..... D15/122, 135, 199; D23/200, 356  
CPC ..... A63J 5/02; A63J 5/025  
See application file for complete search history.

(57) **CLAIM**

The ornamental design for a fog machine, as shown and described.

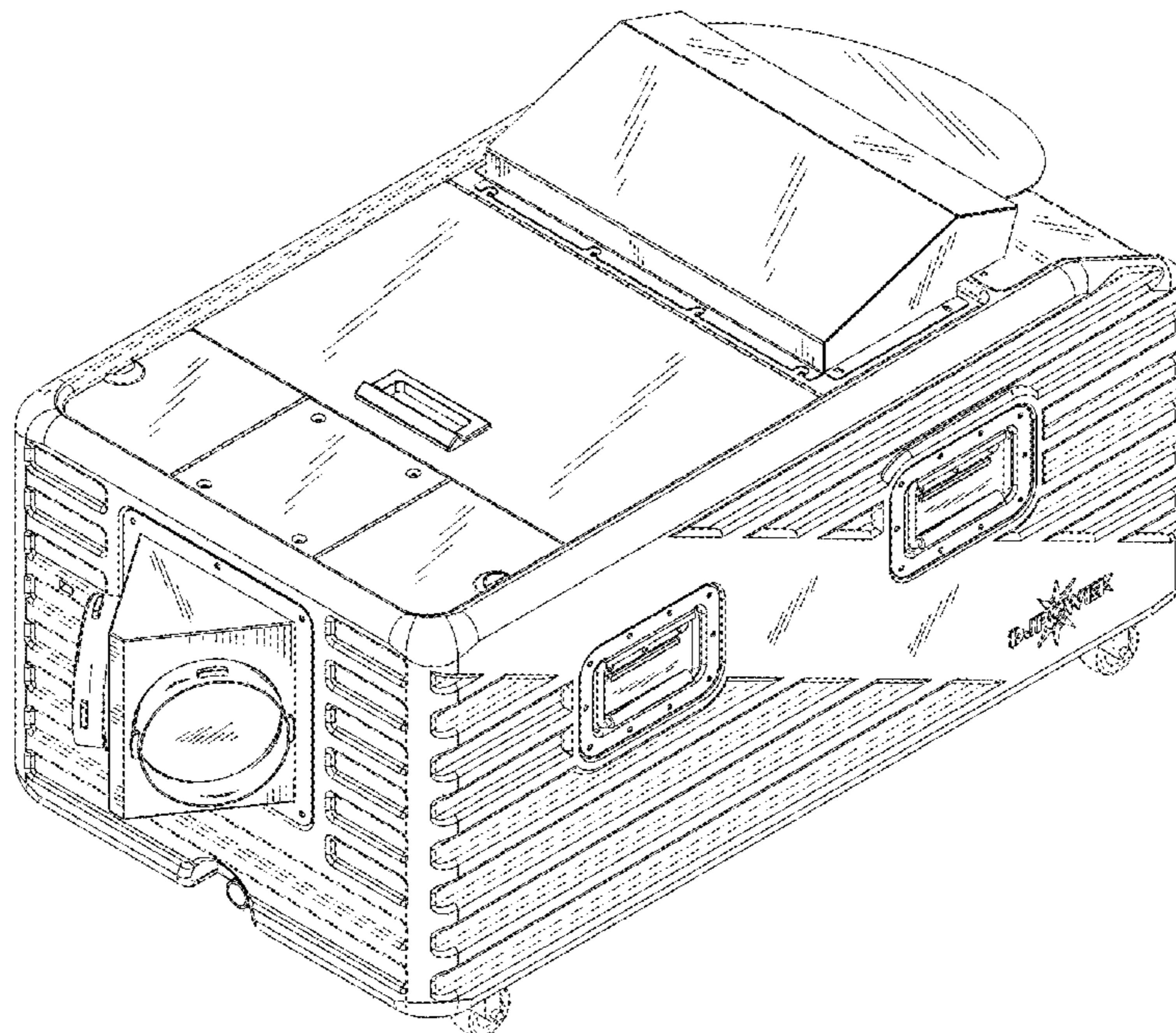
(56) **References Cited**  
U.S. PATENT DOCUMENTS

**DESCRIPTION**

FIG. 1 is a front view of a fog machine showing my new design;  
FIG. 2 is a rear view thereof;  
FIG. 3 is a right view thereof;  
FIG. 4 is a left view thereof;  
FIG. 5 is a top view thereof;  
FIG. 6 is a bottom view thereof;  
FIG. 7 is a perspective view of a closed state thereof; and,  
FIG. 8 is a perspective view of an open state thereof.  
The broken lines in the drawings depict unclaimed portions of the fog machine and form no part of the claimed design.

3,244,641 A \* 4/1966 Strittmatter ..... A01G 13/065  
239/77  
4,675,504 A \* 6/1987 Suhajda ..... A61L 9/03  
239/136  
4,836,452 A \* 6/1989 Fox ..... A63J 5/025  
239/14.1  
5,711,481 A \* 1/1998 MacDonald ..... A63J 5/025  
239/2.1

**1 Claim, 8 Drawing Sheets**



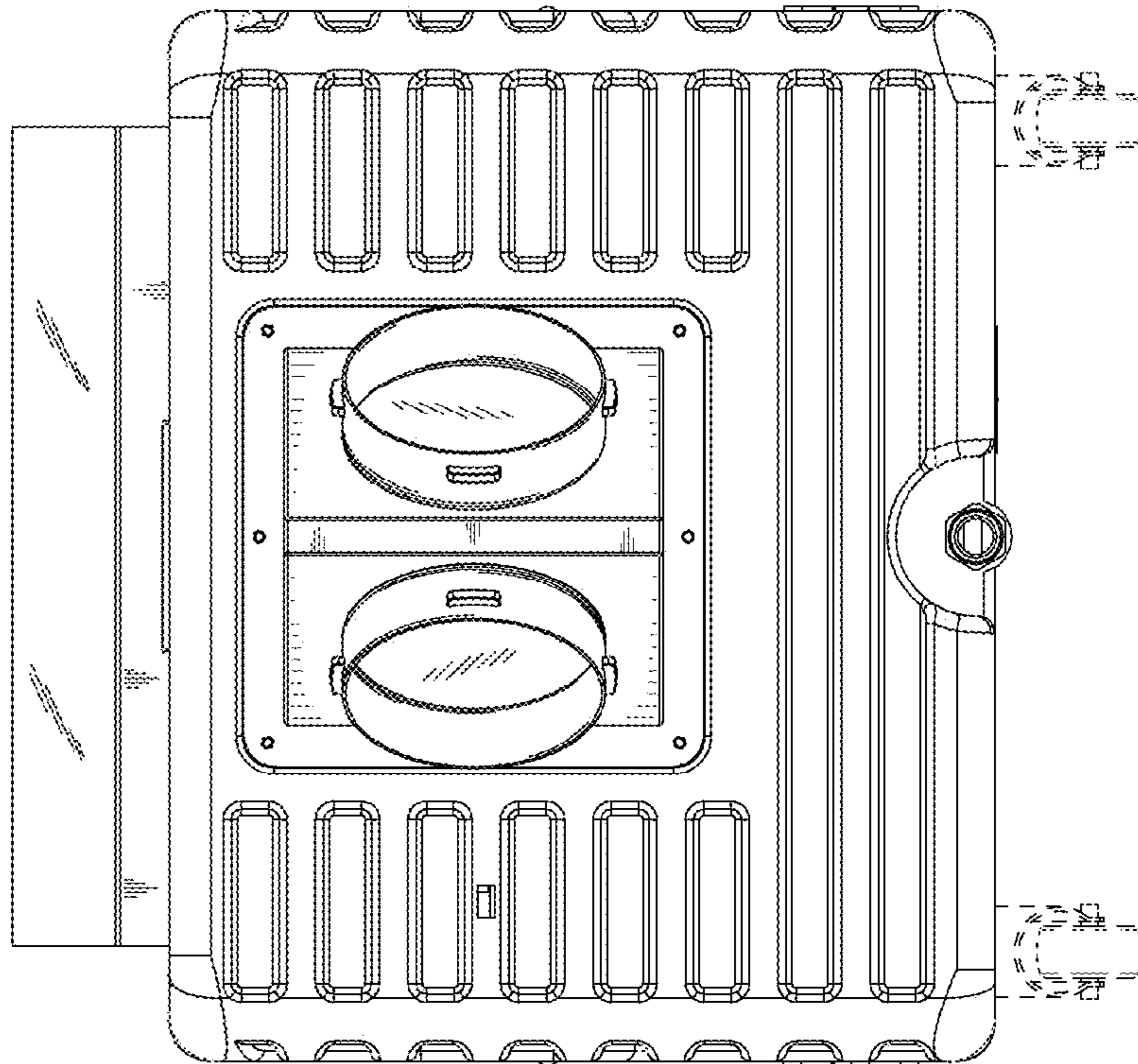


Fig.1

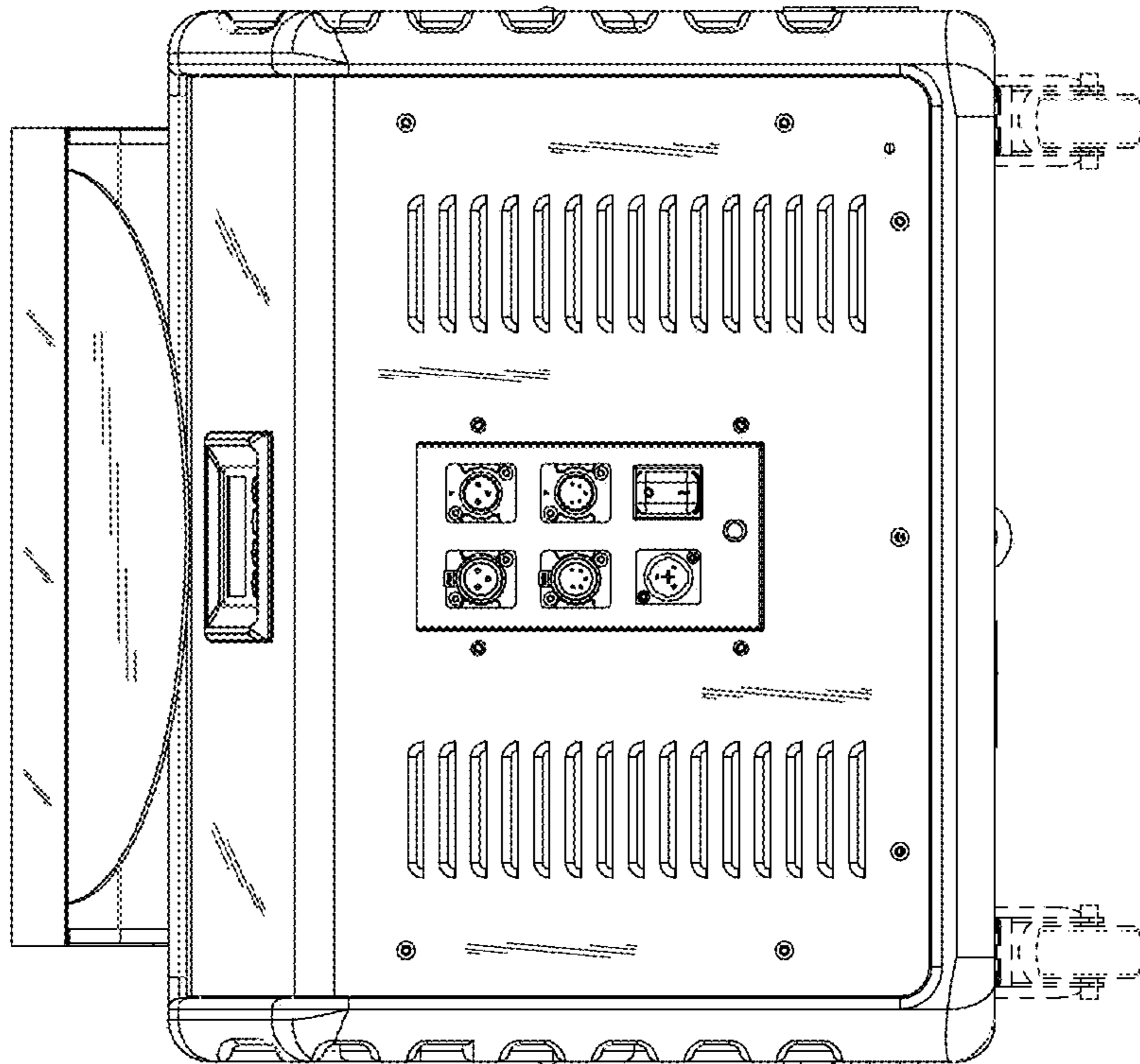


Fig. 2

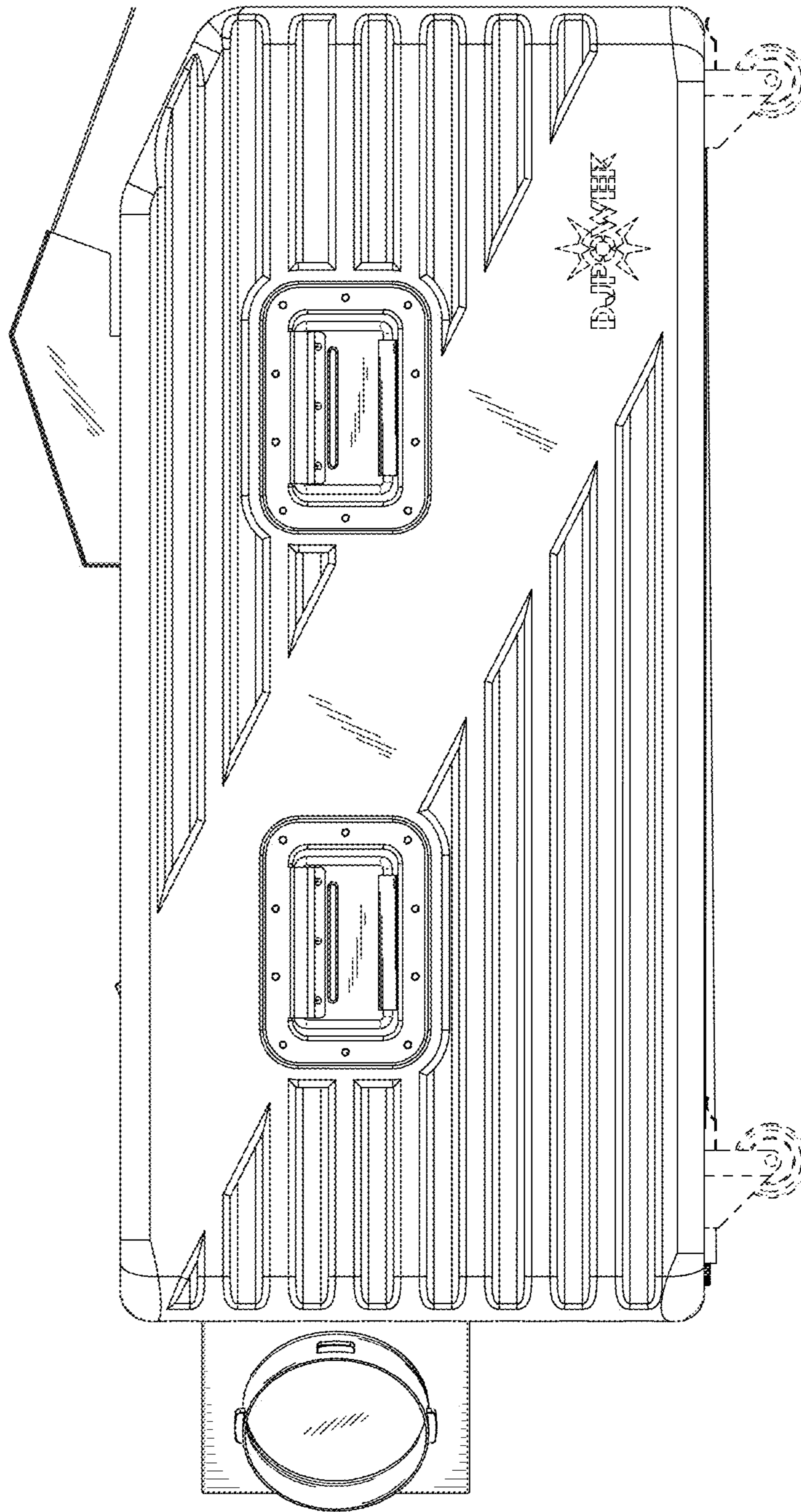


Fig.3

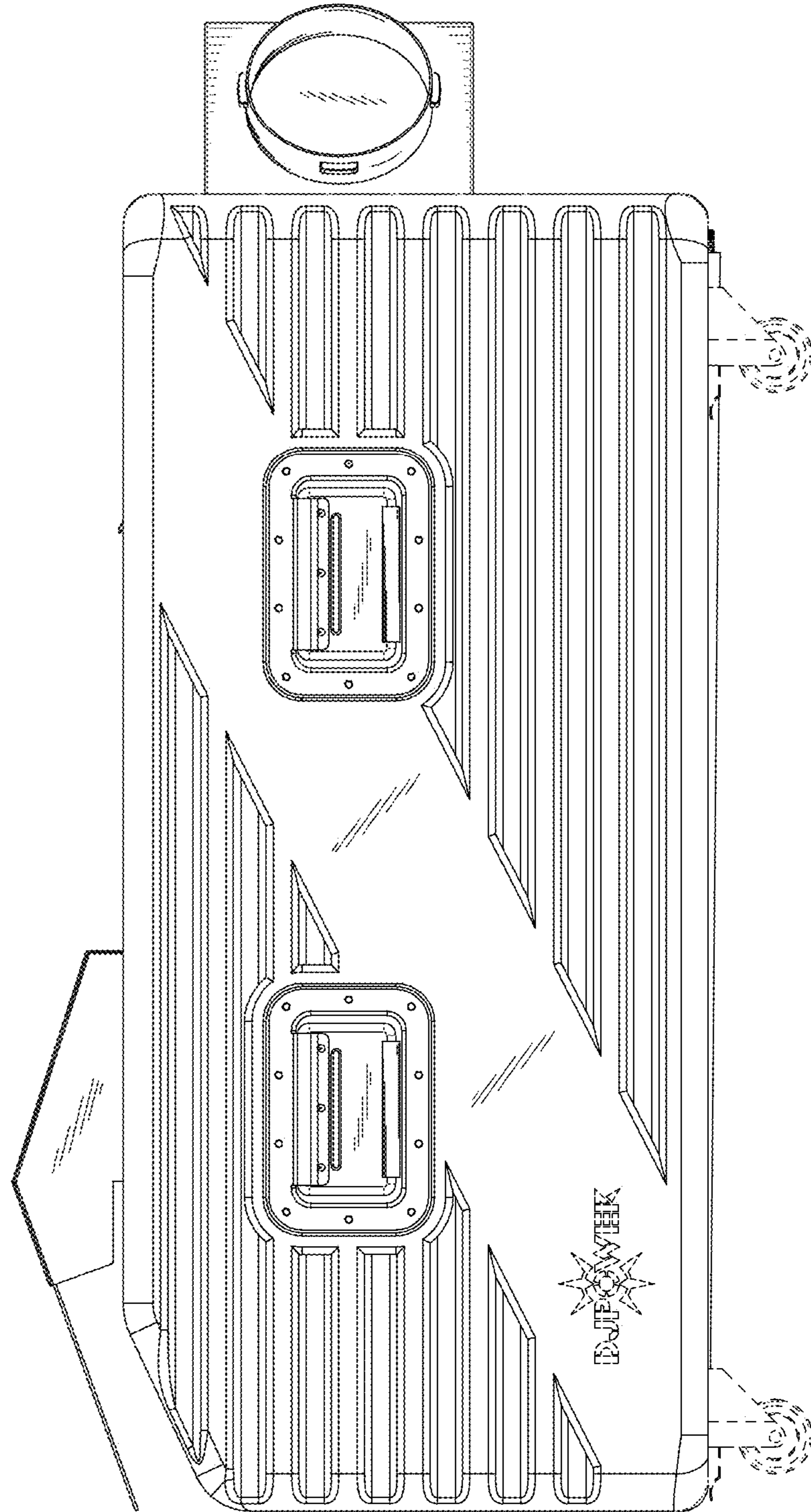


Fig.4

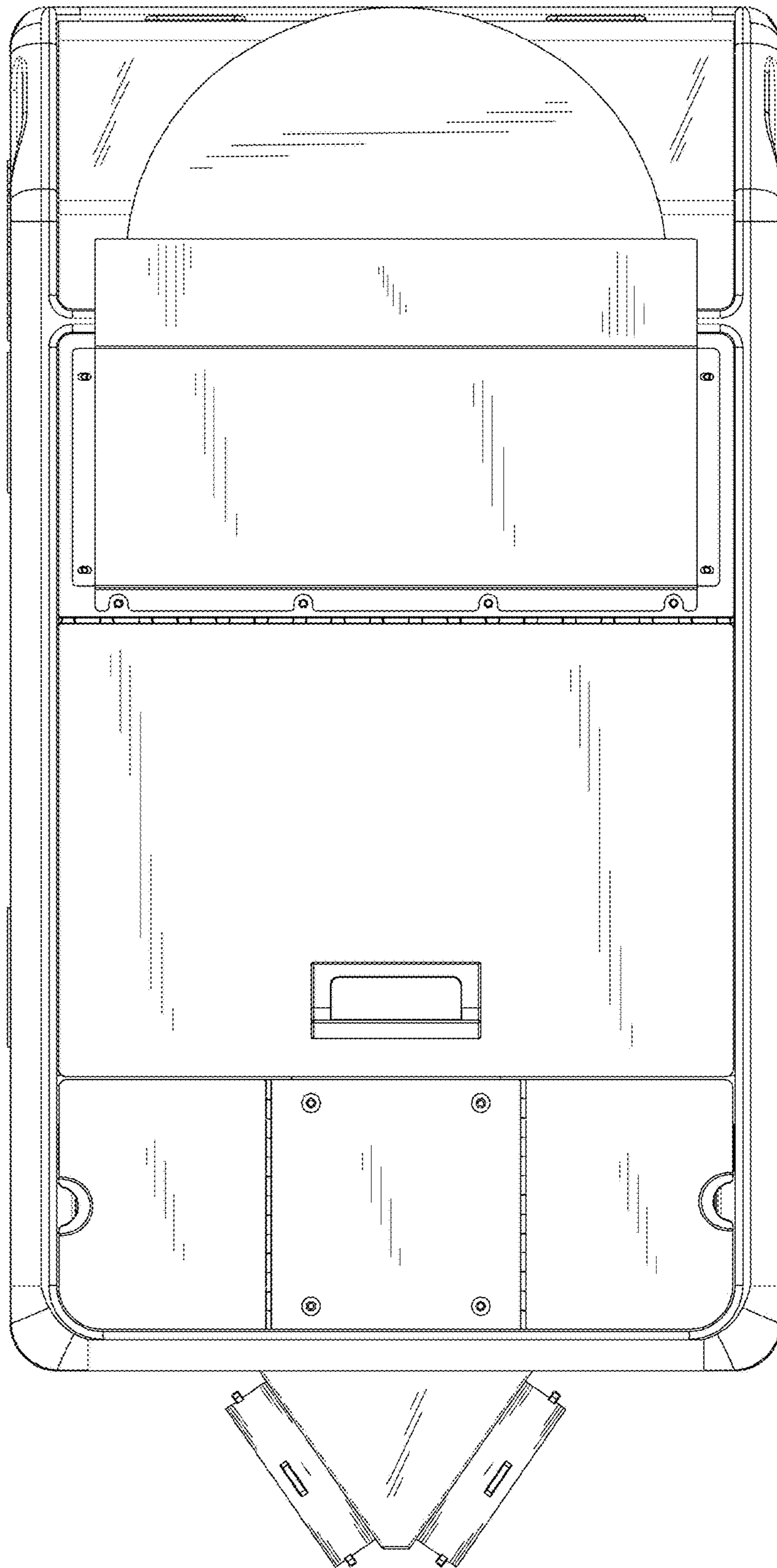


Fig. 5

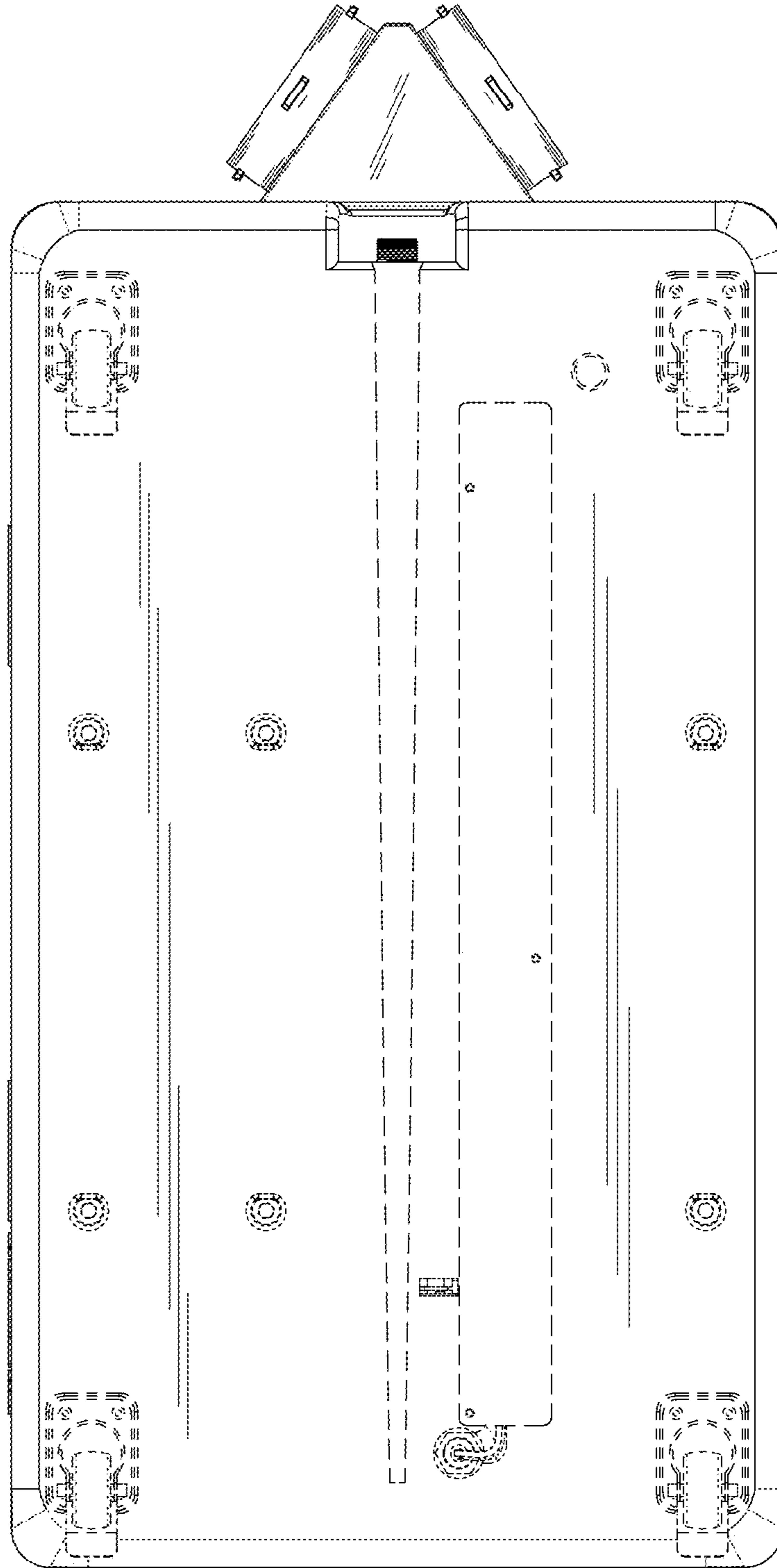


Fig.6

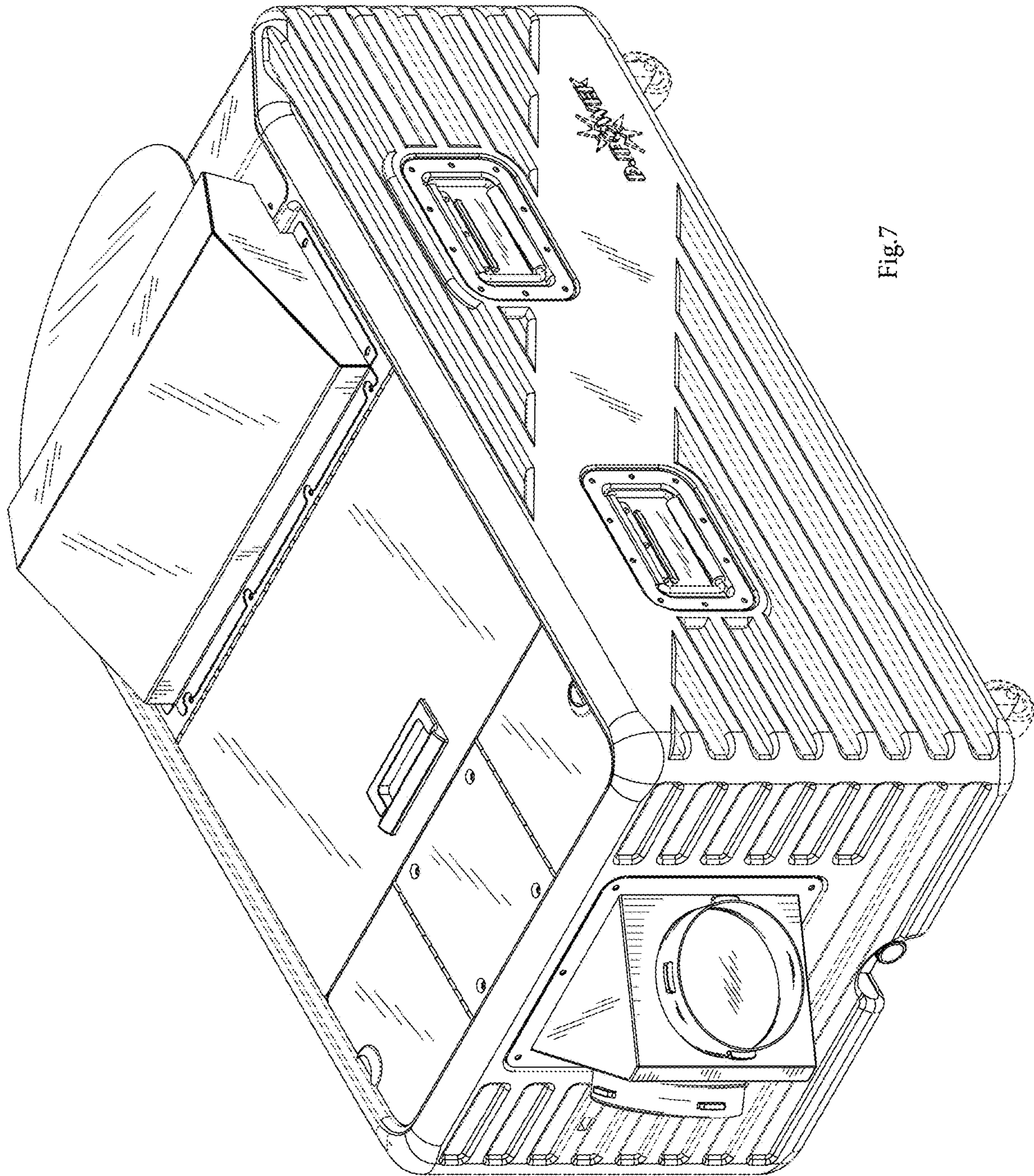


Fig. 7



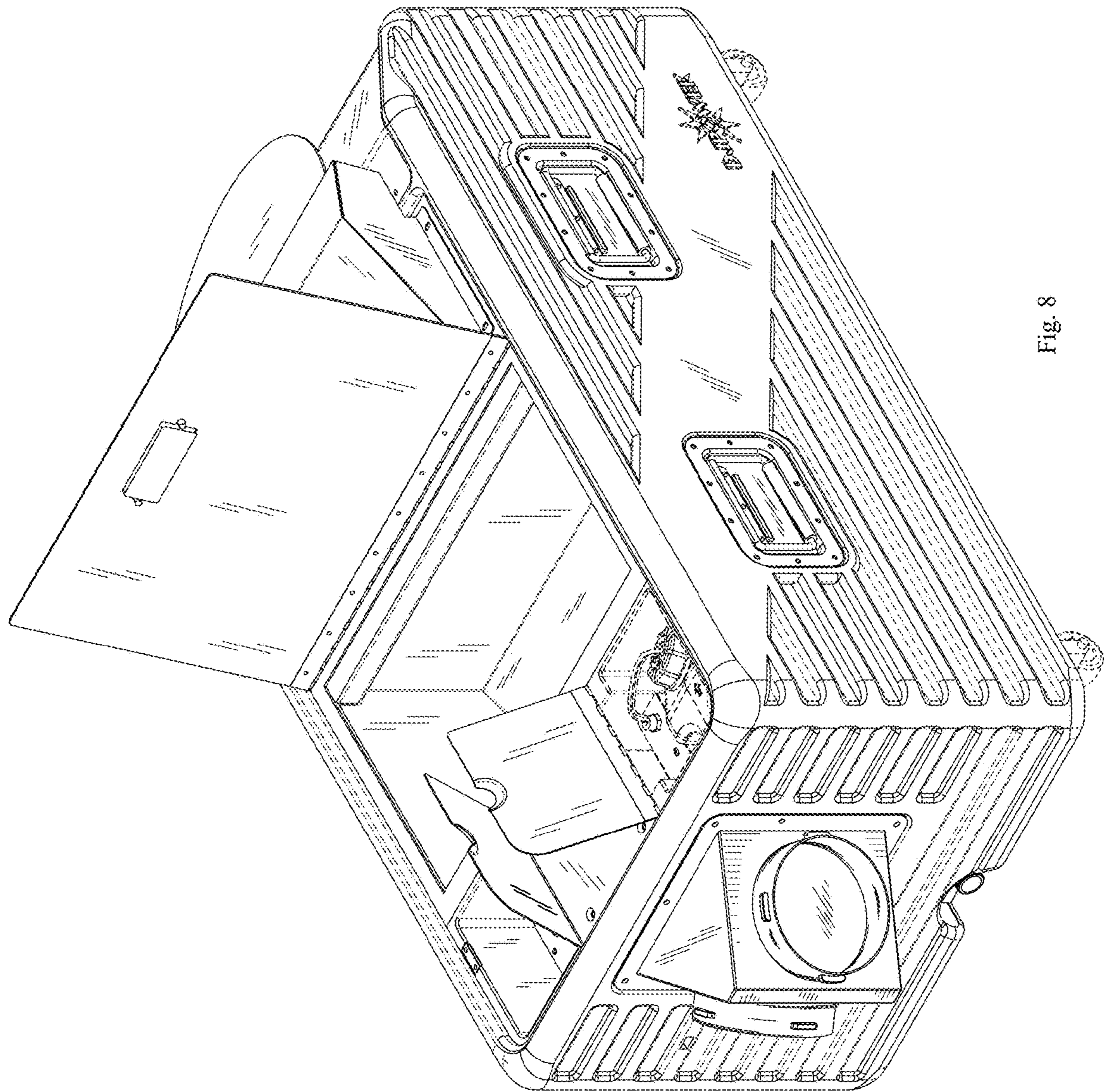


Fig. 8