



US00D907739S

(12) **United States Design Patent**
Kruger et al.

(10) **Patent No.:** **US D907,739 S**
(45) **Date of Patent:** **** Jan. 12, 2021**

- (54) **DETONATOR MODULE**
- (71) Applicant: **DETNET SOUTH AFRICA (PTY) LTD**, Sandton (ZA)
- (72) Inventors: **Michiel Jacobus Kruger**, Sandton (ZA); **Christopher Malcolm Birkin**, Sandton (ZA); **Andre Louis Koekemoer**, Sandton (ZA); **Richard Joseph Michna**, Barkhamsted, CT (US); **Daniel Auguste Maurissens**, Sandton (ZA)
- (73) Assignee: **DETNET SOUTH AFRICA (PTY) LTD**, Sandton (ZA)
- (**) Term: **15 Years**
- (21) Appl. No.: **29/699,788**
- (22) Filed: **Jul. 29, 2019**
- (30) **Foreign Application Priority Data**
Jan. 28, 2019 (ZA) F2019/00130
- (51) **LOC (13) Cl.** **22-03**
- (52) **U.S. Cl.**
USPC **D22/112**
- (58) **Field of Classification Search**
USPC D22/112
CPC C06C 7/02; C06C 7/00; C06C 5/06; C06C 5/04; F42B 3/00; F42B 3/02; F42C 19/08
See application file for complete search history.

- (56) **References Cited**
U.S. PATENT DOCUMENTS
3,580,171 A * 5/1971 Maes C06B 47/08
102/315
5,204,492 A * 4/1993 Jacob C06C 5/06
102/275.12

- 5,499,581 A * 3/1996 Sutula, Jr. C06C 5/06
102/275.12
- 5,747,722 A * 5/1998 Gladden C06C 5/04
102/275.11
- 6,694,886 B1 * 2/2004 Woodall C06C 5/04
102/275.1
- 6,736,068 B1 * 5/2004 Dumenko F42B 3/10
102/205
- D719,236 S * 12/2014 Kilcullen D22/112
- D756,481 S * 5/2016 Kilcullen D22/112
- 10,746,002 B2 * 8/2020 Barker E21B 43/117
- 2004/0055494 A1 * 3/2004 O'Brien C06C 5/06
102/275.12
- 2004/0200372 A1 * 10/2004 Gladden F42B 3/10
102/275
- 2005/0183610 A1 * 8/2005 Barton C06C 7/00
102/275.11
- 2019/0025018 A1 * 1/2019 Frank F42D 1/20

* cited by examiner

Primary Examiner — Michael A. Pratt
(74) *Attorney, Agent, or Firm* — Cantor Colburn LLP

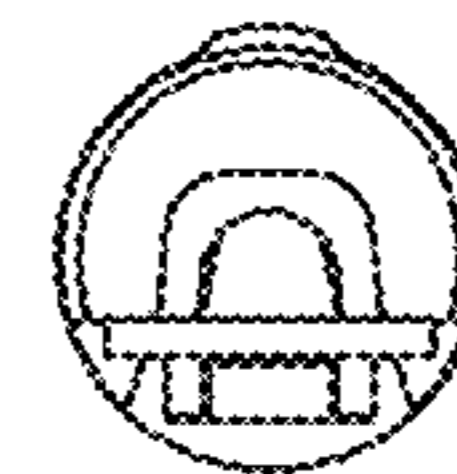
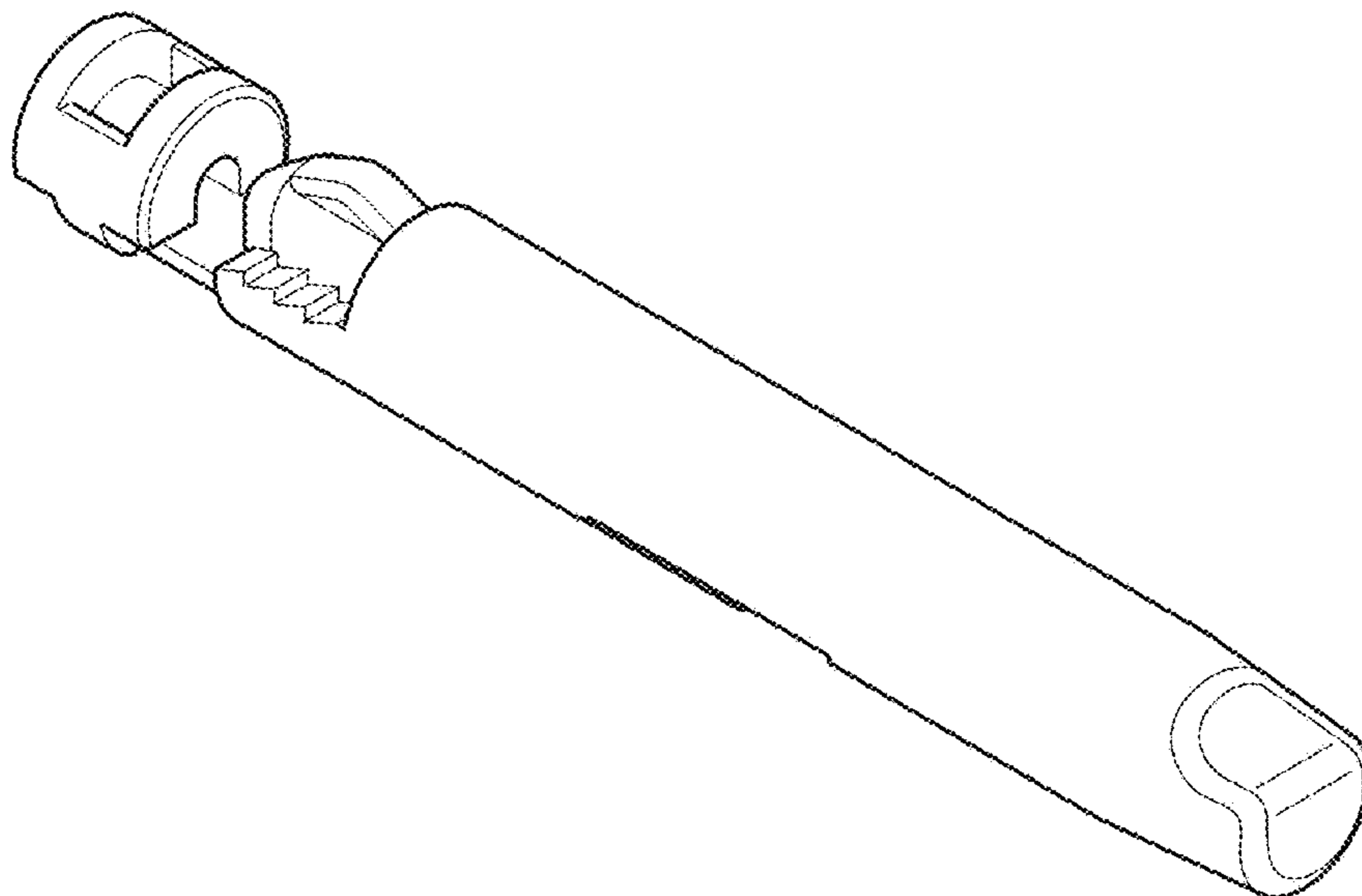
(57) **CLAIM**

We claim, the ornamental design for a detonator module, as shown and described.

DESCRIPTION

FIG. 1 is a perspective view of a detonator module according to the new design;
FIG. 2 is a top-plan view of the detonator module of FIG. 1;
FIG. 3 is a view from a first side of the detonator module of FIG. 1;
FIG. 4 is a view from an opposing second side of the detonator module of FIG. 1;
FIG. 5 is a bottom-plan view of the detonator module of FIG. 1;
FIG. 6 is a view from a first end of the detonator module of FIG. 1; and,
FIG. 7 is a view from an opposing second end of the detonator module of FIG. 1.

1 Claim, 2 Drawing Sheets



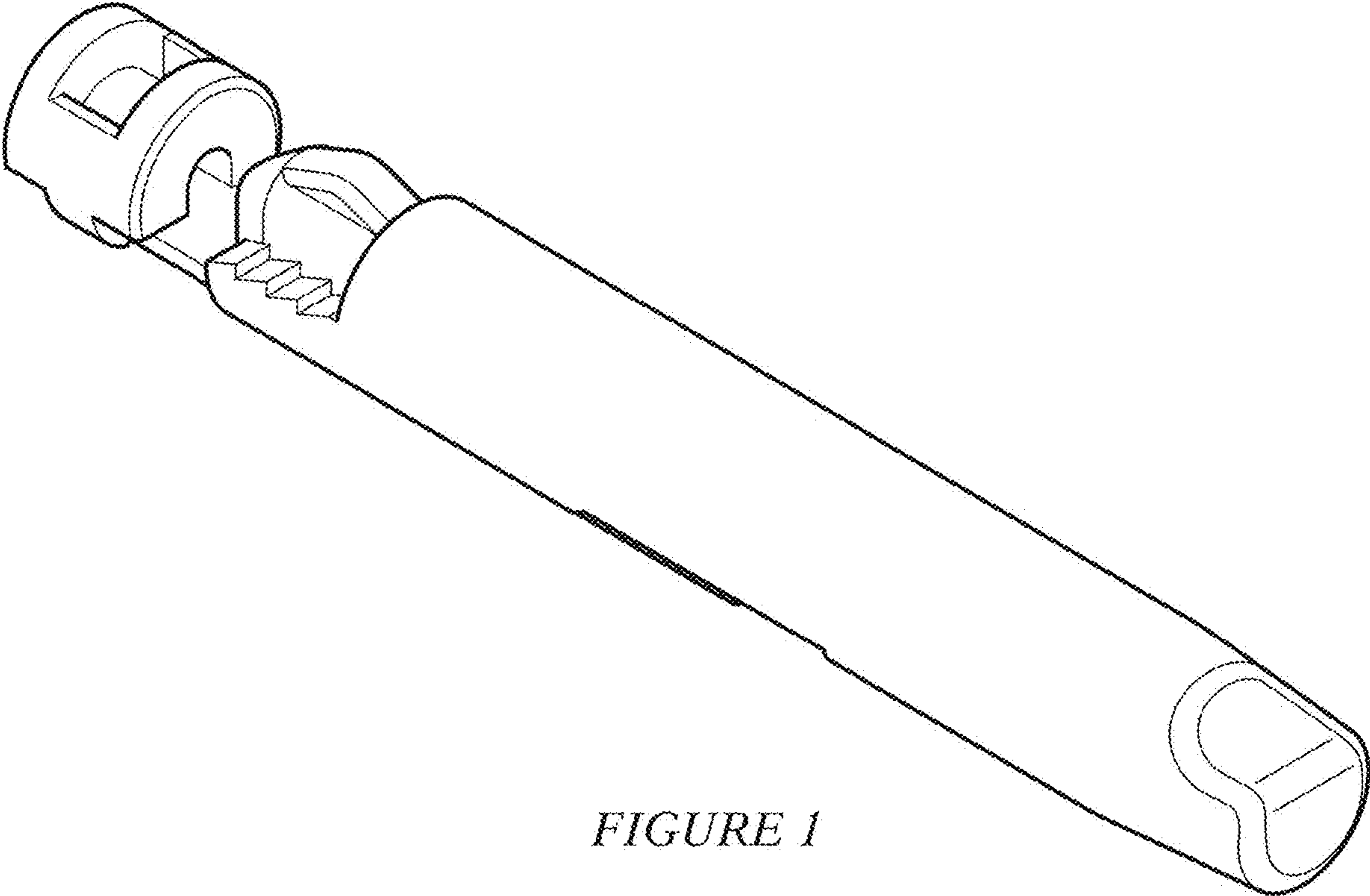


FIGURE 1



FIGURE 2

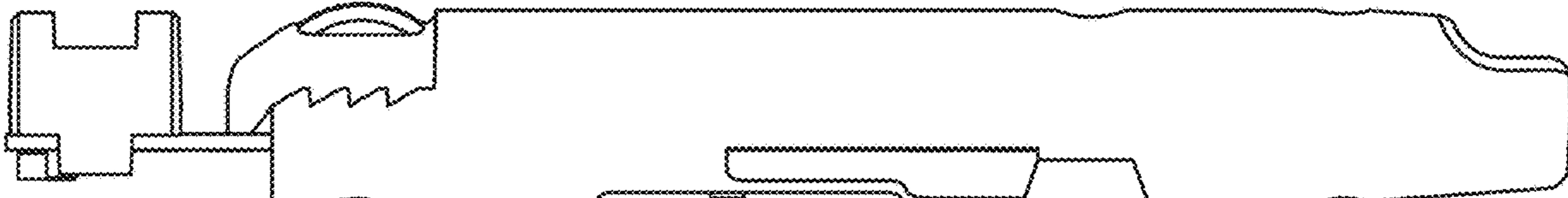


FIGURE 3

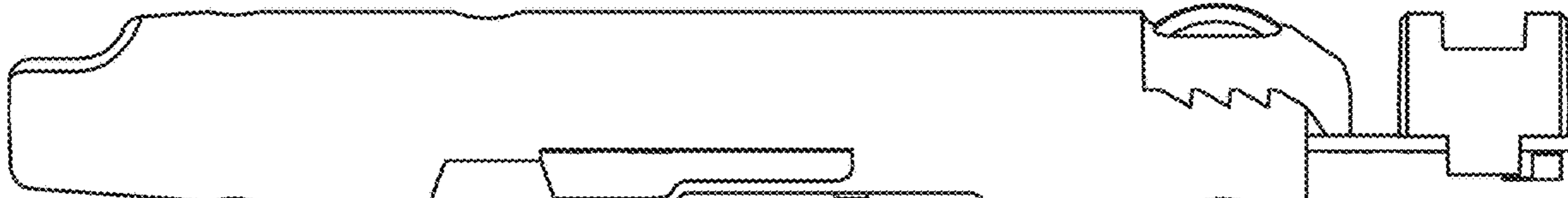


FIGURE 4

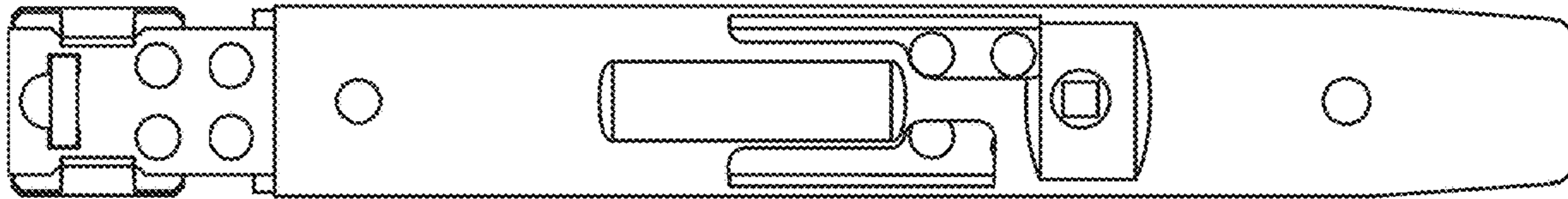


FIGURE 5

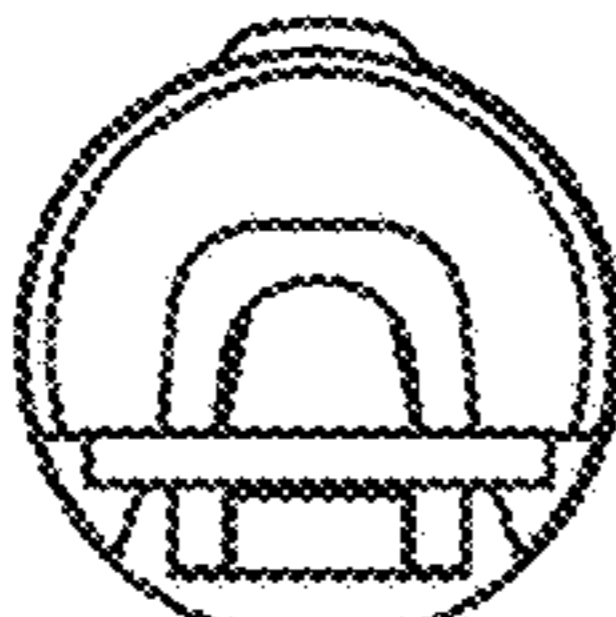


FIGURE 6

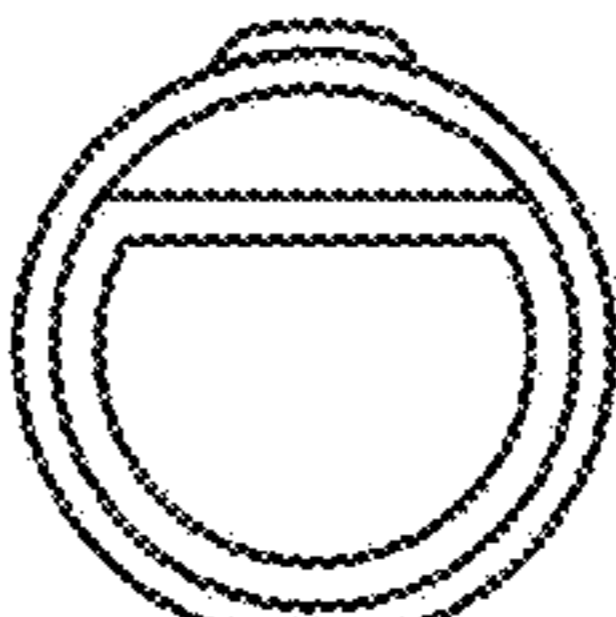


FIGURE 7