



US00D907737S

(12) **United States Design Patent**
Fricke

(10) **Patent No.: US D907,737 S**
(45) **Date of Patent: ** Jan. 12, 2021**

(54) **CHARGING HANDLE**

(71) Applicant: **Tyler Fricke**, Gilbert, AZ (US)

(72) Inventor: **Tyler Fricke**, Gilbert, AZ (US)

(**) Term: **15 Years**

(21) Appl. No.: **29/686,790**

(22) Filed: **Apr. 8, 2019**

(51) **LOC (13) Cl. 22-01**

(52) **U.S. Cl.**
USPC **D22/108**

(58) **Field of Classification Search**
USPC D22/100, 103, 108, 109, 113, 115, 116,
D22/199; D21/302, 567, 573
CPC F41C 7/00; F41C 23/16; F41G 1/02; F41G
1/027; F41G 1/14; F41J 1/10; F42B 6/10;
F42B 7/00; F42B 7/02; F41A 17/38
See application file for complete search history.

(56) **References Cited**

U.S. PATENT DOCUMENTS

D694,354	S	*	11/2013	Underwood	D22/108
D705,383	S	*	5/2014	Montes	D22/108
D726,860	S	*	4/2015	Underwood	D22/108
D738,452	S	*	9/2015	Underwood	D22/108
D749,687	S	*	2/2016	Warensford	D22/108
D772,369	S	*	11/2016	Evans	D22/108
D776,223	S	*	1/2017	Swift	D22/108
D781,988	S	*	3/2017	Geissele	D22/108
D787,624	S	*	5/2017	Novak	D22/108
D794,741	S	*	8/2017	Geissele	D22/108
D798,409	S	*	9/2017	Kincel	D22/108
9,964,371	B1	*	5/2018	Huang	F41A 35/06
D825,021	S	*	8/2018	Novak	D22/108
10,161,697	B1	*	12/2018	Underwood	F41A 3/72
D865,108	S	*	10/2019	Geissele	D22/108
D865,109	S	*	10/2019	Geissele	D22/108
10,451,369	B1	*	10/2019	Hunt	F41A 3/72
D882,714	S	*	4/2020	Iosilevsky	D22/108
D887,518	S	*	6/2020	Fricke	D22/108

D893,662	S	*	8/2020	Shi	D22/108
2011/0214558	A1	*	9/2011	Kincel	F41A 9/00 89/1.4
2011/0226120	A1	*	9/2011	Fitzpatrick	F41A 19/47 89/1.4

(Continued)

OTHER PUBLICATIONS

“Battle Arms Development Rack Ambidextrous Charging Handle”
[online]. Hrachya H. [Published Nov. 16, 2018]. Retrieved from the
Internet: <<https://www.thefirearmblog.com/blog/2018/11/16/battle-arms-development-rack-ambidextrous-charging-handle/>>.*

(Continued)

Primary Examiner — Khawaja Anwar
Assistant Examiner — Mojtaba Tehrani
(74) *Attorney, Agent, or Firm* — Adam R. Stephenson,
Ltd.

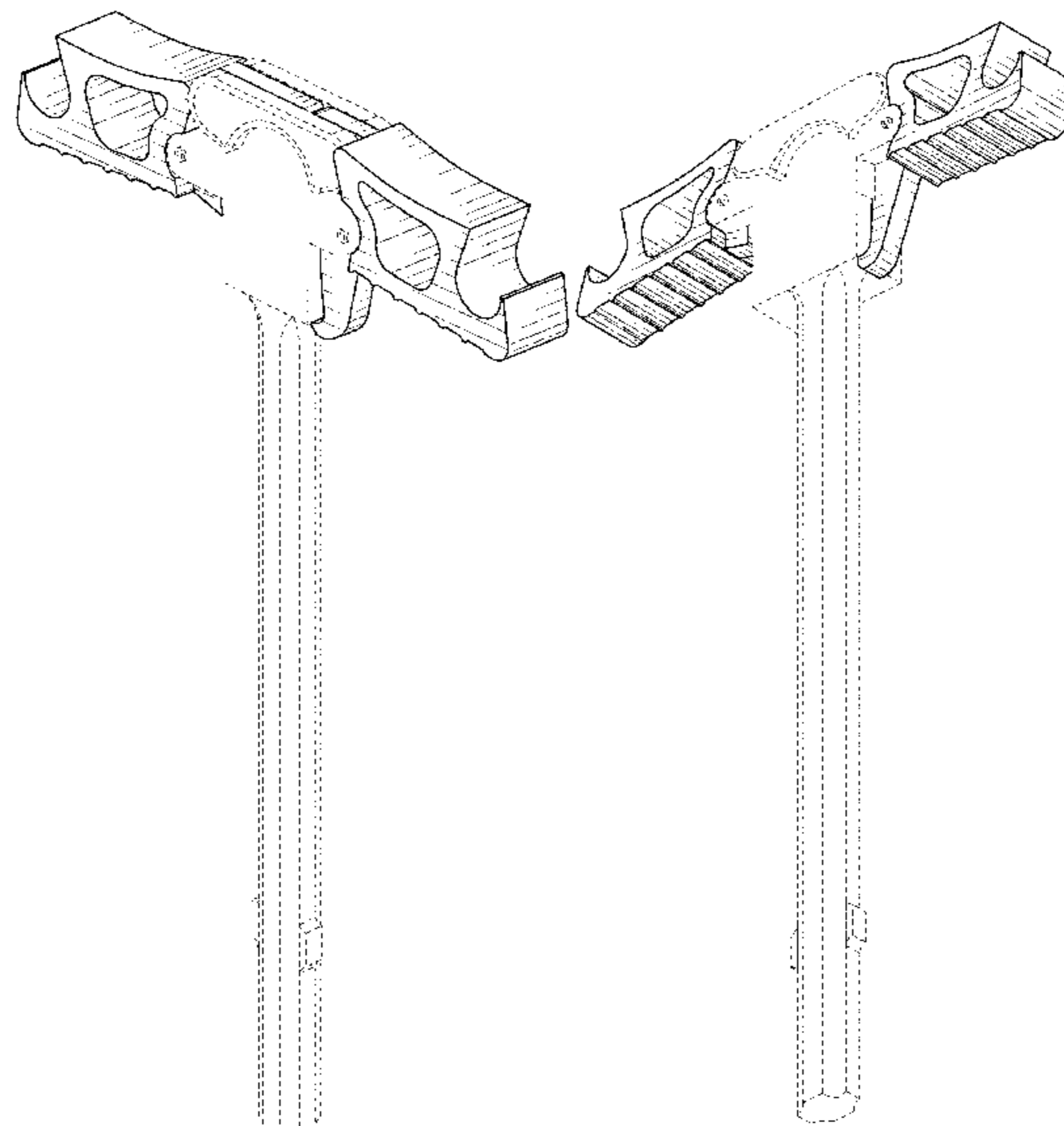
(57) **CLAIM**

The ornamental design for a charging handle, as shown and described.

DESCRIPTION

FIG. 1 is a top, front perspective view of an implementation of a charging handle;
FIG. 2 is a bottom, front perspective view thereof;
FIG. 3 is a left side view thereof, the right side being a mirror image;
FIG. 4 is a right side view thereof, the left side being a mirror image;
FIG. 5 is a front view thereof;
FIG. 6 is a rear view thereof;
FIG. 7 is a top view thereof; and,
FIG. 8 is a bottom view thereof.
All broken lines are directed to environment and are for illustrative purposes only and form no part of the claimed design.

1 Claim, 4 Drawing Sheets



(56)

References Cited

U.S. PATENT DOCUMENTS

2014/0318356 A1* 10/2014 Cupps F41A 3/72
89/1.4
2016/0061542 A1* 3/2016 Daley, Jr. F41A 35/06
89/1.4

OTHER PUBLICATIONS

“Uronen Precision Modular Tactical Charging Handle” [online].
Eric B. [Published Dec. 20, 2016]. Retrieved from the Internet:
<<https://www.thefirearmblog.com/blog/2016/12/20/uronen-precision-modular-tactical-charging-handle/>>.*

* cited by examiner

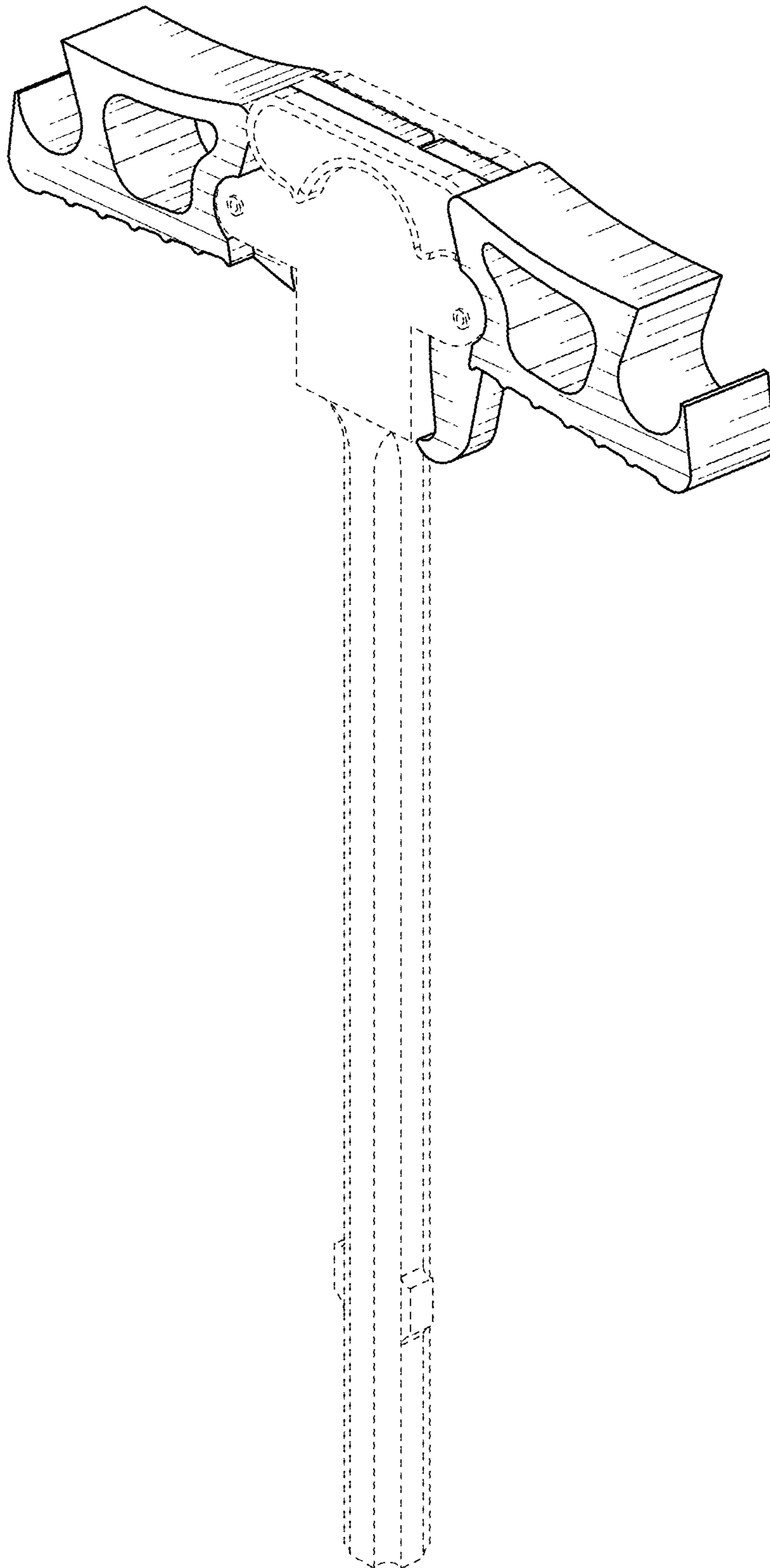


FIG. 1

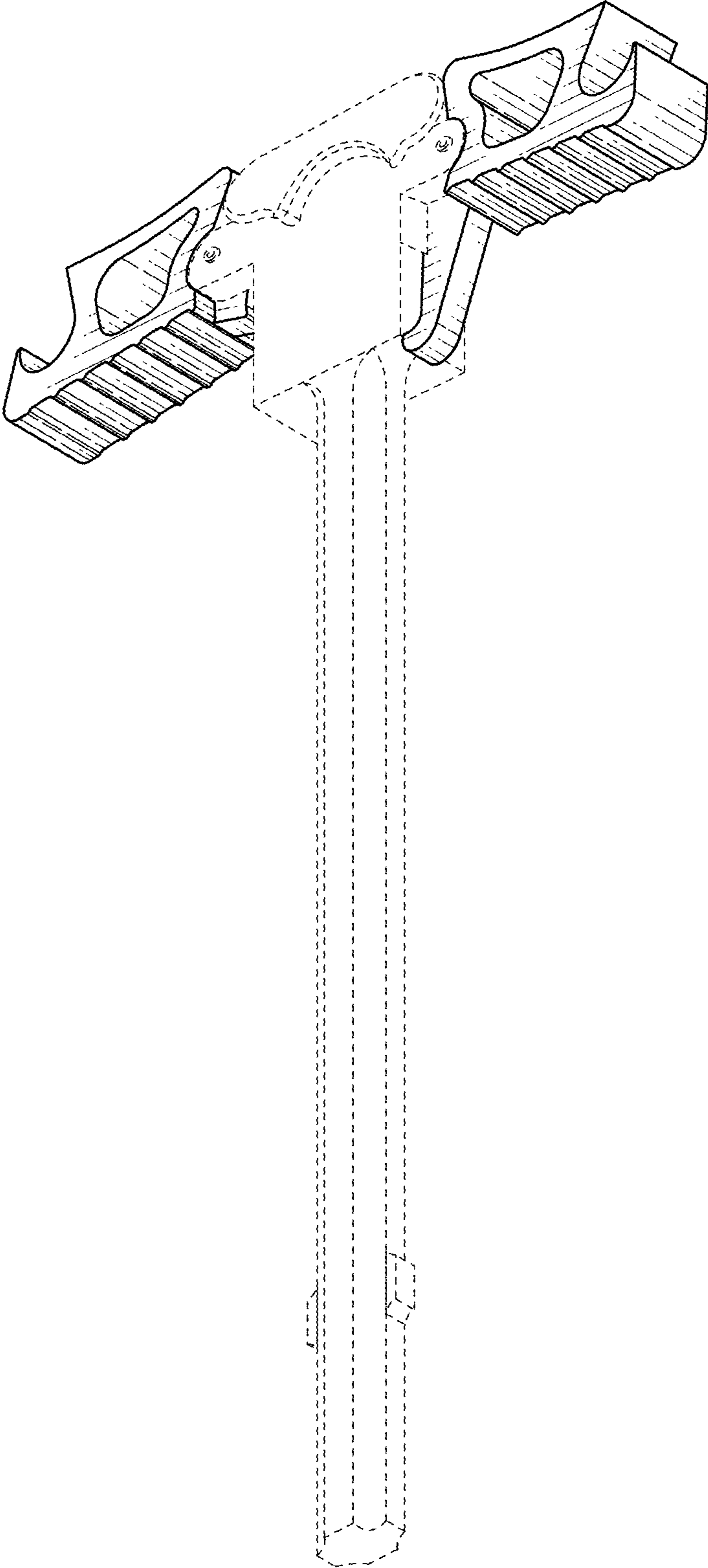


FIG. 2

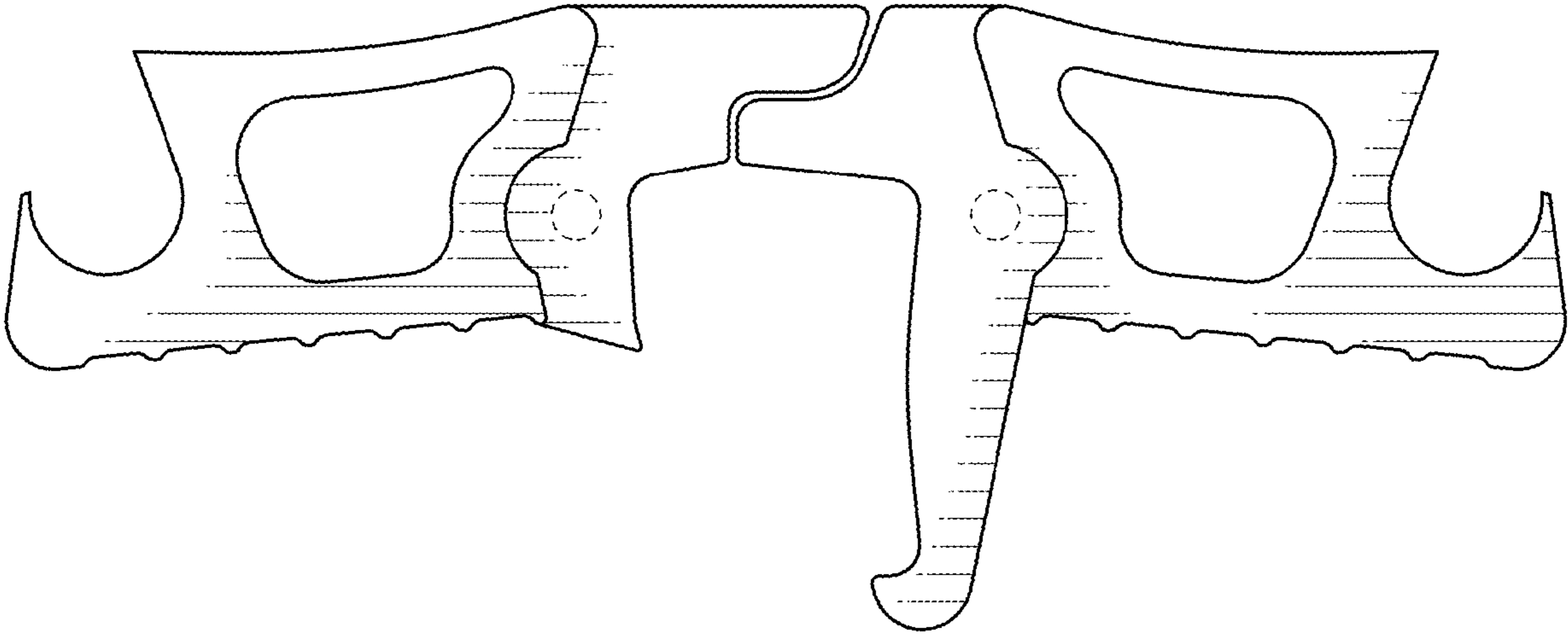


FIG. 3

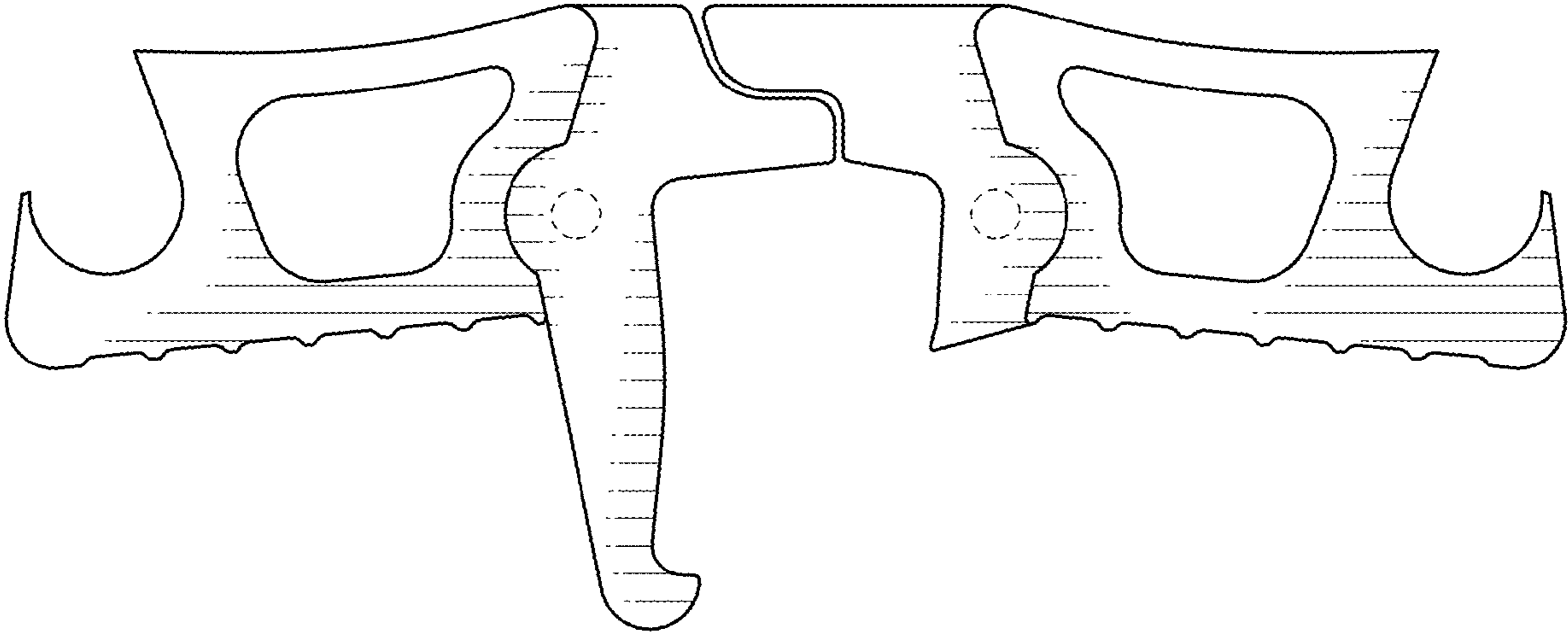


FIG. 4

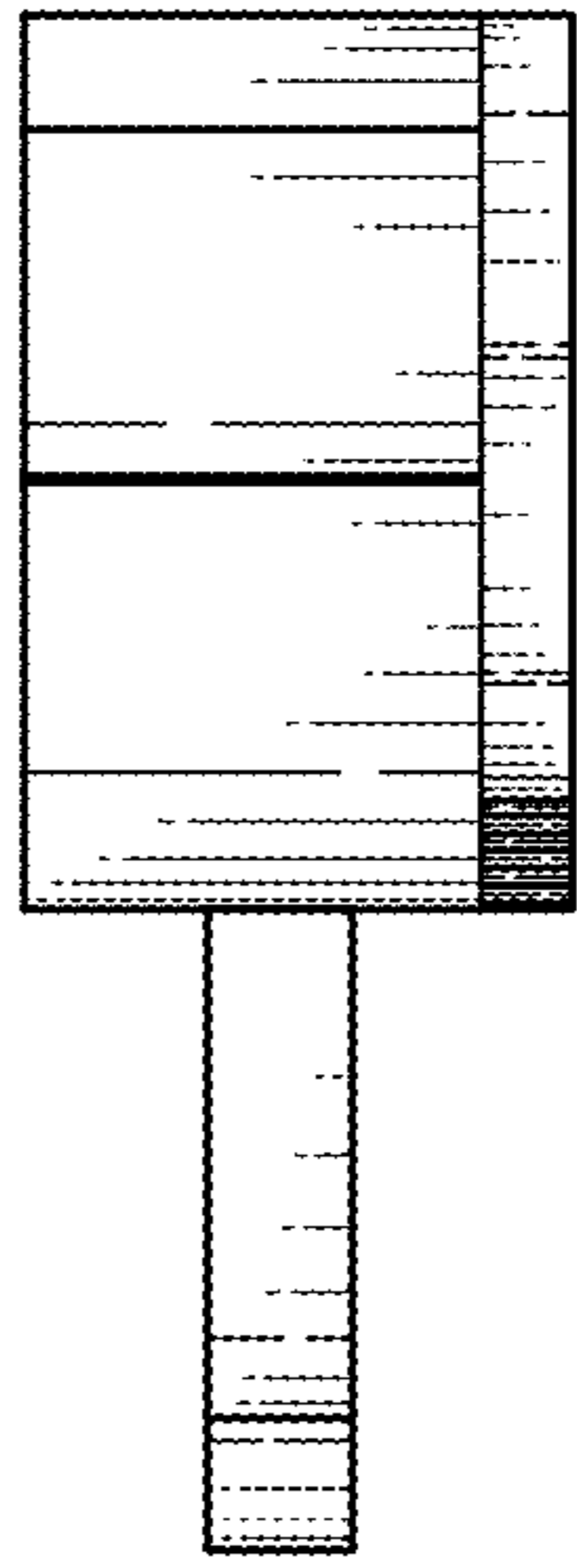


FIG. 5

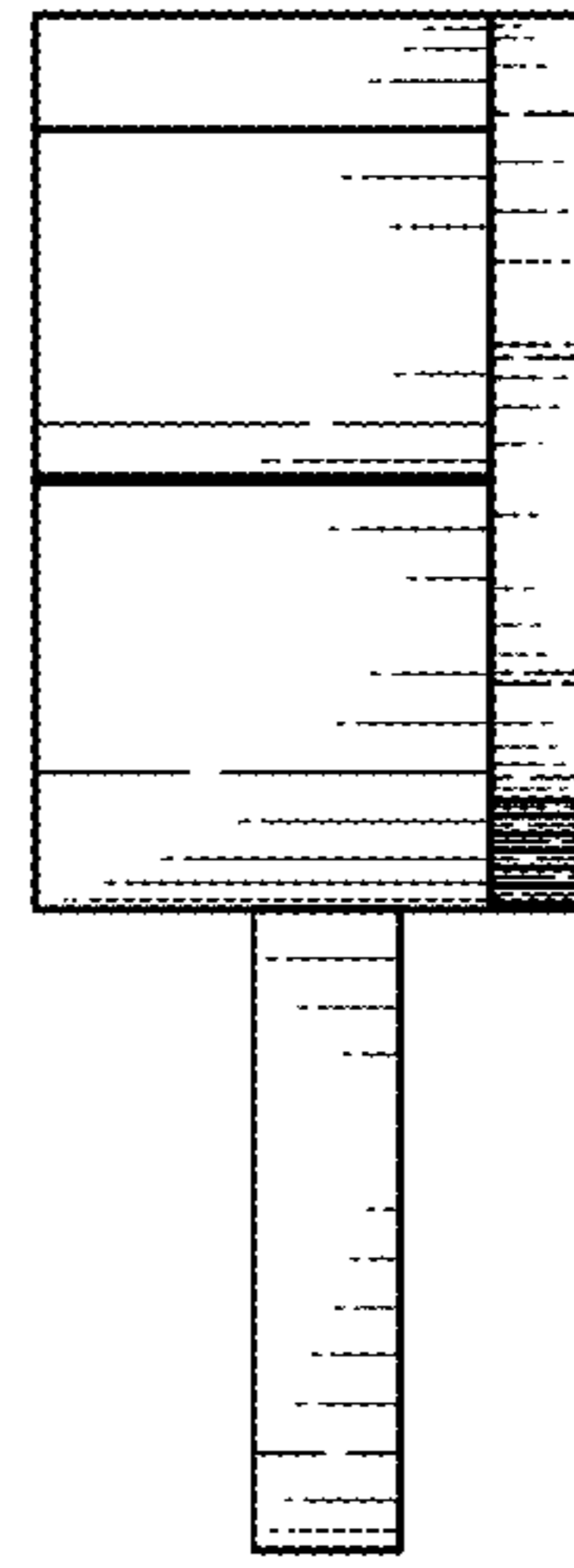


FIG. 6

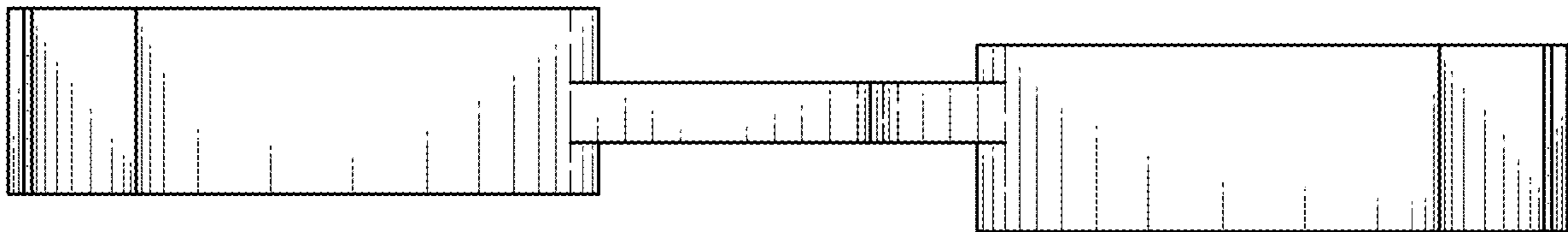


FIG. 7

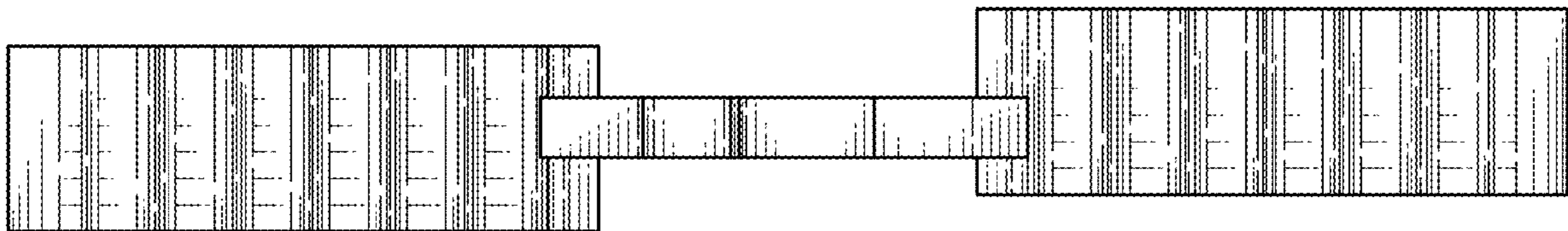


FIG. 8