



US00D907735S

(12) **United States Design Patent Grant**

(10) **Patent No.:** US D907,735 S
(45) **Date of Patent:** ** Jan. 12, 2021

- (54) **BILLIARD POOL RACK**
- (71) Applicant: **Tri-Ball Global Pty Ltd**, Glen Osmond (AU)
- (72) Inventor: **Stephen John Grant**, Beaumont (AU)
- (73) Assignee: **Tri-Ball Global Pty Ltd.**, Glen Osmond (AU)
- (**) Term: **15 Years**
- (21) Appl. No.: **29/748,980**
- (22) Filed: **Sep. 2, 2020**

- D261,283 S * 10/1981 Becker D21/363
- 4,903,965 A * 2/1990 Smith A63D 15/005
473/40
- D328,168 S * 7/1992 Bartle D34/1
- 5,376,054 A * 12/1994 Kwasny A63D 15/005
473/40
- D370,034 S * 5/1996 Kipfer D21/386
- 5,533,636 A * 7/1996 Reiker E04B 9/006
174/66
- 5,556,341 A * 9/1996 Bonn, Jr. A63D 15/005
473/40
- D422,645 S * 4/2000 Albert D21/342
- D432,868 S * 10/2000 Tan D7/584
- D444,508 S * 7/2001 George D21/363
- D472,466 S * 4/2003 Weinstein D9/430
- D529,116 S * 9/2006 Hathcock D21/782
- D529,391 S * 10/2006 Glass D9/559

Related U.S. Application Data

- (63) Continuation-in-part of application No. 29/640,381, filed on Mar. 14, 2018.

Foreign Application Priority Data

- (30) Sep. 14, 2017 (AU) 201715581

- (51) **LOC (13) Cl.** **06-03**
- (52) **U.S. Cl.**

USPC **D21/782**

- (58) **Field of Classification Search**
- USPC D21/313, 363, 367, 473, 782, 784, 790;
D9/434, 435, 504, 529, 570, 743, 744,
D9/749, 759, 760, 768, 771, 782, 787;
D6/303, 309; D11/14, 43; D2/639, 535,
D2/837, 853; 473/42, 44, 48; D7/675
- CPC .. A63D 15/00; A63D 2015/006; A63D 15/10;
A63D 15/105; A63D 15/086; A63D 15/08
- See application file for complete search history.

(56) **References Cited**

U.S. PATENT DOCUMENTS

- D33,714 S * 12/1900 Haskell D21/312
- 1,335,613 A * 3/1920 Selle F16B 35/041
411/368

(Continued)

Primary Examiner — Sandra Snapp
Assistant Examiner — Mehri Bajoul
 (74) *Attorney, Agent, or Firm* — Renner Kenner Greive
 Bobak Taylor & Weber

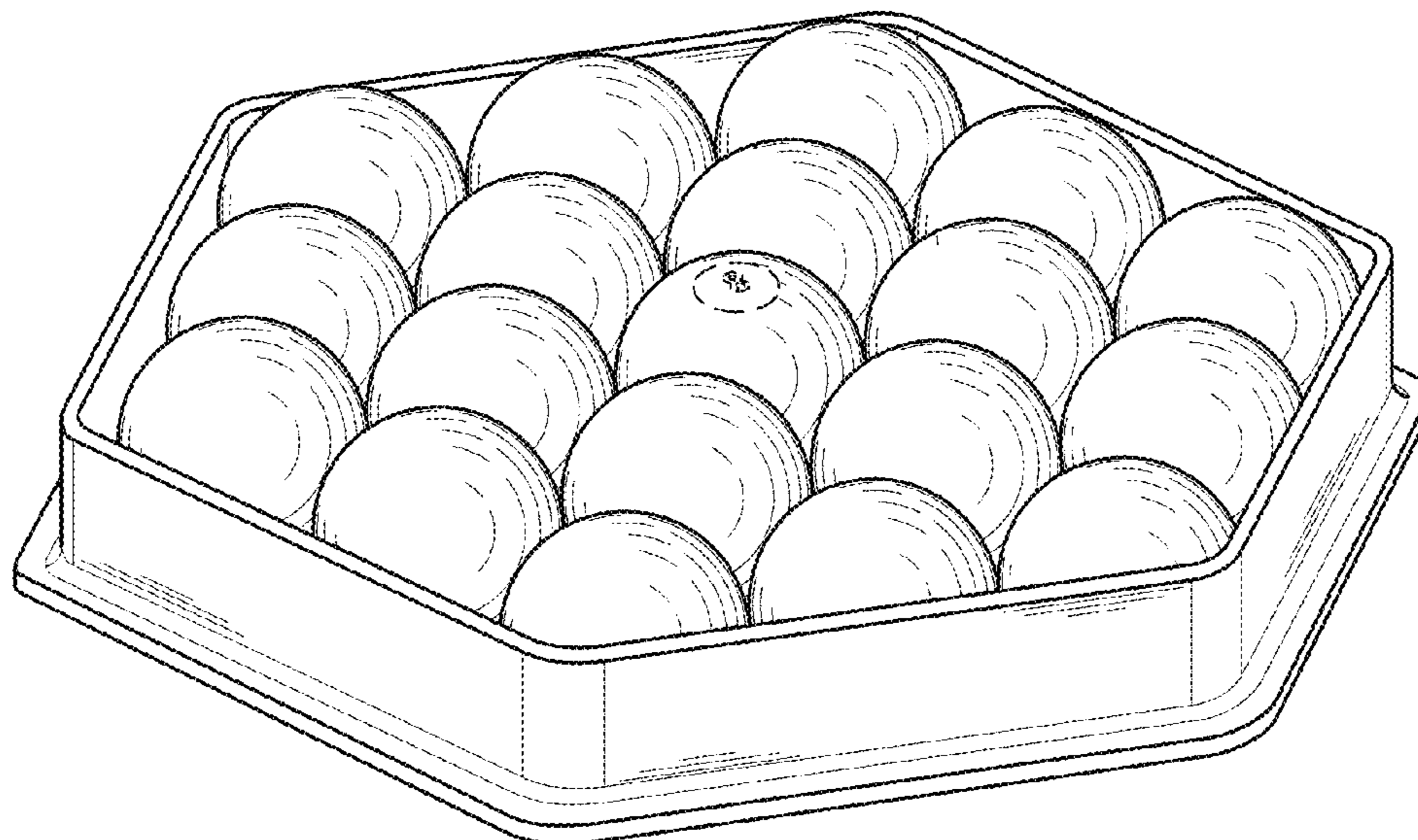
(57) **CLAIM**

The ornamental design for a billiard pool rack, as shown and described.

DESCRIPTION

FIG. 1 is a perspective view of the billiard pool rack;
 FIG. 2 is a top plan view thereof;
 FIG. 3 is a front elevation view thereof, the rear view being identical thereto;
 FIG. 4 is a right-side elevation view thereof, the left-side view being identical thereto; and,
 FIG. 5 is a bottom plan view thereof.
 The broken lines shown in the drawings depict portions of the billiard pool rack that form no part of the claimed design.

1 Claim, 5 Drawing Sheets



(56)

References Cited

U.S. PATENT DOCUMENTS

D578,829 S * 10/2008 Freeman D7/584
D597,409 S * 8/2009 Ruybal D9/529
D655,615 S * 3/2012 Servaire D9/630
D660,373 S * 5/2012 Fuchs D21/363
D661,747 S * 6/2012 Huet, Jr. D21/341
D662,673 S * 6/2012 Stevenson D30/101
D679,148 S * 4/2013 Schwartz D7/629
D702,306 S * 4/2014 Westley D21/782
D747,066 S * 1/2016 Roetheli D1/106
D748,436 S * 2/2016 Kent D7/584
D756,037 S * 5/2016 Schlatter D28/85
D773,565 S * 12/2016 Waldeck D21/386
D786,688 S * 5/2017 Takei D9/560
D791,586 S * 7/2017 Bois D9/529
D808,790 S * 1/2018 Ricci D9/418
D825,811 S * 8/2018 Clark D26/80
D833,272 S * 11/2018 Udomphol D9/429
D840,238 S * 2/2019 Hudson D9/559
D845,762 S * 4/2019 Felsenthal D9/447
D860,787 S * 9/2019 Krokonko D9/435
D863,055 S * 10/2019 Hudson D9/430
2001/0044343 A1 * 11/2001 Rupert A63D 15/005
473/40
2019/0350176 A1 * 11/2019 Perkins A01K 47/06

* cited by examiner

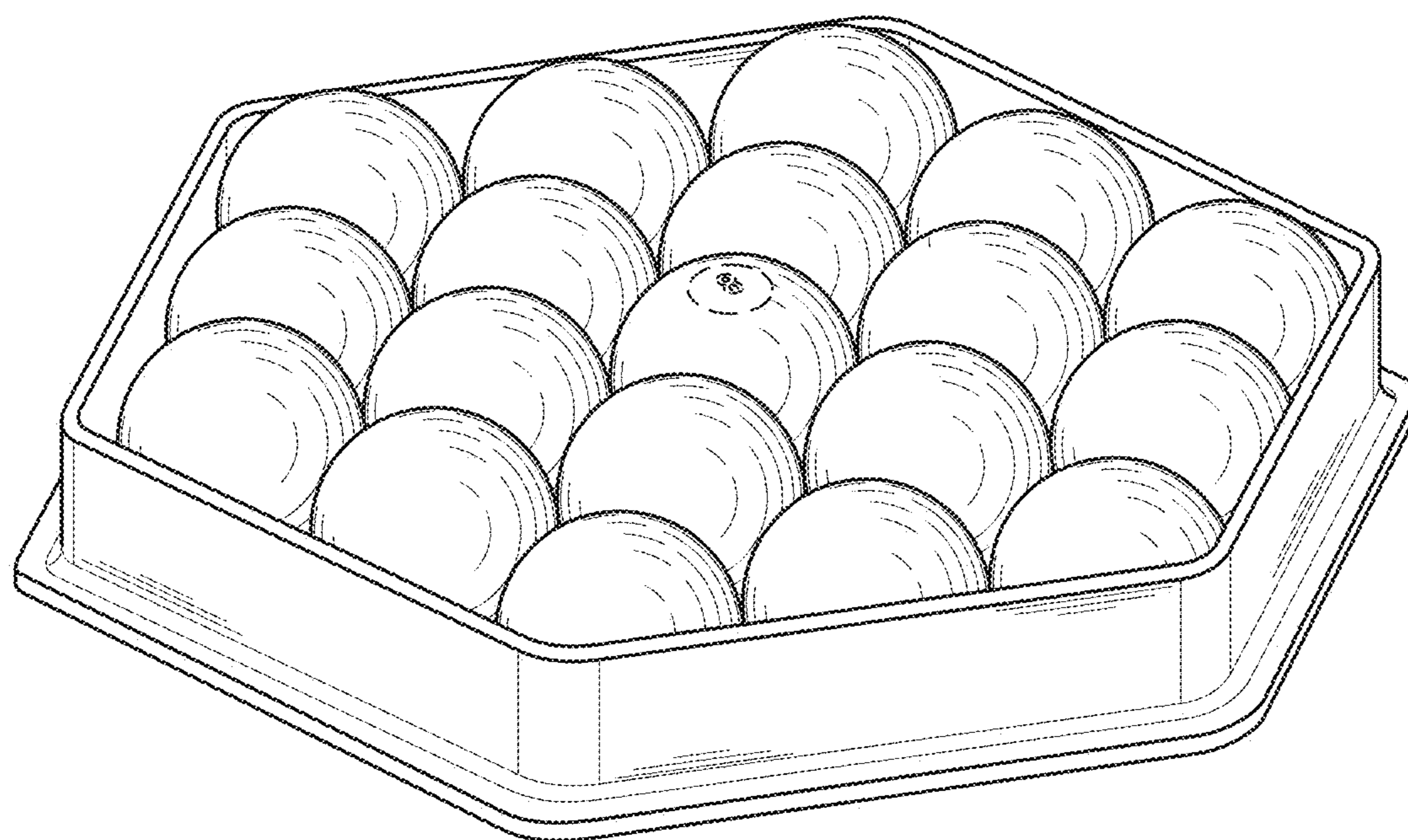


FIG. 1

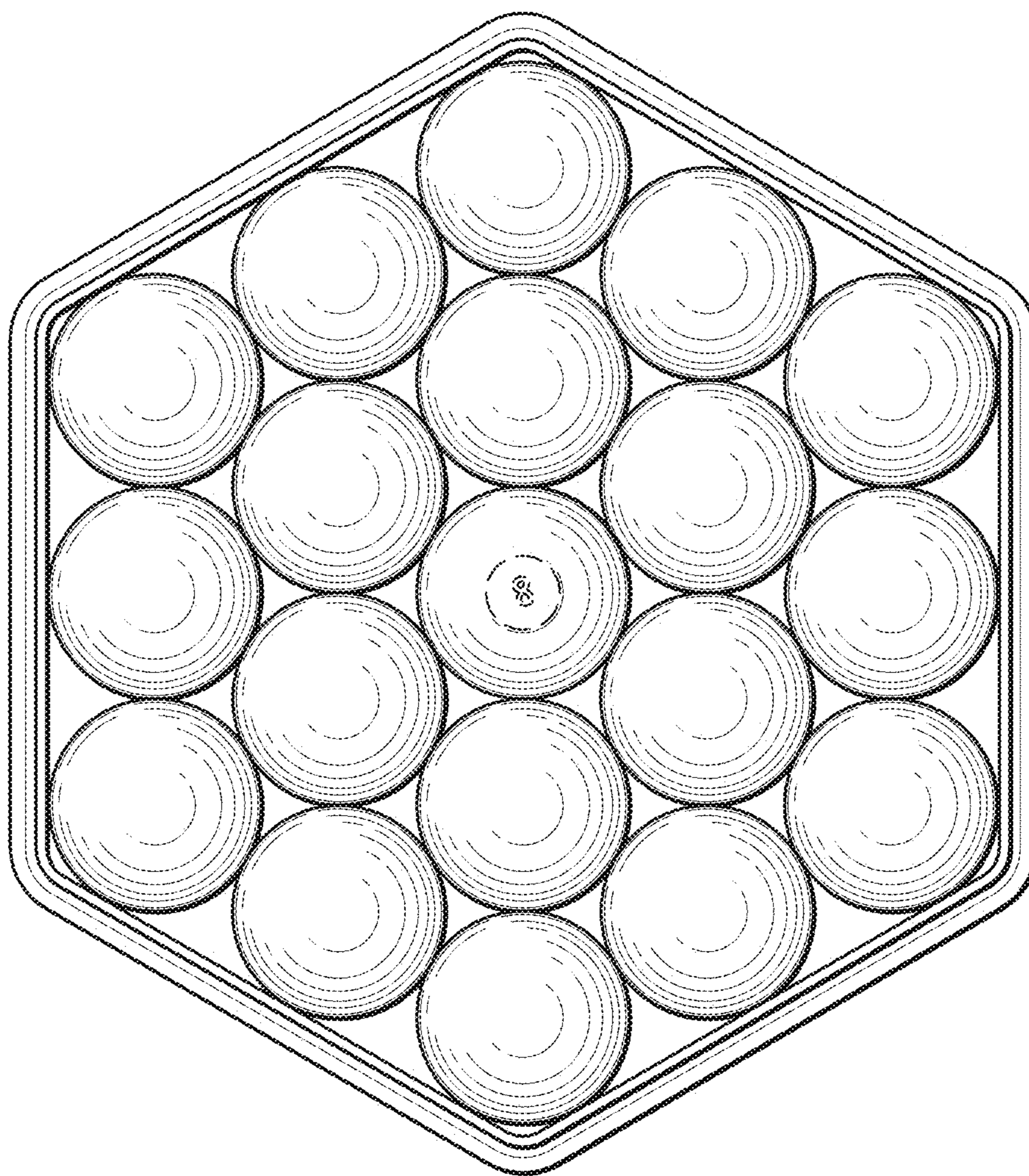


FIG. 2

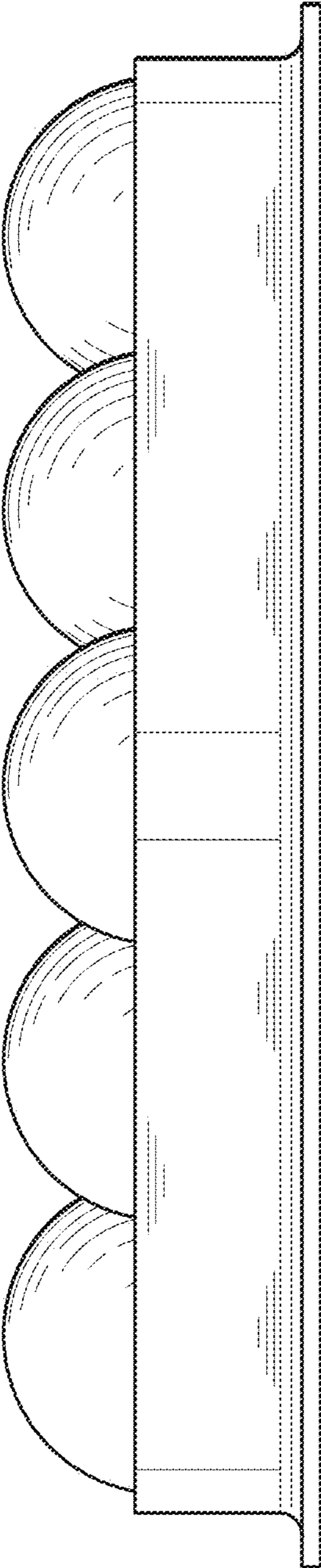


FIG. 3

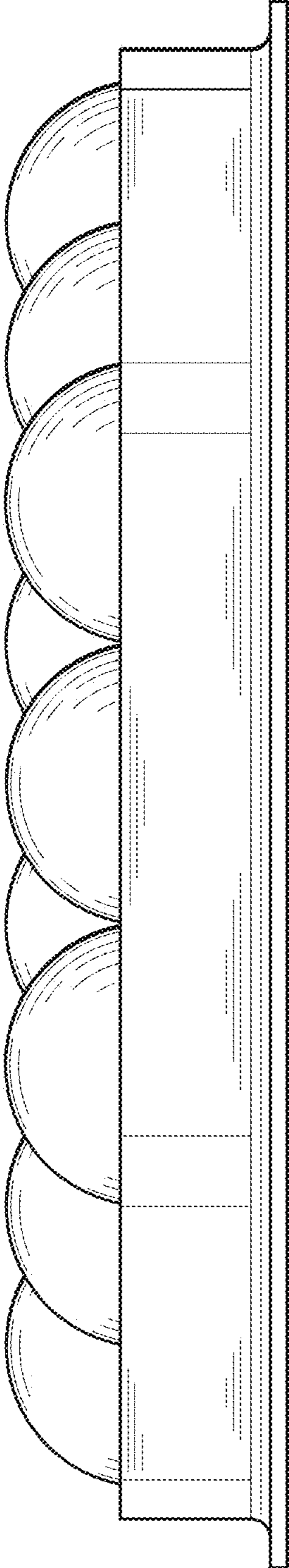


FIG. 4

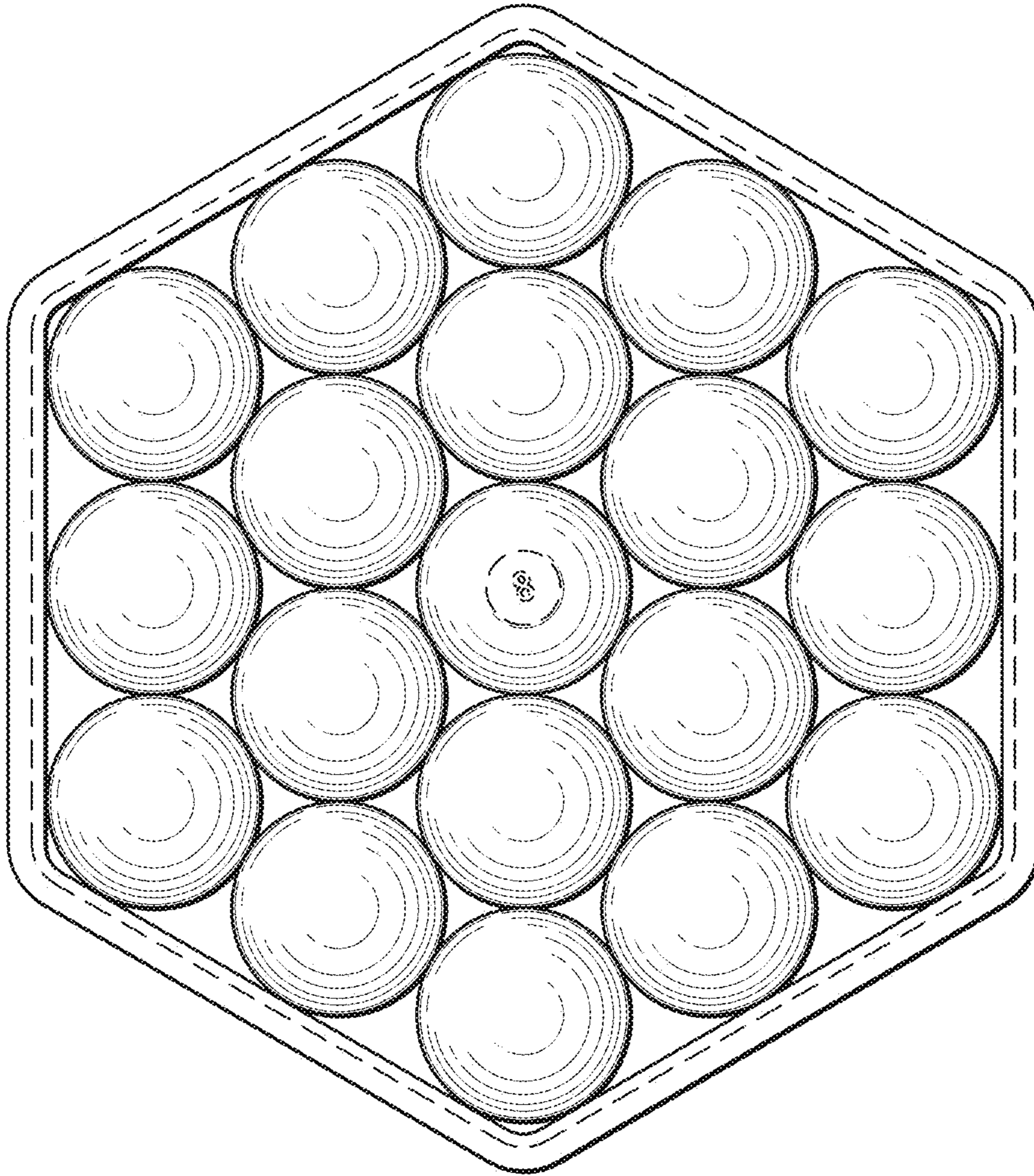


FIG. 5