



US00D907734S

(12) **United States Design Patent** (10) **Patent No.:** **US D907,734 S**
Miller (45) **Date of Patent:** **** Jan. 12, 2021**

(54) **BILLIARD BALL HOLDER**
(71) Applicant: **Stanley W. Miller**, Penrose, CO (US)
(72) Inventor: **Stanley W. Miller**, Penrose, CO (US)
(**) Term: **15 Years**
(21) Appl. No.: **29/687,468**
(22) Filed: **Apr. 12, 2019**
(51) **LOC (13) Cl.** **21-01**
(52) **U.S. Cl.**
USPC **D21/782**
(58) **Field of Classification Search**
USPC D21/686, 691, 695, 696, 782, 796;
D6/320, 334, 349, 408, 546, 552, 655.1,
D6/675, 677.2, 677.5, 288.14, 690, 675.1,
D6/657, 691, 705.6, 716, 716.1, 791;
D14/126
CPC A47B 61/04; A47B 81/068; A47B 3/0818;
A47B 3/087; A47B 17/00; A47B 21/00;
A47B 3/00; F16B 12/18; A47F 5/08
See application file for complete search history.

(56) **References Cited**

U.S. PATENT DOCUMENTS

1,024,155 A 4/1912 Sommers
D138,503 S * 8/1944 Churchill D6/675.4
3,285,428 A * 11/1966 Scheck A47B 57/06
211/191
3,941,378 A 3/1976 Bagley
4,029,313 A 6/1977 Angulo
4,282,977 A * 8/1981 Di Lorenzo F16B 12/18
211/189
D265,445 S * 7/1982 Duggan D6/549
D283,472 S * 4/1986 Wattles D6/675.1
D332,817 S * 1/1993 Mullen D21/782
D342,171 S * 12/1993 McConnell D6/681.2
D354,781 S * 1/1995 Endelman D21/691
D355,005 S * 1/1995 Voohanel, Jr. D21/691
5,617,959 A * 4/1997 Klein A47B 61/04
211/34

D427,814 S * 7/2000 Black D6/690
D429,095 S * 8/2000 Grosfillex D6/675.1
D458,772 S * 6/2002 Klein D6/681.1
D466,337 S * 12/2002 Feng D6/689
D476,167 S * 6/2003 Klein D6/681.1
D485,319 S * 1/2004 Keller D21/726
6,742,662 B1 6/2004 McCormick et al.
D520,239 S * 5/2006 Rand D3/304
7,188,737 B2 3/2007 McCormick et al.
D558,489 S * 1/2008 Christensen D6/691.5

(Continued)

OTHER PUBLICATIONS

“Walker edison furniture”, poste Apr. 11, 2018 [Online], [Retrieved Sep. 8, 2020], from internet: <https://tinyurl.com/y3al6t29>.*

Primary Examiner — Sandra Snapp
Assistant Examiner — Mehri F. Bajoul
(74) *Attorney, Agent, or Firm* — Cramer Patent & Design, PLLC; Aaron R. Cramer

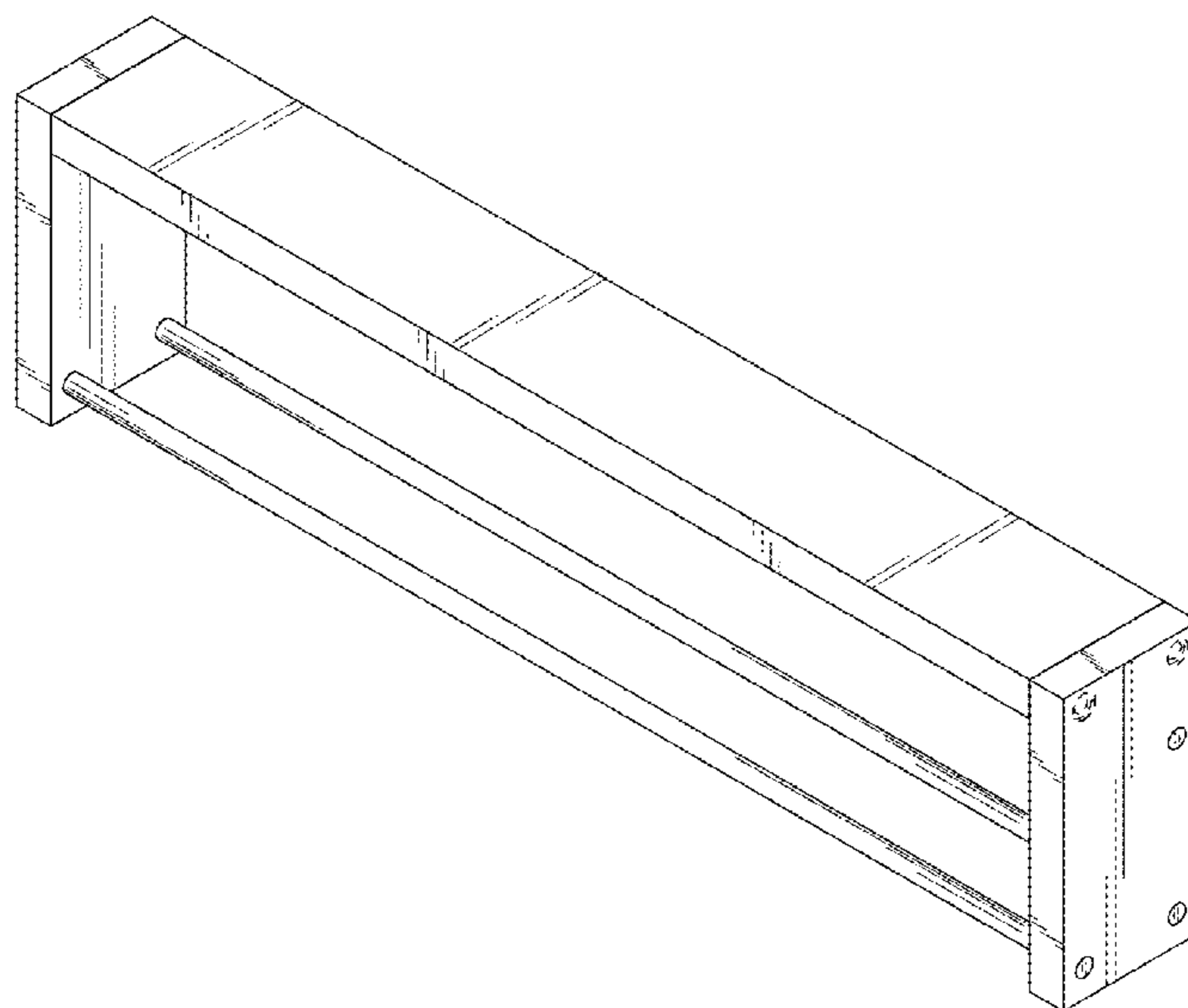
(57) **CLAIM**

The ornamental design for a billiard ball holder, as shown and described.

DESCRIPTION

FIG. 1 is a perspective top front right view of the billiard ball holder, showing my new design;
FIG. 2 is a perspective top rear left view thereof;
FIG. 3 is a front elevation view thereof;
FIG. 4 is a rear elevation view thereof;
FIG. 5 is a right elevation view thereof;
FIG. 6 is a left elevation view thereof;
FIG. 7 is a top plan view thereof; and,
FIG. 8 is a bottom plan view thereof.
The dashed lines shown in the drawings depict fastening apertures of the billiard ball holder that form no part of the claimed design.

1 Claim, 5 Drawing Sheets



(56)

References Cited

U.S. PATENT DOCUMENTS

D567,536	S *	4/2008	Paterson	D6/657
D587,490	S *	3/2009	Siegel	D6/675.2
7,749,090	B2	7/2010	Caron et al.	
8,567,615	B1 *	10/2013	Rainey	A47B 61/04 211/36
D693,610	S *	11/2013	Denby	D6/690
D761,369	S	7/2016	Elsea et al.	
D765,450	S *	9/2016	Biddle	D6/691
D781,086	S *	3/2017	Velez	D6/691
D810,476	S *	2/2018	Heirakuji	D6/675
D815,474	S *	4/2018	Modlin	D6/691.2
D821,788	S *	7/2018	Velez	D6/687
D823,013	S *	7/2018	Burden	D6/349
D855,358	S *	8/2019	Adler	D6/644
D880,879	S *	4/2020	Kirn	D6/349
D882,707	S *	4/2020	Brown	D21/686
D882,992	S *	5/2020	Tio	D6/675
D887,380	S *	6/2020	Lee	D14/126
D895,311	S *	9/2020	Kimmel	D6/349
2009/0082119	A1	3/2009	McCormick	

* cited by examiner

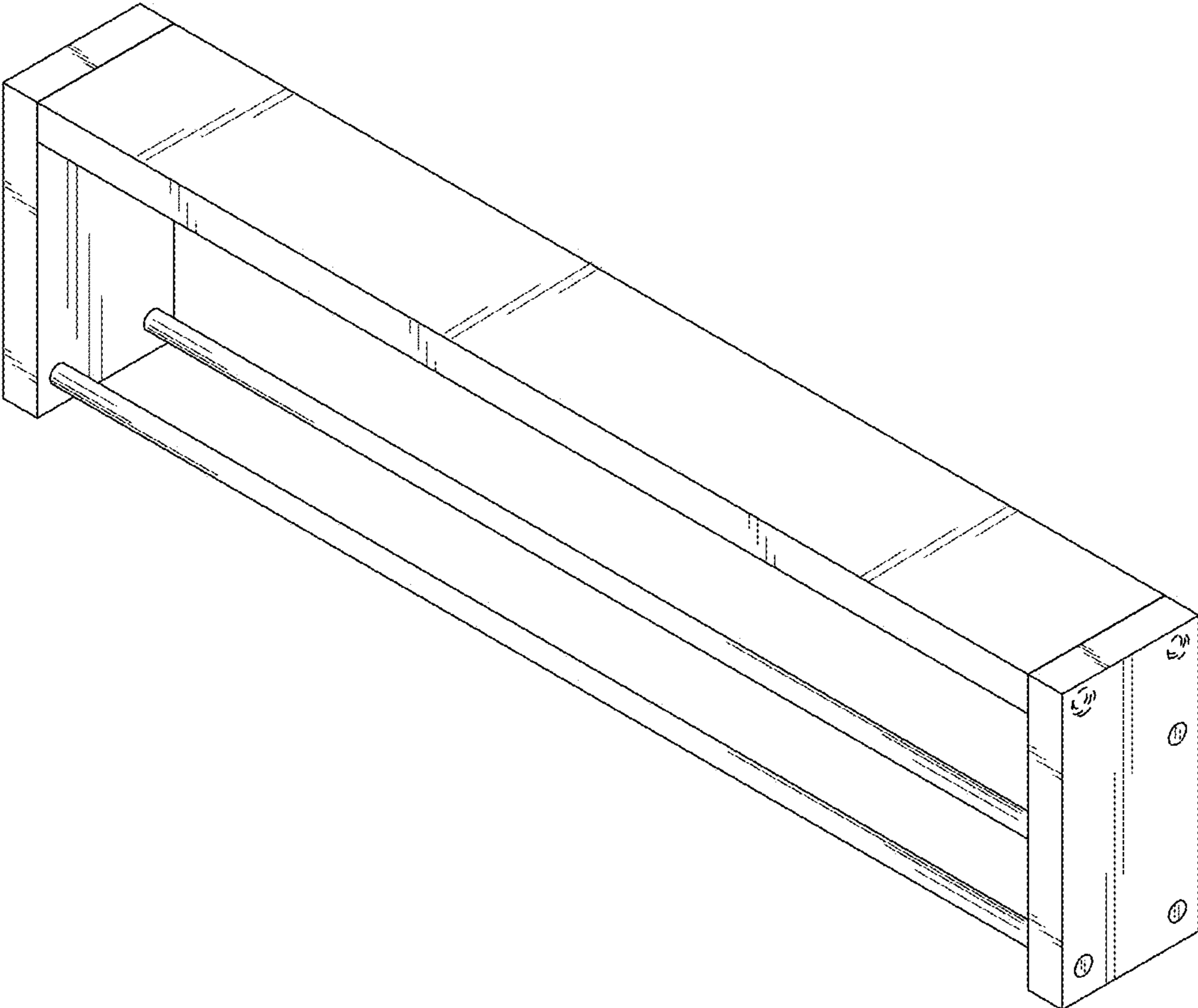


FIG. 1

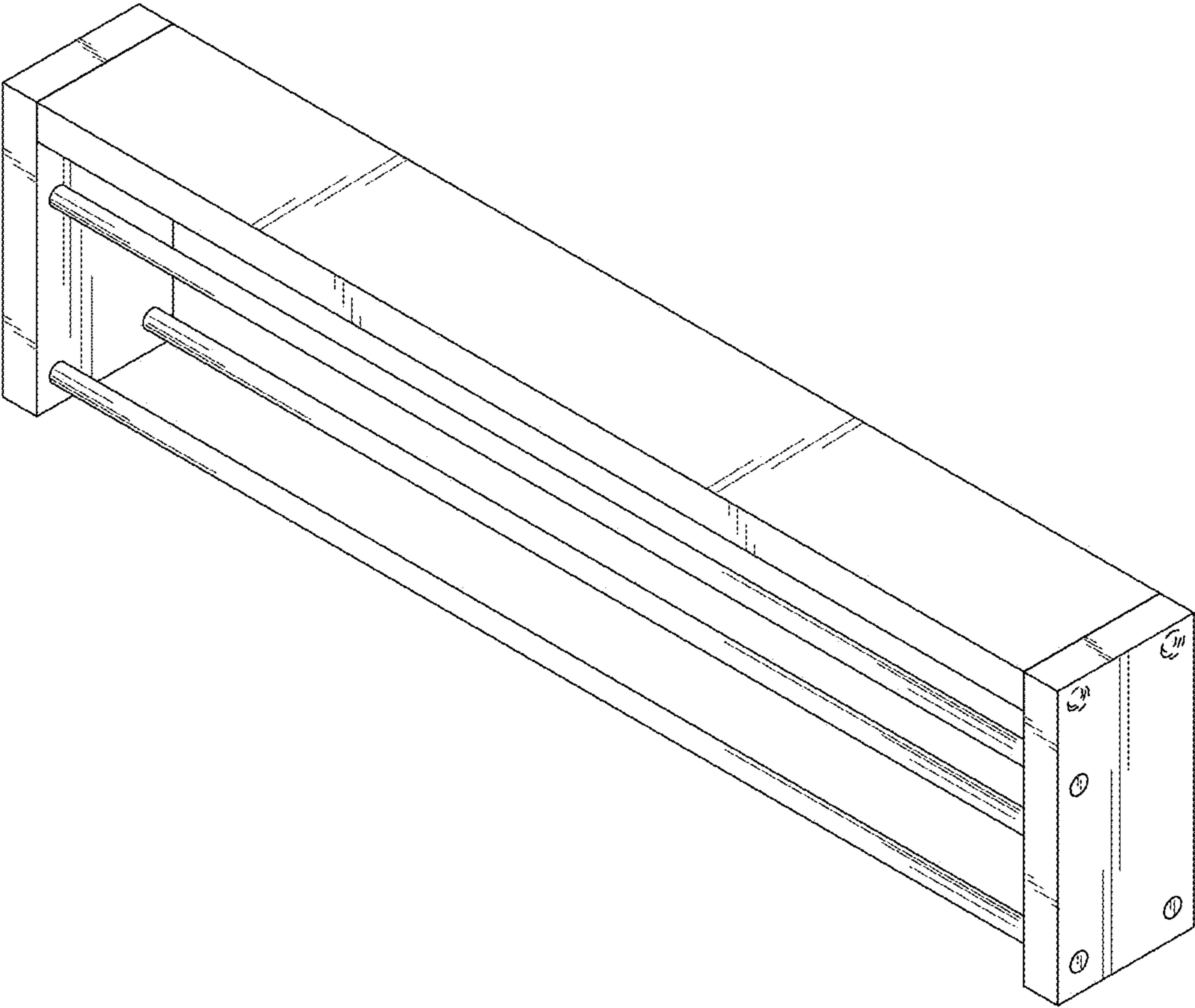


FIG. 2

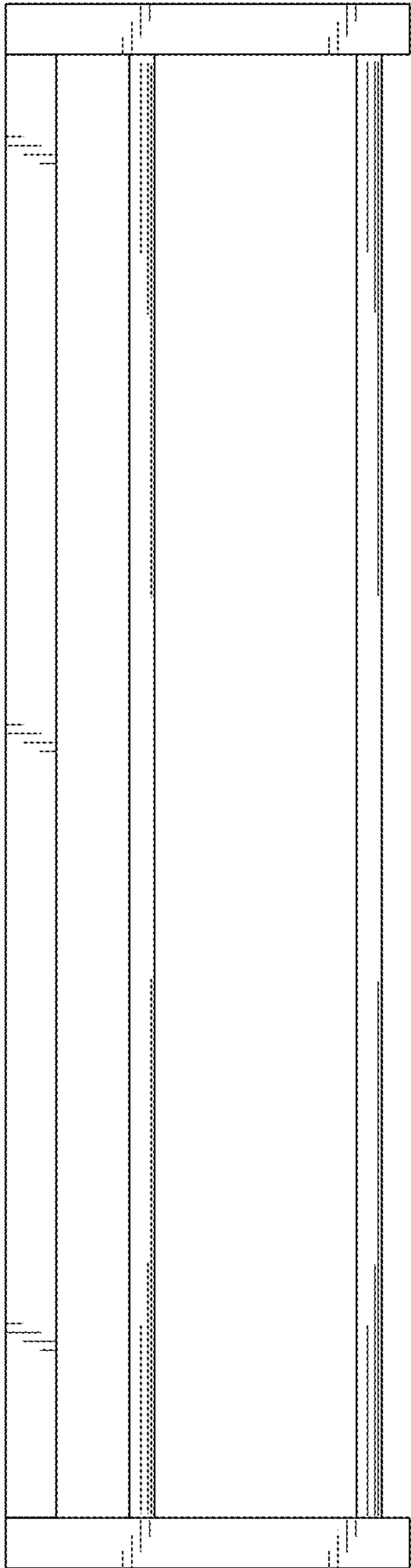


FIG. 3

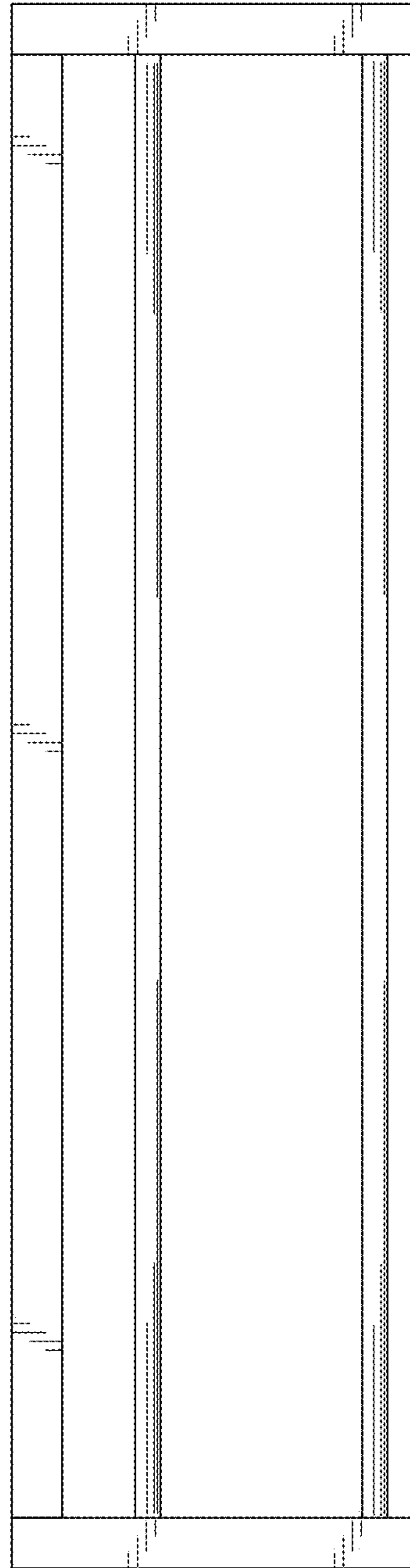


FIG. 4

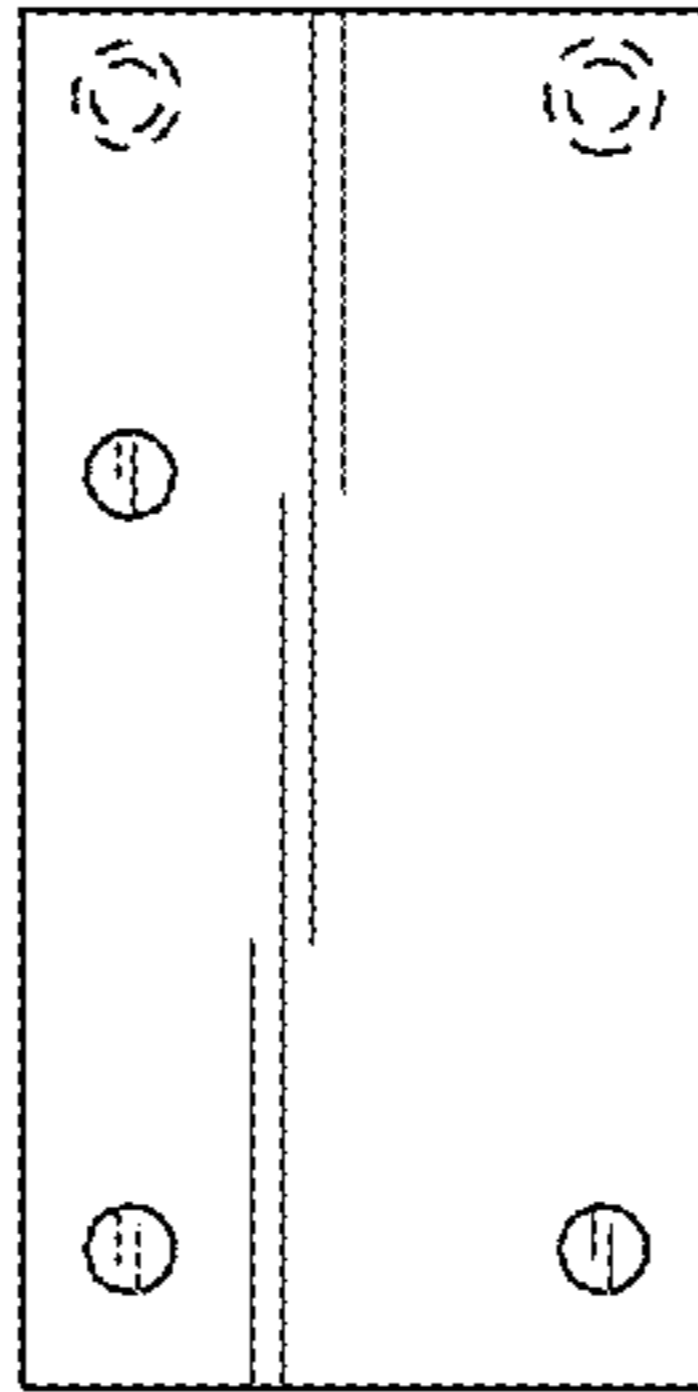


FIG. 5

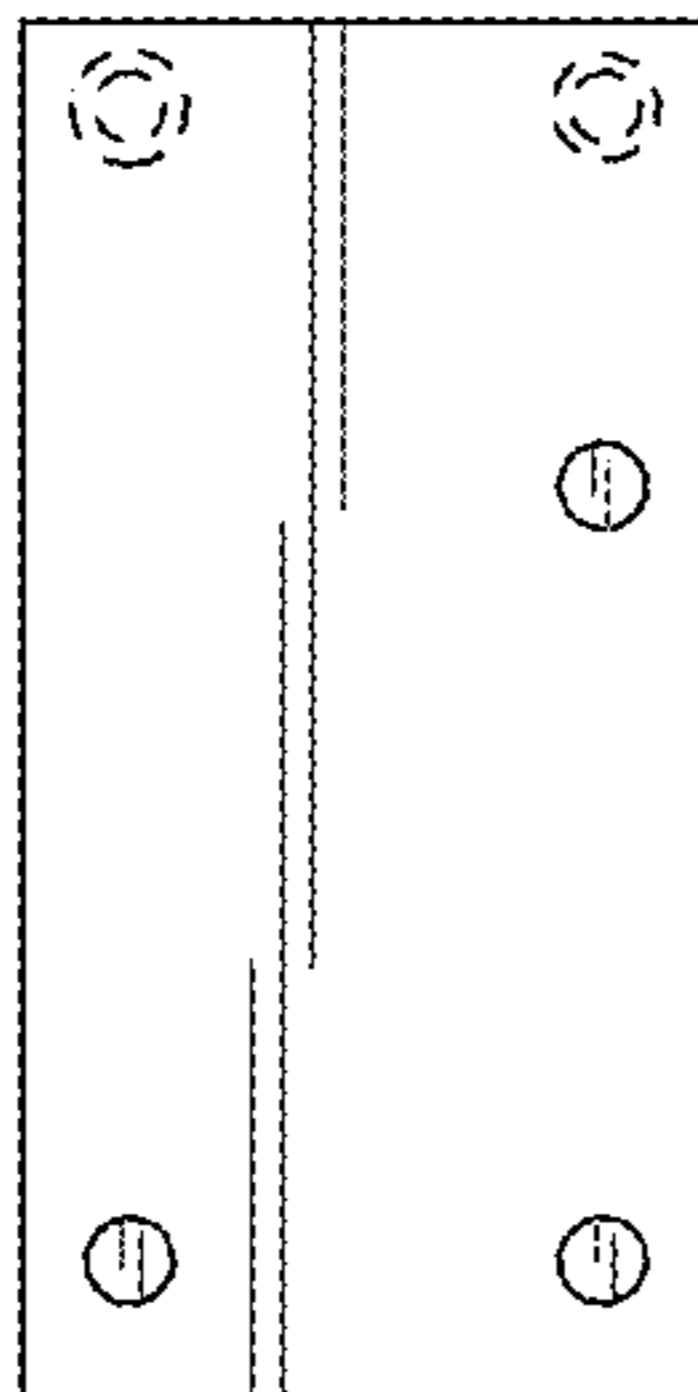


FIG. 6

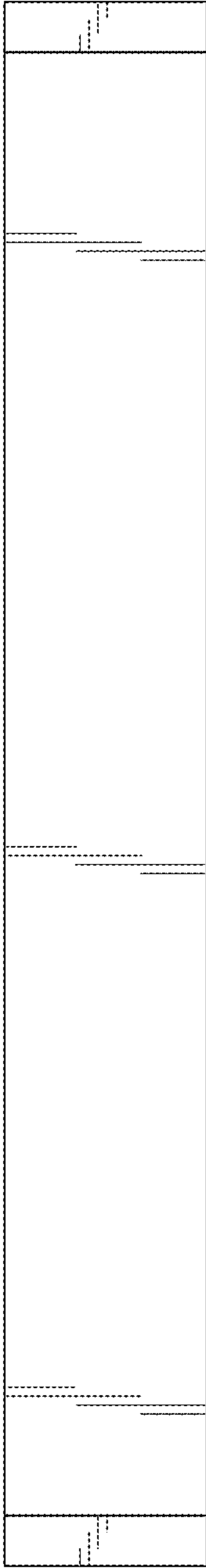


FIG. 7

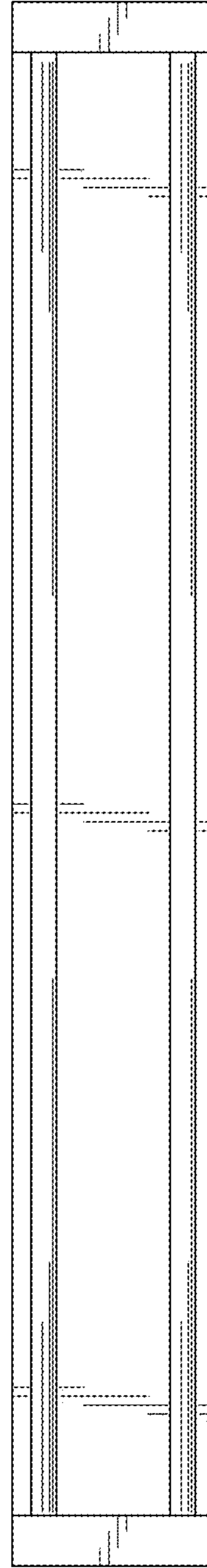


FIG. 8