



US00D907733S

(12) **United States Design Patent**  
**Kwon**

(10) **Patent No.:** **US D907,733 S**  
(45) **Date of Patent:** **\*\* Jan. 12, 2021**

(54) **LIGHT EMITTING WHEEL HUB WITH COVER**

**DESCRIPTION**

- (71) Applicant: **Soon Chang Kwon**, Glendale, CA (US)
- (72) Inventor: **Soon Chang Kwon**, Glendale, CA (US)
- (\*\*) Term: **15 Years**
- (21) Appl. No.: **29/620,609**
- (22) Filed: **Mar. 13, 2017**
- (51) **LOC (13) Cl.** ..... **21-02**
- (52) **U.S. Cl.**  
USPC ..... **D21/779**
- (58) **Field of Classification Search**  
USPC ..... D12/204-213; D21/563, 761-765, 771, D21/779

(Continued)

(56) **References Cited**

**U.S. PATENT DOCUMENTS**

- D380,804 S \* 7/1997 Gulla ..... D12/207
- D397,390 S \* 8/1998 Portzline ..... D12/207

(Continued)

**FOREIGN PATENT DOCUMENTS**

- CN ZL 201630337234.5 12/2016

**OTHER PUBLICATIONS**

[https://www.amazon.com/VAKA-Luminous-BankRoll-Bearings-Installed/dp/B087V5BMS9/ref=sr\\_1\\_21?dchild=1&keywords=light%2Bup%2Bwheel%2Bhub&qid=1589319834&s=sporting-goods&sr=1-21&th=1](https://www.amazon.com/VAKA-Luminous-BankRoll-Bearings-Installed/dp/B087V5BMS9/ref=sr_1_21?dchild=1&keywords=light%2Bup%2Bwheel%2Bhub&qid=1589319834&s=sporting-goods&sr=1-21&th=1) (Year: 2020).\*

*Primary Examiner* — Manpreet S Matharu  
*Assistant Examiner* — Keith J Wilson

(57) **CLAIM**

The ornamental design for a light emitting wheel hub with cover, as shown and described.

FIG. 1 is a front perspective view of a light emitting wheel hub showing my new design;

FIG. 2 is a front perspective view of FIG. 1 light emitting wheel hub with transparent covers for LED light;

FIG. 3 is a rear perspective view of FIG. 1;

FIG. 4 is a rear perspective view of FIG. 2;

FIG. 5 is a front, right side perspective view thereof;

FIG. 6 is a front, right side perspective view of FIG. 5 with the transparent cover for LED light;

FIG. 7 is a rear, left side perspective view thereof;

FIG. 8 is a rear, left side perspective view of FIG. 7 with the transparent cover for LED light;

FIG. 9 is a front elevational view thereof;

FIG. 10 is a rear elevational view thereof;

FIG. 11 is a top plan view thereof with the transparent cover removed;

FIG. 12 is a side elevational view thereof with the transparent covers for LED light plates removed;

FIG. 13 is a bottom plan view thereof with the transparent cover for LED light plate removed;

FIG. 14 is a front elevational view thereof with the transparent covers for LED light plates;

FIG. 15 is a rear elevational view thereof with the transparent covers for LED light plates;

FIG. 16 is a top plan view thereof with the transparent cover for LED light plate;

FIG. 17 is a side elevational view thereof with the transparent covers for LED light plates;

FIG. 18 is an enlarged fragmentary front view of LED light plate taken along the line 18-18 in FIG. 9;

FIG. 19 is an enlarged fragmentary rear view of LED light plate taken along the line 19-19 in FIG. 10;

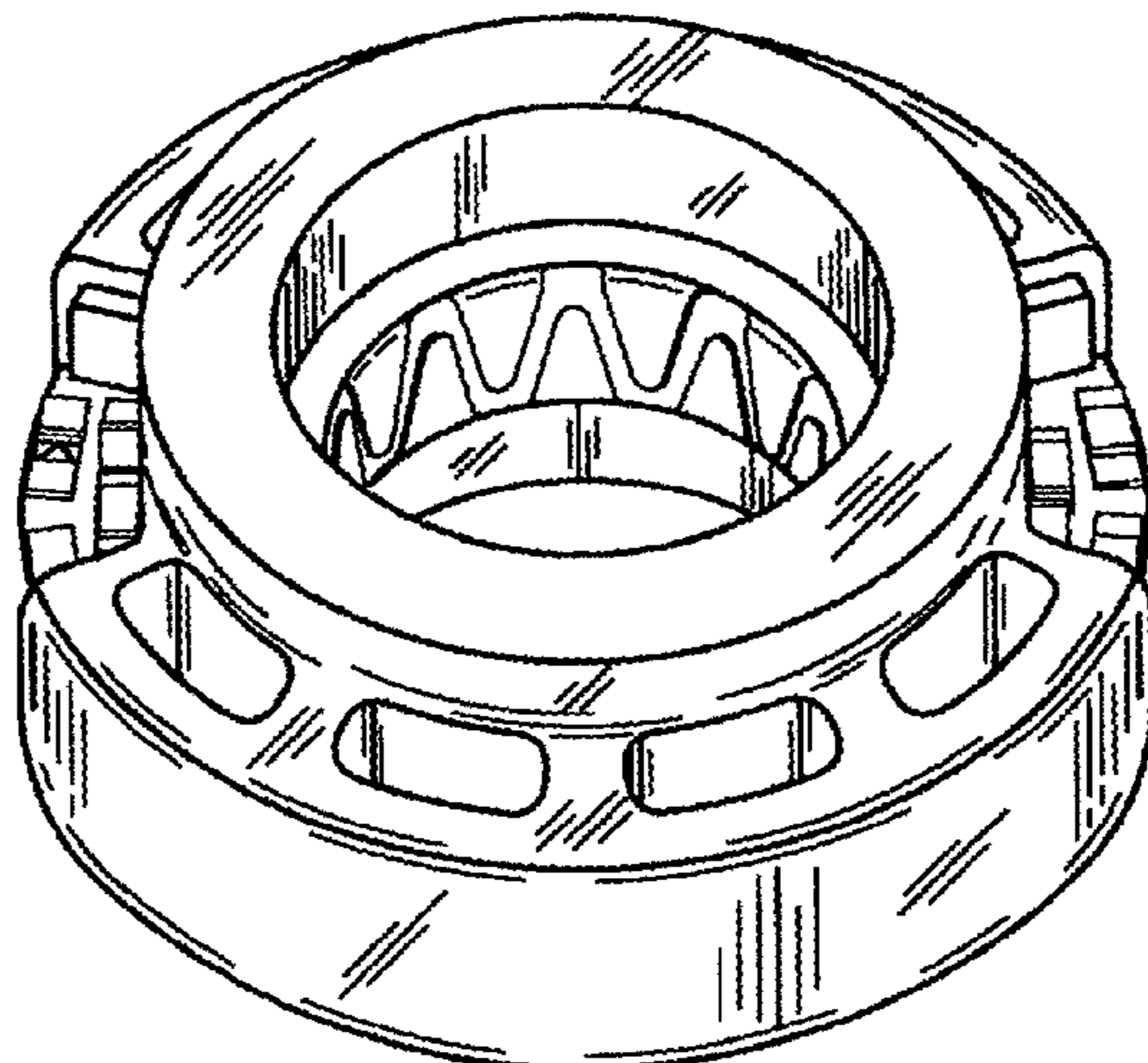
FIG. 20 is an enlarged fragmentary front view of LED light plate taken along the line 20-20 in FIG. 9;

FIG. 21 is an enlarged fragmentary rear view of LED light plate taken along the line 21-21 in FIG. 10;

FIG. 22 is an enlarged top perspective view of the transparent cover for LED light plate cover; and,

FIG. 23 is an enlarged bottom perspective view of the transparent cover for LED light plate cover.

**1 Claim, 11 Drawing Sheets**



(58) **Field of Classification Search**

CPC ..... A63C 17/00; A63C 17/01; A63C 17/04;  
A63C 17/06; A63C 17/22; A63C 17/18

See application file for complete search history.

(56) **References Cited**

U.S. PATENT DOCUMENTS

D401,298 S	*	11/1998	Portzline .....	D21/779
D403,729 S	*	1/1999	Portzline .....	D21/779
D421,083 S	*	2/2000	Chen .....	D21/779
D433,476 S	*	11/2000	Lin .....	D21/779
D434,464 S	*	11/2000	Lin .....	D21/779
D466,174 S	*	11/2002	Neumann .....	D21/779
D466,962 S	*	12/2002	Chen .....	D21/779
D480,436 S	*	10/2003	Hong .....	D21/423
D676,916 S	*	2/2013	Reeves .....	D21/779
D721,149 S	*	1/2015	Piper .....	D21/779
D721,151 S	*	1/2015	Piper .....	D21/779
D839,978 S	*	2/2019	Piper .....	D21/779

\* cited by examiner

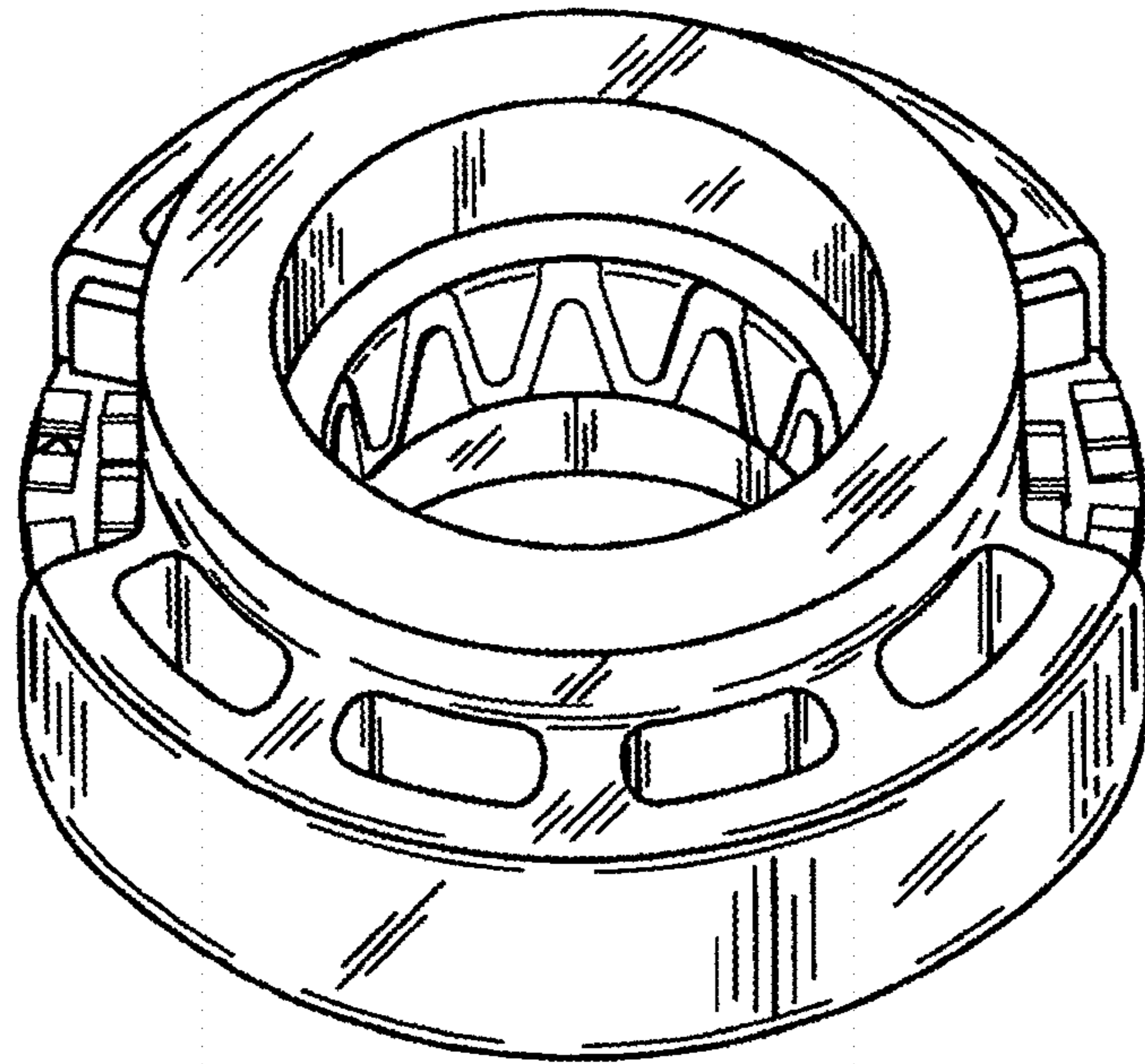


Fig. 1

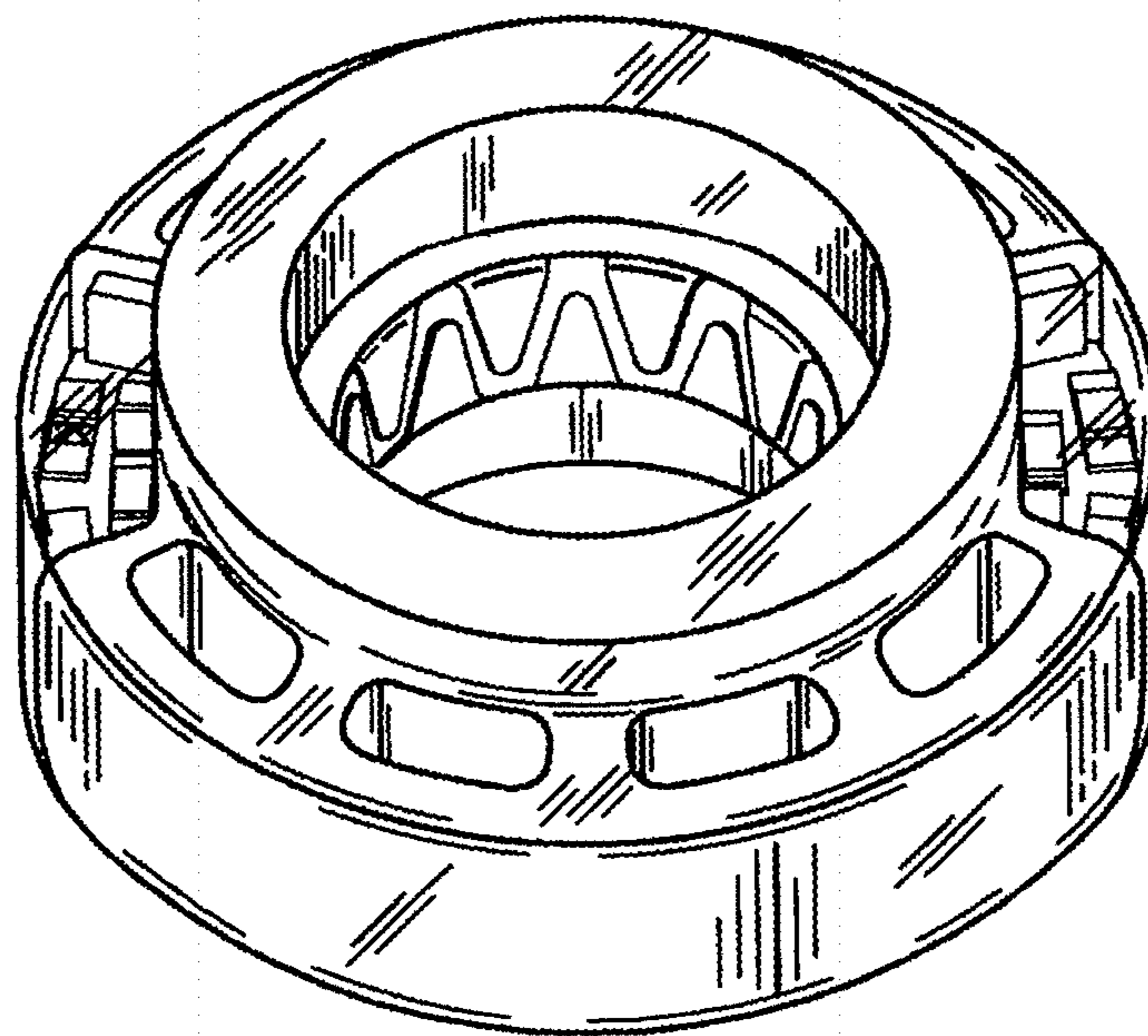


Fig. 2

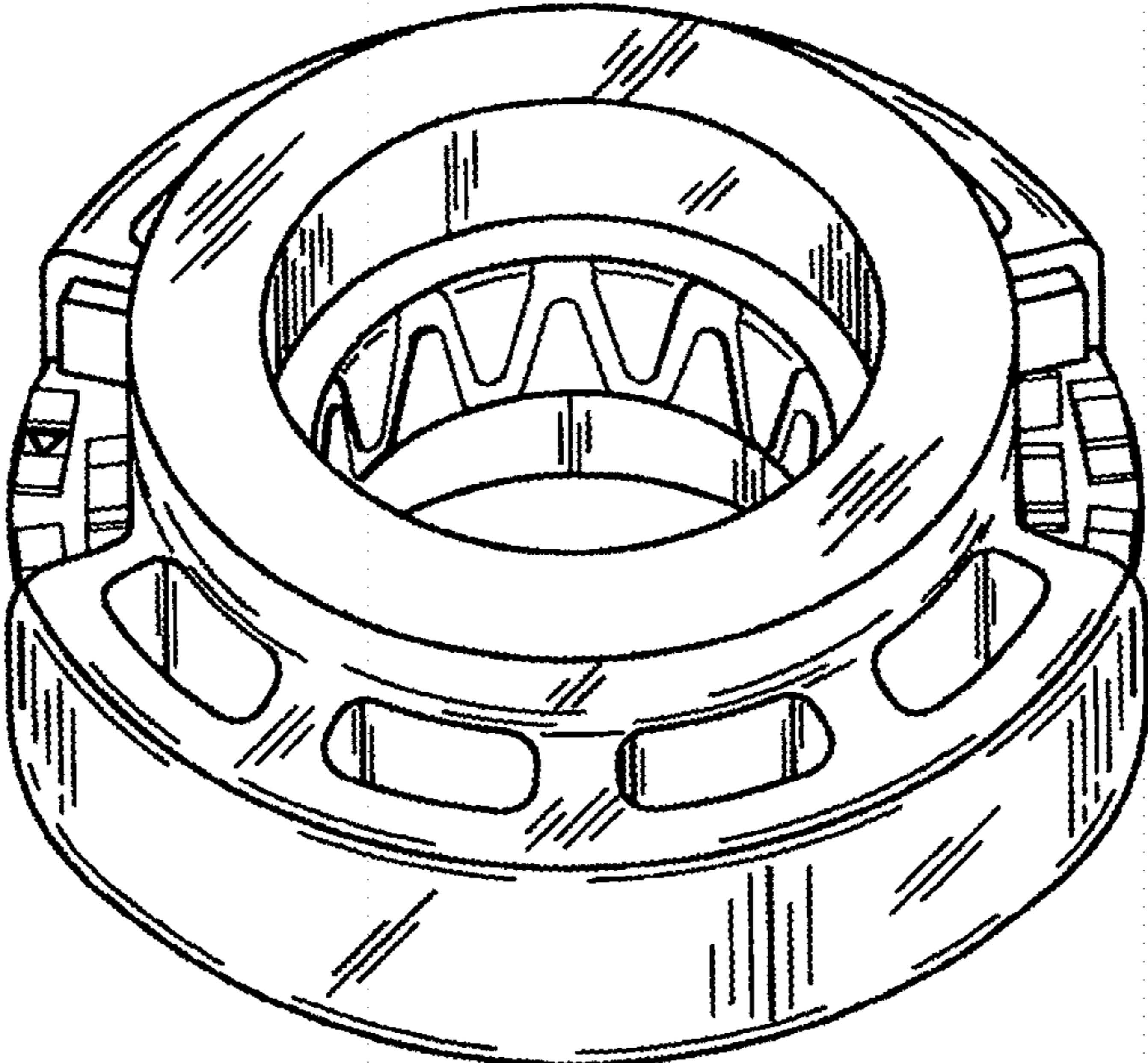


Fig. 3

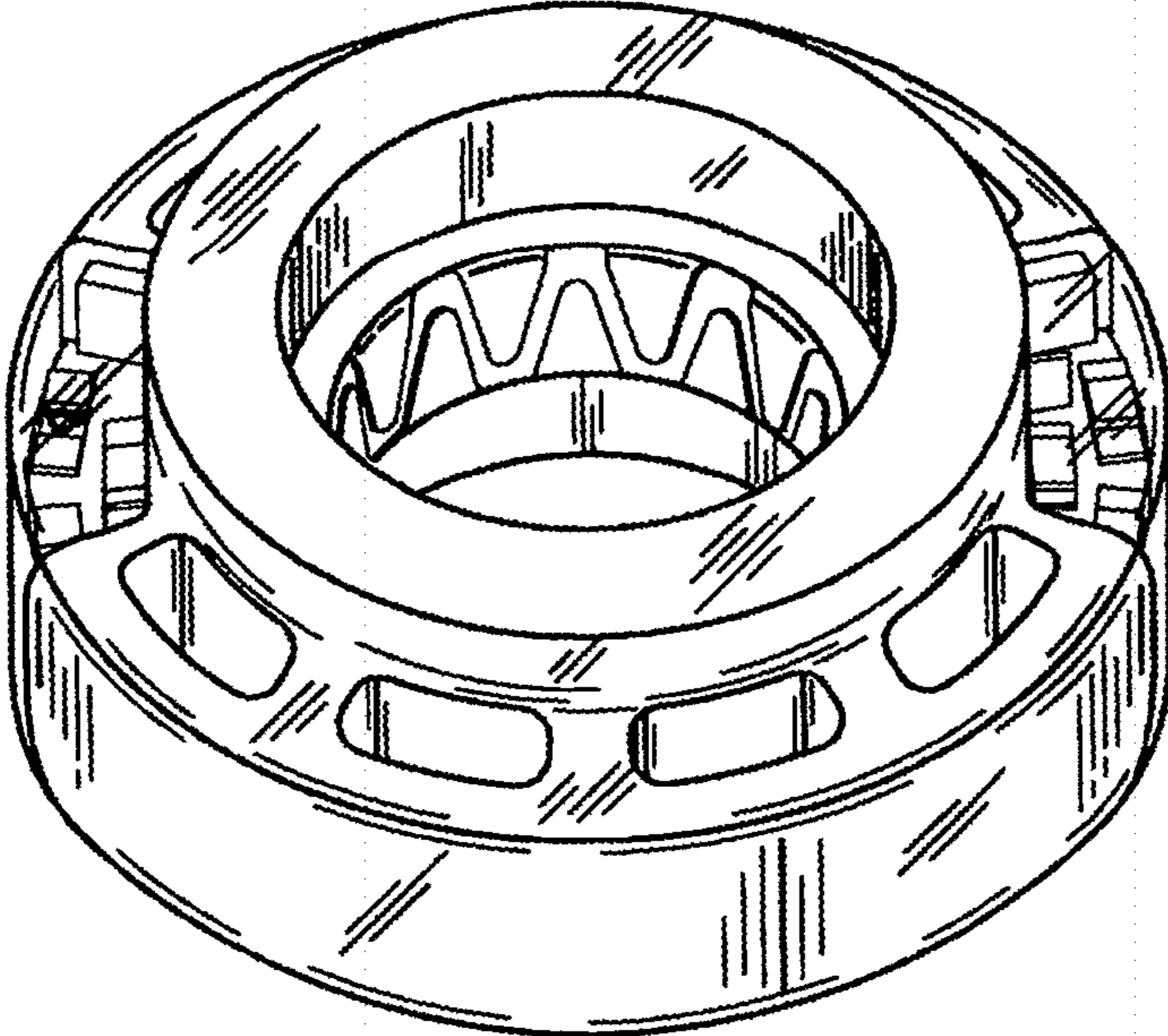


Fig. 4

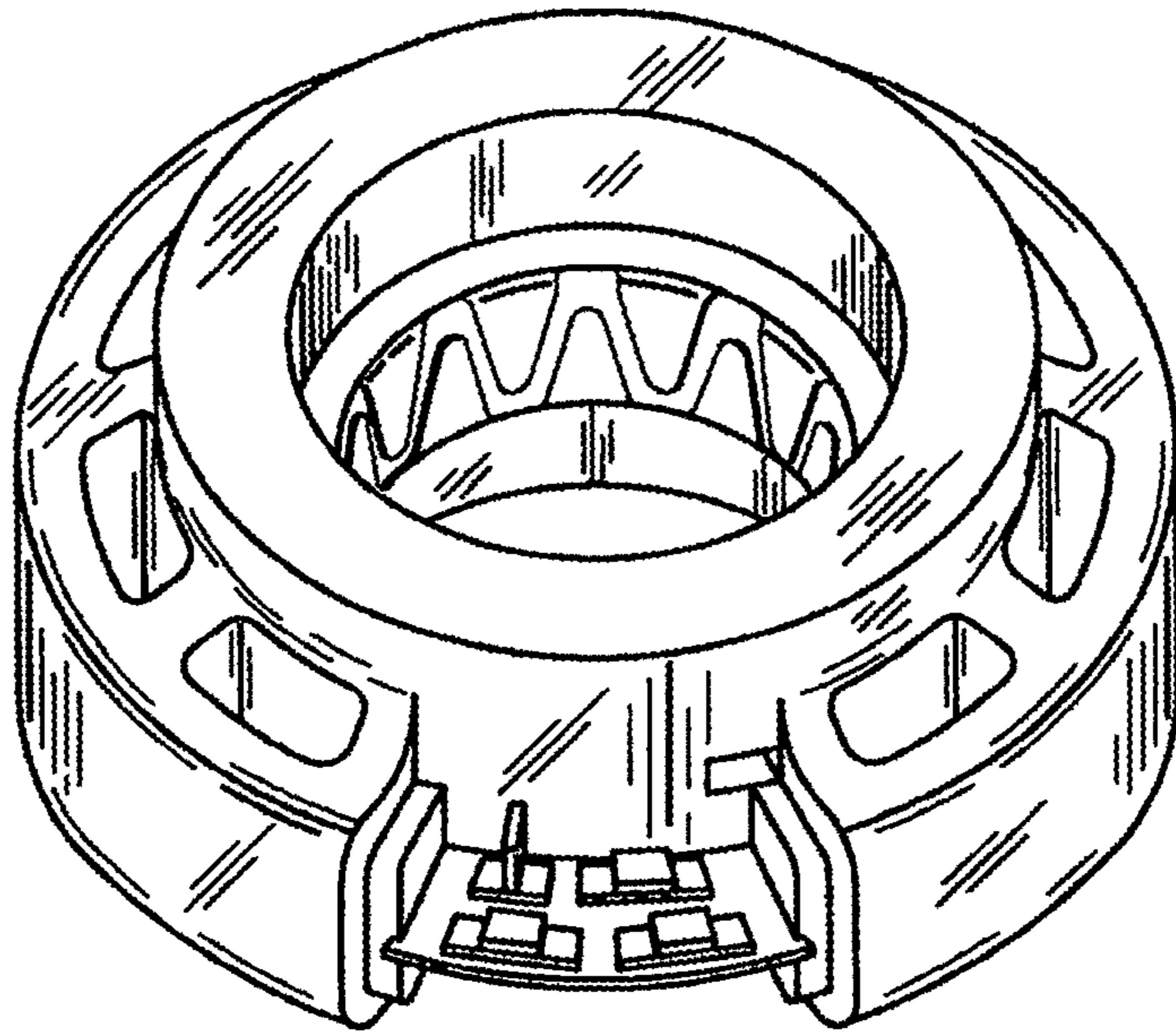


Fig. 5

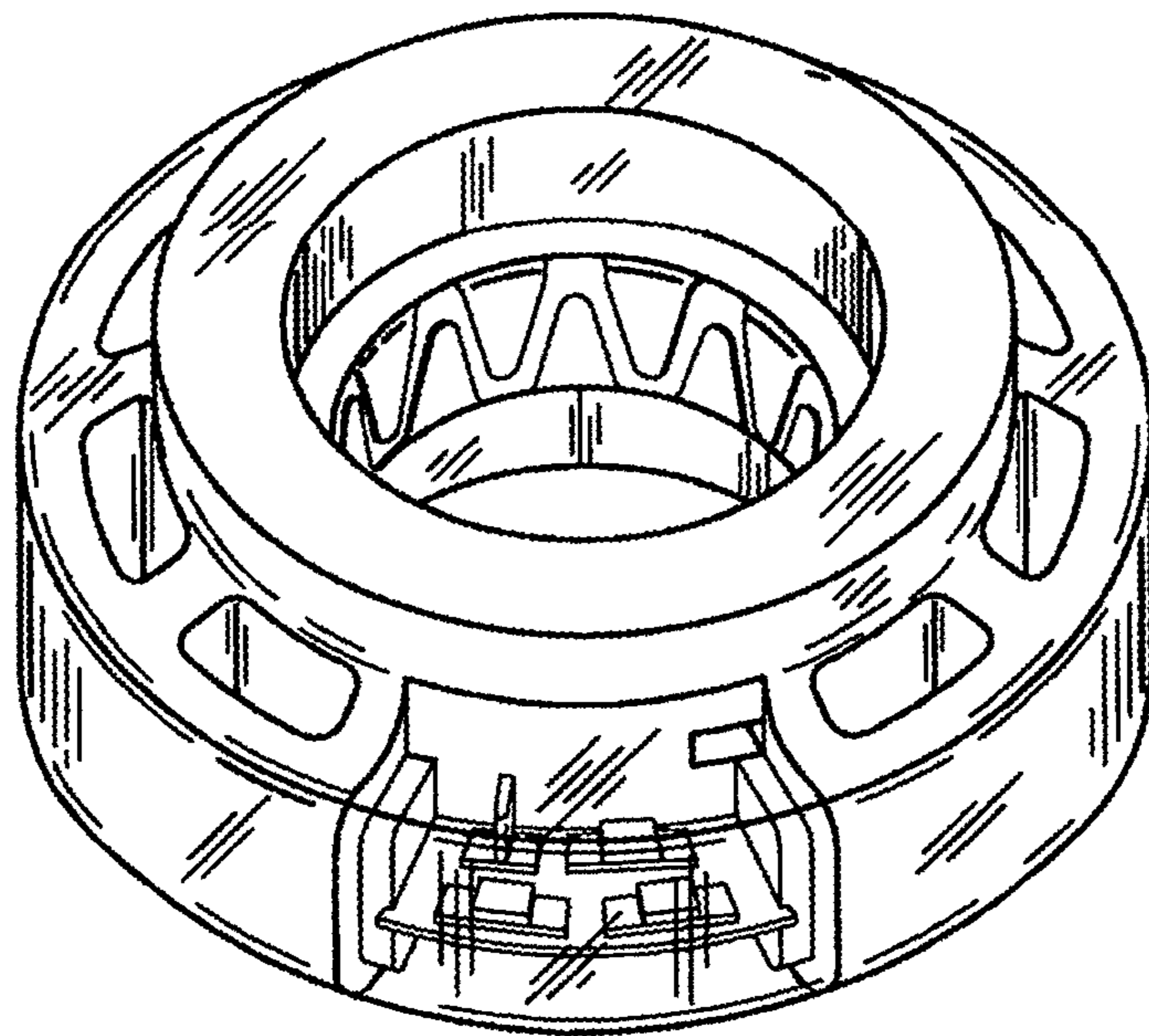


Fig. 6

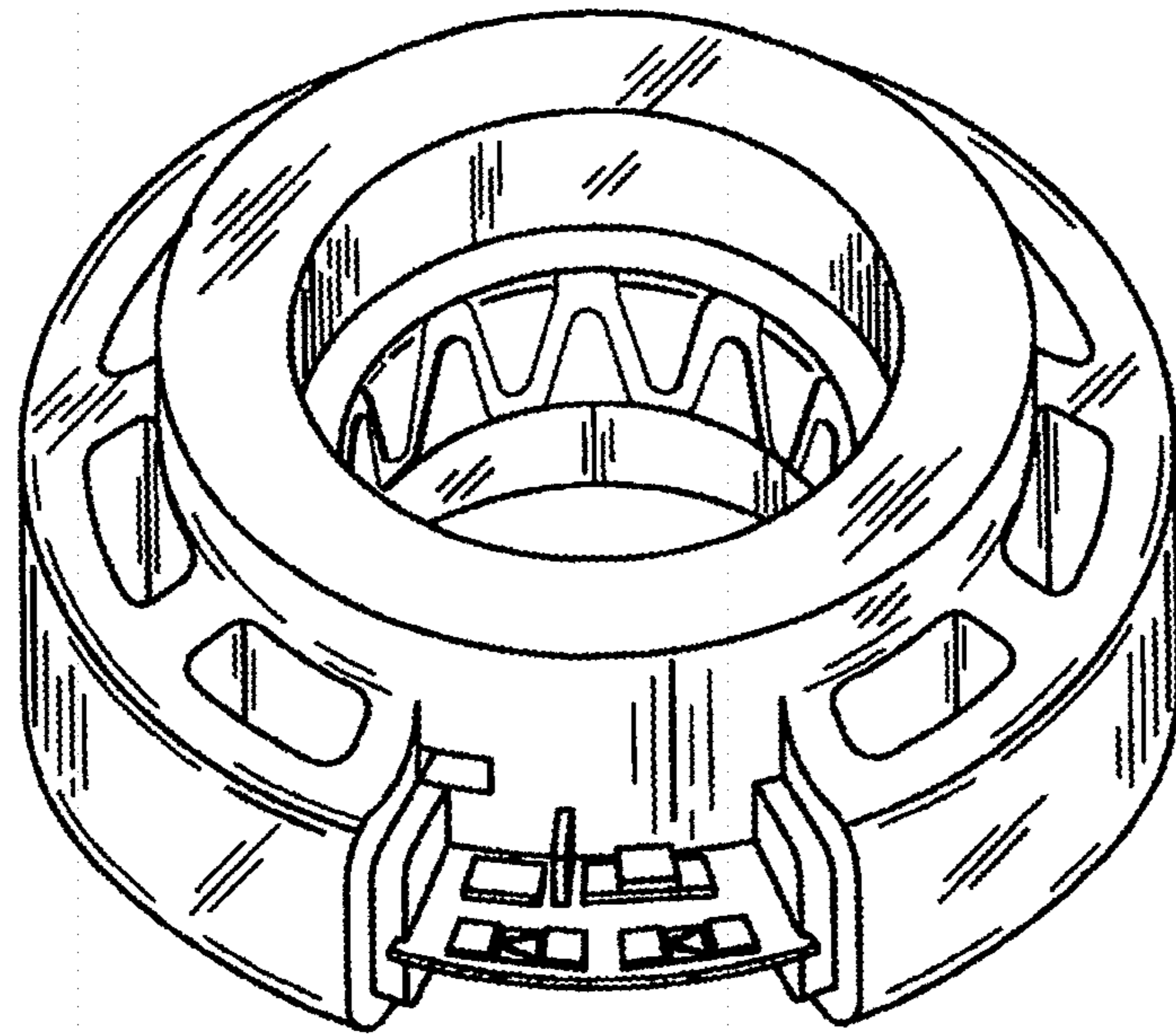


Fig. 7

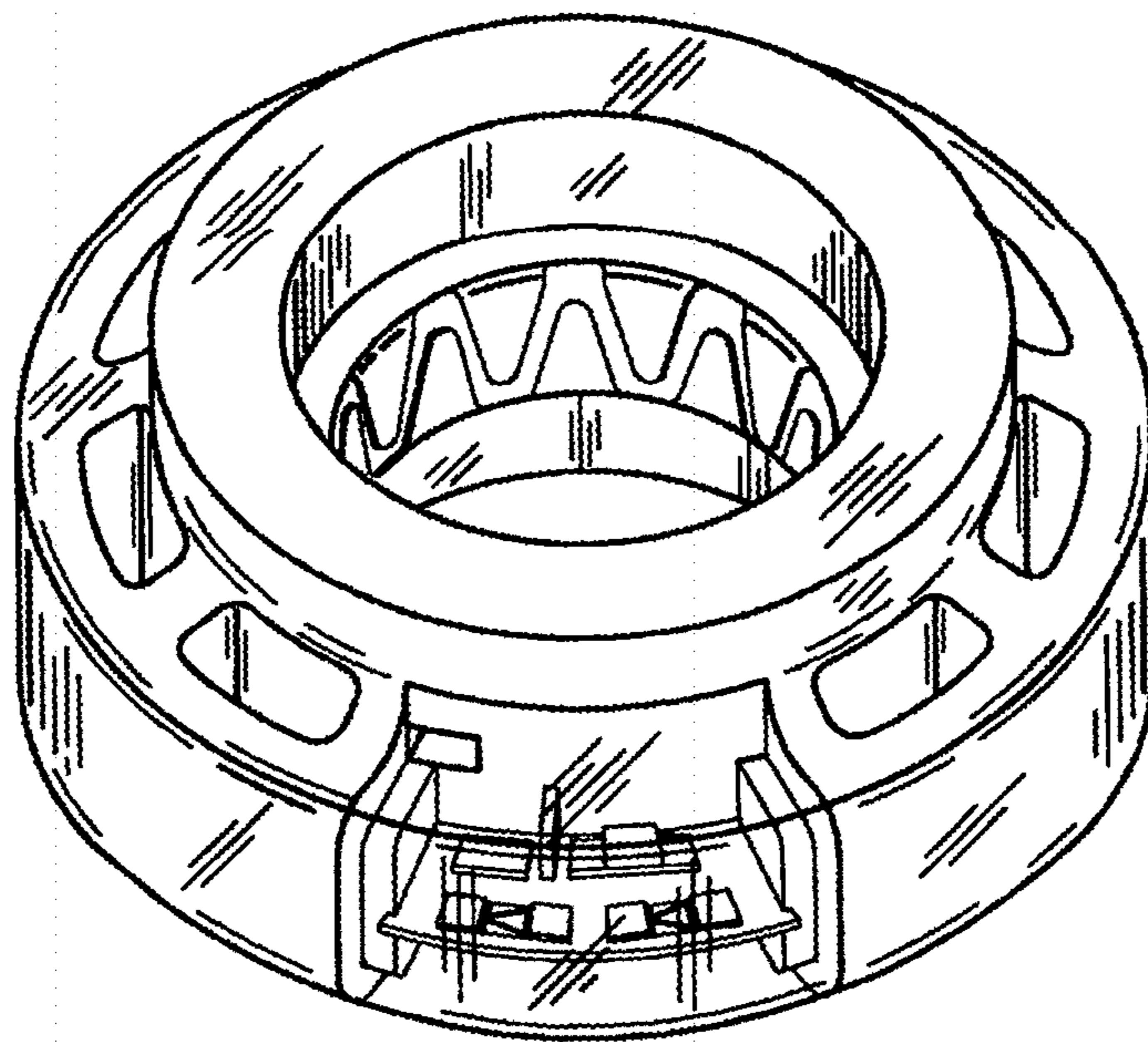


Fig. 8

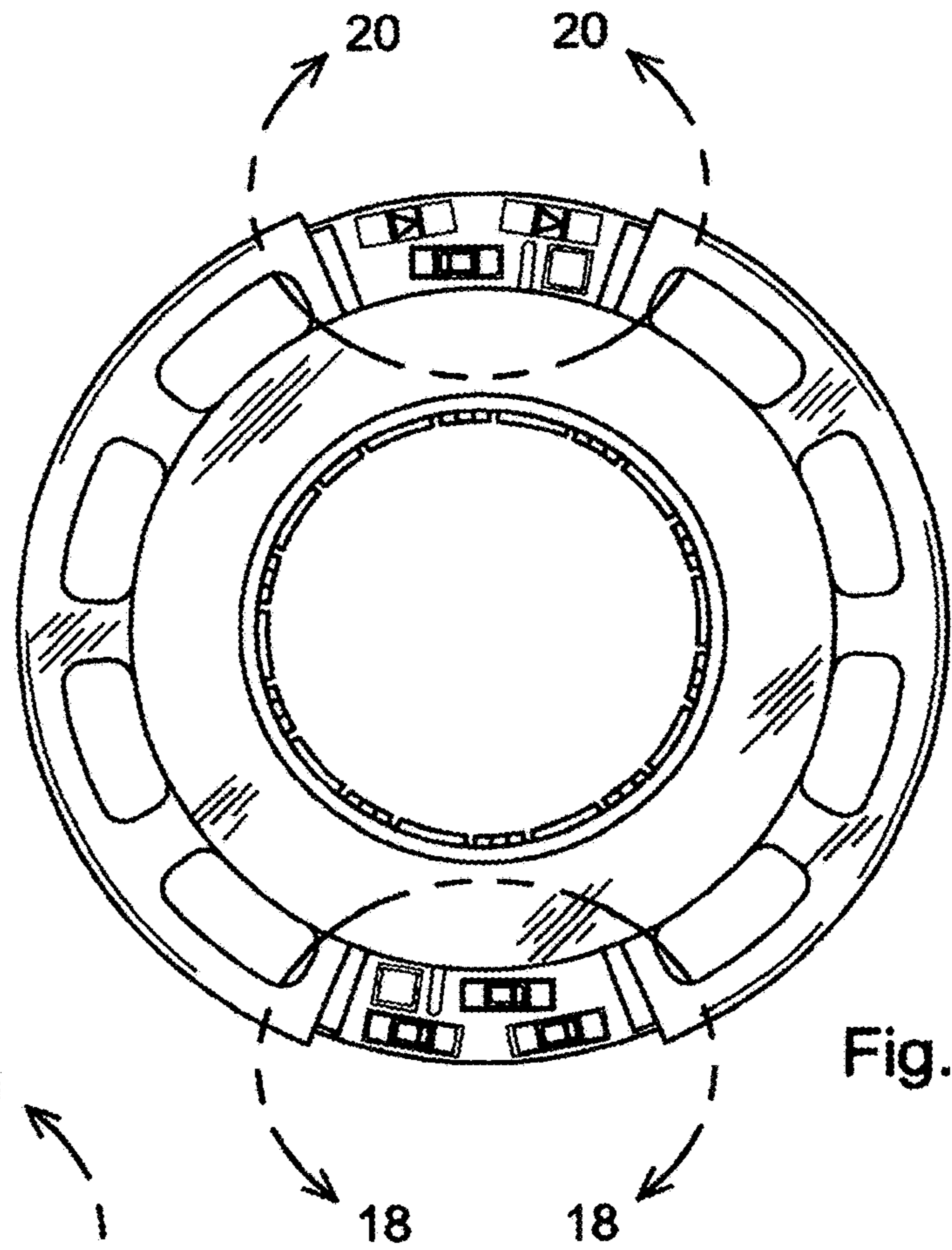


Fig. 9

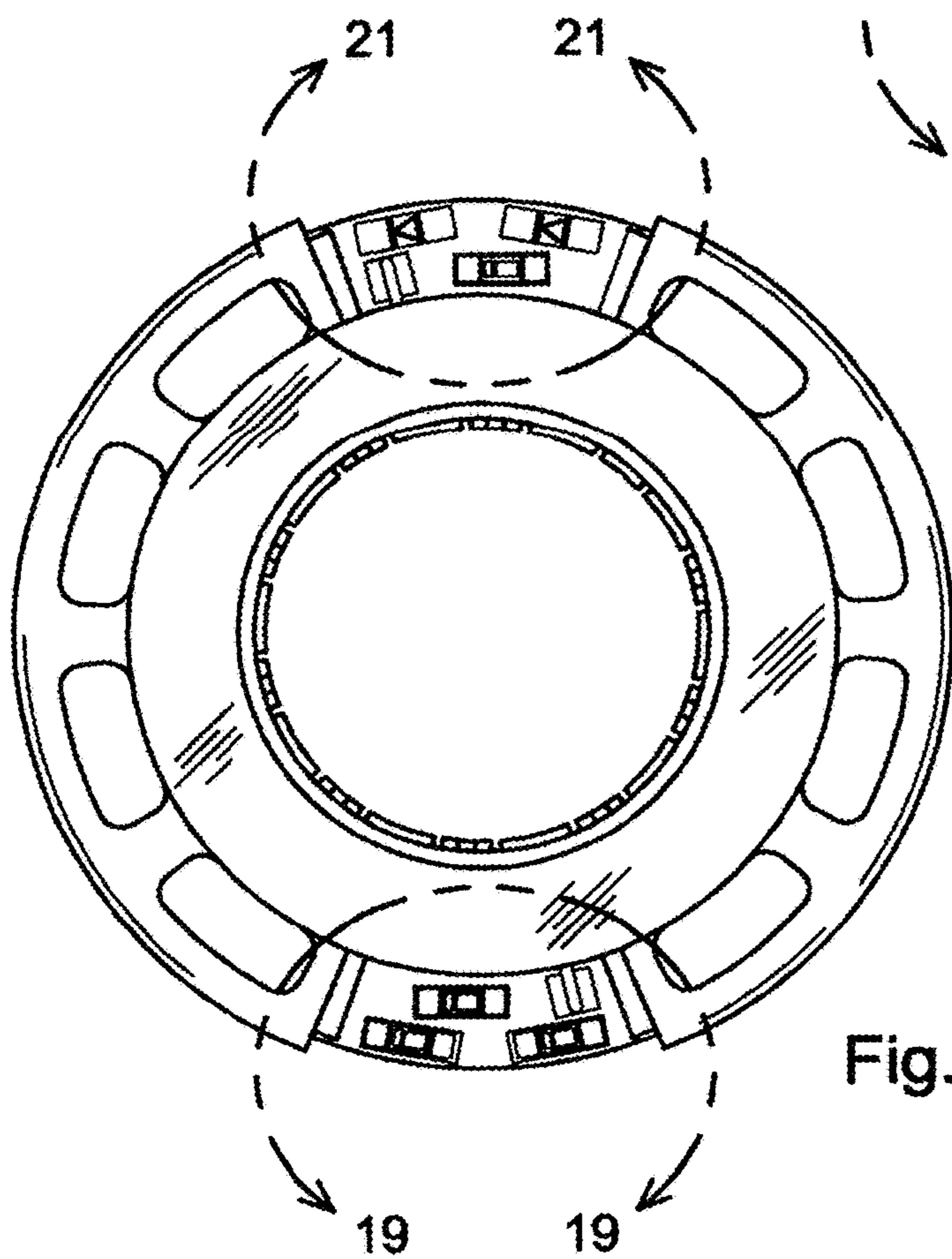


Fig. 10

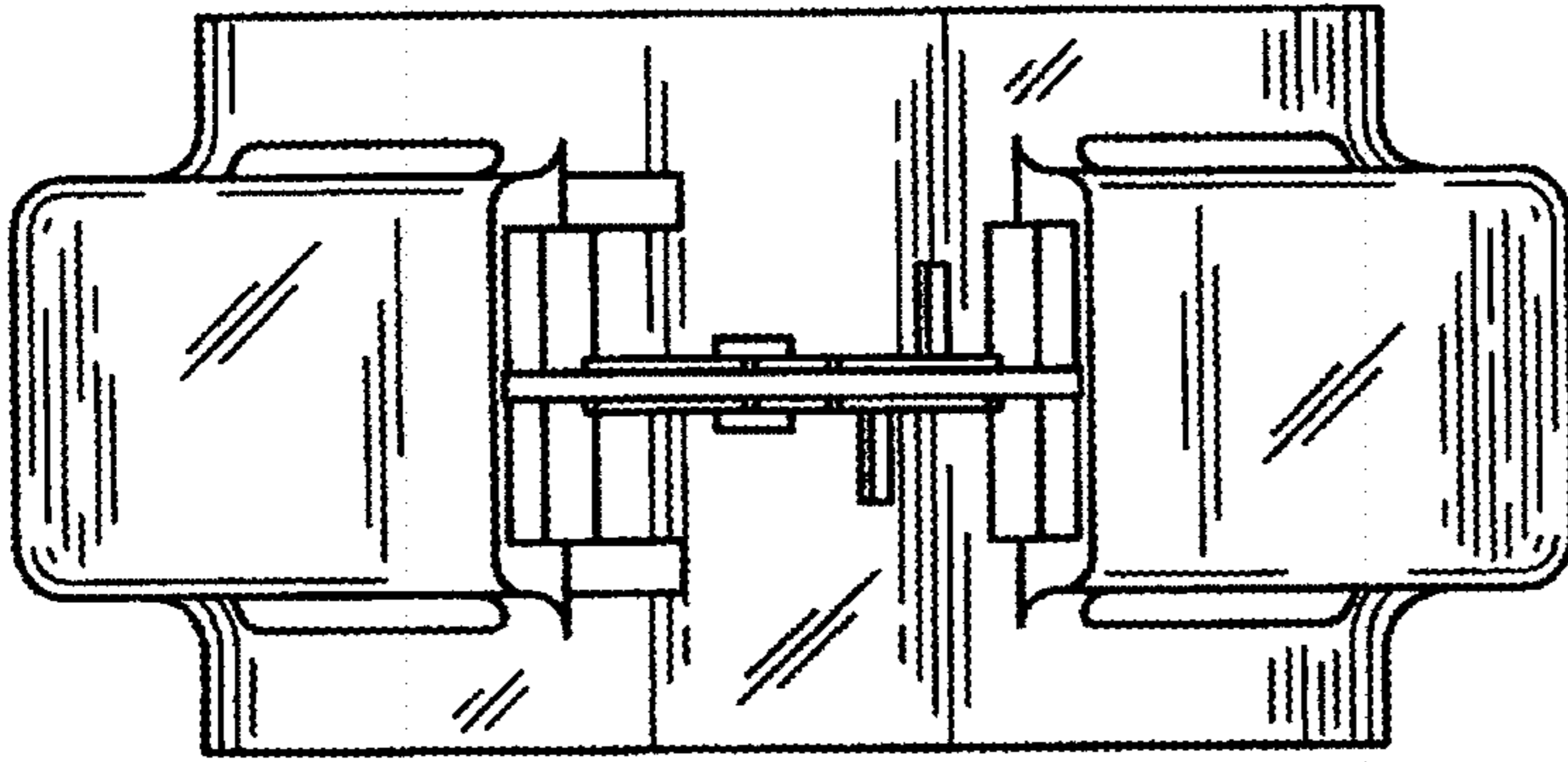


Fig. 11

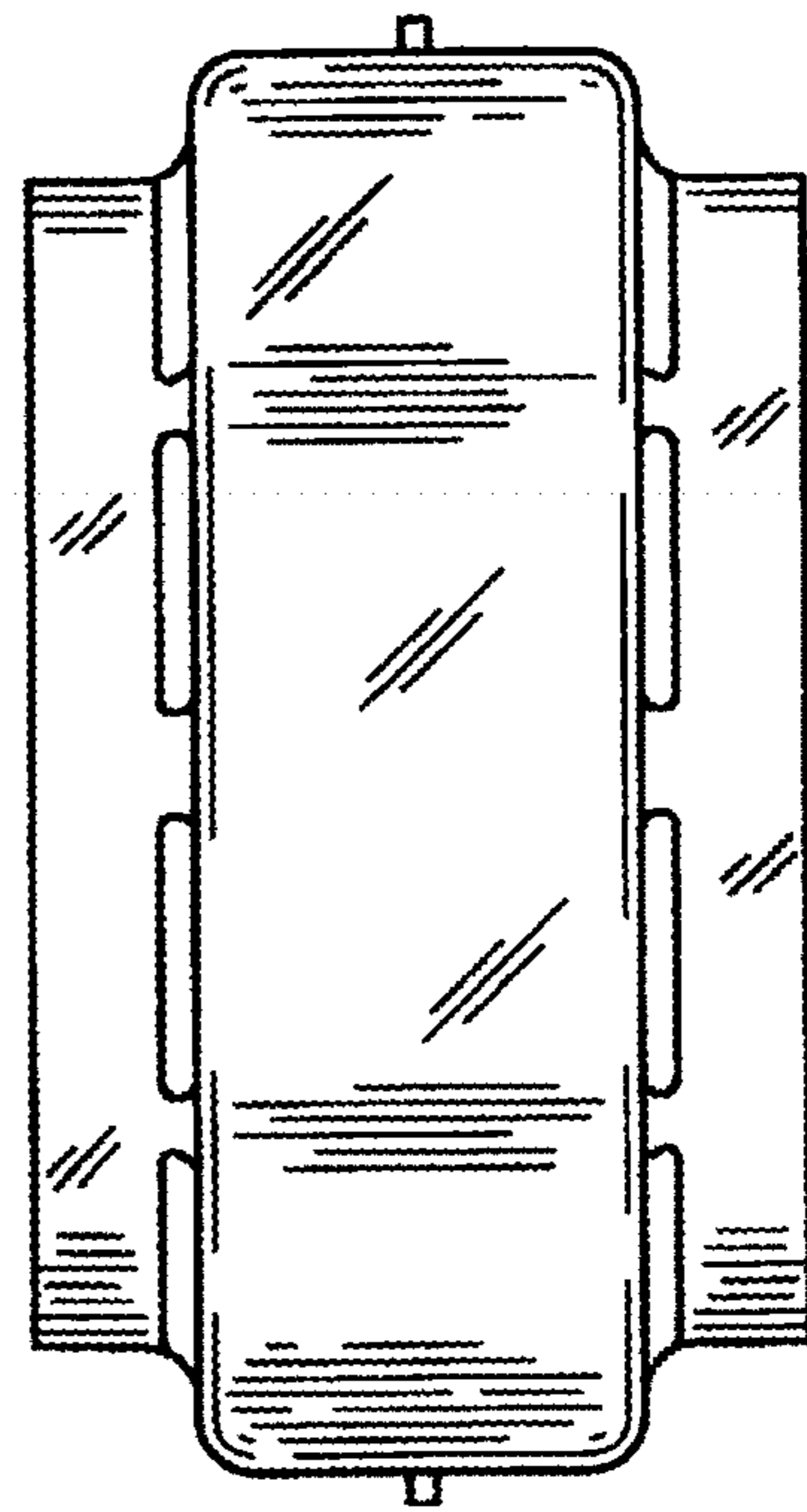


Fig. 12

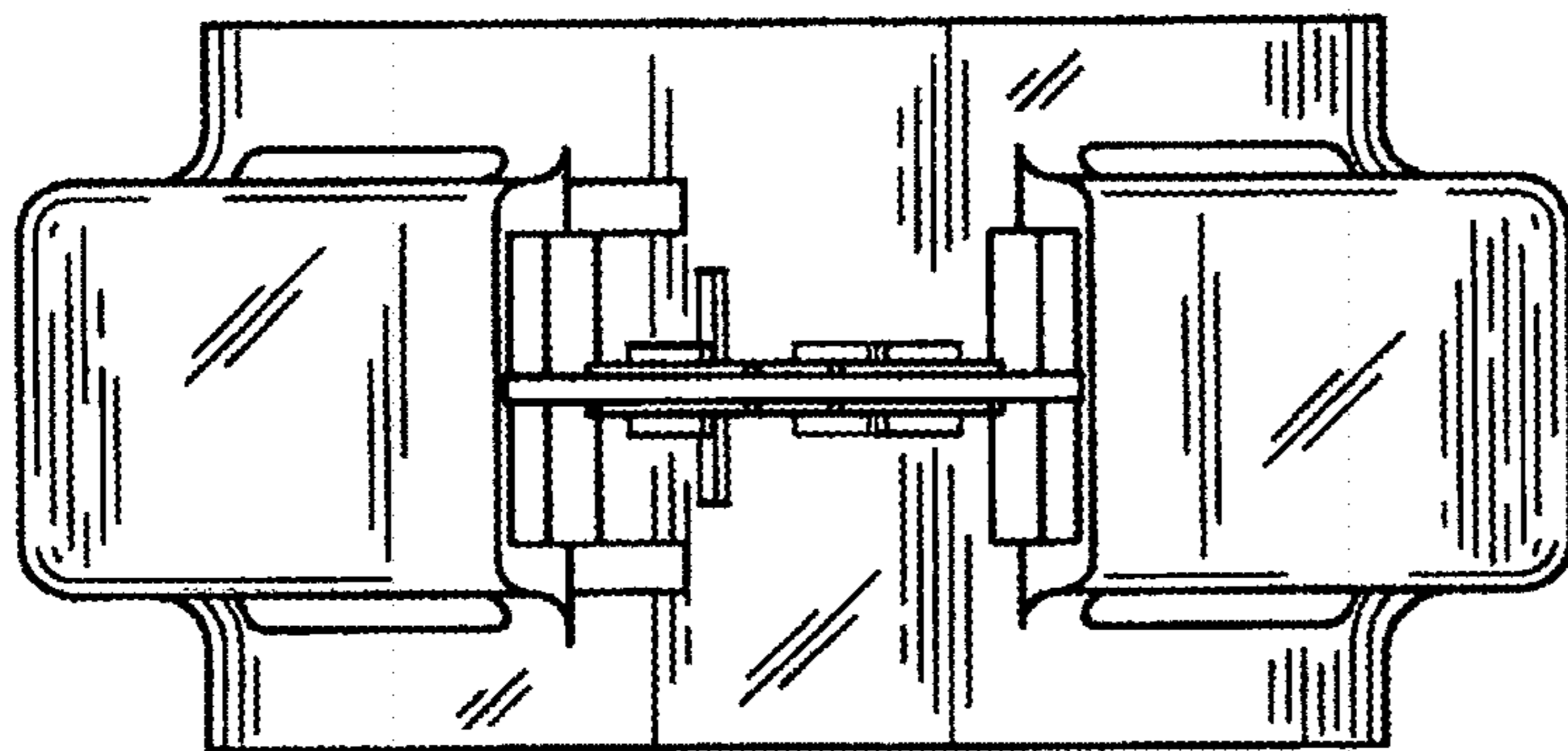


Fig. 13



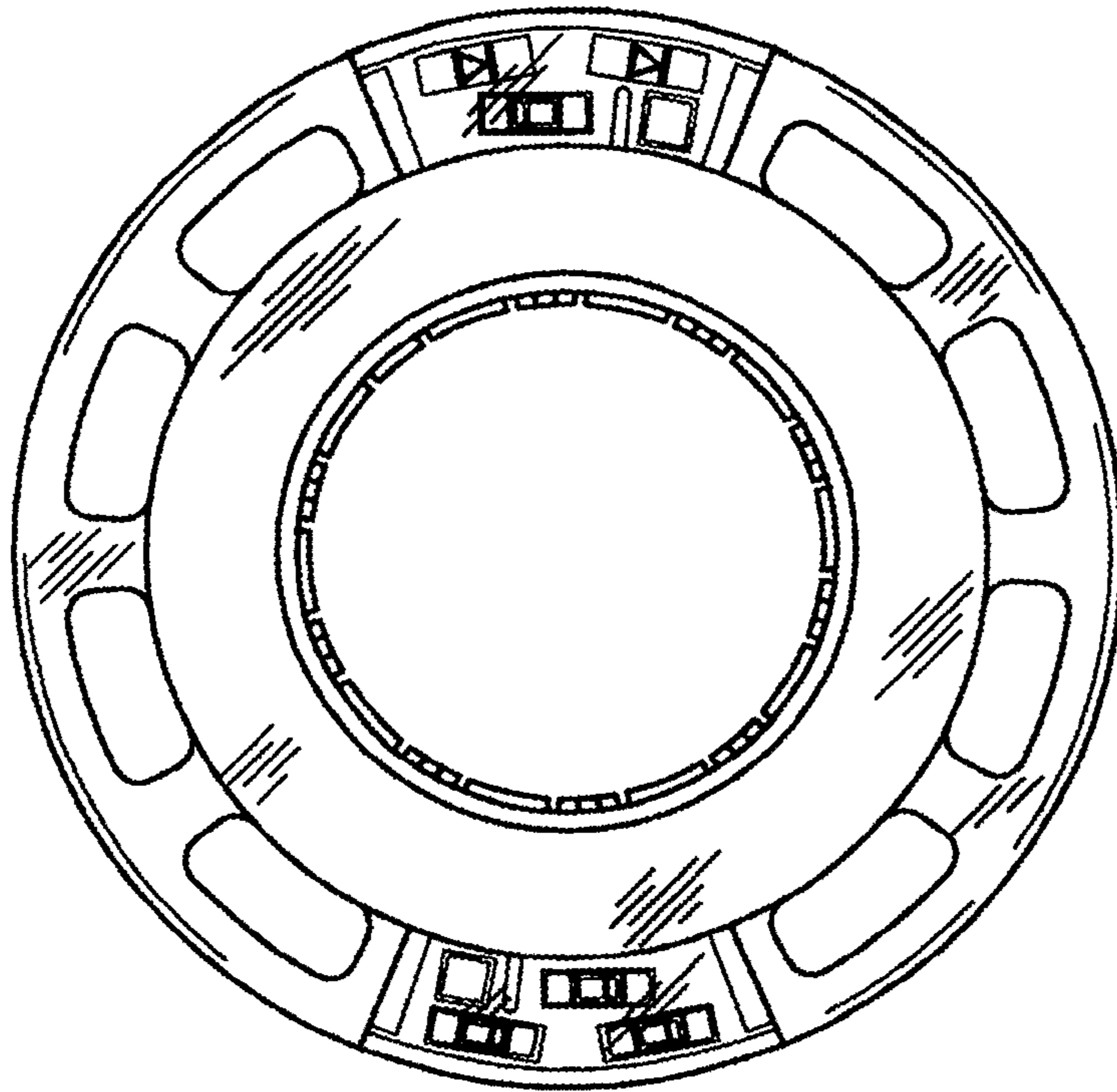


Fig. 14

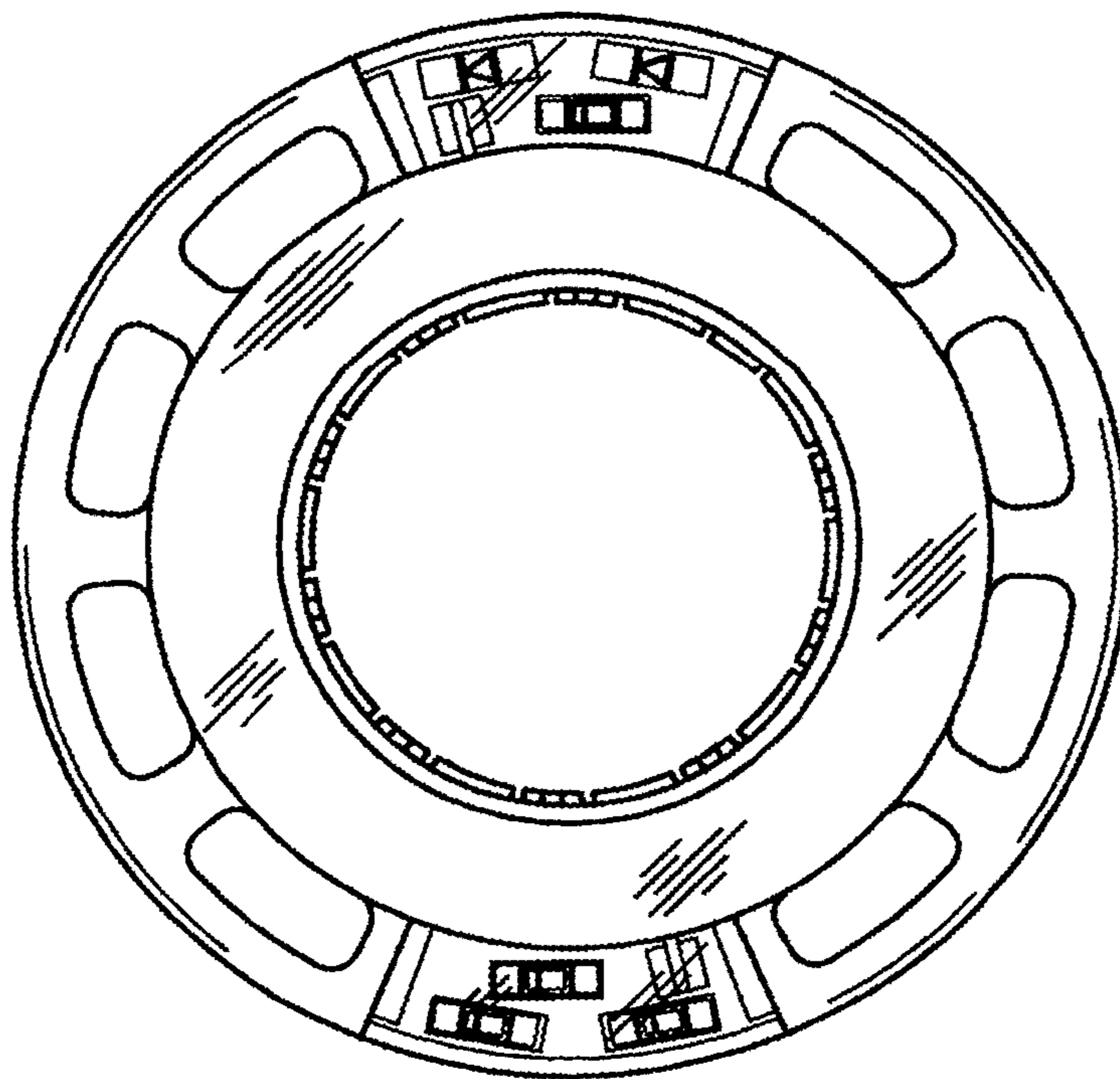


Fig. 15

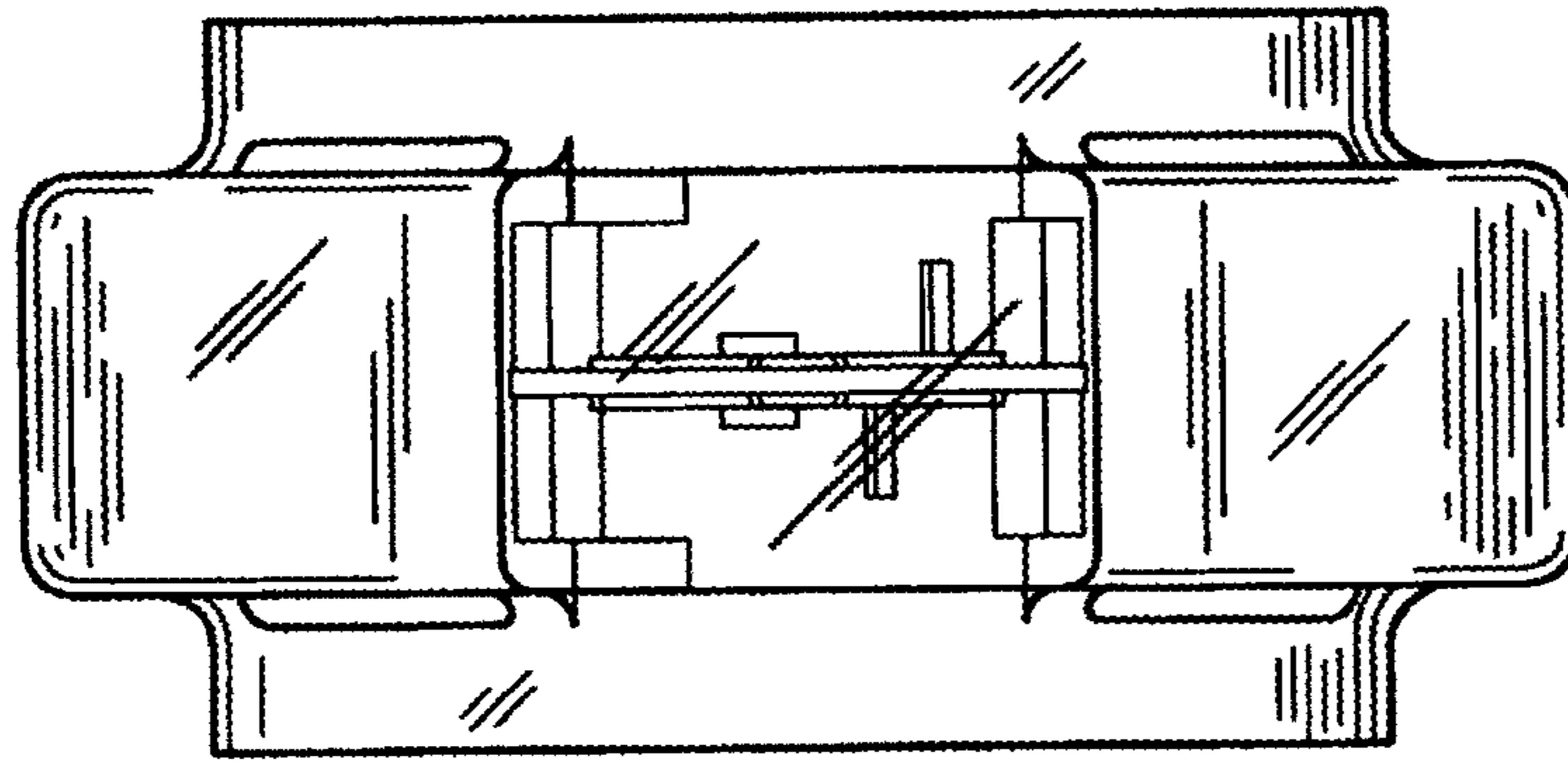


Fig. 16

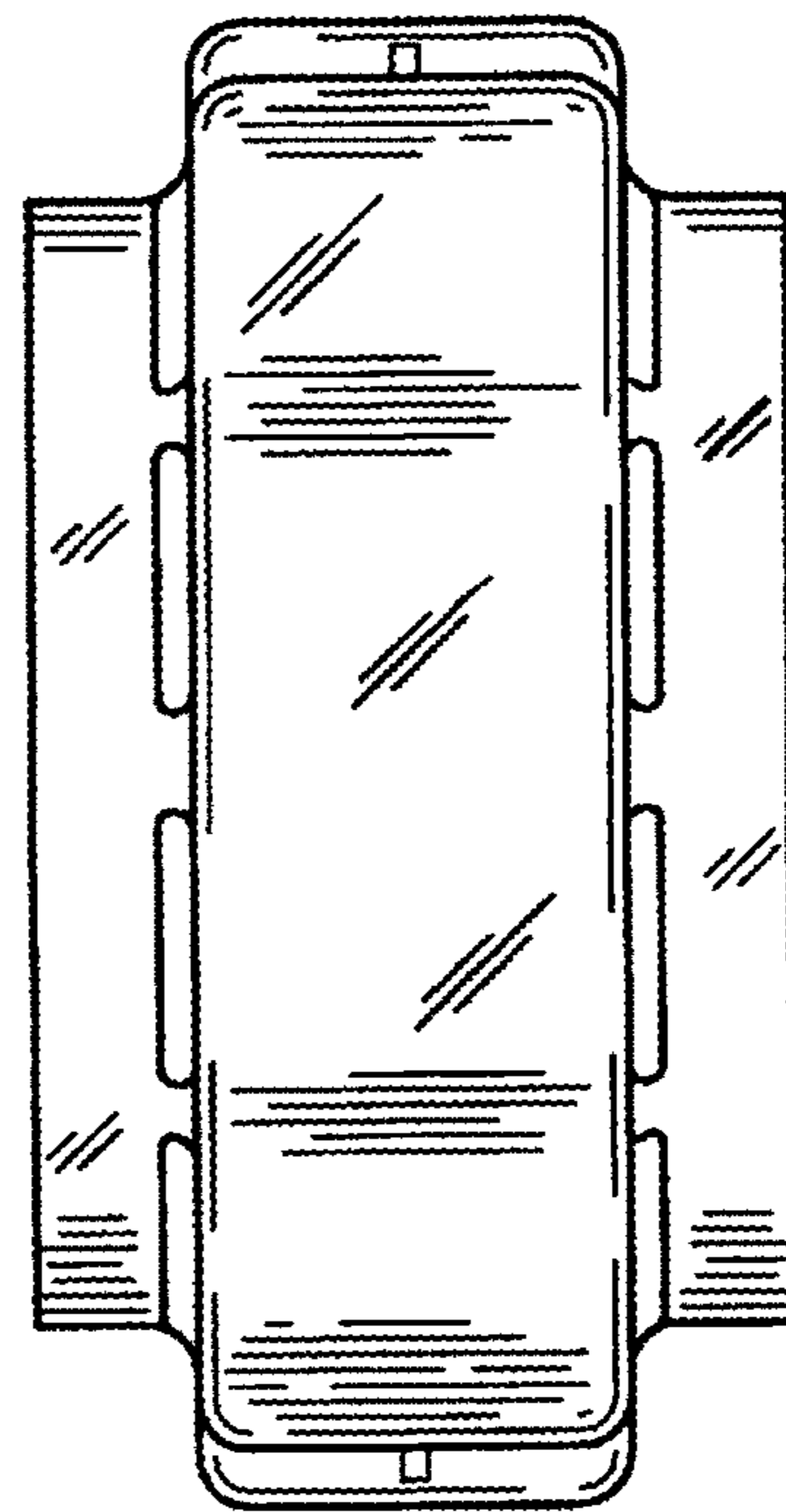


Fig. 17

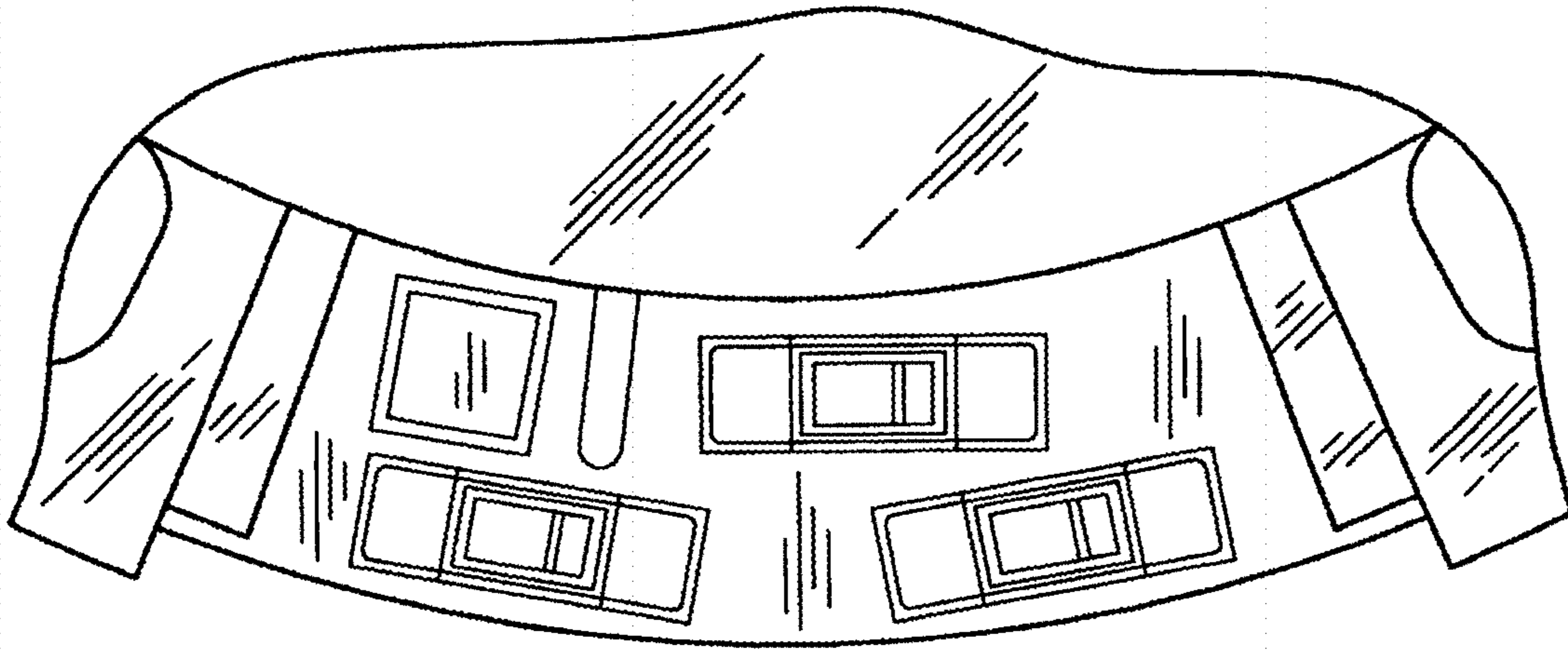


Fig. 18

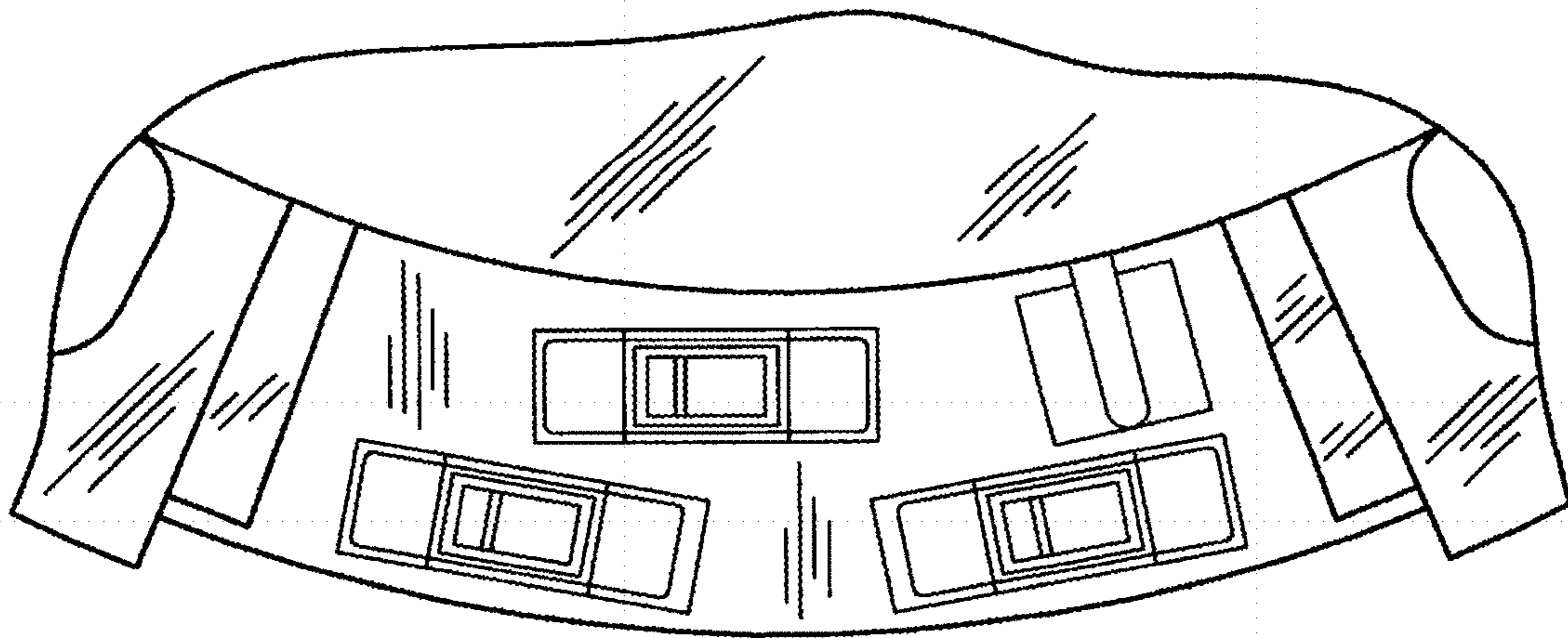


Fig. 19

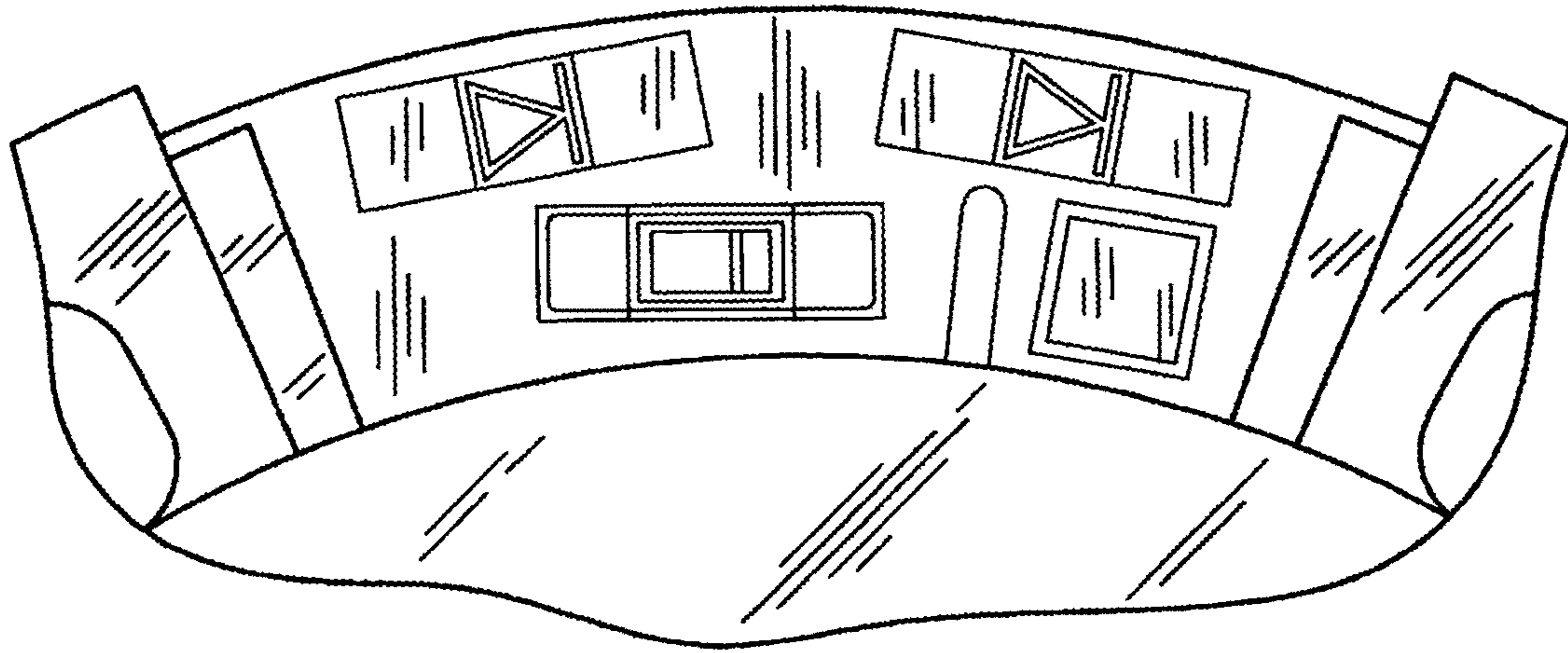


Fig. 20

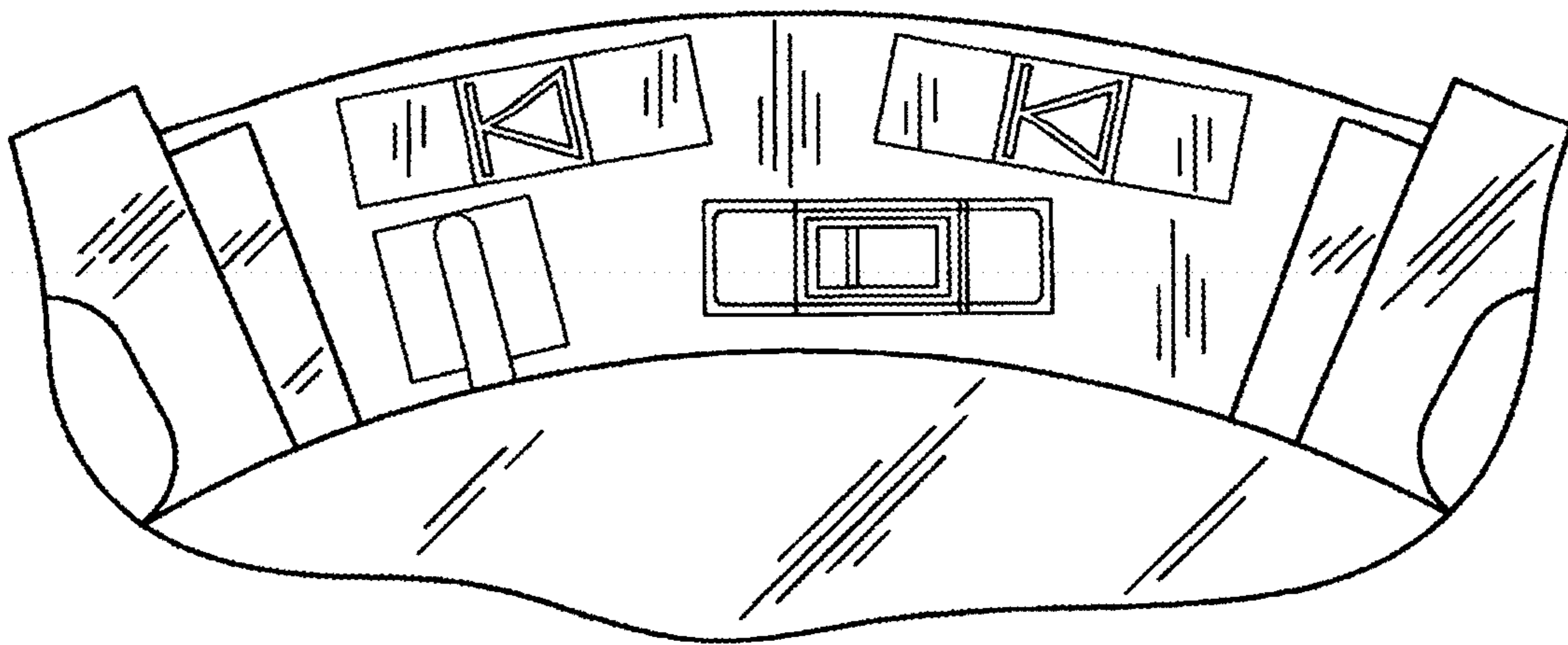


Fig. 21

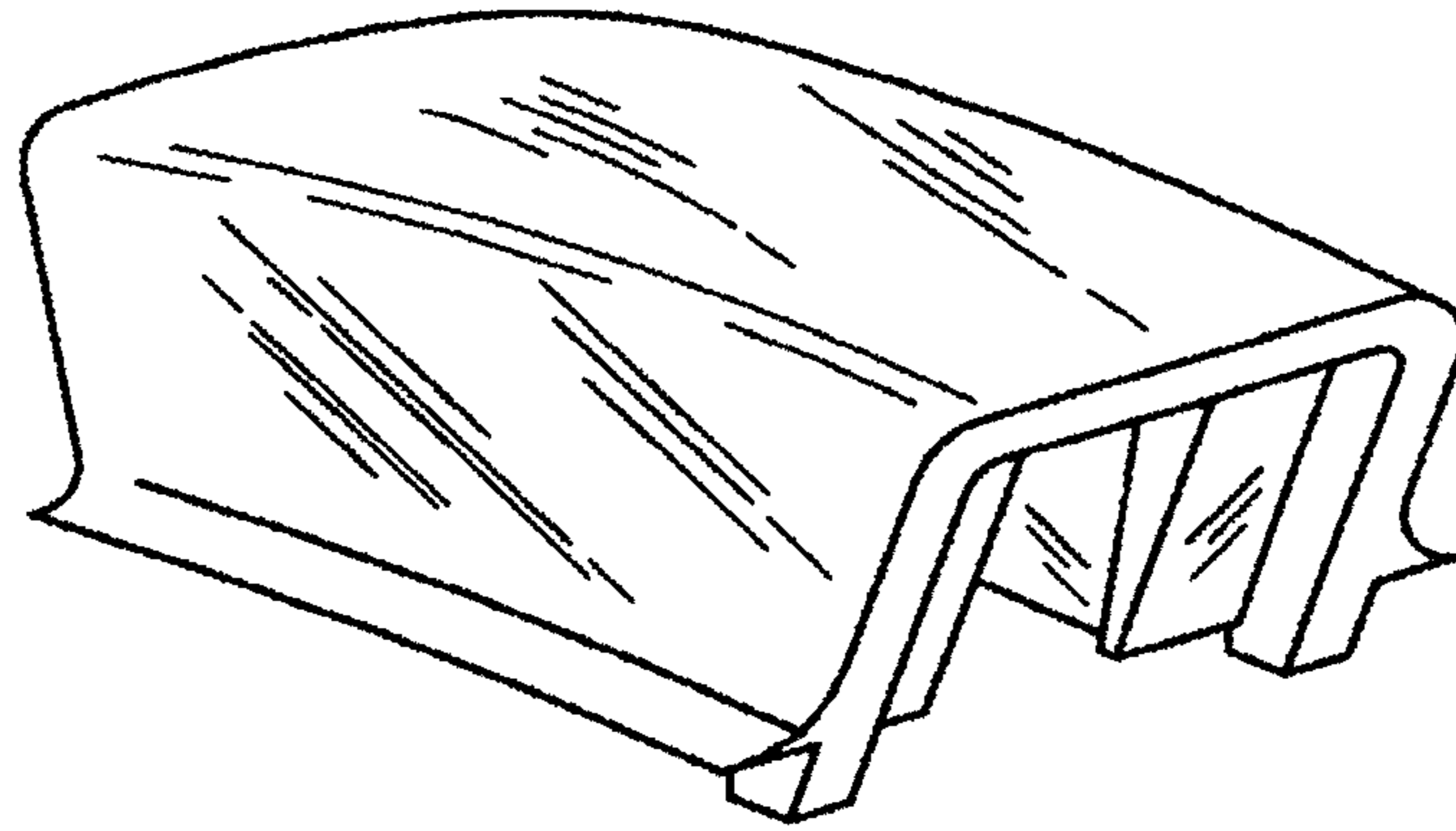


Fig. 22

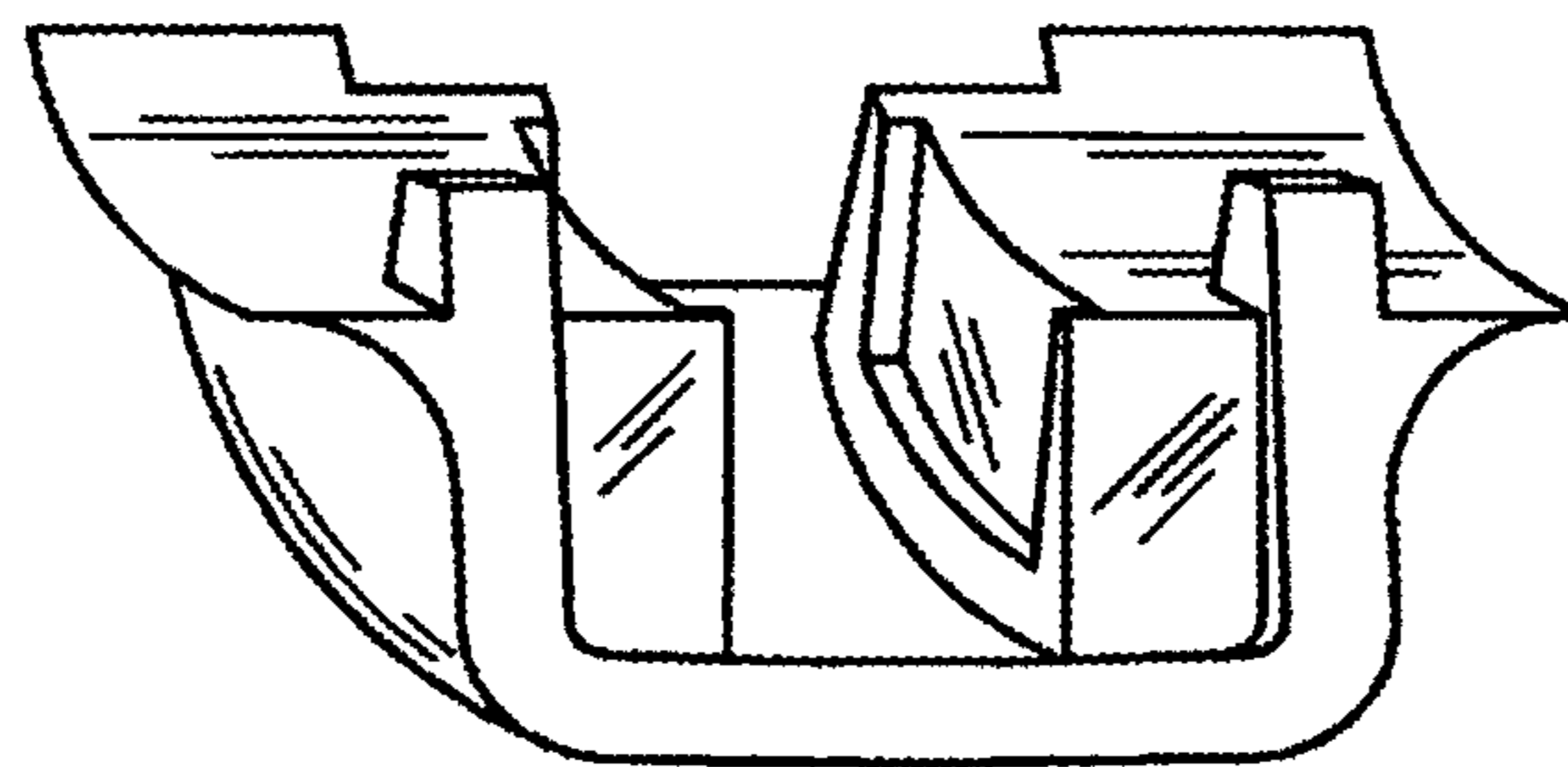


Fig. 23