



US00D907731S

(12) **United States Design Patent**
Rollinson et al.

(10) **Patent No.:** **US D907,731 S**

(45) **Date of Patent:** **** Jan. 12, 2021**

(54) **PUTTER HEAD**

(71) Applicant: **Callaway Golf Company**, Carlsbad,
CA (US)

(72) Inventors: **Augustin W. Rollinson**, Solana Beach,
CA (US); **Oliver G. Brewer**, San
Diego, CA (US)

(73) Assignee: **CALLAWAY GOLF COMPANY**,
Carlsbad, CA (US)

(**) Term: **15 Years**

(21) Appl. No.: **29/699,633**

(22) Filed: **Jul. 26, 2019**

(51) **LOC (13) Cl.** **21-02**

(52) **U.S. Cl.**
USPC **D21/759**

(58) **Field of Classification Search**
USPC D21/736-746, 759
CPC A63B 53/00; A63B 53/04; A63B 53/007;
A63B 53/065; A63B 53/0487; A63B
60/00; A63B 60/46
See application file for complete search history.

(56) **References Cited**

U.S. PATENT DOCUMENTS

D204,466 S *	4/1966	Sowers	D21/745
D209,149 S *	11/1967	Sowers	D21/746
D228,930 S *	10/1973	Stoecher	D21/742
D231,624 S *	5/1974	Willmoth	D21/741
D240,751 S *	7/1976	Taylor	D21/734
D243,968 S *	4/1977	Whittaker	D21/746
D248,181 S *	6/1978	Cervantes	473/253
D256,262 S *	8/1980	Benson	473/253
5,324,031 A *	6/1994	Green	A63B 53/0487 473/252
5,533,728 A *	7/1996	Pehoski	A63B 60/52 473/252
D378,688 S *	4/1997	Cameron	D21/745

D379,645 S *	6/1997	Cameron	D21/745
5,676,603 A *	10/1997	Miller	A63B 69/3614 473/220
D393,674 S *	4/1998	Rhee	D21/745
D405,137 S *	2/1999	Nelson	D21/738
D425,157 S *	5/2000	Reed	D21/744
D426,601 S *	6/2000	Reed	D21/744
D444,194 S *	6/2001	Calabro	D21/738
D508,276 S *	8/2005	Madore	D21/759
D532,847 S *	11/2006	Rollinson	D21/736
D569,462 S *	5/2008	Rollinson	D21/744
D594,073 S *	6/2009	Kadoya	D21/744
D643,485 S *	8/2011	Nicolette	D21/736
D667,068 S *	9/2012	Loudenslager	D21/759
D797,222 S *	9/2017	Serrano	D21/744
D858,666 S *	9/2019	Serrano	D21/746

* cited by examiner

Primary Examiner — Mitchell I. Siegel

(74) *Attorney, Agent, or Firm* — Rebecca Hanovice;
Michael Catania; Sonia Lari

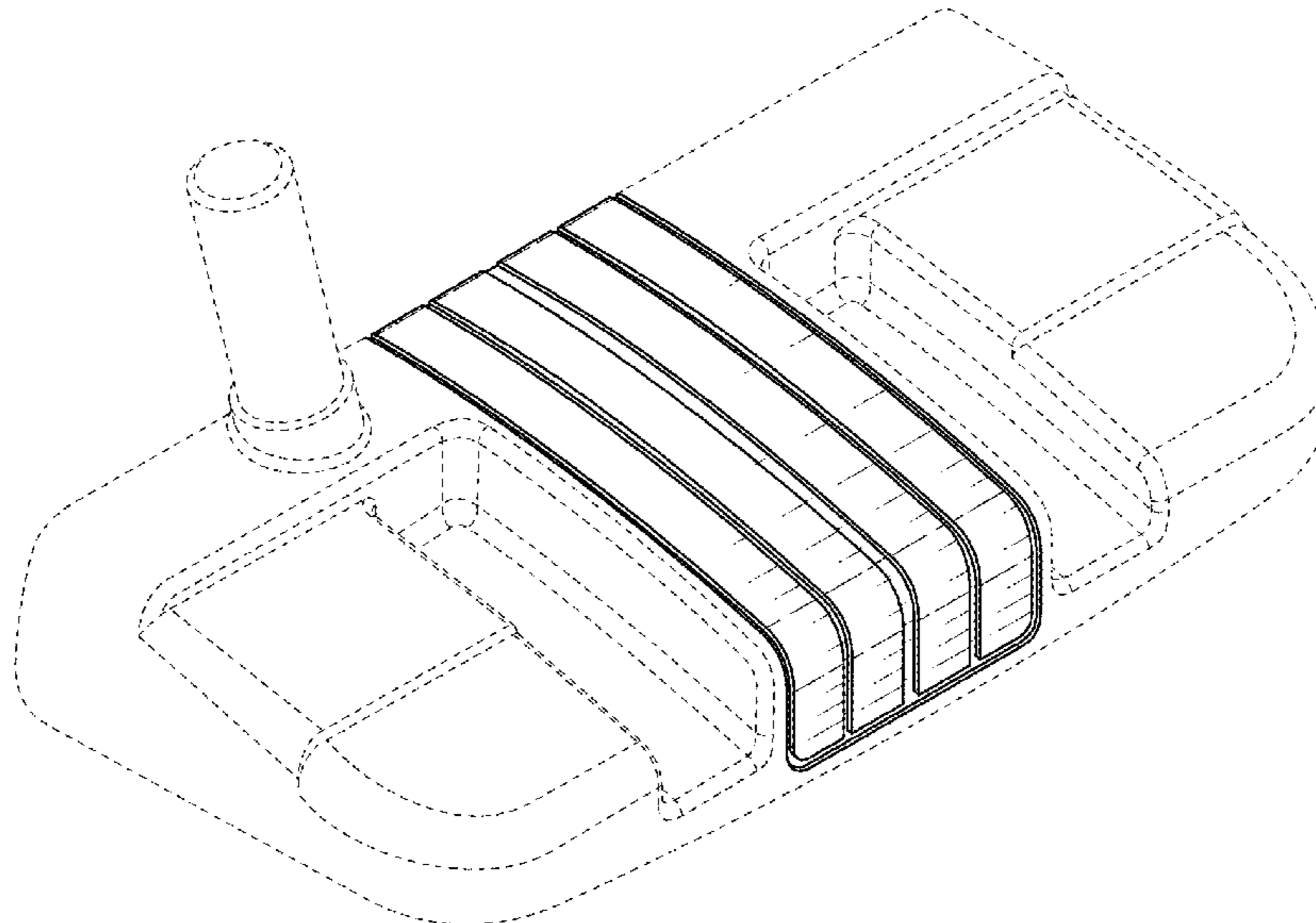
(57) **CLAIM**

The ornamental design for a putter head, as shown and described.

DESCRIPTION

FIG. 1 is a top perspective view of a first embodiment of the putter head claimed herein;
FIG. 2 is a rear elevational view thereof;
FIG. 3 is a front elevational view thereof;
FIG. 4 is a right side elevational view thereof;
FIG. 5 is a left side elevational view thereof;
FIG. 6 is a top plan view thereof; and,
FIG. 7 is a bottom plan view thereof.
The broken lines shown form no part of the claimed design.
The dash-dot lines are included as boundary lines and form no part of the claimed design.

1 Claim, 4 Drawing Sheets



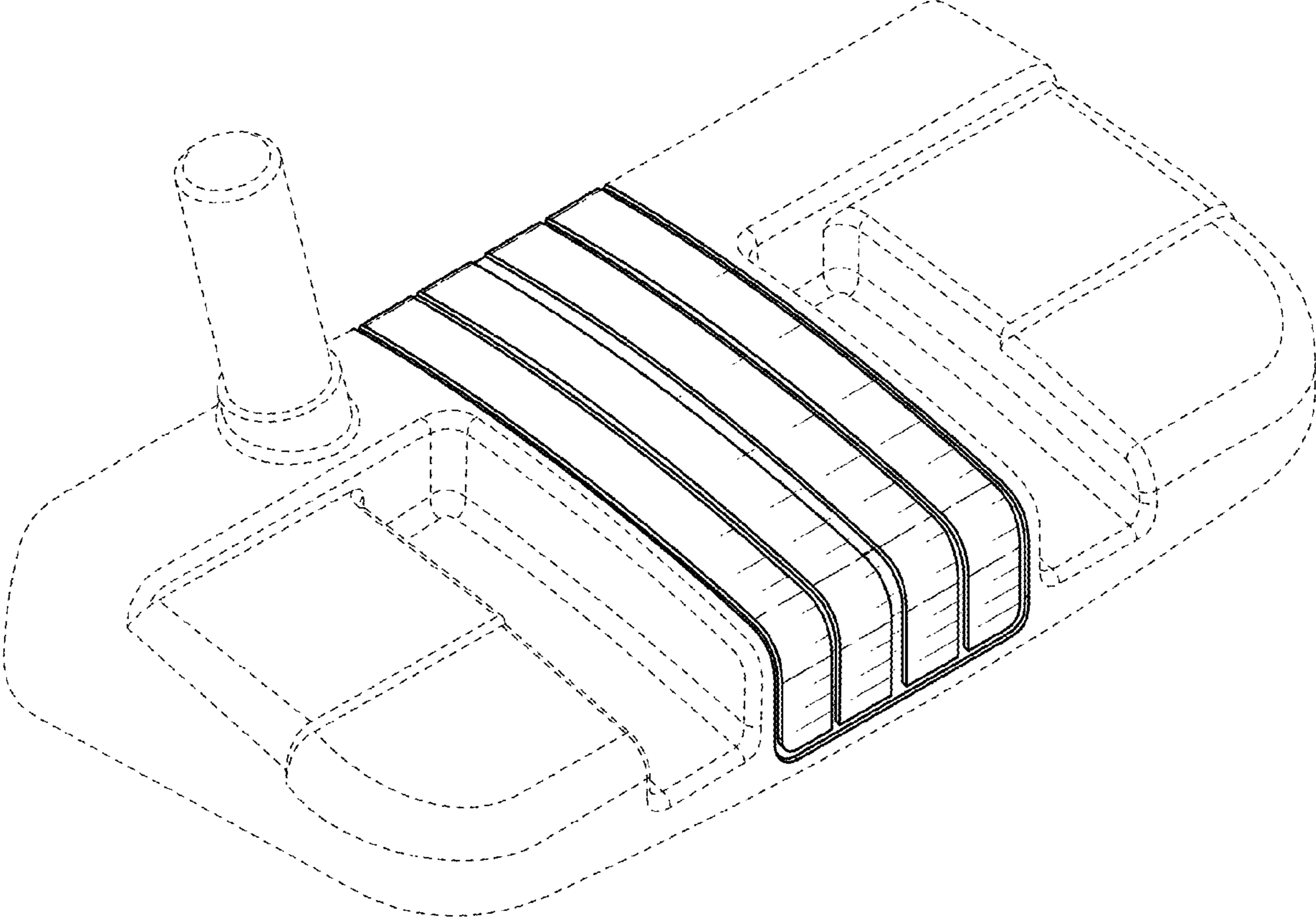


FIG. 1

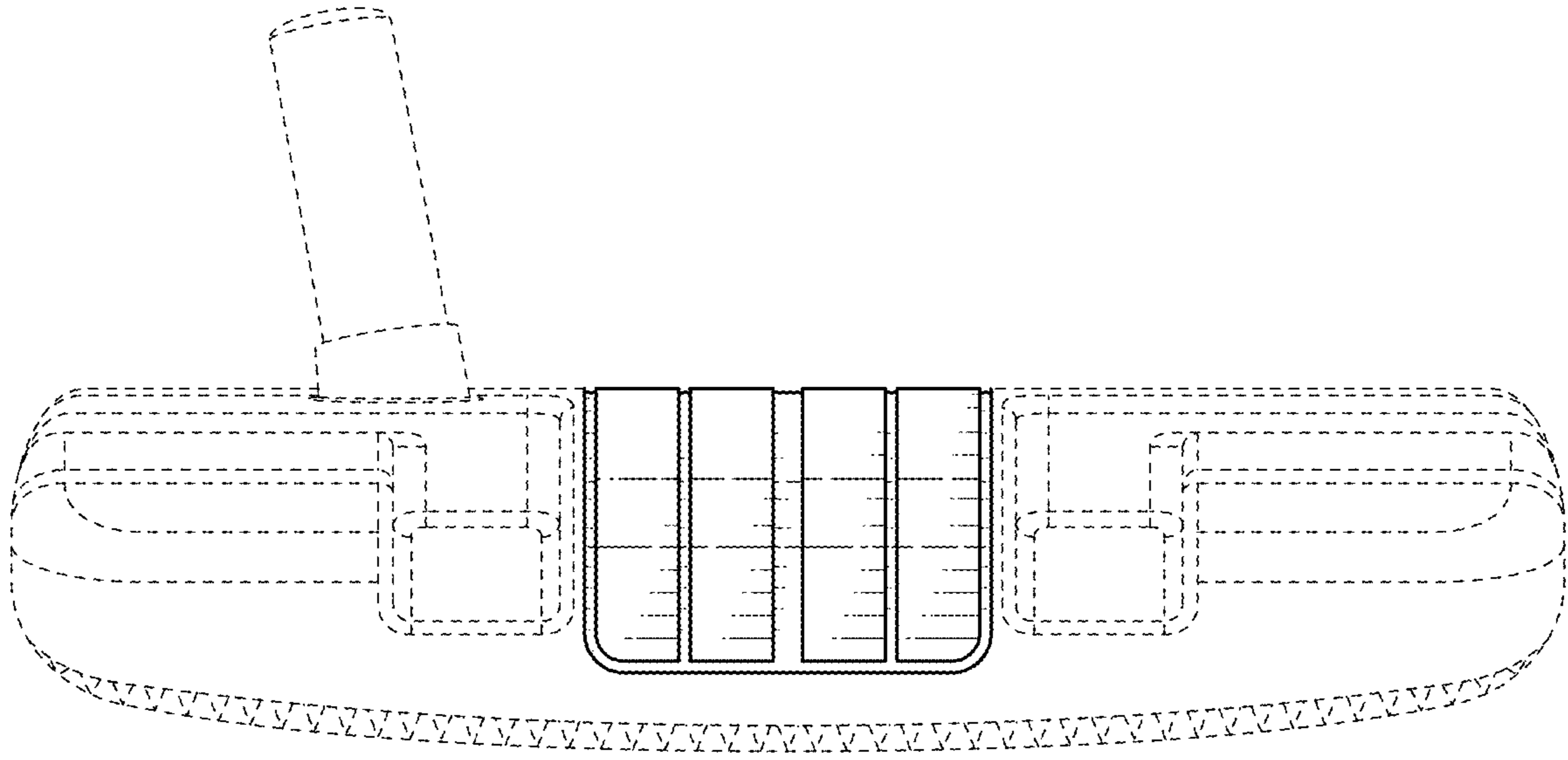


FIG. 2

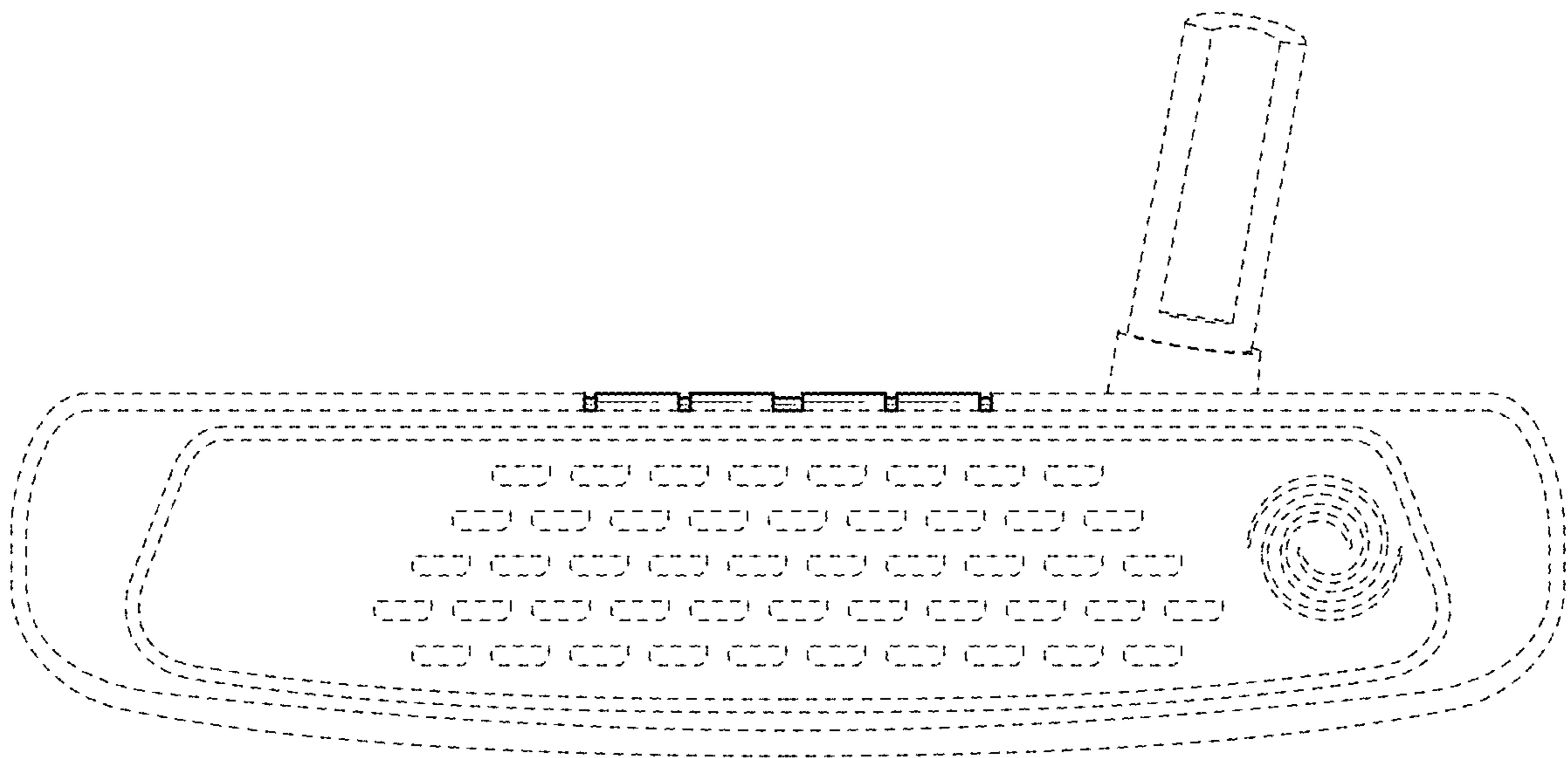


FIG. 3

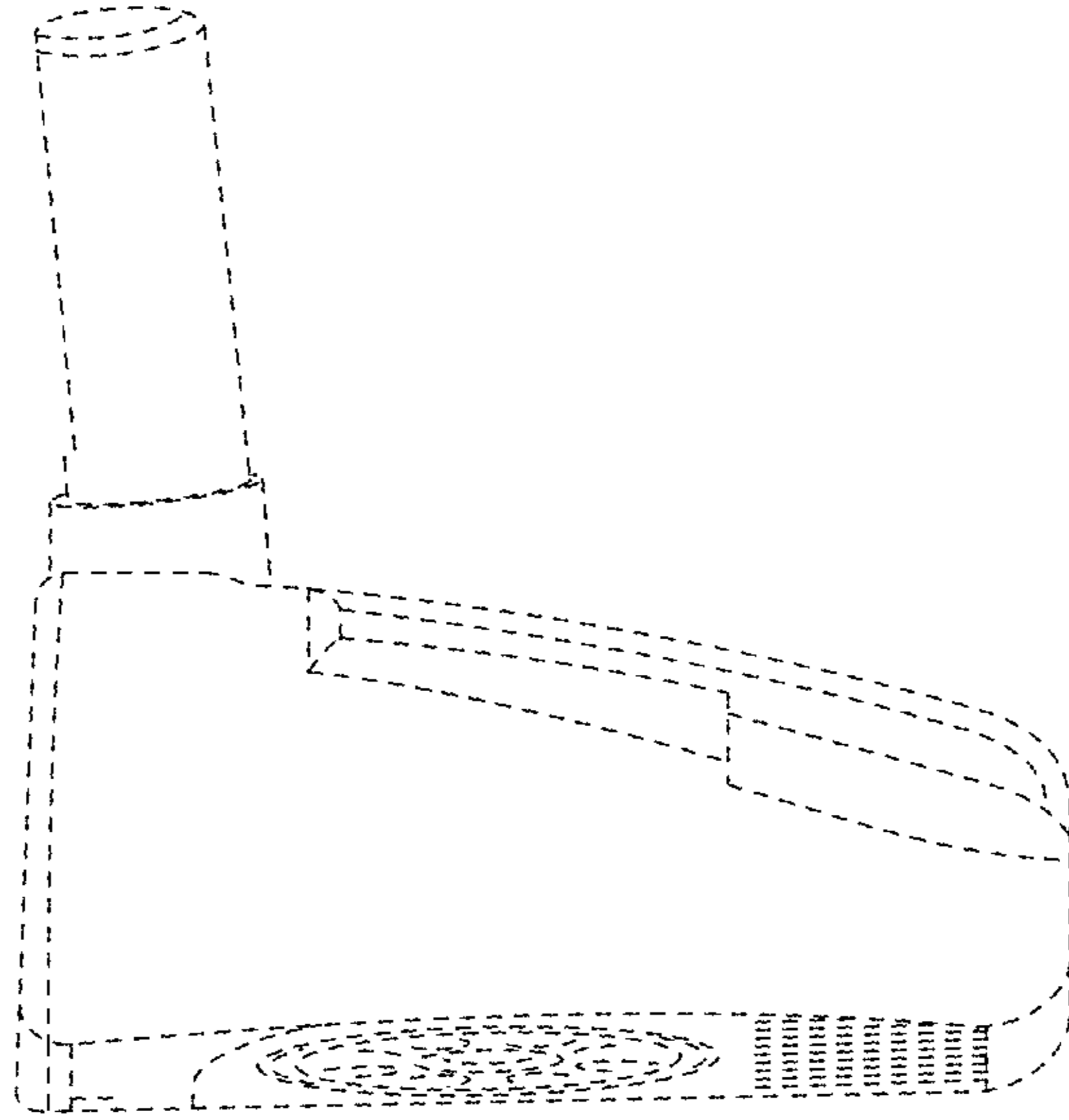


FIG. 4

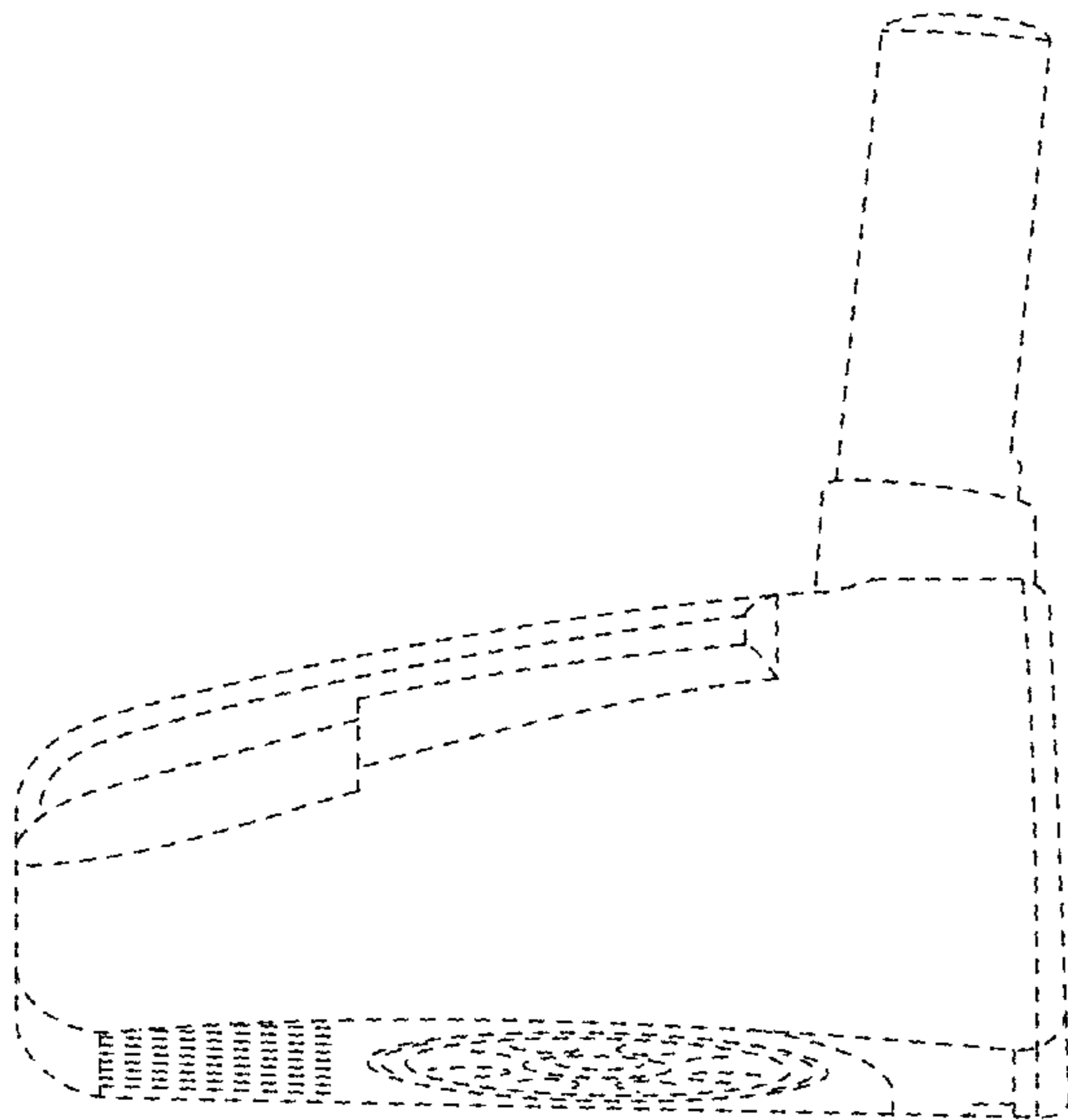


FIG. 5

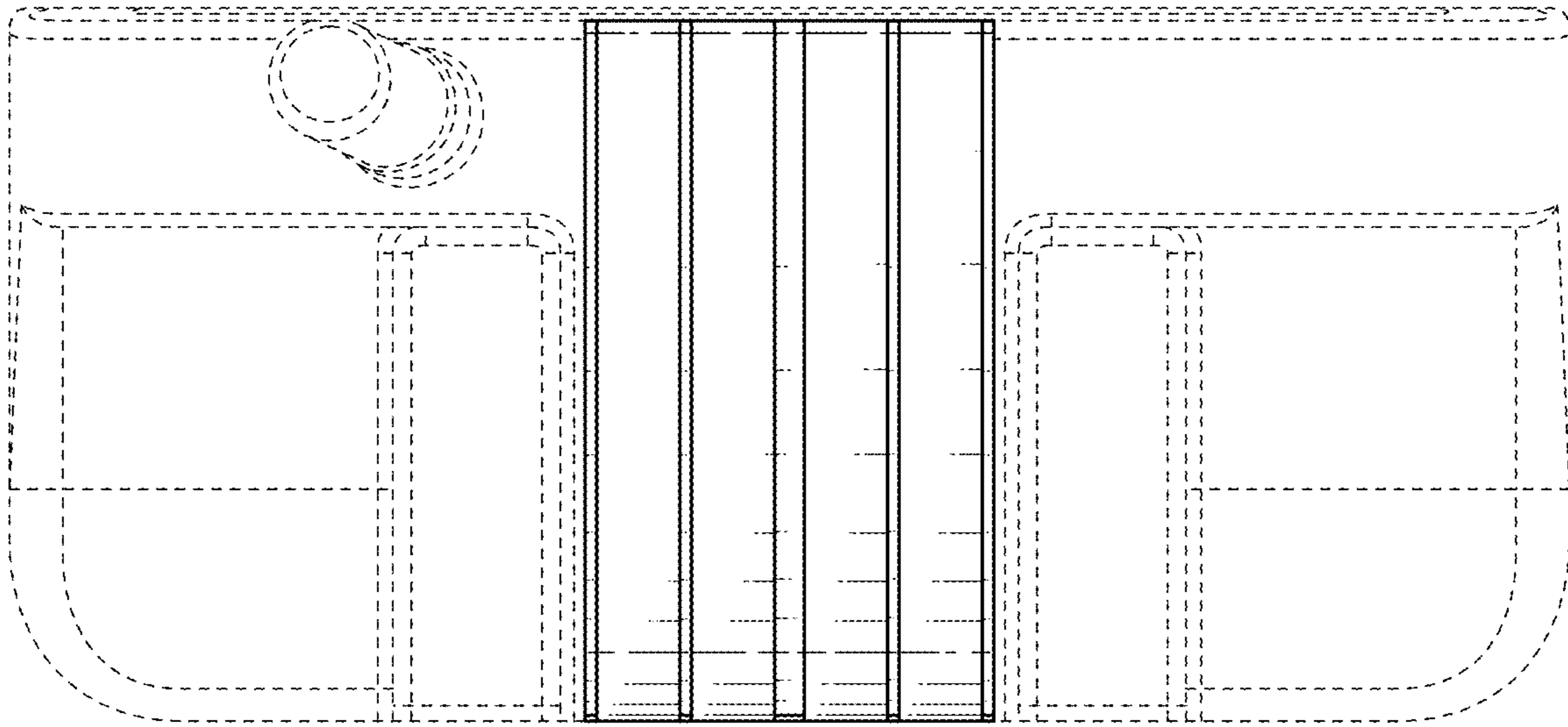


FIG. 6

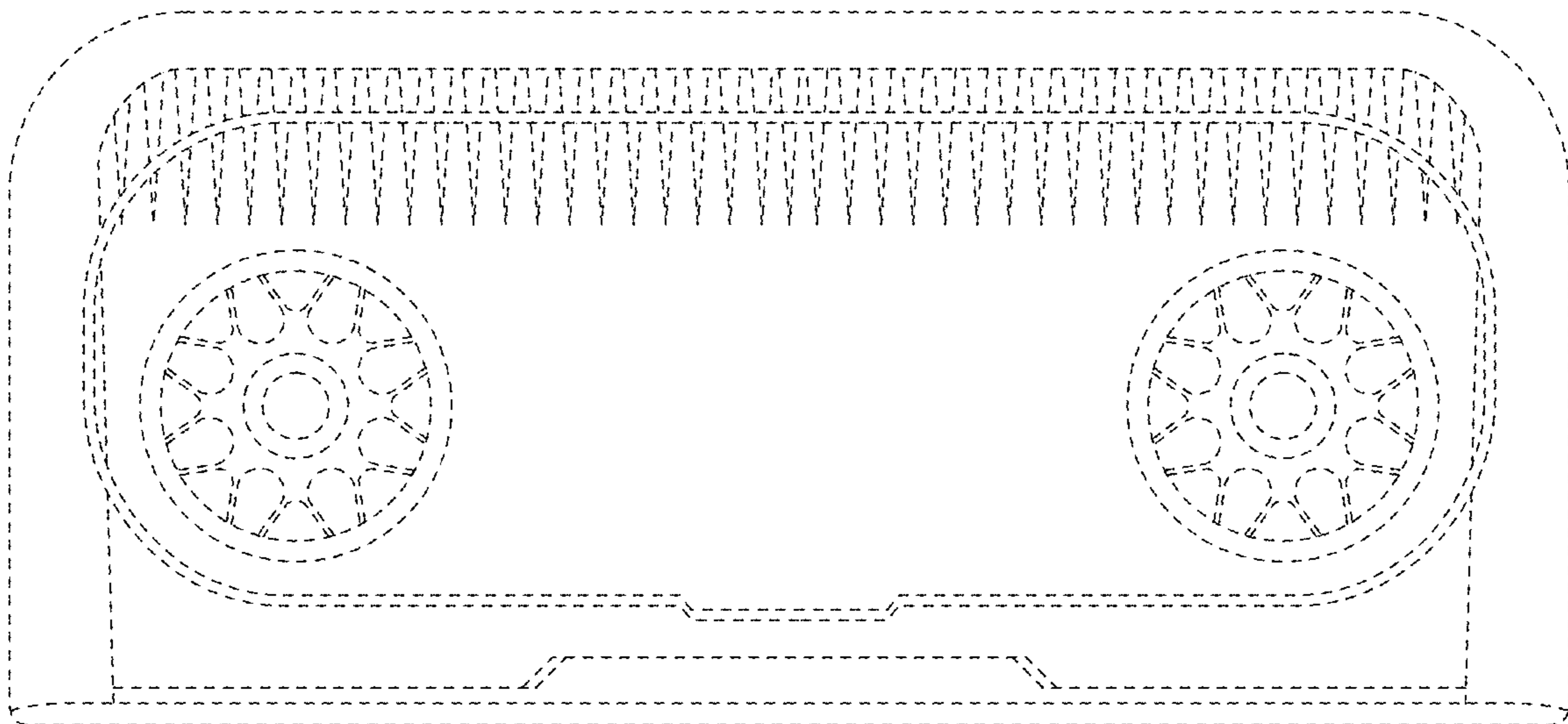


FIG. 7