



US00D907730S

(12) **United States Design Patent** (10) **Patent No.:** **US D907,730 S**  
**Rollinson et al.** (45) **Date of Patent:** **\*\* Jan. 12, 2021**

(54) **PUTTER HEAD**  
 (71) Applicant: **Callaway Golf Company**, Carlsbad, CA (US)  
 (72) Inventors: **Augustin W. Rollinson**, Solana Beach, CA (US); **Oliver G. Brewer**, San Diego, CA (US)  
 (73) Assignee: **Callaway Golf Company**, Carlsbad, CA (US)  
 (\*\*) Term: **15 Years**

D701,928 S *	4/2014	Cameron	.....	D21/736
D783,745 S *	4/2017	Chen	.....	D21/743
D809,616 S *	2/2018	Toulon	.....	D21/736
D824,462 S *	7/2018	Bruschi	.....	D21/736
D827,064 S *	8/2018	Wypych	.....	D21/743
D835,217 S *	12/2018	Nicolette	.....	D21/736
D837,911 S *	1/2019	Bruschi	.....	D21/736
D844,085 S *	3/2019	Nicolette	.....	D21/743
D844,723 S *	4/2019	Nicolette	.....	D21/743
D859,545 S *	9/2019	Long	.....	D21/736
D861,091 S *	9/2019	Glorioso	.....	D21/743
D864,325 S *	10/2019	Rollinson	.....	D21/743
D877,831 S *	3/2020	Cameron	.....	D21/736
D892,243 S *	8/2020	Rollinson	.....	D21/743
D895,037 S *	9/2020	Clarke	.....	D21/736
D896,328 S *	9/2020	Clarke	.....	D21/743

(21) Appl. No.: **29/698,920**  
 (22) Filed: **Jul. 22, 2019**  
 (51) **LOC (13) Cl.** ..... **21-02**  
 (52) **U.S. Cl.**  
 USPC ..... **D21/759**  
 (58) **Field of Classification Search**  
 USPC ..... D21/736-746, 759  
 CPC ..... A63B 53/00; A63B 53/04; A63B 53/007;  
 A63B 53/065; A63B 53/0487; A63B  
 60/00; A63B 60/46  
 See application file for complete search history.

\* cited by examiner

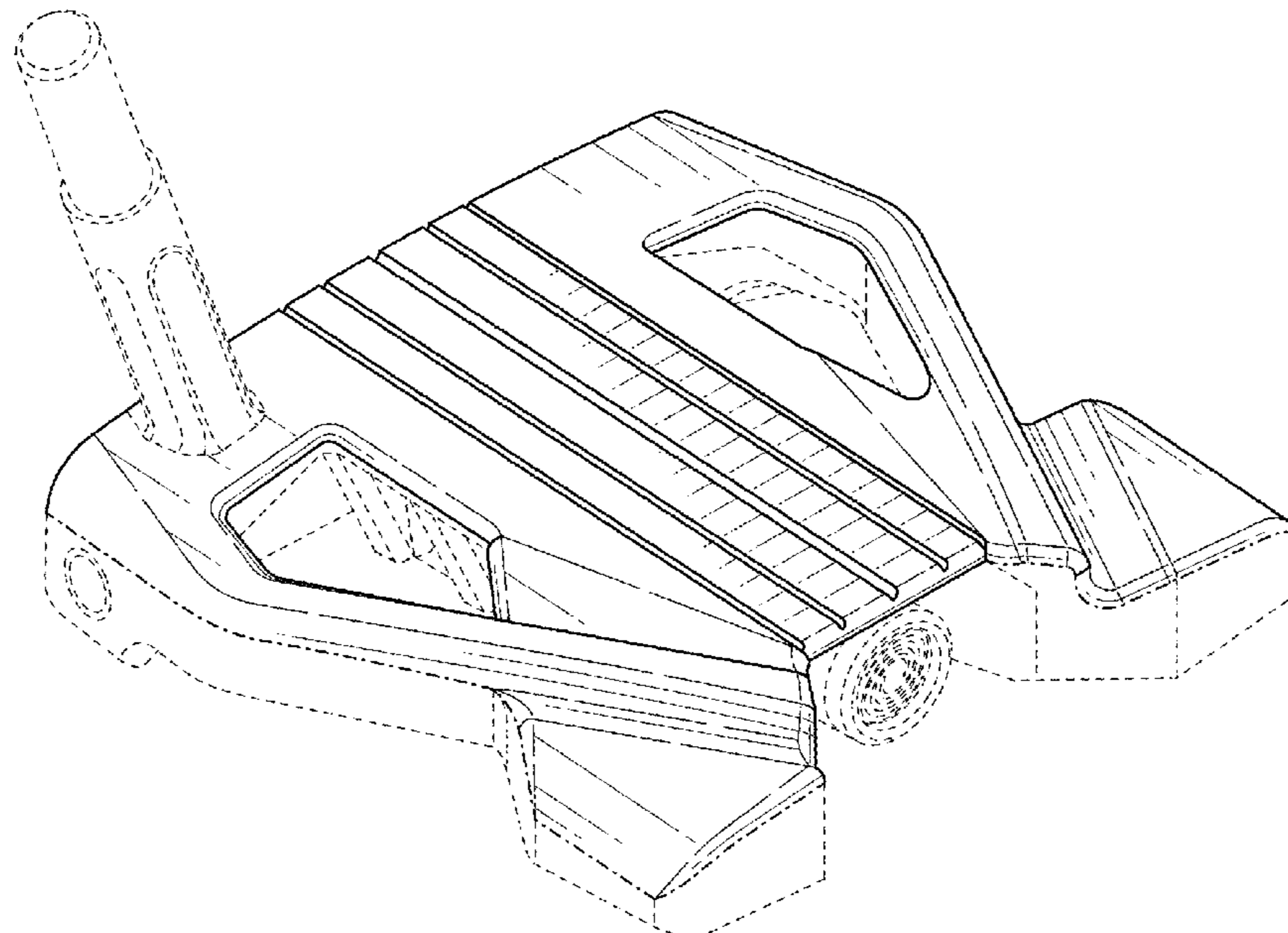
*Primary Examiner* — Mitchell I Siegel  
 (74) *Attorney, Agent, or Firm* — Rebecca Hanovice;  
 Michael Catania; Sonia Lari

(56) **References Cited**  
 U.S. PATENT DOCUMENTS  
 D520,583 S \* 5/2006 Rollinson ..... D21/742  
 D548,296 S \* 8/2007 Rollinson ..... D21/744  
 D557,361 S \* 12/2007 Rollinson ..... D21/743  
 D569,462 S \* 5/2008 Rollinson ..... D21/744  
 D575,366 S \* 8/2008 Rollinson ..... D21/744  
 D594,073 S \* 6/2009 Kadoya ..... D21/744  
 D595,370 S \* 6/2009 Ines ..... D21/736  
 D600,295 S \* 9/2009 Meeks ..... D21/744  
 D606,139 S \* 12/2009 Ines ..... D21/736  
 D607,952 S \* 1/2010 Demkowski ..... D21/743  
 D627,840 S \* 11/2010 Cameron ..... D21/736

(57) **CLAIM**  
 The ornamental design for a putter head, as shown and described.

**DESCRIPTION**  
 FIG. 1 is a top perspective view of the putter head claimed herein;  
 FIG. 2 is a rear elevational view thereof;  
 FIG. 3 is a front elevational view thereof;  
 FIG. 4 is a right side elevational view thereof;  
 FIG. 5 is a left side elevational view thereof;  
 FIG. 6 is a top plan view thereof; and,  
 FIG. 7 is a bottom plan view thereof.  
 The broken lines shown form no part of the claimed design.  
 The dash-dot lines are included as boundary lines and form no part of the claimed design.

**1 Claim, 5 Drawing Sheets**



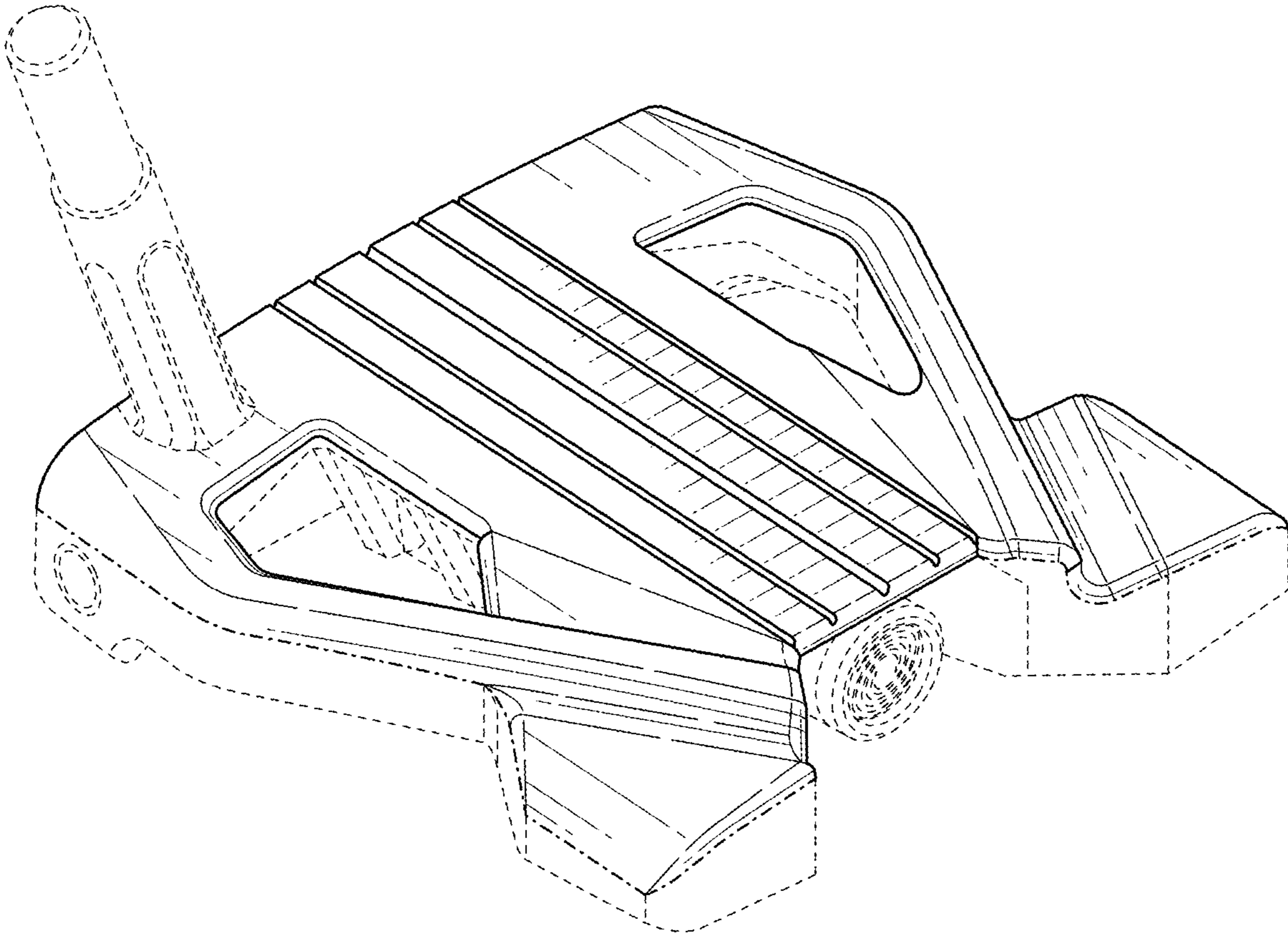


FIG. 1

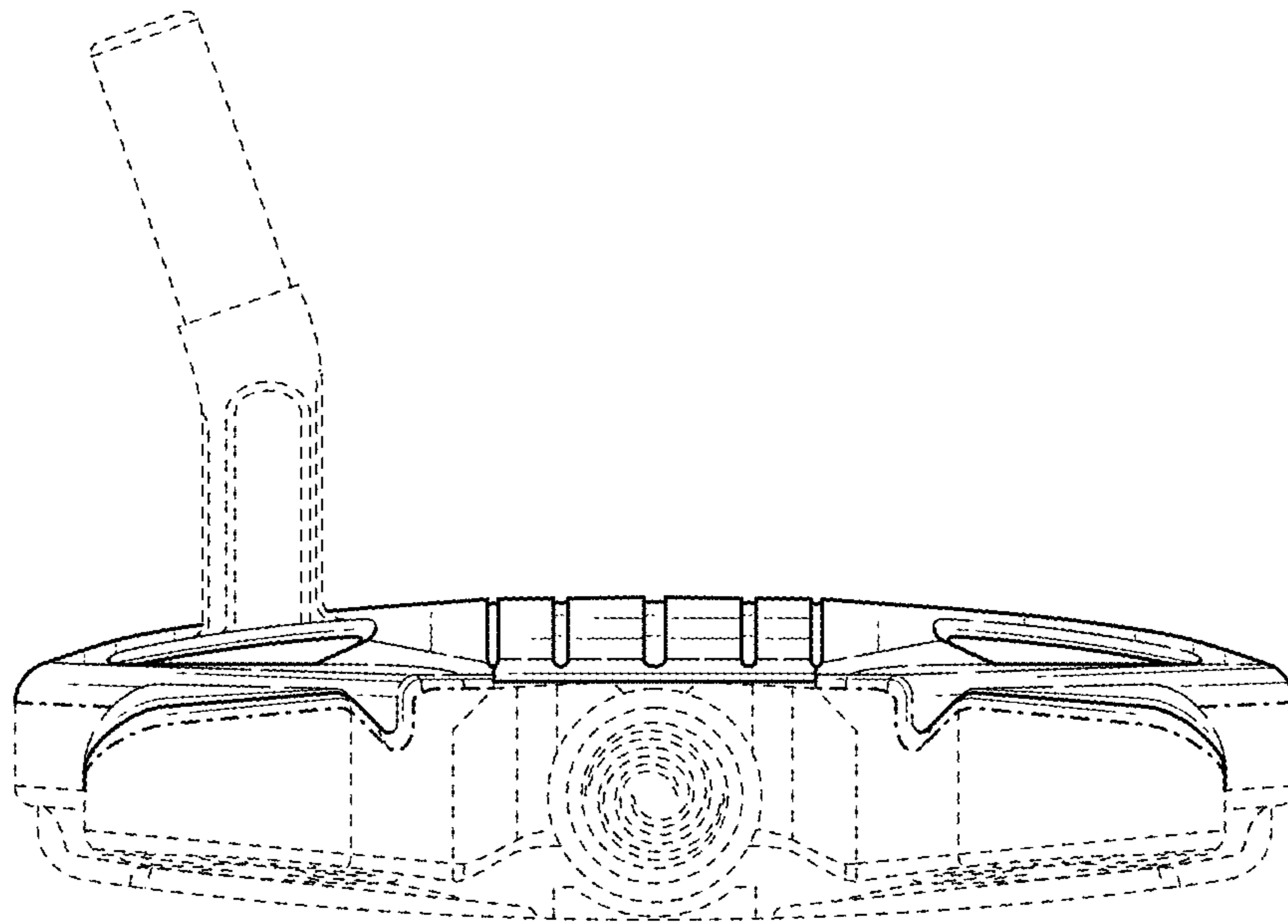


FIG. 2

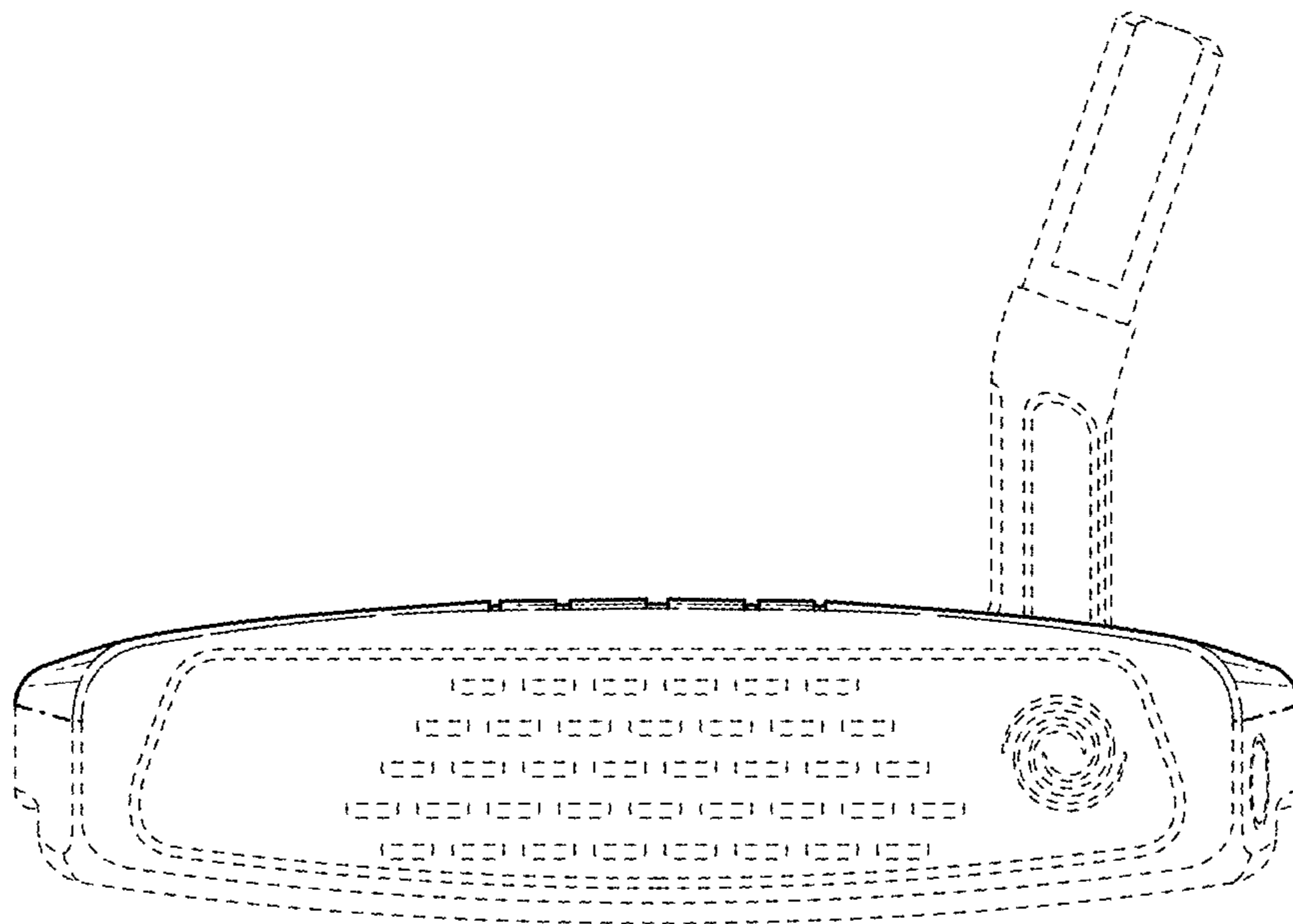


FIG. 3

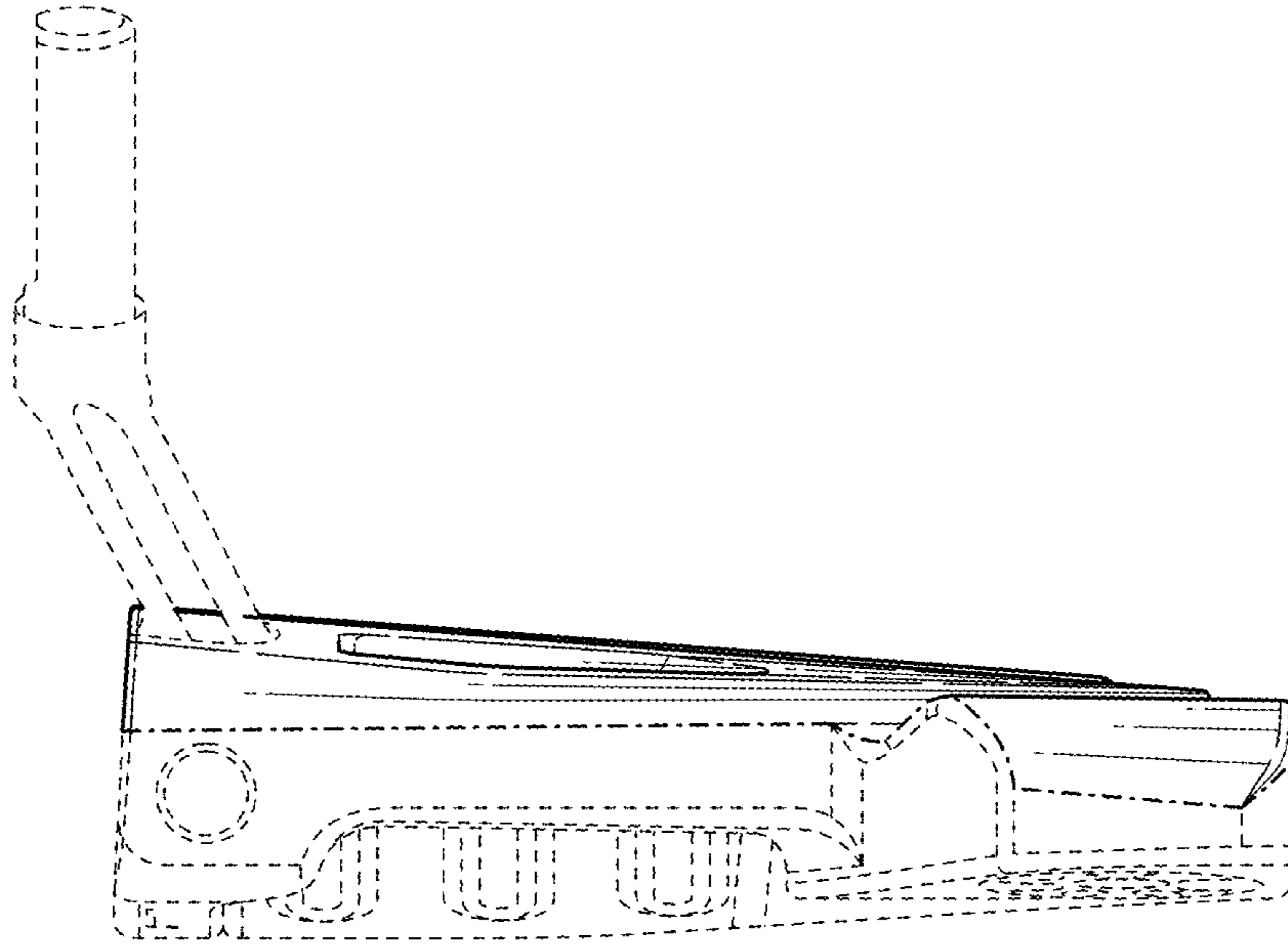


FIG. 4

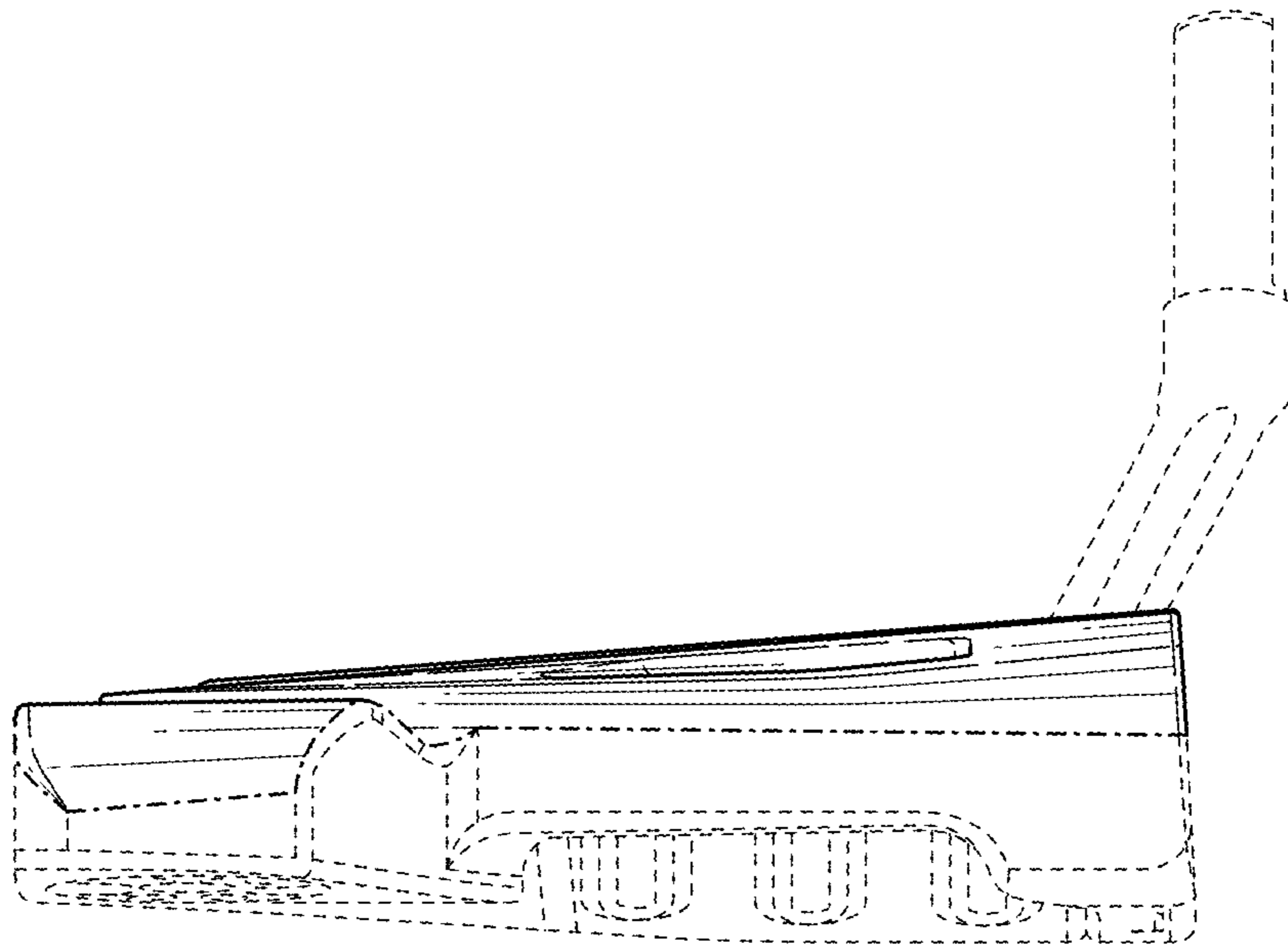


FIG. 5



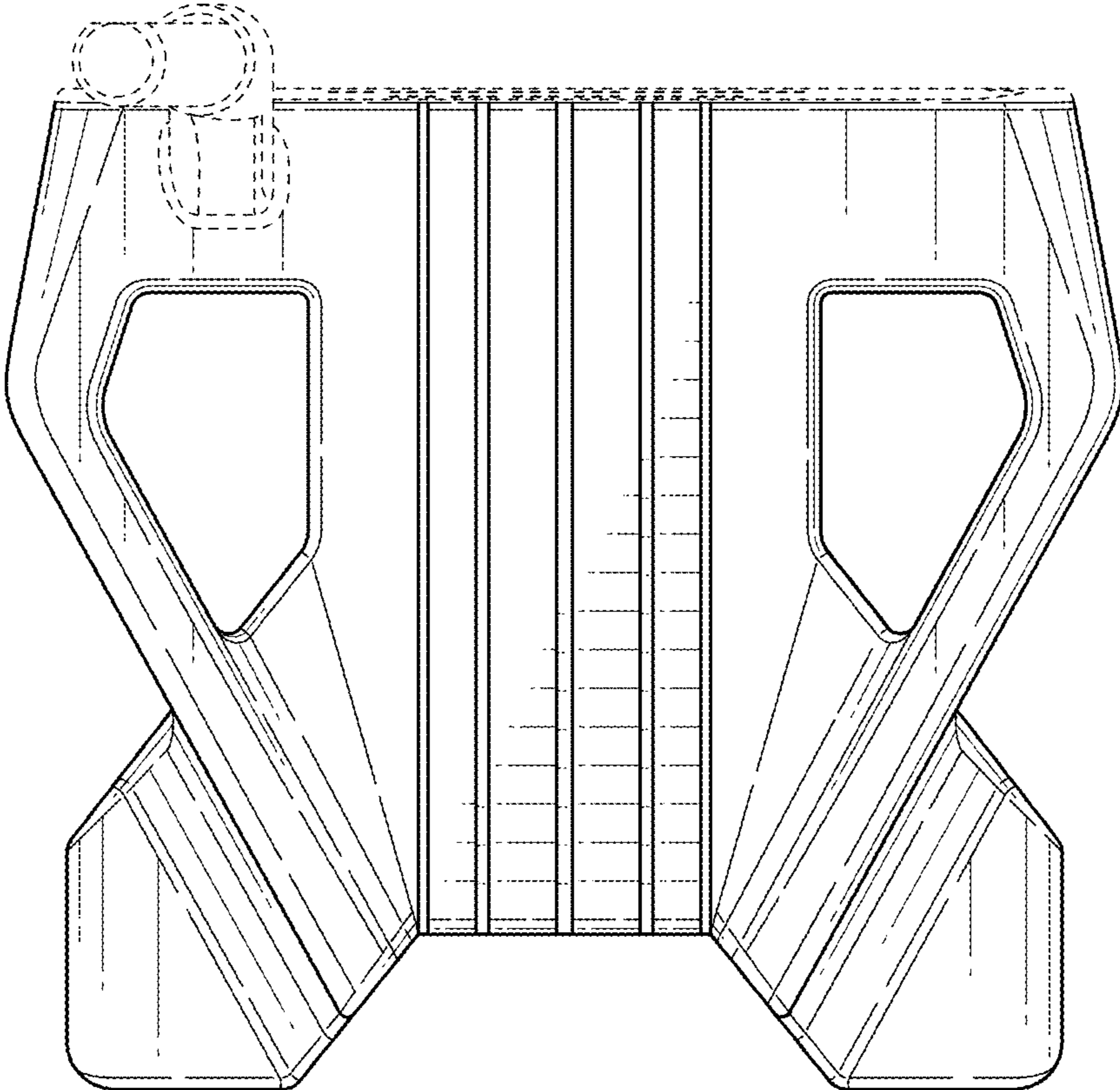


FIG. 6

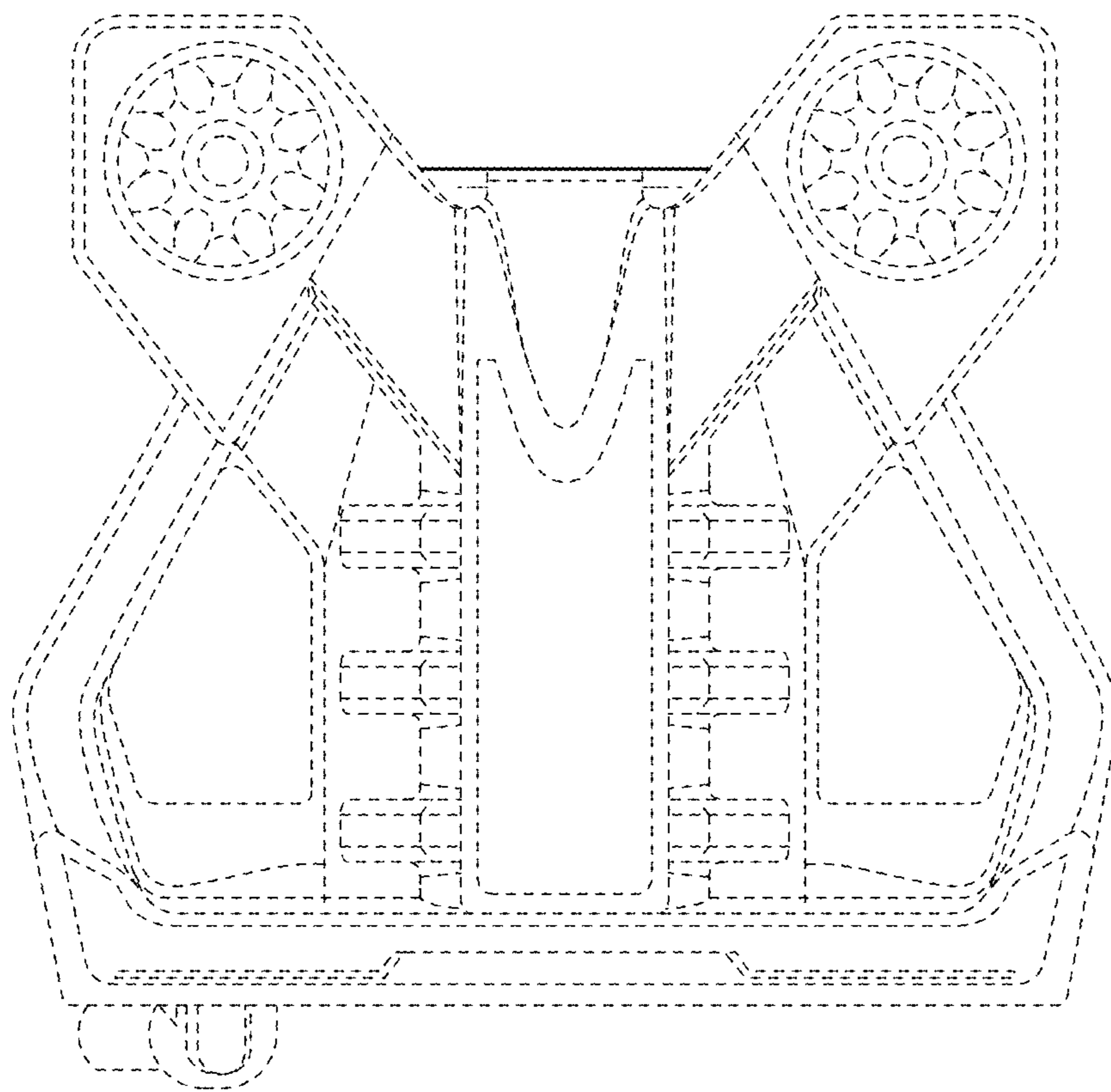


FIG. 7