



US00D907729S

(12) **United States Design Patent**
Kim

(10) **Patent No.:** **US D907,729 S**

(45) **Date of Patent:** **** Jan. 12, 2021**

(54) **GOLF CLUB HEAD**

(71) Applicant: **Callaway Golf Company**, Carlsbad, CA (US)

(72) Inventor: **Wee Joung Kim**, Vista, CA (US)

(73) Assignee: **Callaway Golf Company**, Carlsbad, CA (US)

(**) Term: **15 Years**

(21) Appl. No.: **29/698,506**

(22) Filed: **Jul. 17, 2019**

(51) **LOC (13) Cl.** **21-02**

(52) **U.S. Cl.**
USPC **D21/752**

(58) **Field of Classification Search**
USPC D21/733, 752, 759
CPC A63B 53/00; A63B 53/04; A63B 53/0466;
A63B 2053/002; A63B 2053/0445; A63B
2053/0433; A63B 2053/0491; A63B
2053/0437; A63B 60/00; A63B 60/46
See application file for complete search history.

(56) **References Cited**

U.S. PATENT DOCUMENTS

D509,552 S *	9/2005	Madore	D21/752
D513,424 S *	1/2006	Erickson	D21/752
D518,543 S *	4/2006	Aguinaldo	D21/759
D534,600 S *	1/2007	Tang	D21/752
D535,342 S *	1/2007	Evans	D21/752
D538,866 S *	3/2007	Kim	D21/752
D569,463 S *	5/2008	Tang	D21/752
D578,174 S *	10/2008	Tang	D21/752
D617,860 S *	6/2010	Foster	D21/752
D656,210 S *	3/2012	Foster	D21/752
D656,211 S *	3/2012	Foster	D21/752
D687,110 S *	7/2013	Engel	D21/759
D689,156 S *	9/2013	Stokke	D21/759

D710,471 S *	8/2014	Kim	D21/759
D710,472 S *	8/2014	Kim	D21/759
D711,994 S *	8/2014	Kim	D21/759
D713,902 S *	9/2014	Kono	D21/759
D725,729 S *	3/2015	Song	D21/752
D726,847 S *	4/2015	Song	D21/752
D726,848 S *	4/2015	Song	D21/752
D726,852 S *	4/2015	Song	D21/759
D733,824 S *	7/2015	Tang	D21/759
D736,877 S *	8/2015	Foster	D21/759
D765,805 S *	9/2016	Song	D21/752
D801,465 S *	10/2017	Tang	D21/759
D812,168 S *	3/2018	Kim	D21/759
D812,702 S *	3/2018	Tang	D21/752
D812,703 S *	3/2018	Tang	D21/752
D813,328 S *	3/2018	Tang	D21/752
D813,329 S *	3/2018	Tang	D21/752
D814,584 S *	4/2018	Tang	D21/759

(Continued)

Primary Examiner — Mitchell I. Siegel

(74) *Attorney, Agent, or Firm* — Rebecca Hanovice;
Michael Catania

(57) **CLAIM**

The ornamental design for a golf club head, as shown and described.

DESCRIPTION

FIG. 1 is a rear perspective view of the golf club head claimed herein;

FIG. 2 is a front elevational view thereof;

FIG. 3 is a rear elevational view thereof;

FIG. 4 is a left side elevational view thereof;

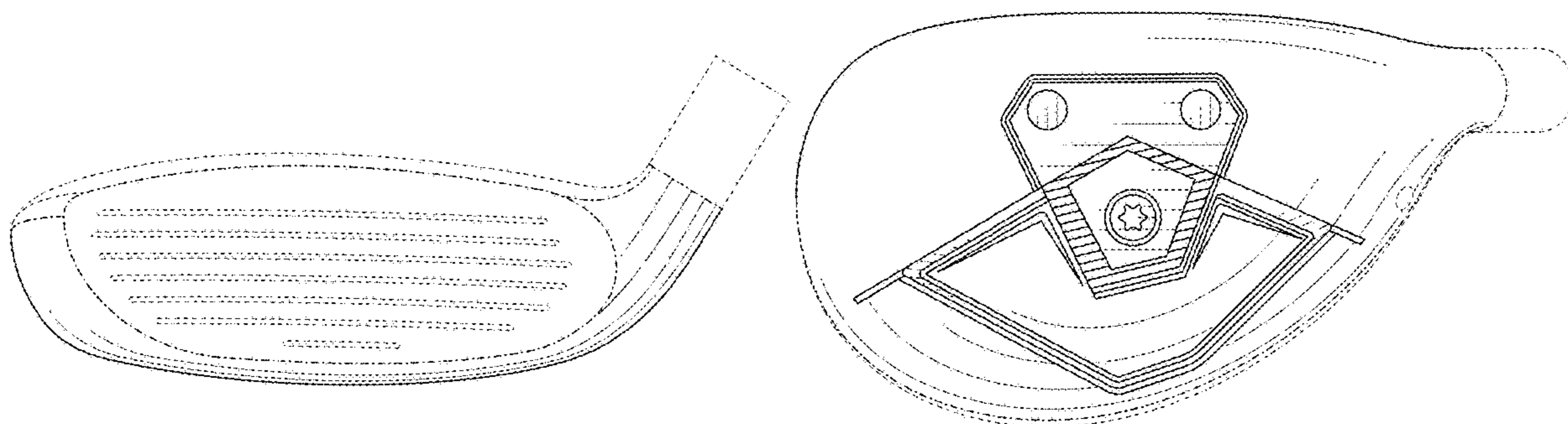
FIG. 5 is a right side elevational view thereof;

FIG. 6 is a top plan view thereof; and,

FIG. 7 is a bottom plan view thereof.

The broken lines shown on the drawing views form no part of the claimed design. The dash-dot broken lines are included as boundary lines and form no part of the claimed design.

1 Claim, 4 Drawing Sheets



(56)

References Cited

U.S. PATENT DOCUMENTS

D832,957 S	*	11/2018	Tang	D21/759
D834,118 S	*	11/2018	Song	D21/759
D851,719 S	*	6/2019	Kim	D21/752
D867,502 S	*	11/2019	Song	D21/752
D867,503 S	*	11/2019	Chun	D21/752
D884,100 S	*	5/2020	Kitching, Jr.	D21/759
D885,502 S	*	5/2020	Tsuchihashi	D21/752
D885,503 S	*	5/2020	Tsuchihashi	D21/752
D885,504 S	*	5/2020	Tsuchihashi	D21/752
D897,467 S	*	9/2020	Kim	D21/759

* cited by examiner

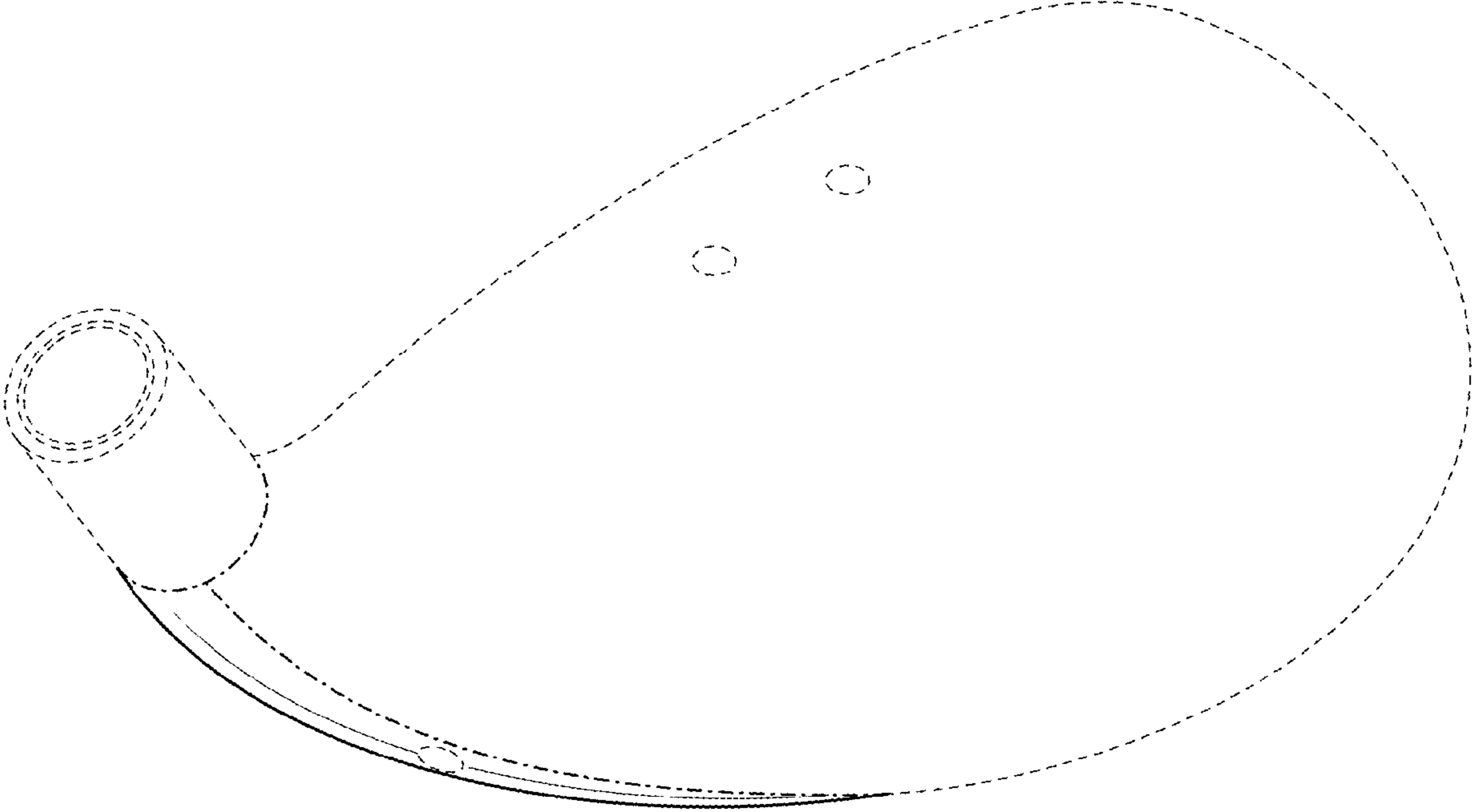


FIG. 1

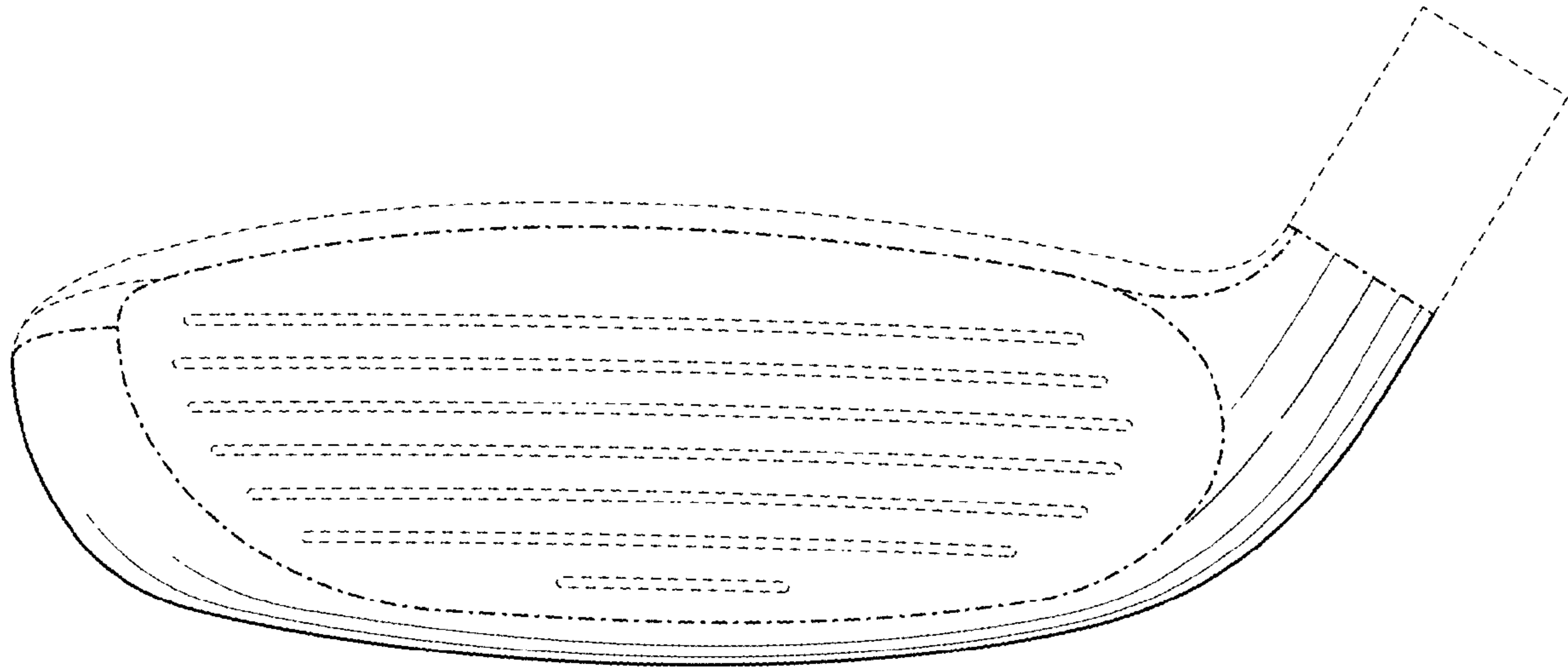


FIG. 2

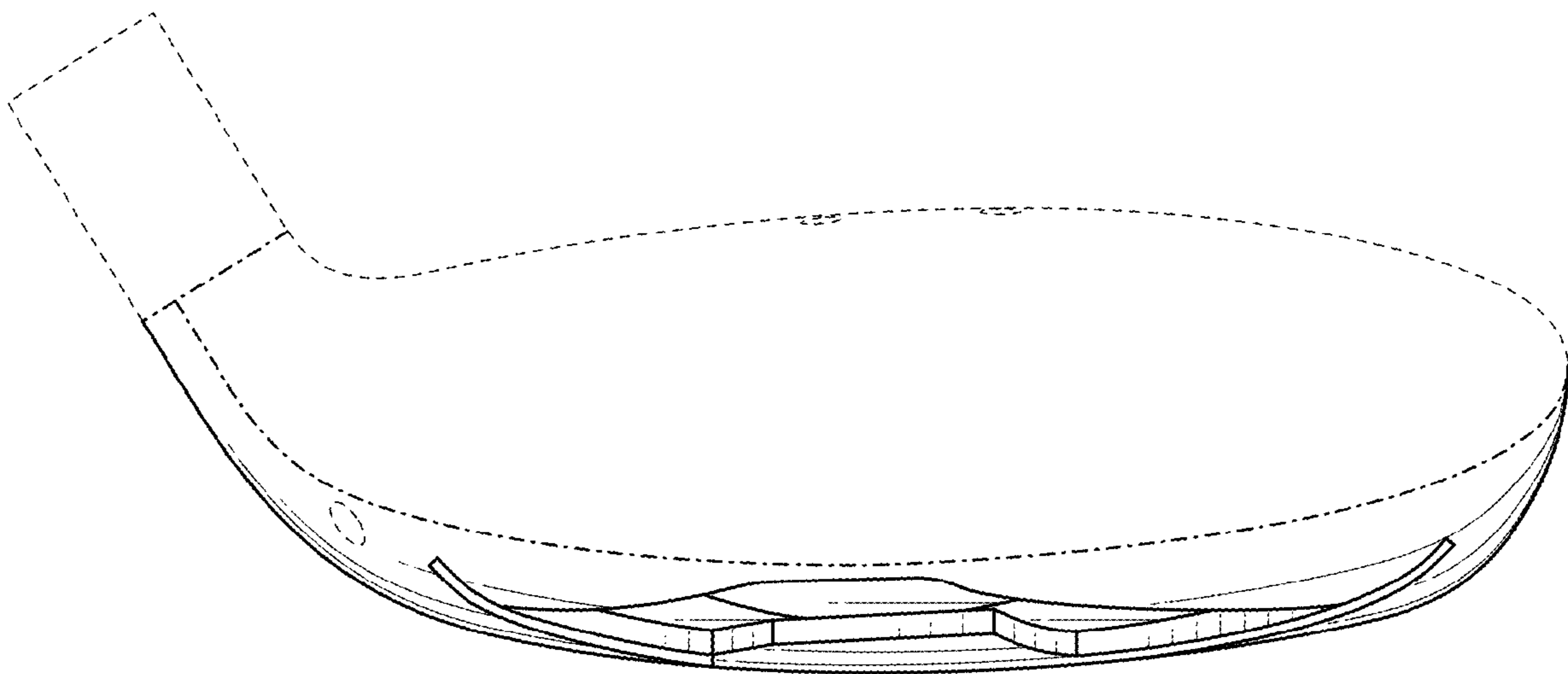


FIG. 3

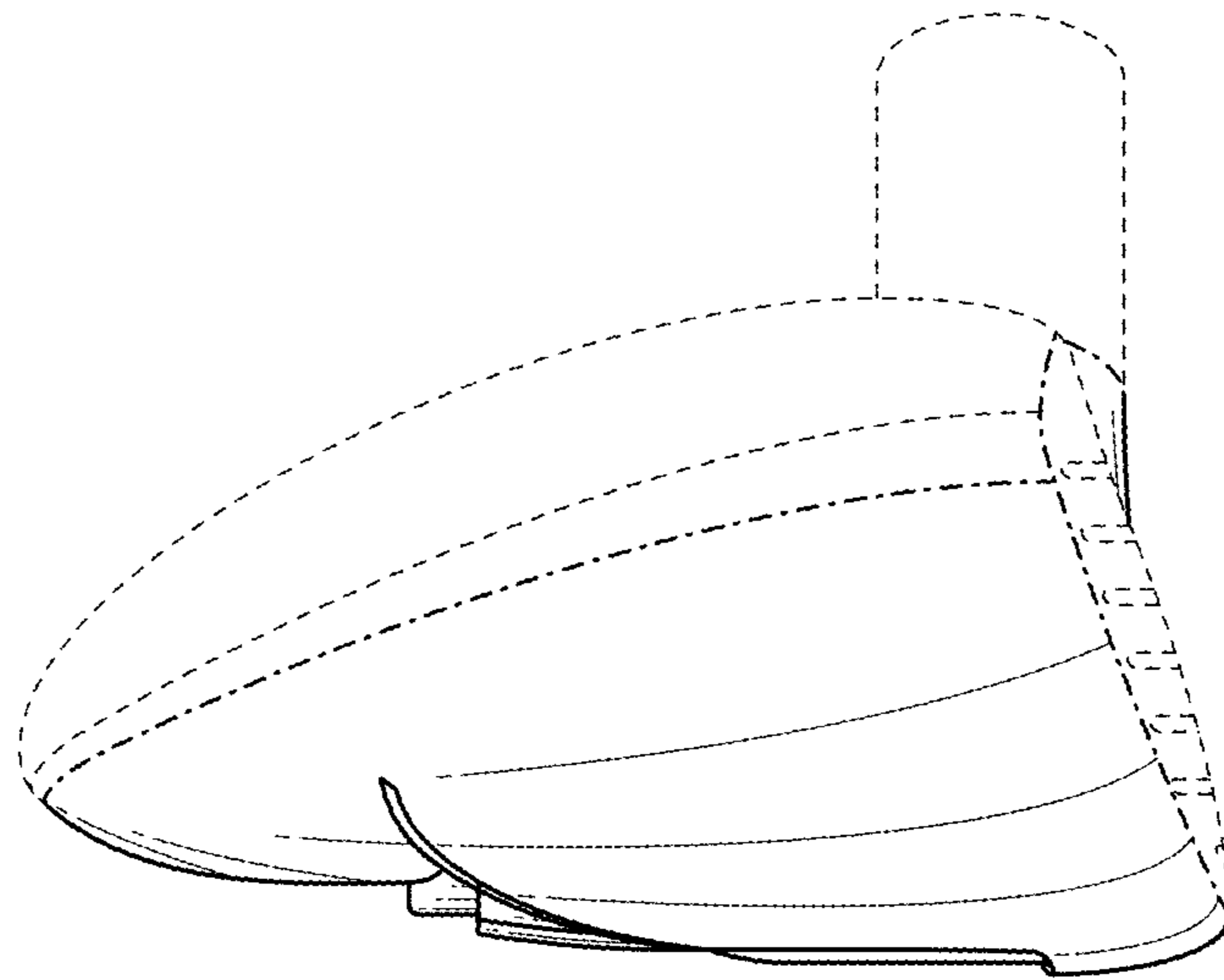


FIG. 4

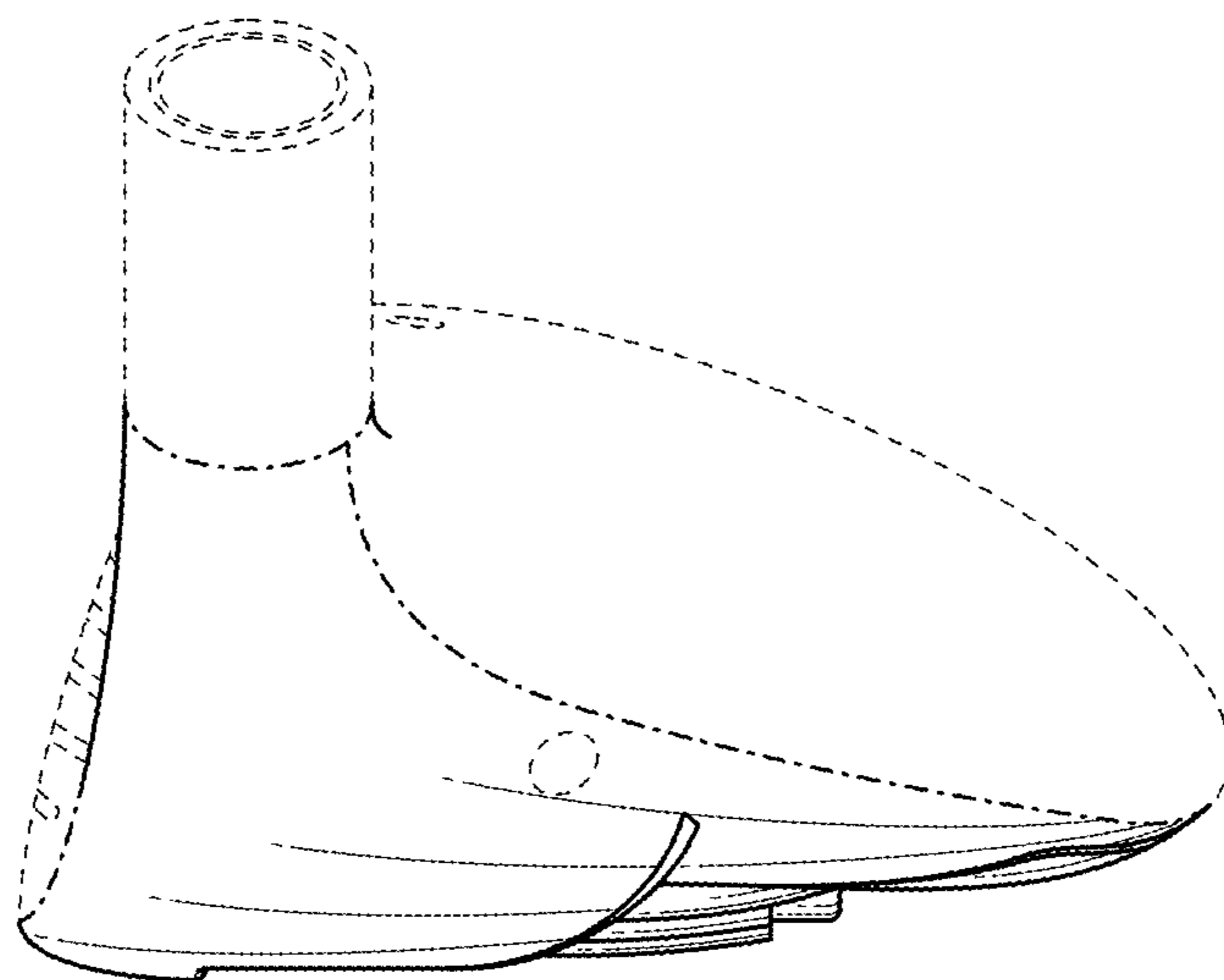


FIG. 5

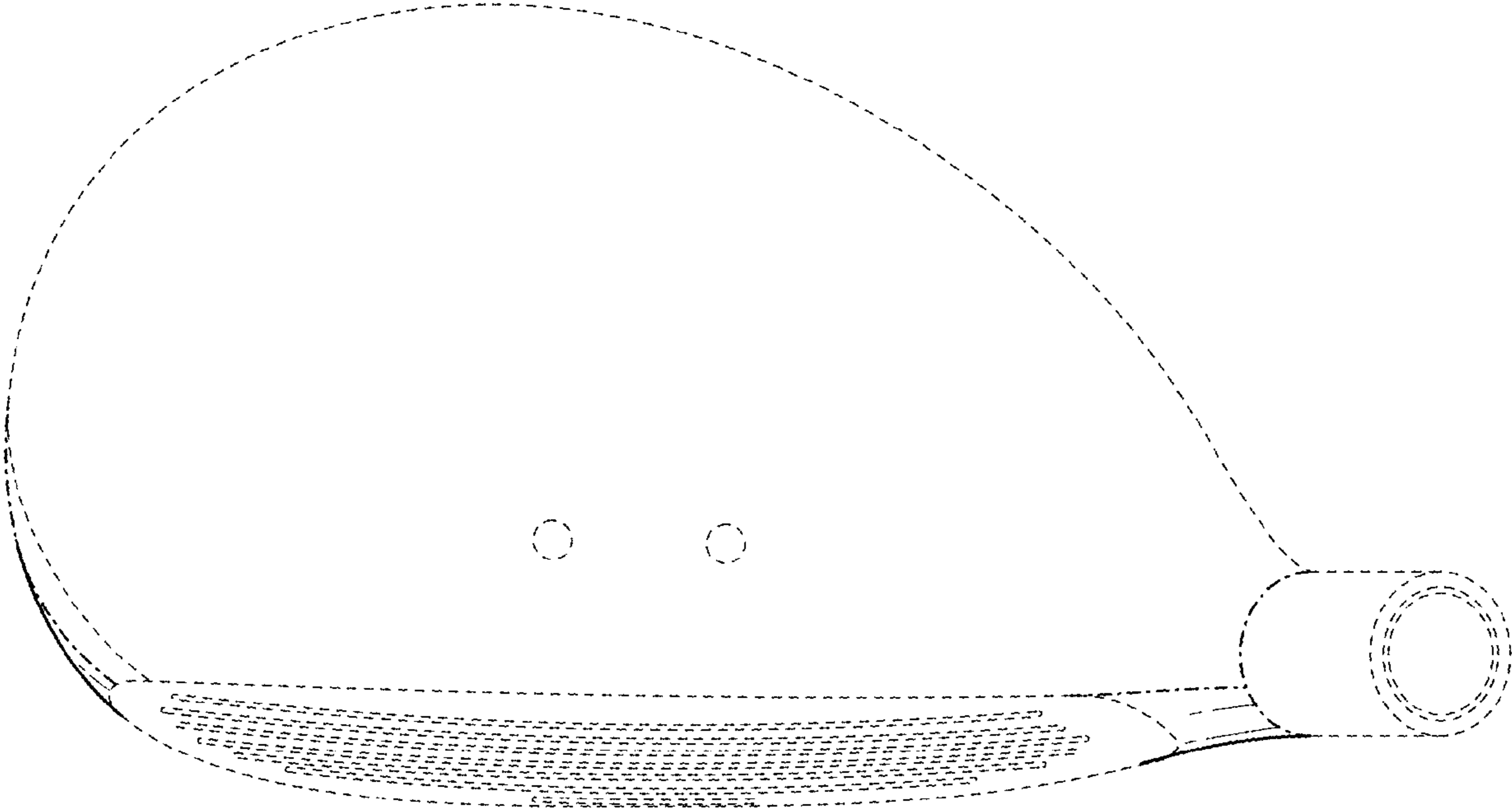


FIG. 6

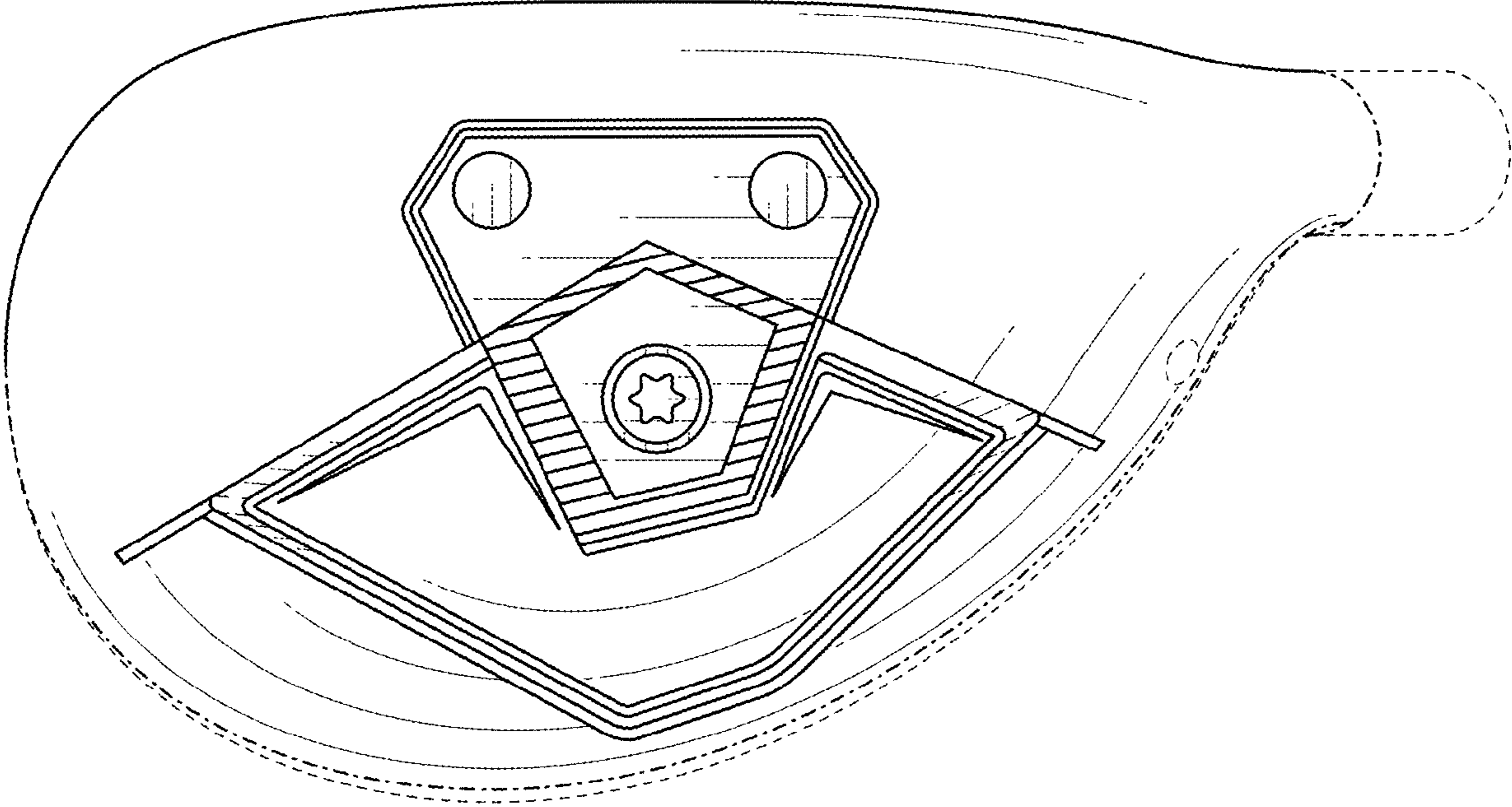


FIG. 7