



US00D907726S

(12) **United States Design Patent** (10) **Patent No.:** **US D907,726 S**  
**Gluba** (45) **Date of Patent:** **\*\* Jan. 12, 2021**

(54) **WEIGHT RACK ATTACHMENT**

**DESCRIPTION**

(71) Applicant: **Coulter Ventures, LLC.**, Columbus, OH (US)  
(72) Inventor: **Daniel Gluba**, Davenport, IA (US)  
(73) Assignee: **Coulter Ventures, LLC.**, Columbus, OH (US)  
(\*\*) Term: **15 Years**  
(21) Appl. No.: **29/690,372**  
(22) Filed: **May 7, 2019**  
(51) **LOC (13) Cl.** ..... **21-02**  
(52) **U.S. Cl.**  
USPC ..... **D21/694**  
(58) **Field of Classification Search**  
USPC ..... D21/694, 686, 676, 673, 690, 681, 680,  
D21/682, 688, 663, 679, 691, 674;  
(Continued)

FIG. 1 is a top, front, right perspective view of a first embodiment of a weight rack attachment, showing my new design;  
FIG. 2 is a top view thereof;  
FIG. 3 is a bottom view thereof;  
FIG. 4 is a front view thereof;  
FIG. 5 is a rear view thereof;  
FIG. 6 is a right side view thereof;  
FIG. 7 is a left side view thereof;  
FIG. 8 is a top, front, right perspective view of a second embodiment of a weight rack attachment showing my new design of FIGS. 1-7 with selected features disclaimed;  
FIG. 9 is a top view thereof;  
FIG. 10 is a bottom view thereof;  
FIG. 11 is a front view thereof;  
FIG. 12 is a rear view thereof;  
FIG. 13 is a right side view thereof;  
FIG. 14 is a left side view thereof;  
FIG. 15 is a top, front, left perspective view of a third embodiment of a weight rack attachment showing my new design;  
FIG. 16 is a top view thereof;  
FIG. 17 is a bottom view thereof;  
FIG. 18 is a front view thereof;  
FIG. 19 is a rear view thereof;  
FIG. 20 is a right side view thereof;  
FIG. 21 is a left side view thereof;  
FIG. 22 is a top, front, left perspective view of a fourth embodiment of a weight rack attachment showing my new design of FIGS. 15-21, with selected features disclaimed;  
FIG. 23 is a top view thereof;  
FIG. 24 is a bottom view thereof;  
FIG. 25 is a front view thereof;  
FIG. 26 is a rear view thereof;  
FIG. 27 is a right side view thereof; and,  
FIG. 28 is a left side view thereof.  
The broken lines immediately adjacent to the shaded area define the bounds of the claimed design and form no part thereof. The broken lines depicting the remainder of the set of weight rack attachments show portions that form no part of the claimed design.

(56) **References Cited**

**U.S. PATENT DOCUMENTS**

2,673,737 A 3/1954 Daniels  
3,006,643 A 10/1961 Ryan  
(Continued)

**OTHER PUBLICATIONS**

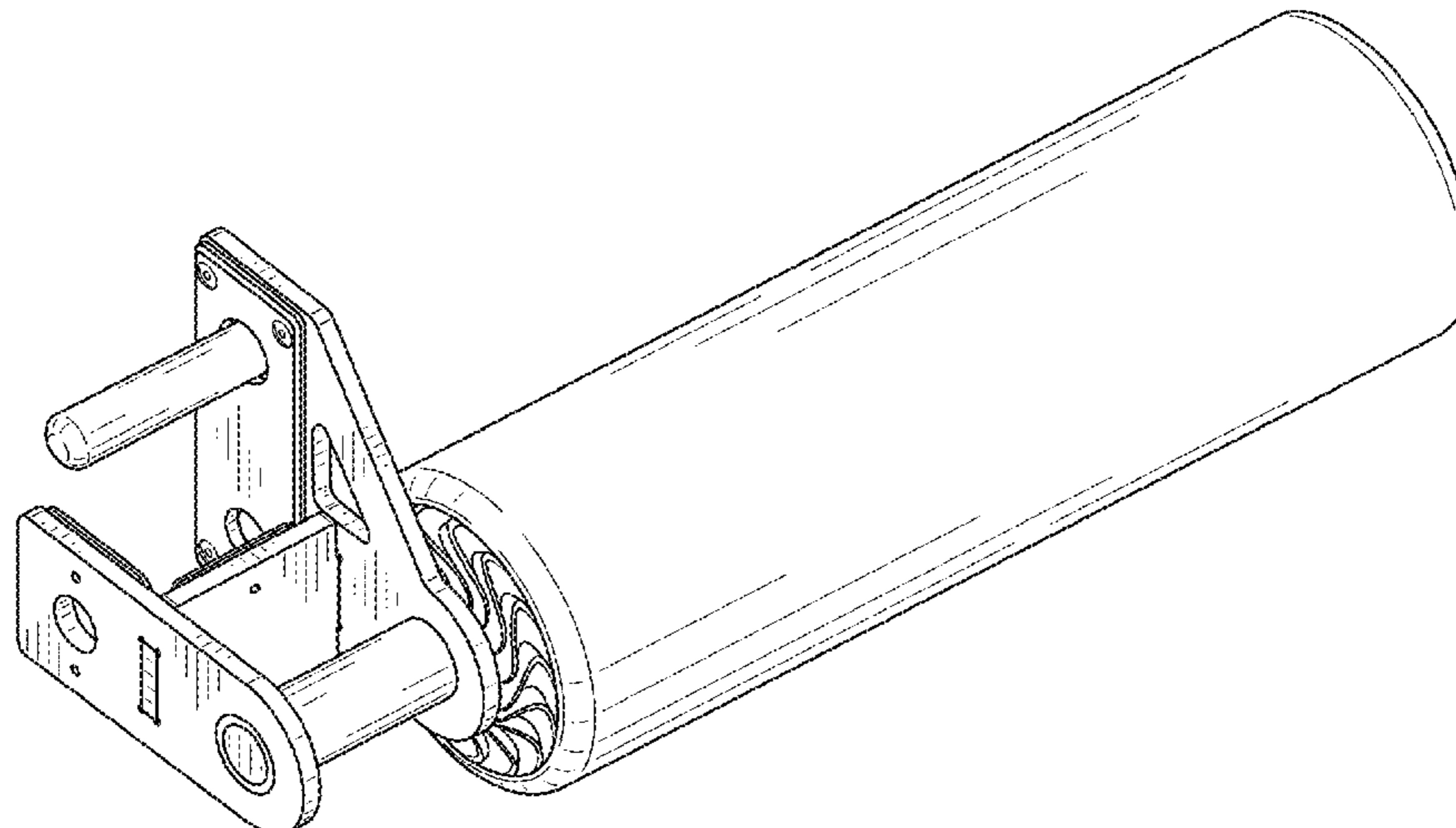
Rogue Monster Single leg roller 2 by Rogue dated Aug. 13, 2019. Found online [Aug. 13, 2020] <https://www.roguefitness.com/rogue-monster-single-leg-roller-2-0> (Year: 2019).\*  
(Continued)

*Primary Examiner* — Ryan Harvey  
(74) *Attorney, Agent, or Firm* — Banner & Witcoff, Ltd.

(57) **CLAIM**

The ornamental design for a weight rack attachment, as shown and described.

**1 Claim, 16 Drawing Sheets**



(58) **Field of Classification Search**  
 USPC ... 482/131, 38, 142, 130, 94, 145, 108, 104,  
 482/129, 120, 98; D12/203, 130, 406;  
 D24/188; D8/330; D6/536, 553  
 CPC ..... A63B 21/0628; A63B 21/4035; A63B  
 21/078; A63B 21/075; A63B 21/063;  
 A63B 21/0728; A63B 21/072; A63B  
 23/1218; A63B 23/1209; A63B 23/12;  
 A63B 21/0783; A63B 21/4017  
 See application file for complete search history.

(56) **References Cited**

U.S. PATENT DOCUMENTS

D212,193	S	9/1968	Rudy	
3,857,561	A	12/1974	Cecchetti et al.	
D265,575	S	7/1982	Lunford	
4,369,966	A	1/1983	Silberman et al.	
4,461,287	A	7/1984	Takahashi	
4,493,485	A *	1/1985	Jones	G06F 19/3481 482/8
D280,922	S	10/1985	Sieder	
4,638,995	A	1/1987	Wilson	
4,666,154	A	5/1987	Lipscomb et al.	
4,753,438	A	6/1988	Paris et al.	
D298,959	S	12/1988	DeGalvez	
D300,157	S	3/1989	Yates	
4,923,194	A	5/1990	Montgomery	
D320,823	S	10/1991	Tanner	
D320,824	S	10/1991	Cordon	
5,082,260	A	1/1992	Dinelli	
D324,708	S	3/1992	Walsh	
5,221,246	A	6/1993	Torii	
5,290,213	A	3/1994	Sheikowitz	
5,306,220	A	4/1994	Kearney	
5,356,360	A *	10/1994	Johns	A63B 21/155 482/100
5,470,297	A *	11/1995	Park	A63B 21/0084 482/127
D373,608	S *	9/1996	Summers	D21/673
5,667,465	A *	9/1997	McColum	A63B 21/155 482/100
5,755,823	A	5/1998	Cleary	
5,776,040	A *	7/1998	Webb	A63B 21/154 482/98
5,876,311	A	3/1999	Coates et al.	
D425,153	S *	5/2000	Grider	D21/676
6,074,328	A *	6/2000	Johnson	A63B 21/0615 482/137
D439,940	S *	4/2001	Batca	D21/675
D444,518	S *	7/2001	Webber	D21/694
6,361,482	B1 *	3/2002	Batca	A63B 23/0355 482/100
6,422,982	B1	7/2002	Retel	
6,443,878	B1 *	9/2002	Webber	A63B 23/0494 482/100
6,558,303	B1 *	5/2003	Ellis	A63B 23/0494 482/100
6,685,601	B1	2/2004	Knapp	
6,692,417	B2	2/2004	Burrell	
D503,757	S	4/2005	Sjurdagardi	
D513,292	S *	12/2005	Panatta	D21/676
7,125,371	B2	10/2006	Henderson	
7,144,353	B2	12/2006	Sjuragari	
7,338,416	B2	3/2008	Smith	
7,534,200	B1	5/2009	Martinez	
7,563,209	B2 *	7/2009	Webber	A63B 21/0615 482/100
7,651,449	B1	1/2010	Balentine	
7,662,067	B2	2/2010	Payne	
D613,804	S	4/2010	Perez	
7,699,756	B2	4/2010	Piane, Jr.	
D617,400	S	6/2010	Hetzel et al.	
7,731,631	B2	6/2010	Collias	
7,815,555	B2	10/2010	Webber et al.	

D633,154	S *	2/2011	Thulin	D21/676
D633,962	S	3/2011	Stacey	
8,021,273	B2	9/2011	Kopp	
D666,259	S	8/2012	Garcia	
D686,287	S	7/2013	Boatwright	
9,095,742	B2	8/2015	Henniger et al.	
D752,161	S	3/2016	Wartenbergh	
D757,949	S *	5/2016	Smith	D24/188
9,327,153	B2	5/2016	Wallisch	
D764,607	S	8/2016	Beckford et al.	
9,517,382	B2	12/2016	Payne	
9,597,539	B2	3/2017	Grider	
2002/0082145	A1	6/2002	Hamilton	
2005/0187083	A1	8/2005	Krystoff	
2009/0124471	A1	5/2009	Storch	
2010/0152007	A1	6/2010	Le et al.	
2013/0324383	A1	12/2013	Rogers	
2015/0014212	A1	1/2015	Beaver et al.	
2015/0290488	A1	10/2015	Hopperstad et al.	
2015/0367168	A1 *	12/2015	Henniger	A63B 21/4039 482/145
2016/0129302	A1	5/2016	Vallo et al.	
2017/0209733	A1	7/2017	Beaver et al.	
2018/0326250	A1	11/2018	Henniger et al.	
2019/0275363	A1 *	9/2019	Jones	A63B 21/0616

OTHER PUBLICATIONS

Rogue Monster Lite Rack Mount Leg Roller by Rogue dated Aug. 13, 2015. Found online [Aug. 13, 2020] <https://www.roguefitness.com/rogue-monster-lite-rack-mount-leg-roller> (Year: 2015).\*

Product listing for Rogue Monster Lite Rack Mount Leg Roller, from <https://web.archive.org/web/20170710185245/https://www.roguefitness.com/rogue-monster-lite-rack-mount-leg-roller>, dated Jul. 10, 2017.

Product listing for Rogue Rig Mount Parallel Bars from <https://web.archive.org/web/20170417164647/https://www.roguefitness.com/rogue-rig-mount-parallel-bars>, dated Apr. 17, 2017.

Photos of Rogue Rig Mount Parallel Bars from <https://web.archive.org/web/20170417164647/https://www.roguefitness.com/rogue-rig-mount-parallel-bars>, dated Apr. 17, 2017.

Product listing for Rogue V2 Face Mount Pull-up Bar for Monster Lite from <https://web.archive.org/web/20161105161238/https://www.roguefitness.com/rogue-v2-face-mount-pull-up-bar-for-monster-lite>, dated Nov. 5, 2016.

Photos of Titan 30" X-3 Parallel Bars, from <https://www.titan.fitness/30-x-3-parallel-bars.html>, dated Nov. 20, 2018, product known to be available prior to Apr. 6, 2018, but not prior to Apr. 17, 2017.

Photos of Titan 24" T-3 Parallel Bars, from <https://www.titan.fitness/24-t-3-parallel-bars.html>, dated Nov. 20, 2018, product known to be available prior to Apr. 6, 2018, but not prior to Apr. 17, 2017.

Photos of Titan 36" T-3 Parallel Bars, from <https://www.titanfitness.com/36-t-3-parallel-bars.html>, dated Nov. 20, 2018, product known to be available prior to Apr. 6, 2018, but not prior to Apr. 17, 2017.

Product listing for 3x3 42" Spotter Bars from <https://web.archive.org/web/20160711122314/https://americanbarbell.com/products/42-spotter-bars-pair>, dated Jul. 11, 2016.

Product listing for ATX Spotter Bars 75cm from <https://web.archive.org/web/20180329105535/https://samsfitness.com.au/racks-cages-stands-smiths/atx-commercial-power-racks/abc-spotter-bars-75cm>, dated Mar. 29, 2018.

Product listing for Cage Spotting Rail Pair 675mm—Blue from <https://web.archive.org/web/20190315034747/https://www.alphafit.com.au/cage-spotting-rail-675mm>, dated Mar. 15, 2019.

Product listing for Full Safety Bars from <https://www.sorinex.com/products/full-safety-bars>, dated Mar. 27, 2020, product available at least as early as May 2, 2019.

Product Listing for XM Spotter Arms Attachment from <https://unified-fitness-group.myshopify.com/products/xm-spotter-arms-attachment>, dated Mar. 27, 2020, product available at least as early as May 2, 2019.

(56)

**References Cited**

OTHER PUBLICATIONS

Product Listing for Flip Down Safety Bars for T-3 Power Racks from <<https://www.titan.fitness/flip-down-safety-bars-for-t-3-power-racks.html>>, dated Mar. 27, 2020, product available at least as early as May 2, 2019.

\* cited by examiner

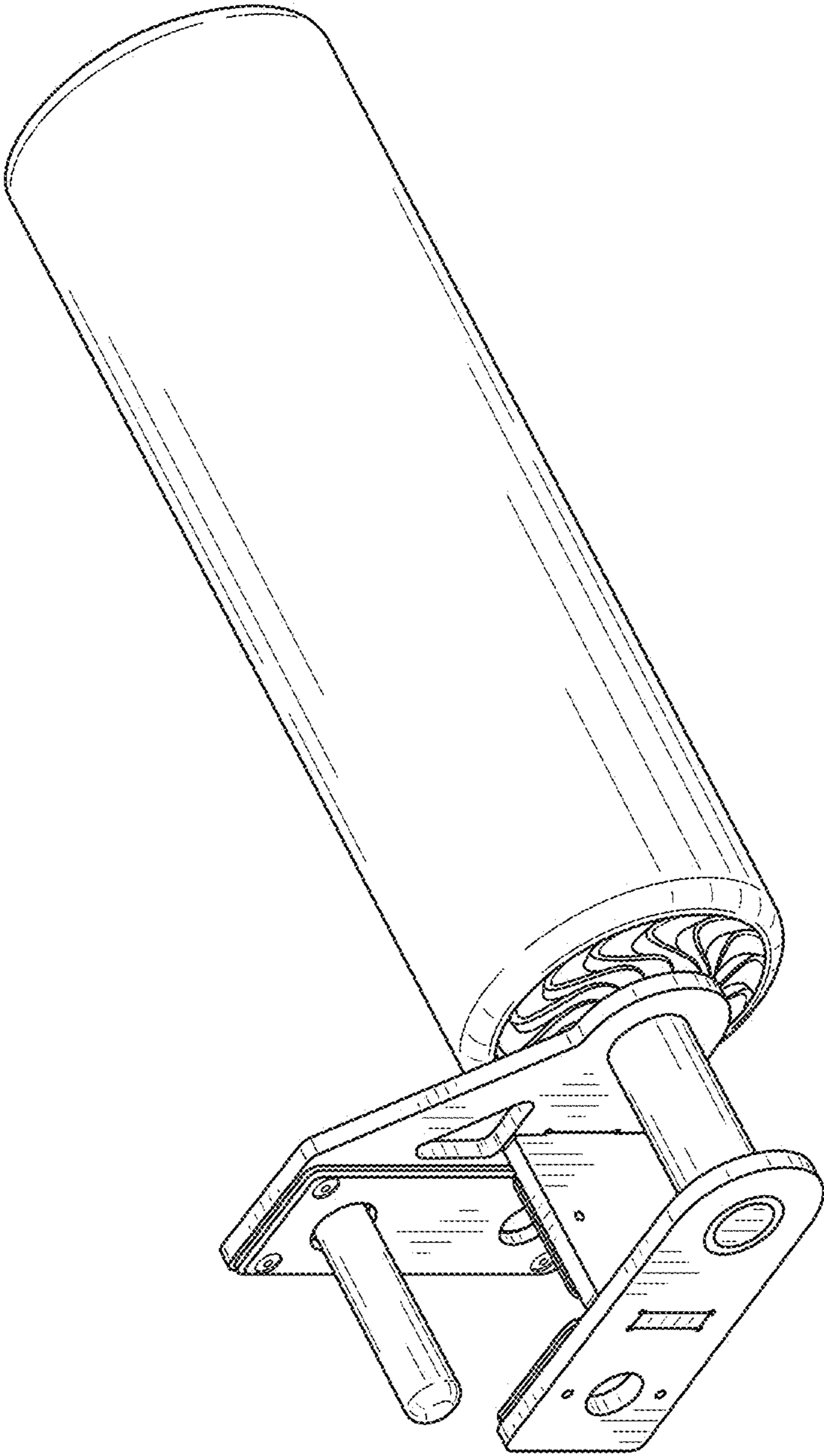


FIG. 1

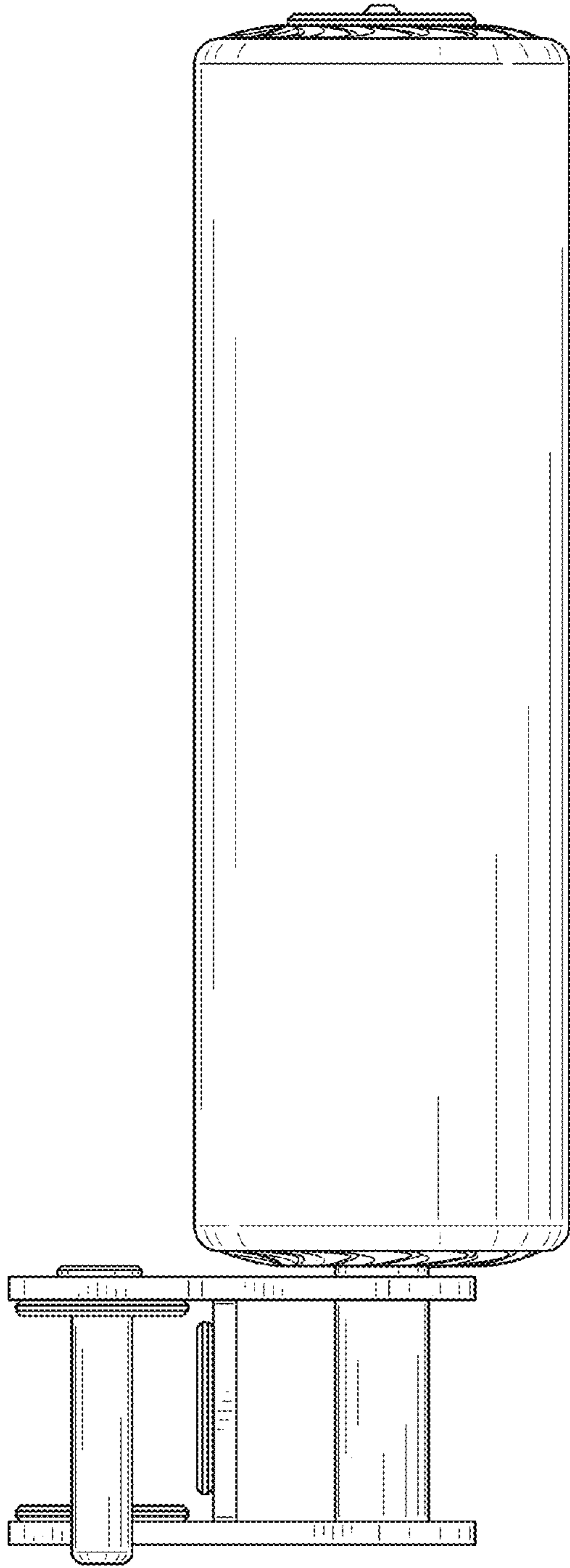


FIG. 2

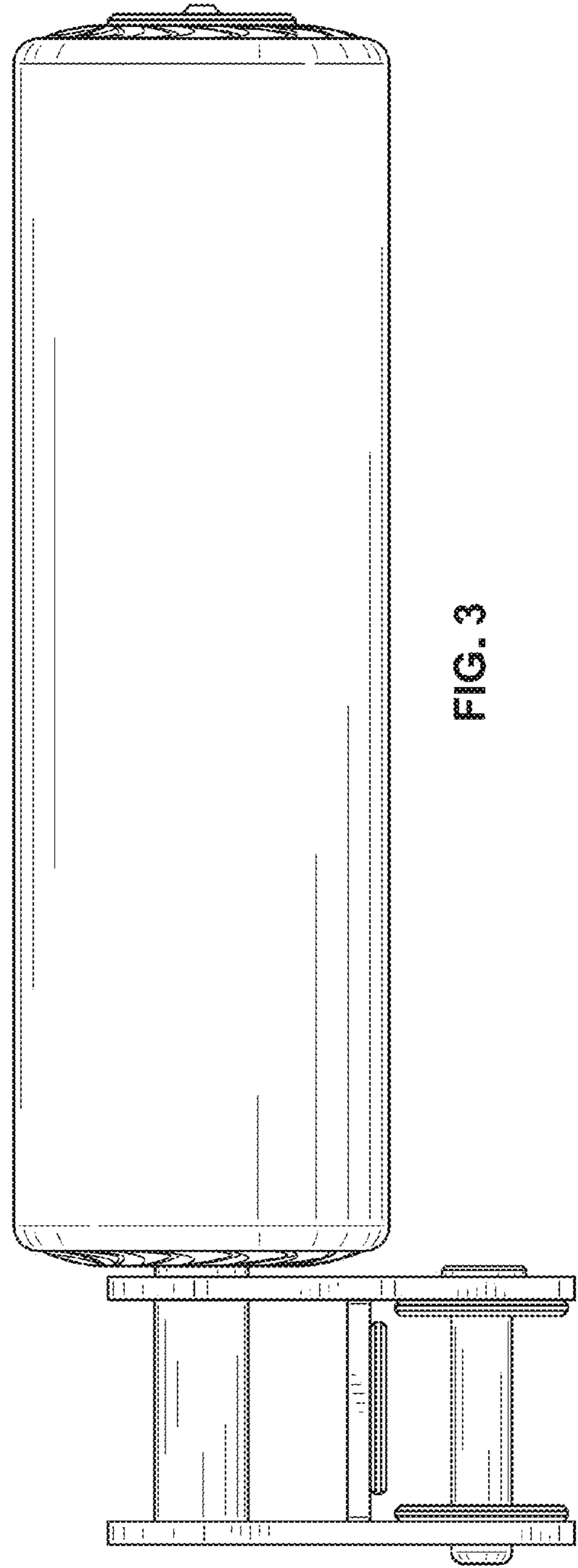


FIG. 3

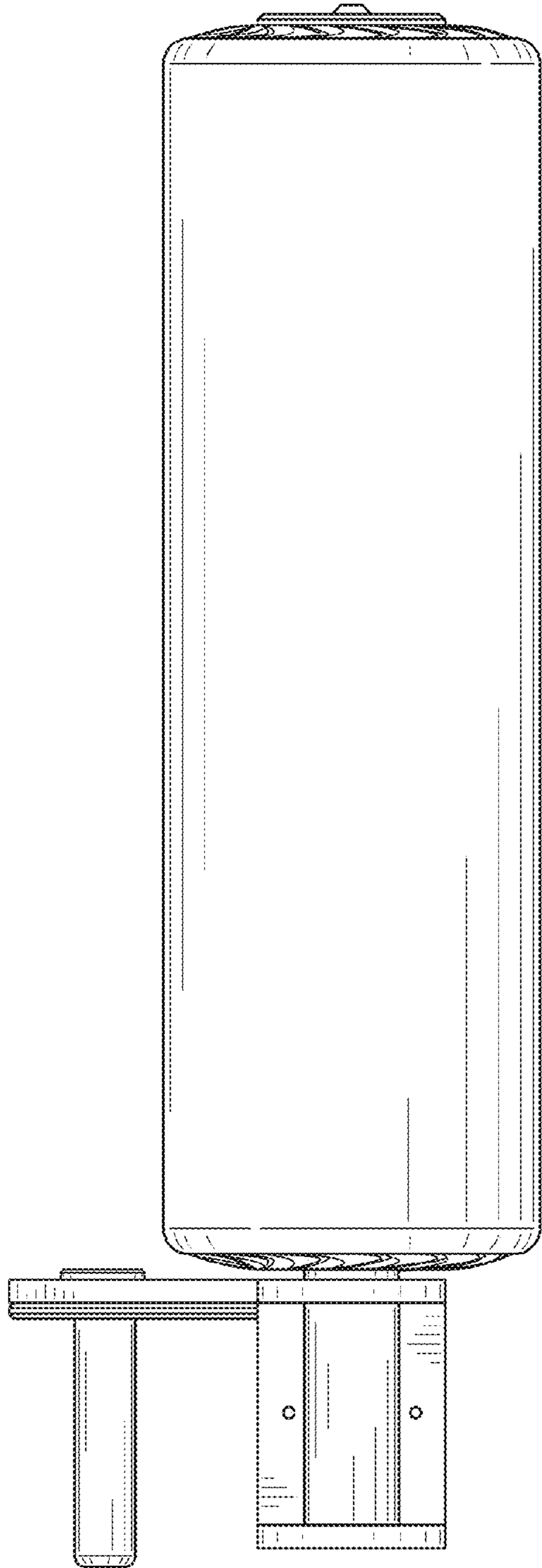


FIG. 4

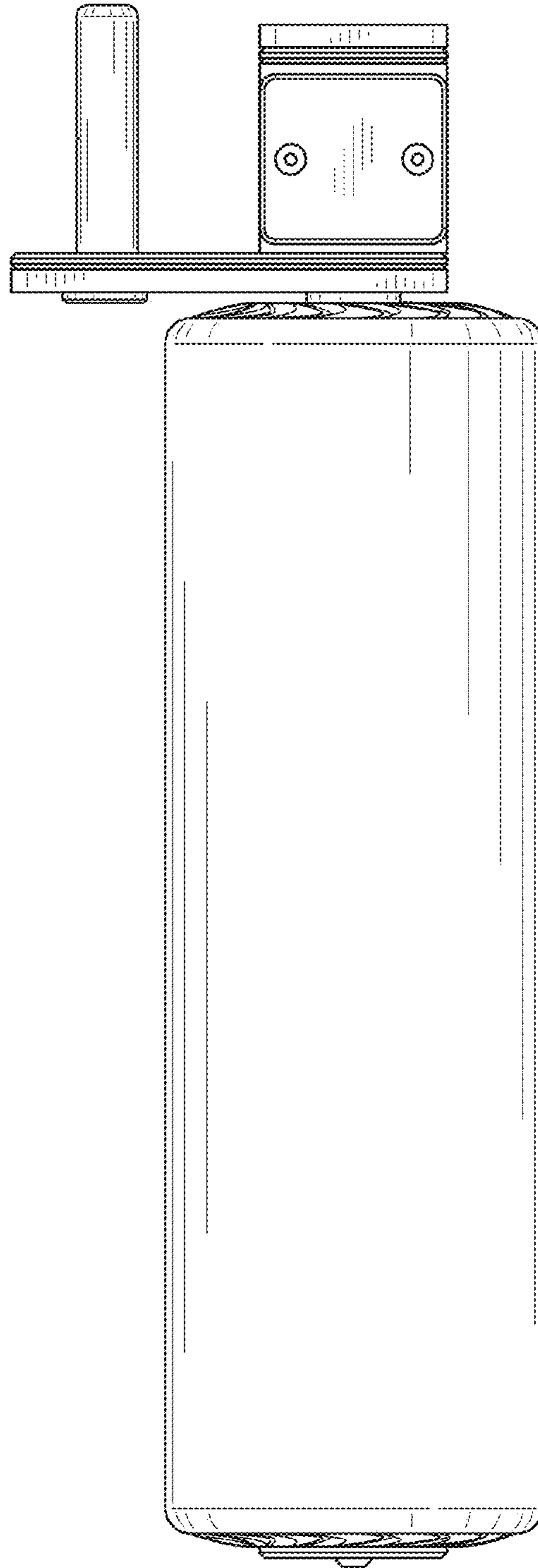


FIG. 5

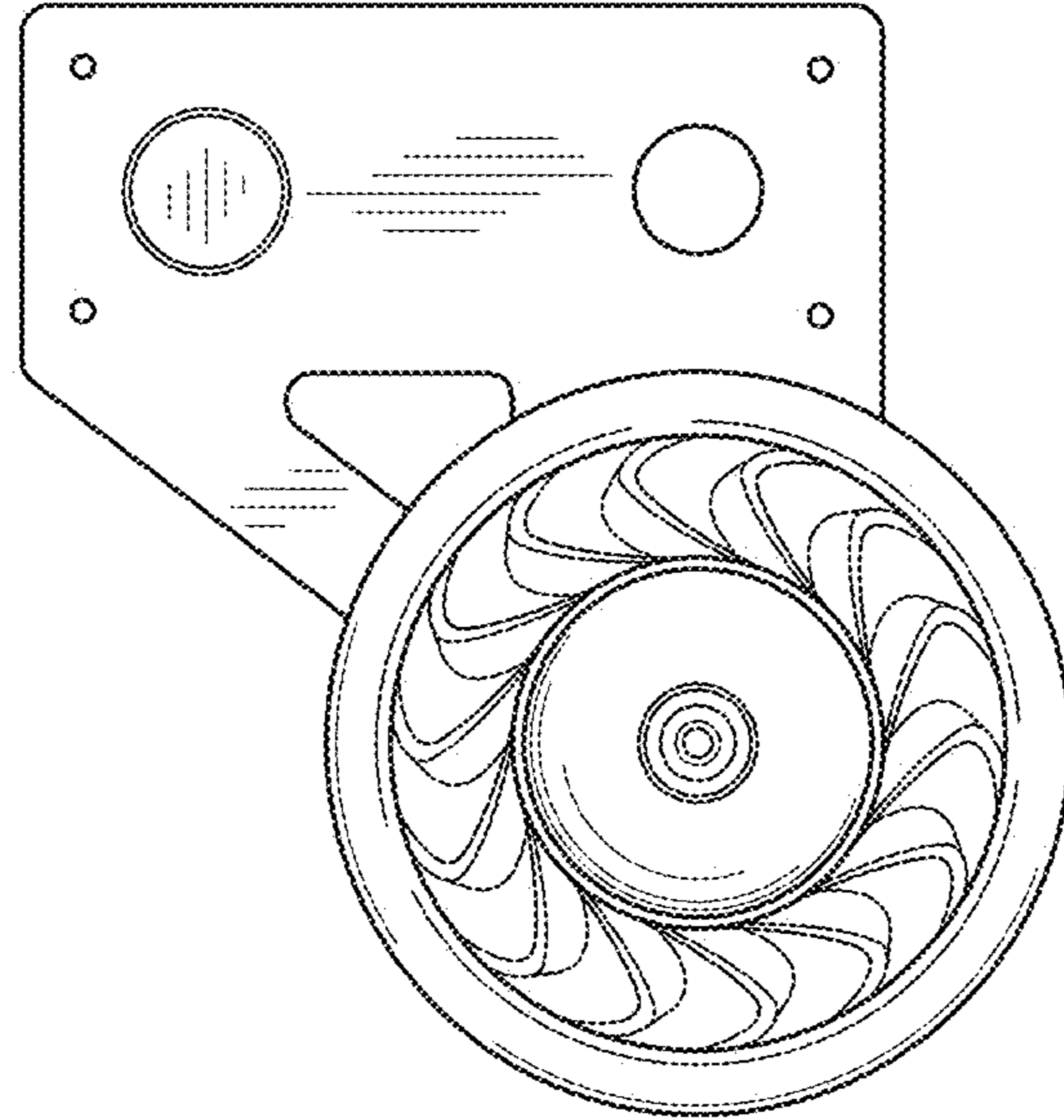


FIG. 7

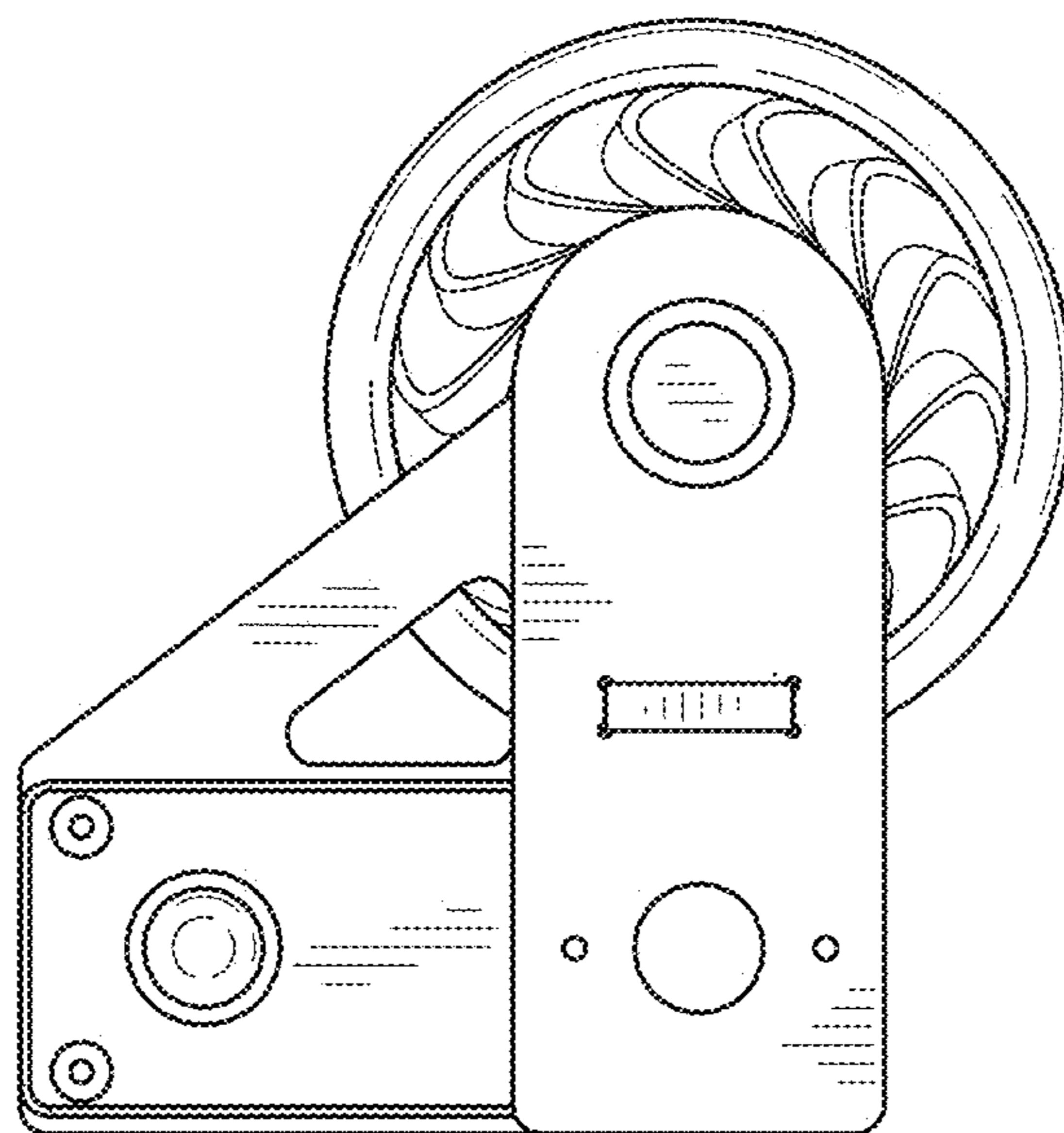


FIG. 6

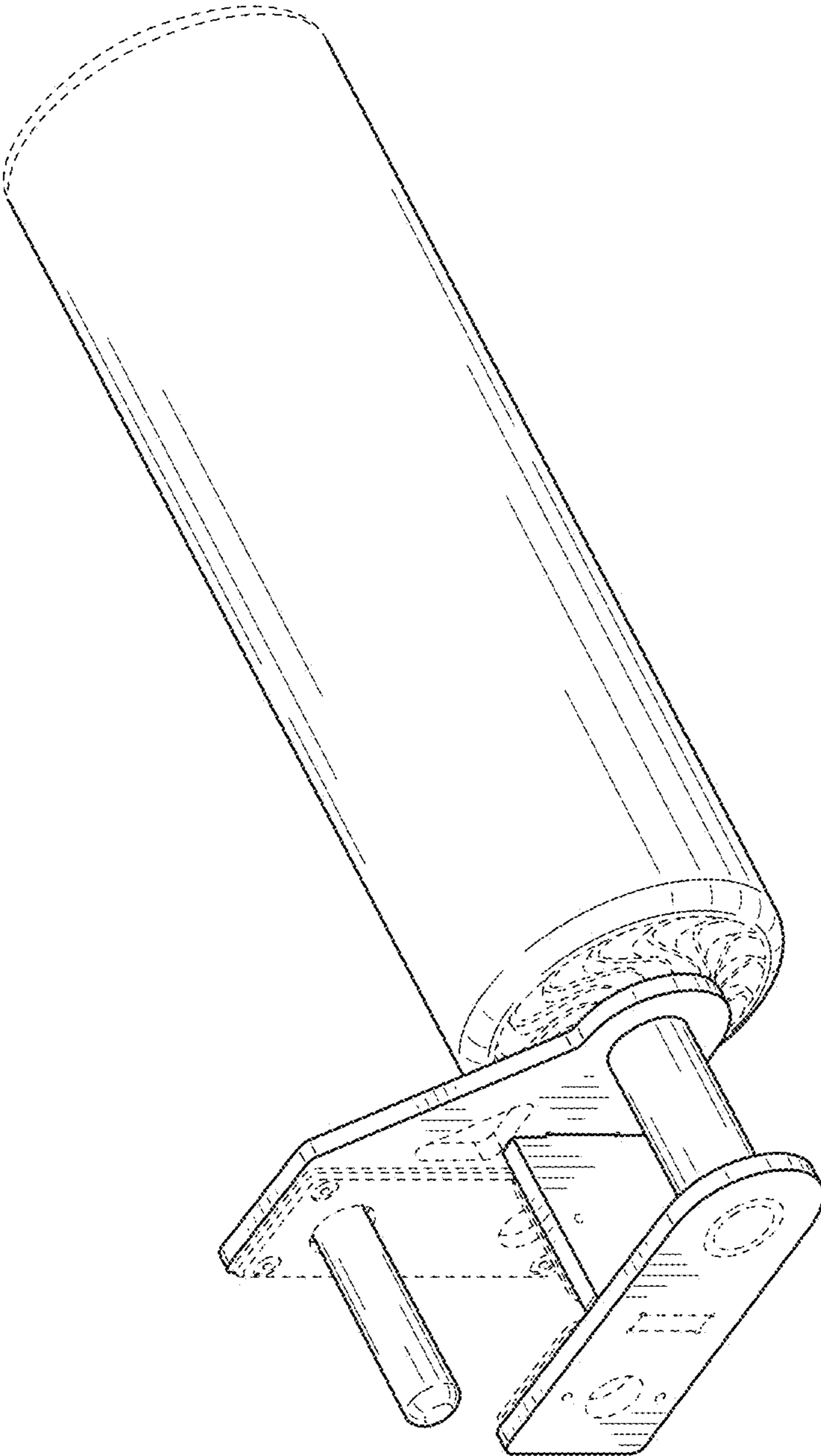


FIG. 8



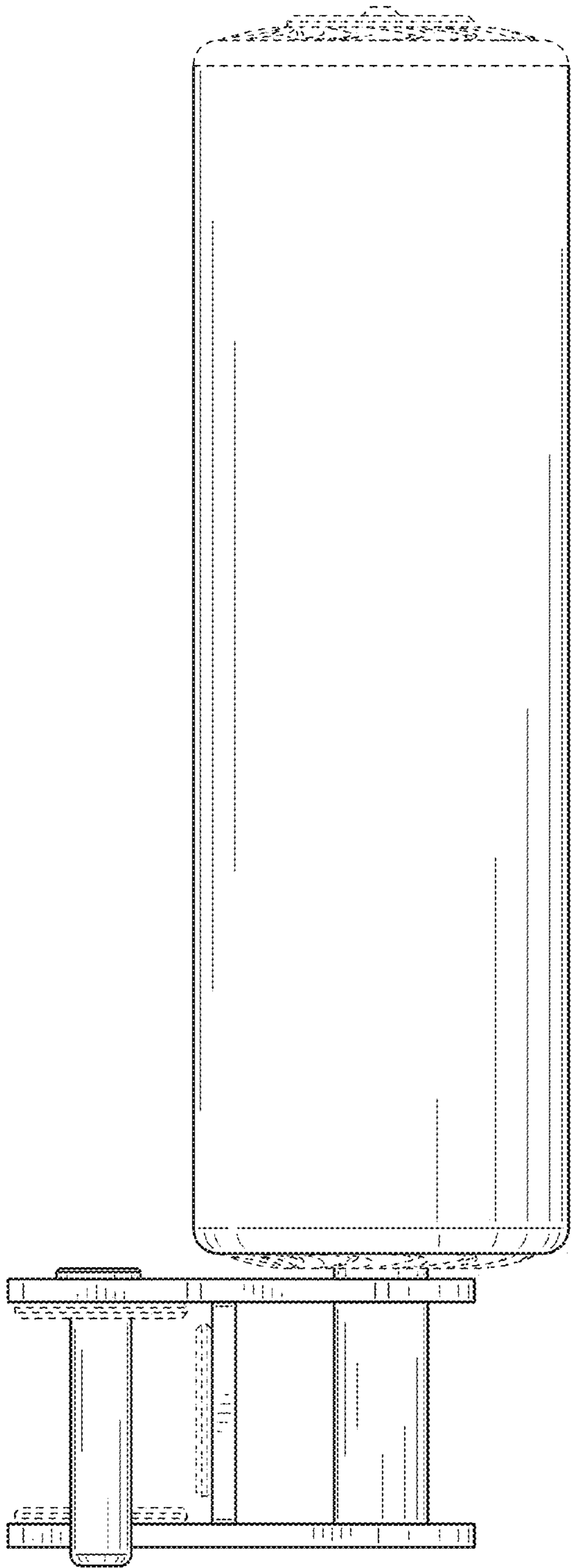


FIG. 9

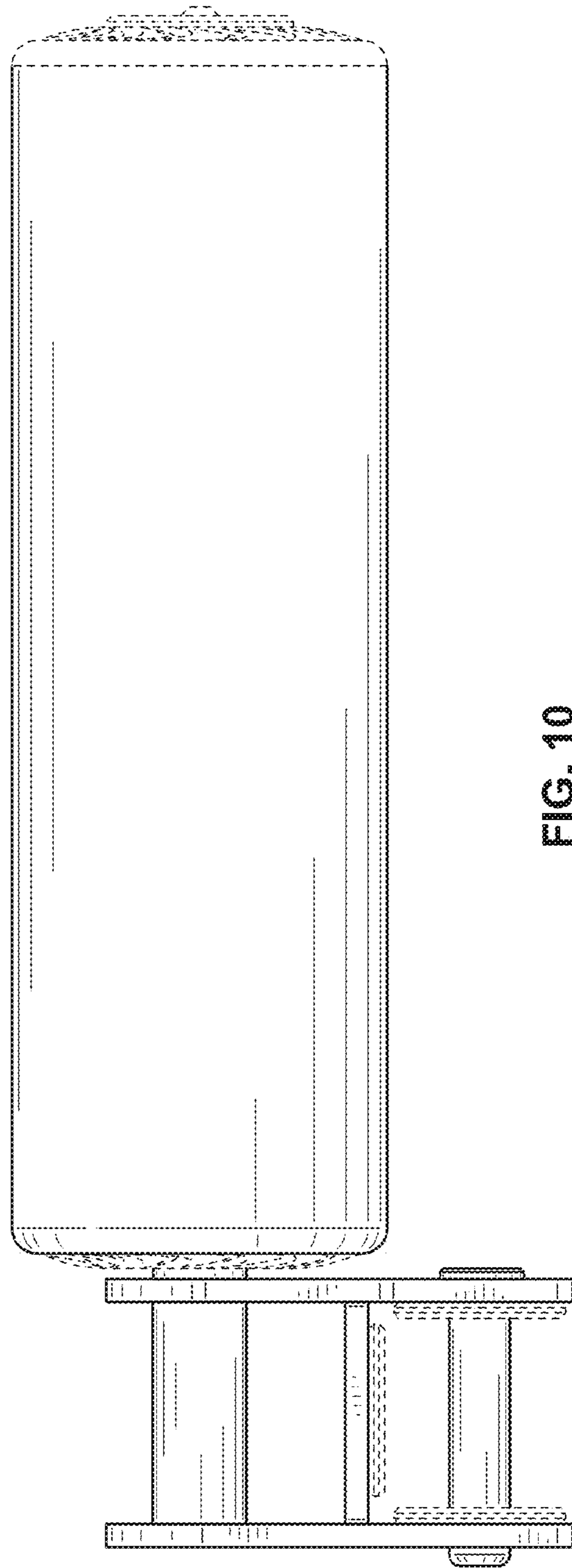


FIG. 10

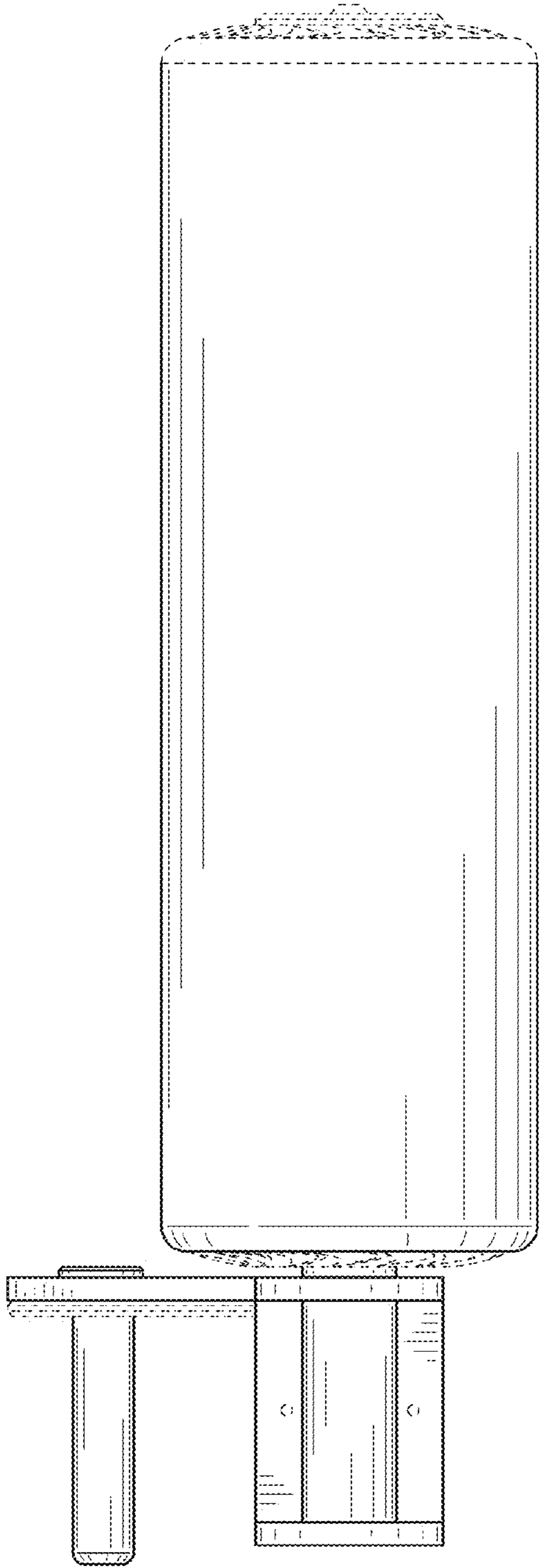


FIG. 11

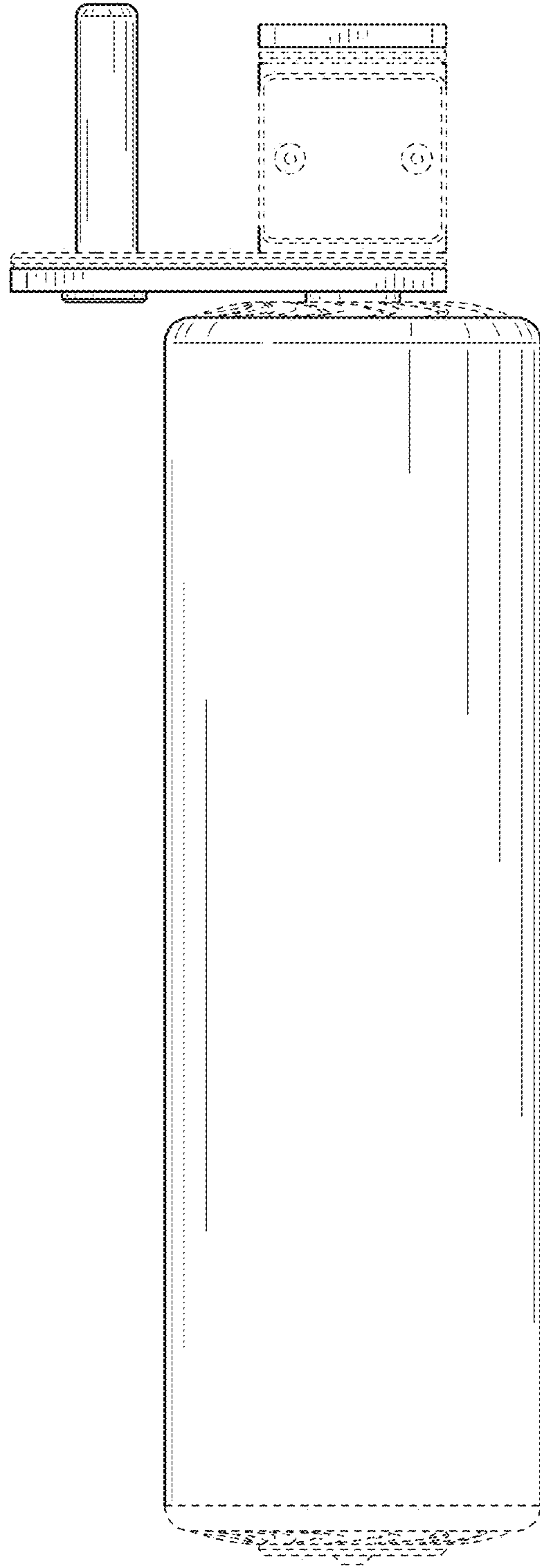


FIG. 12

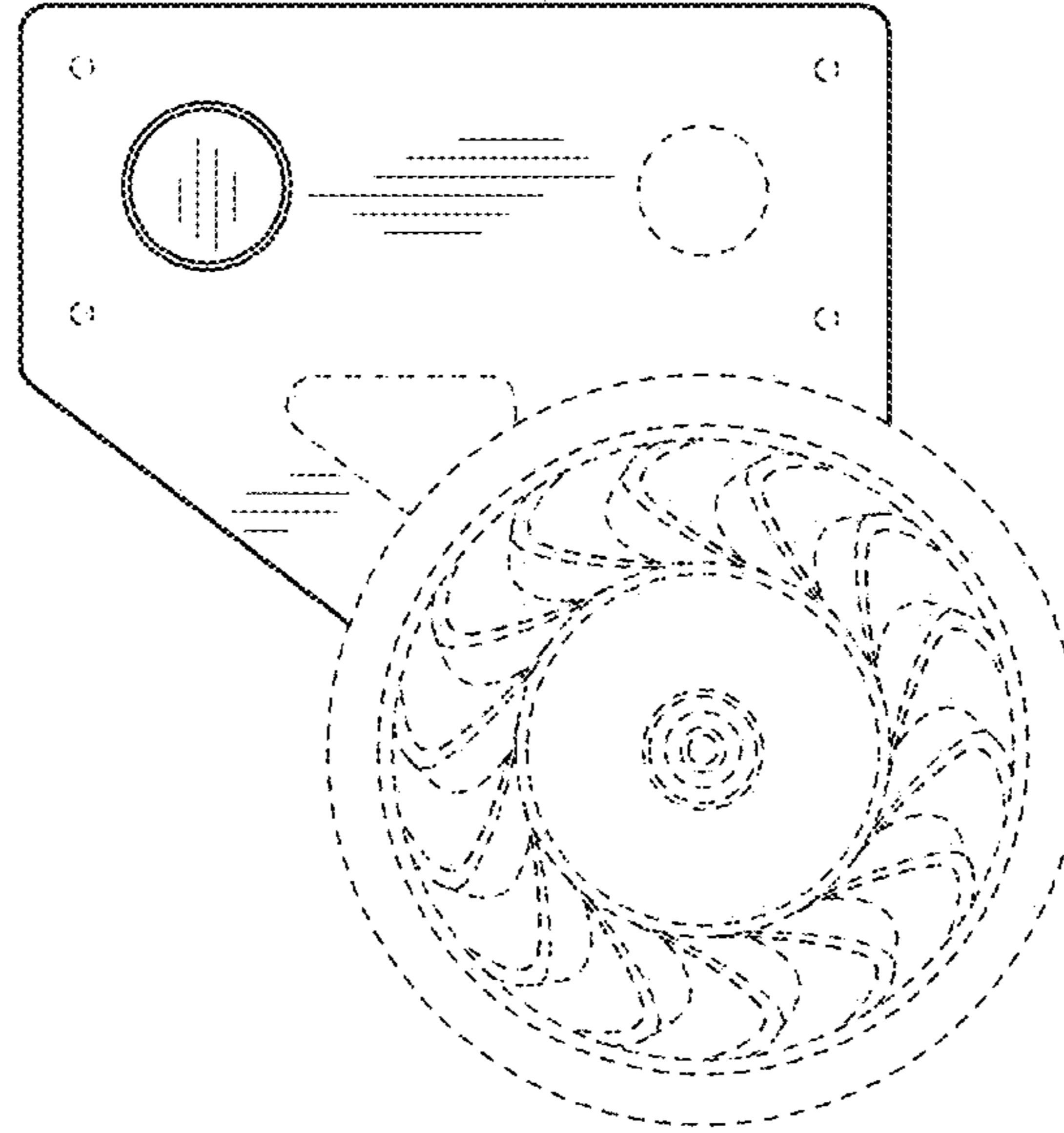


FIG. 14

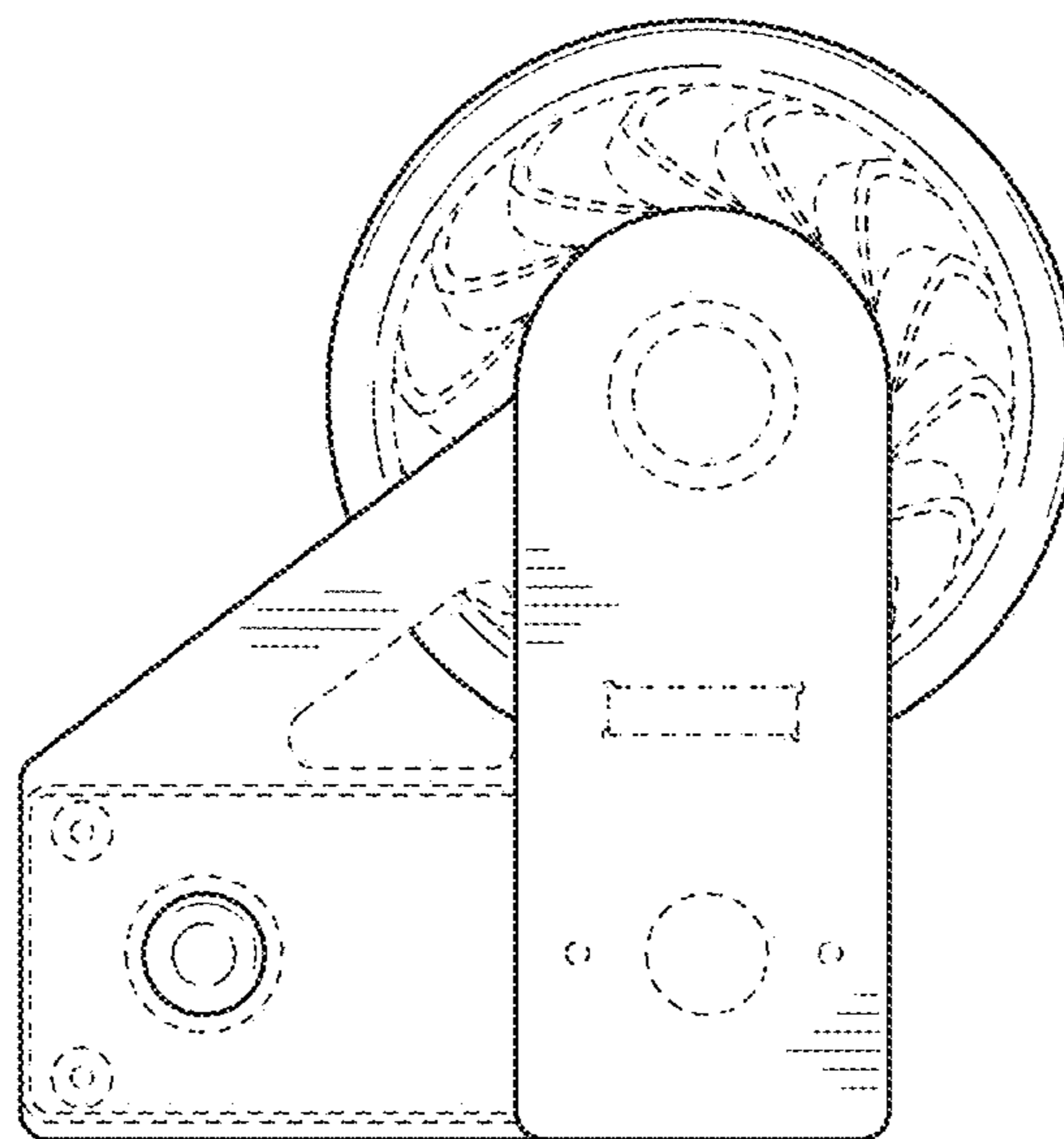


FIG. 13

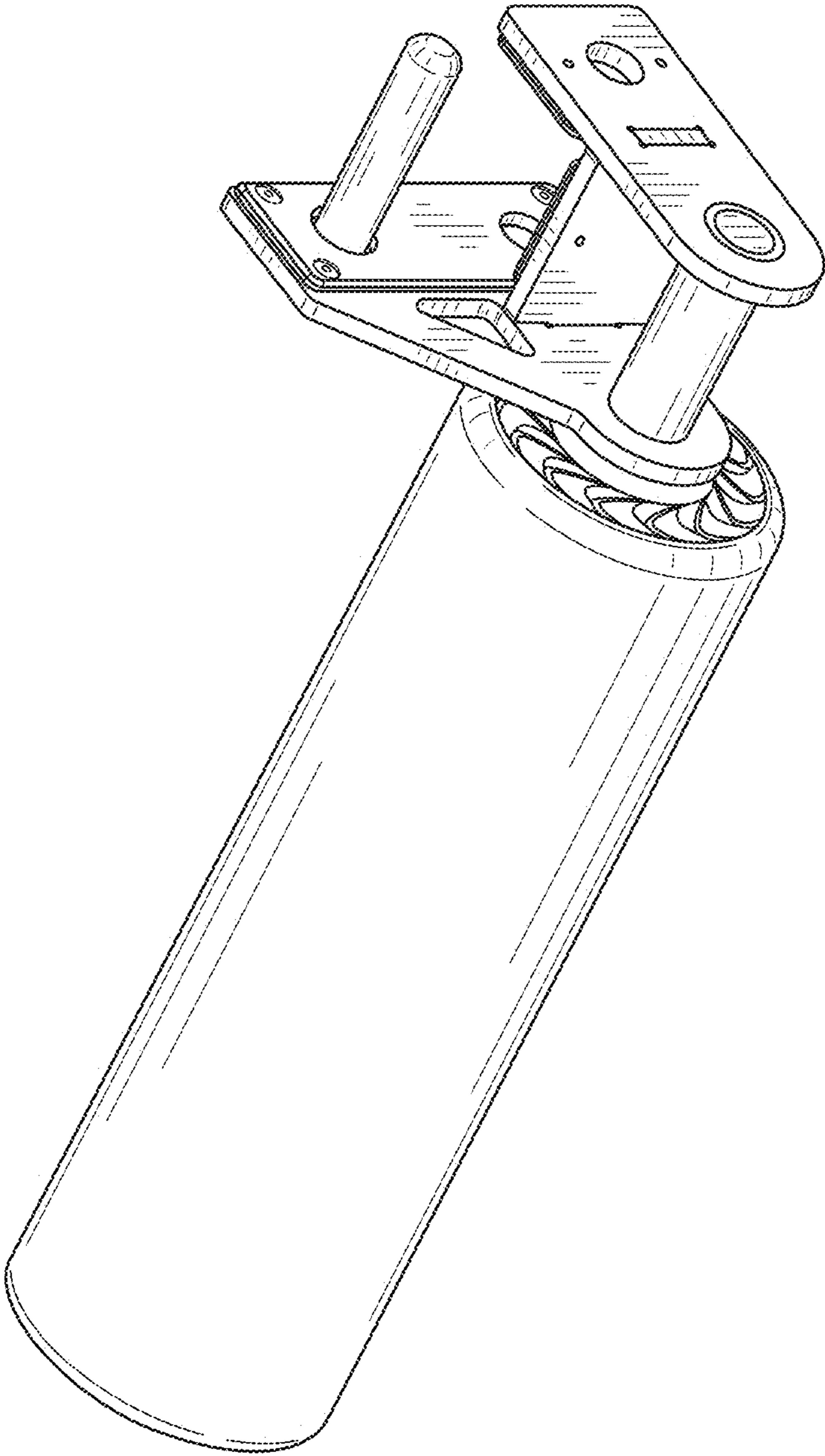


FIG. 15

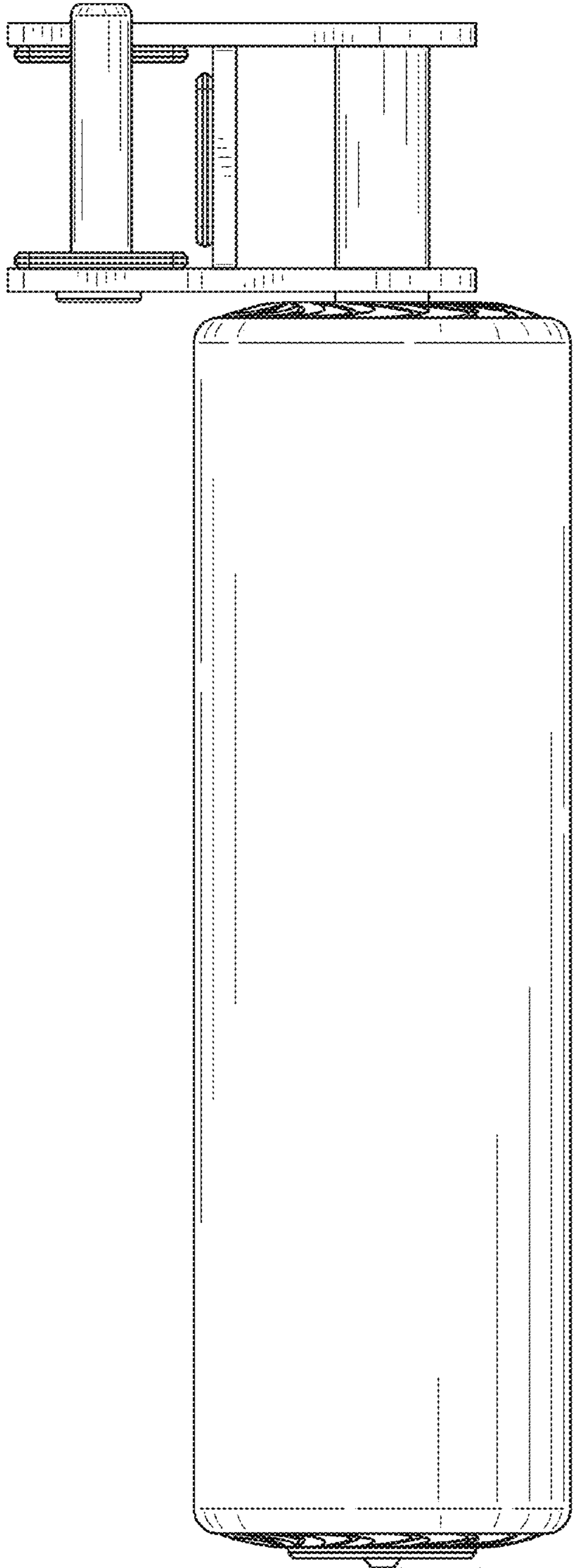


FIG. 16

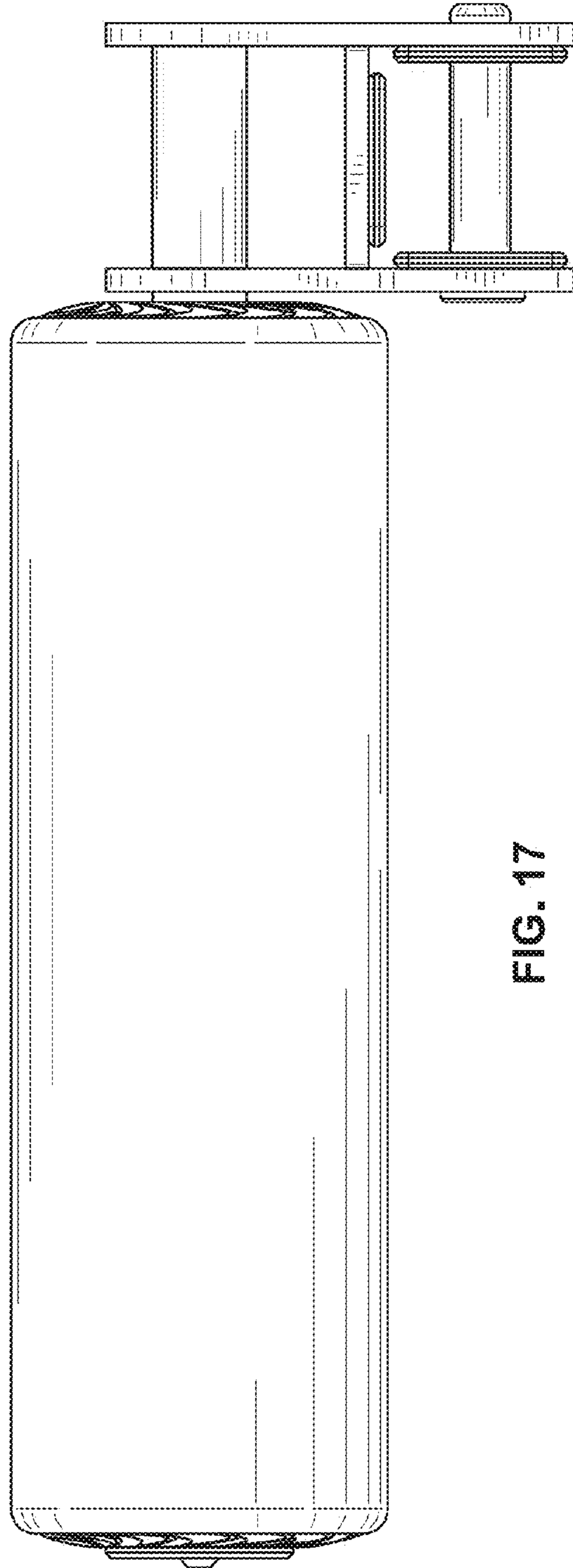


FIG. 17

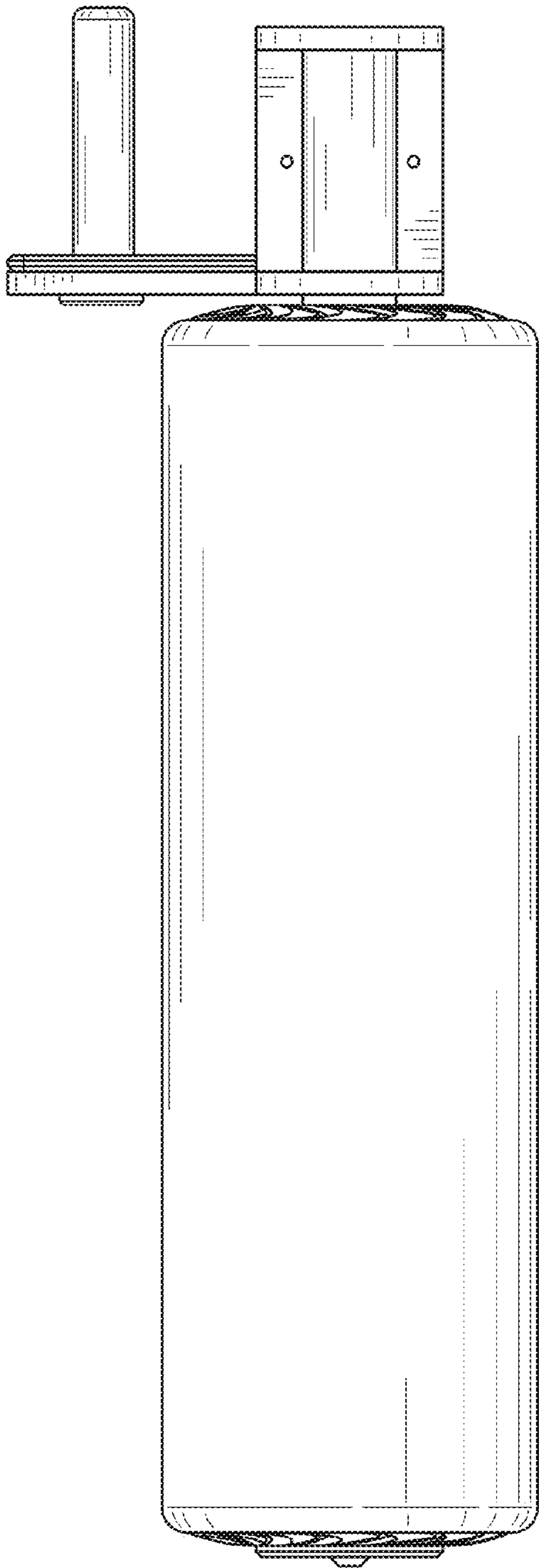


FIG. 18

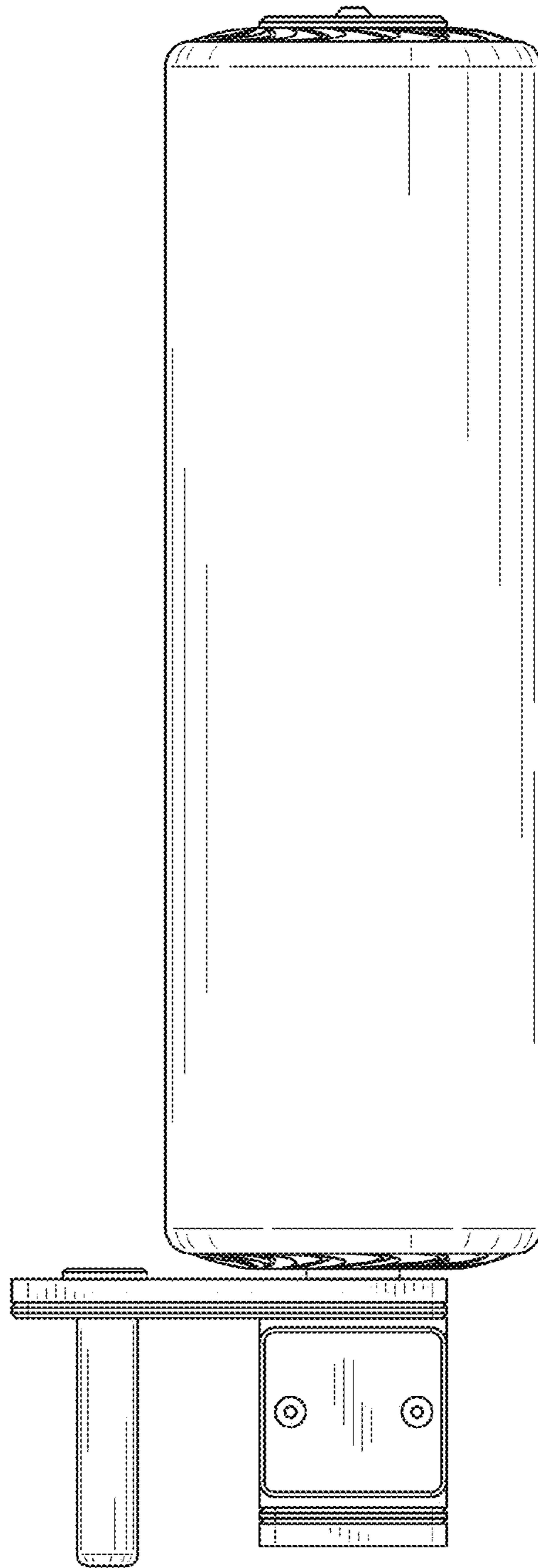


FIG. 19

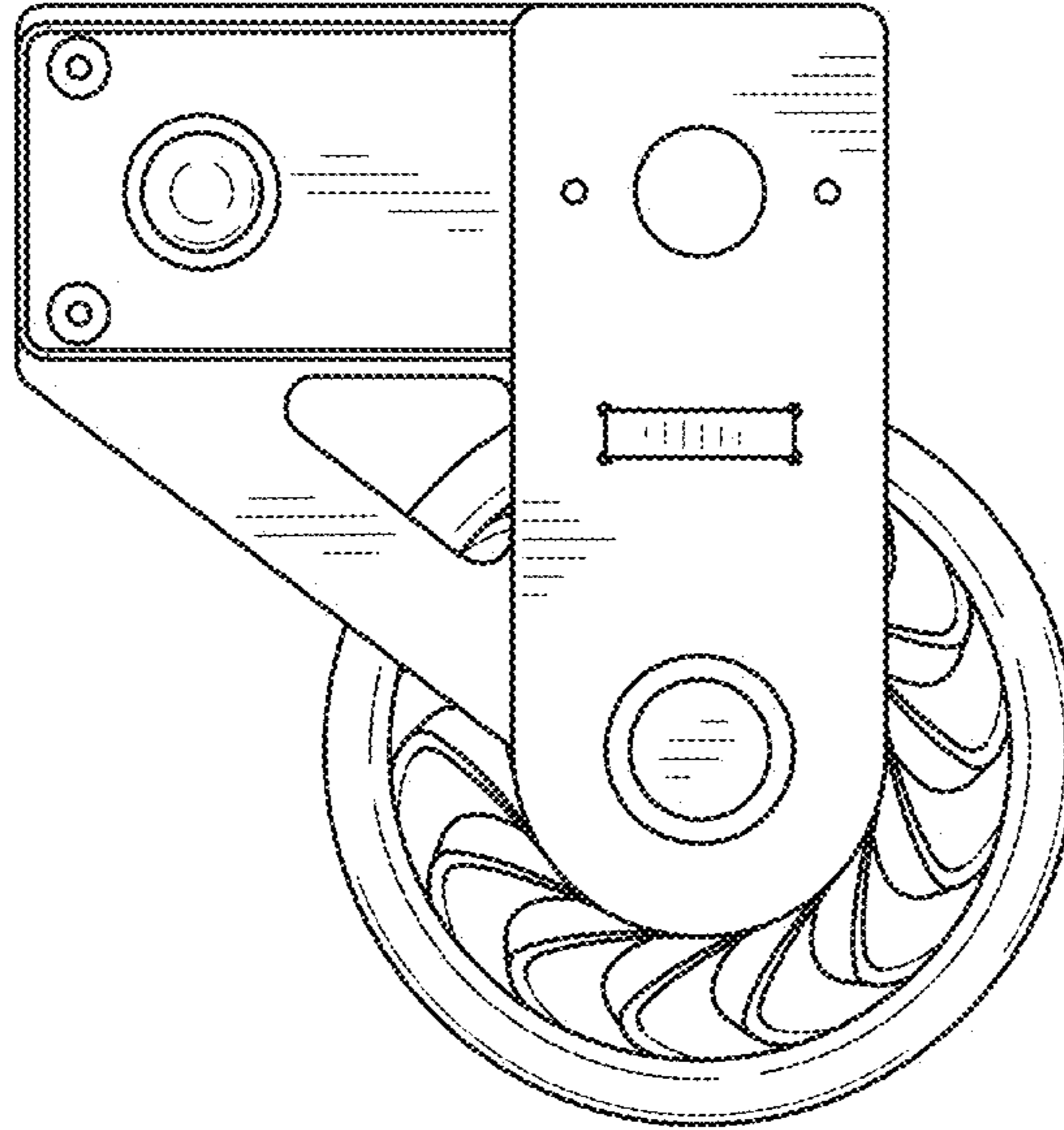


FIG. 21

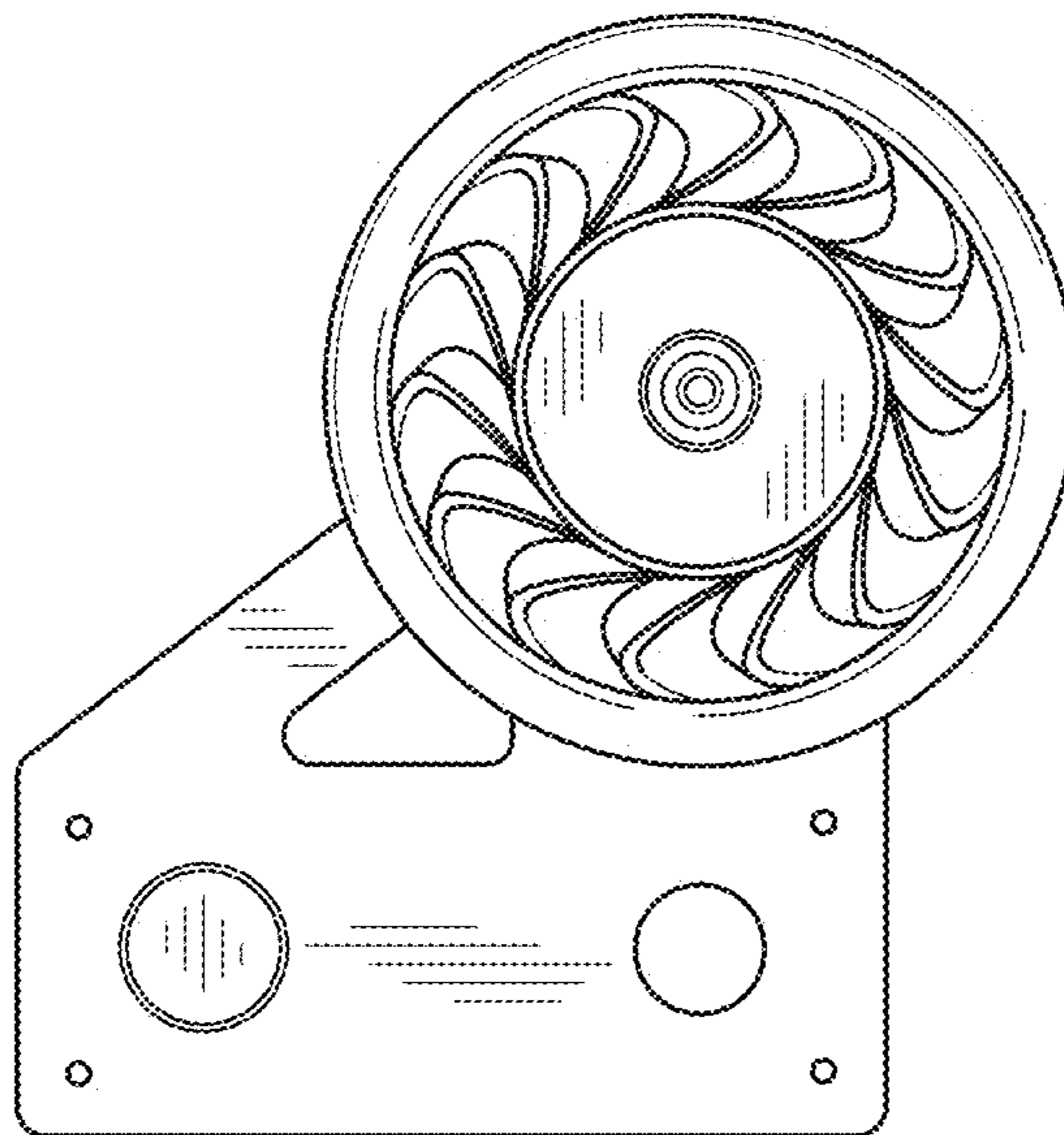


FIG. 20

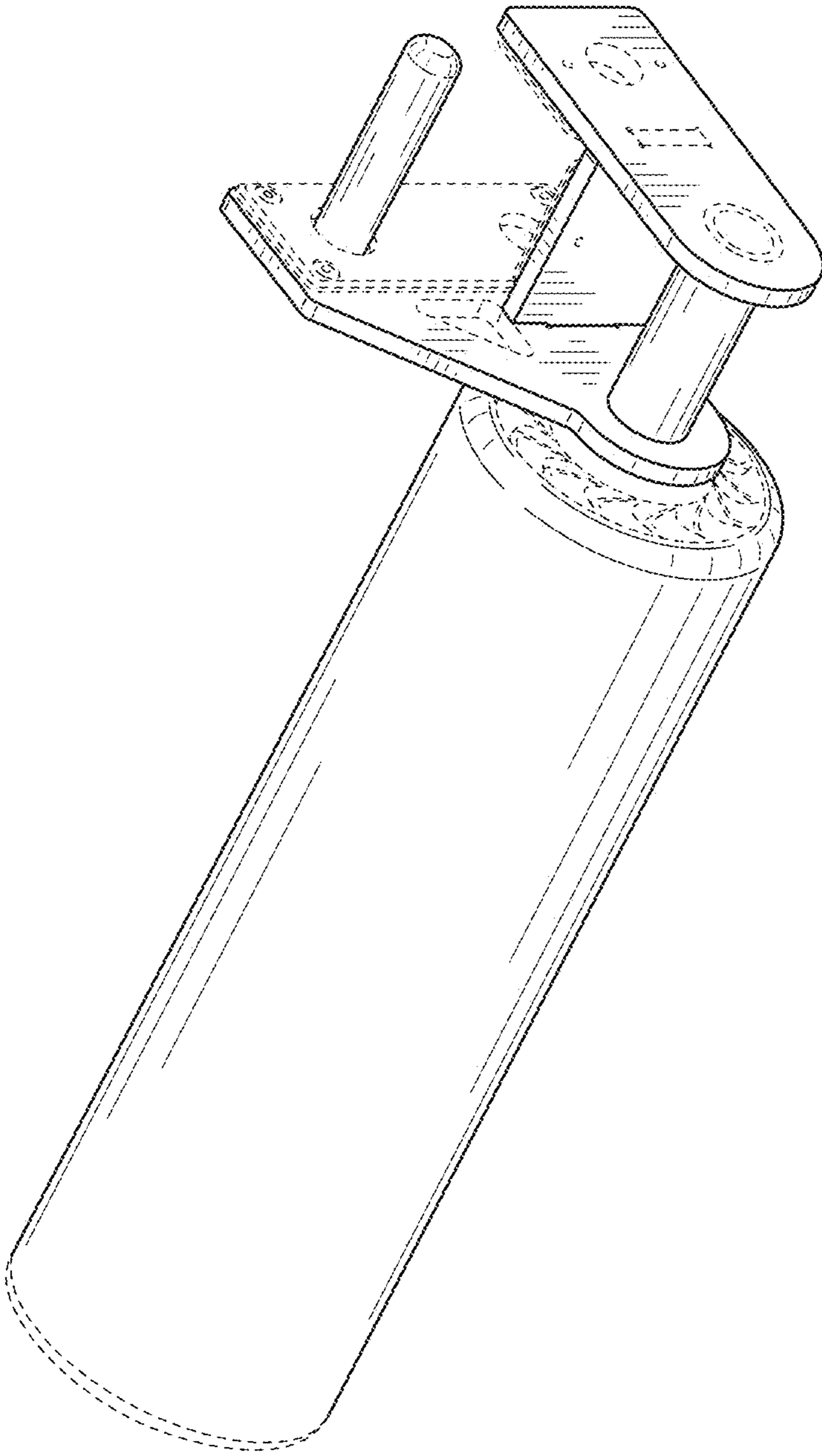


FIG. 22



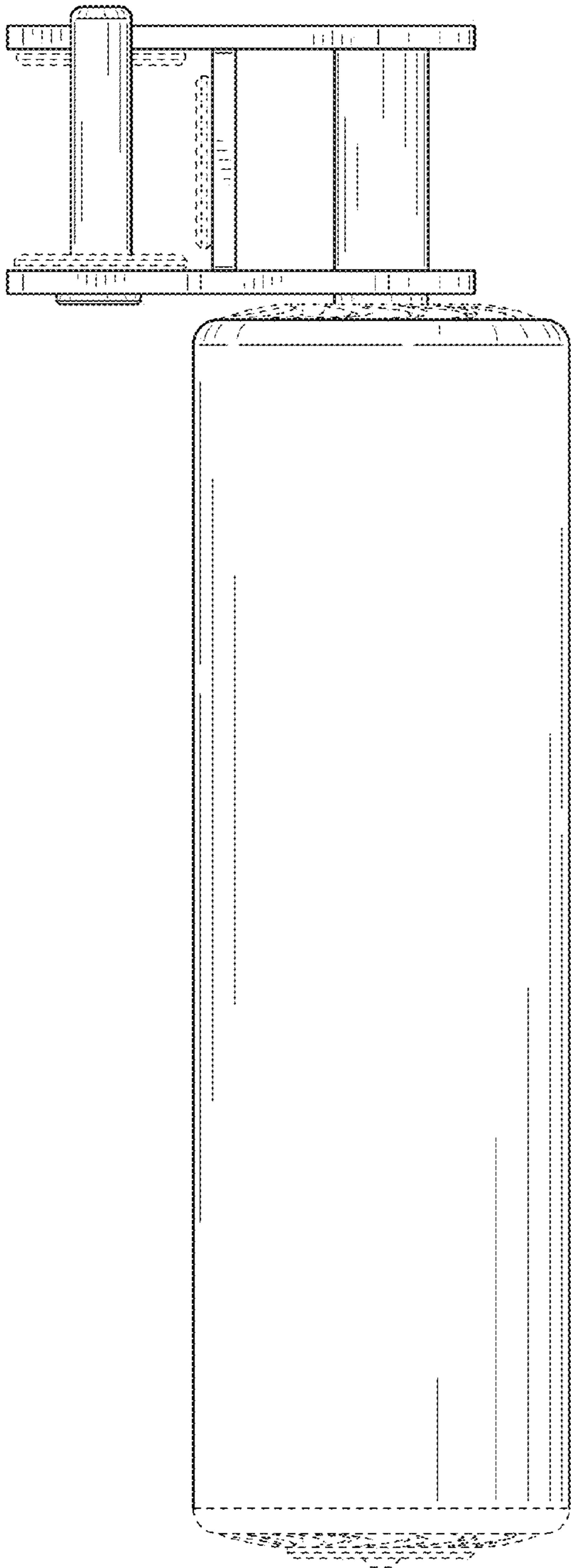


FIG. 23

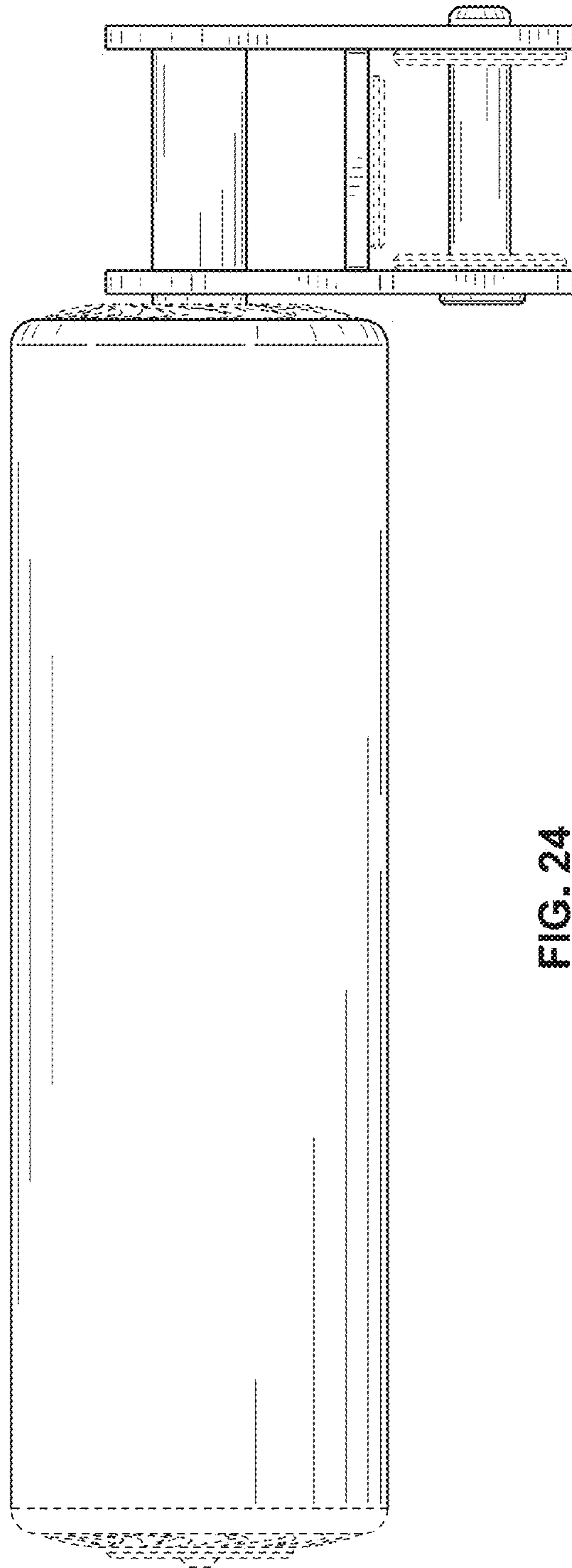


FIG. 24

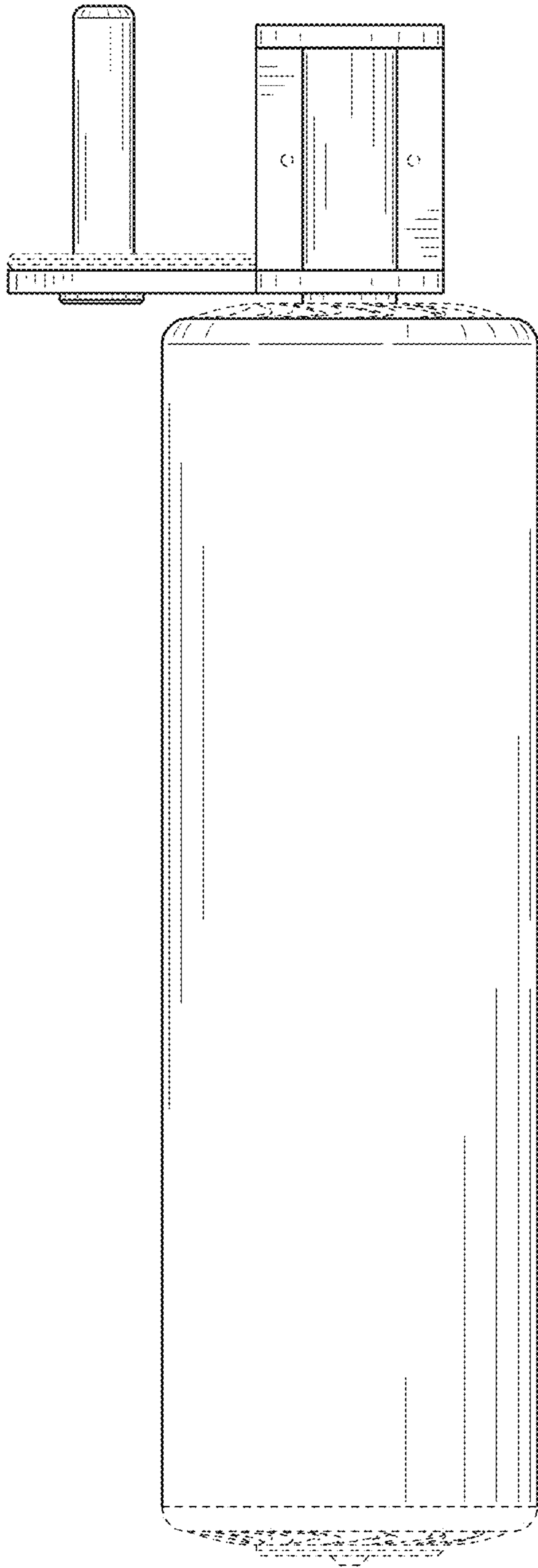


FIG. 25

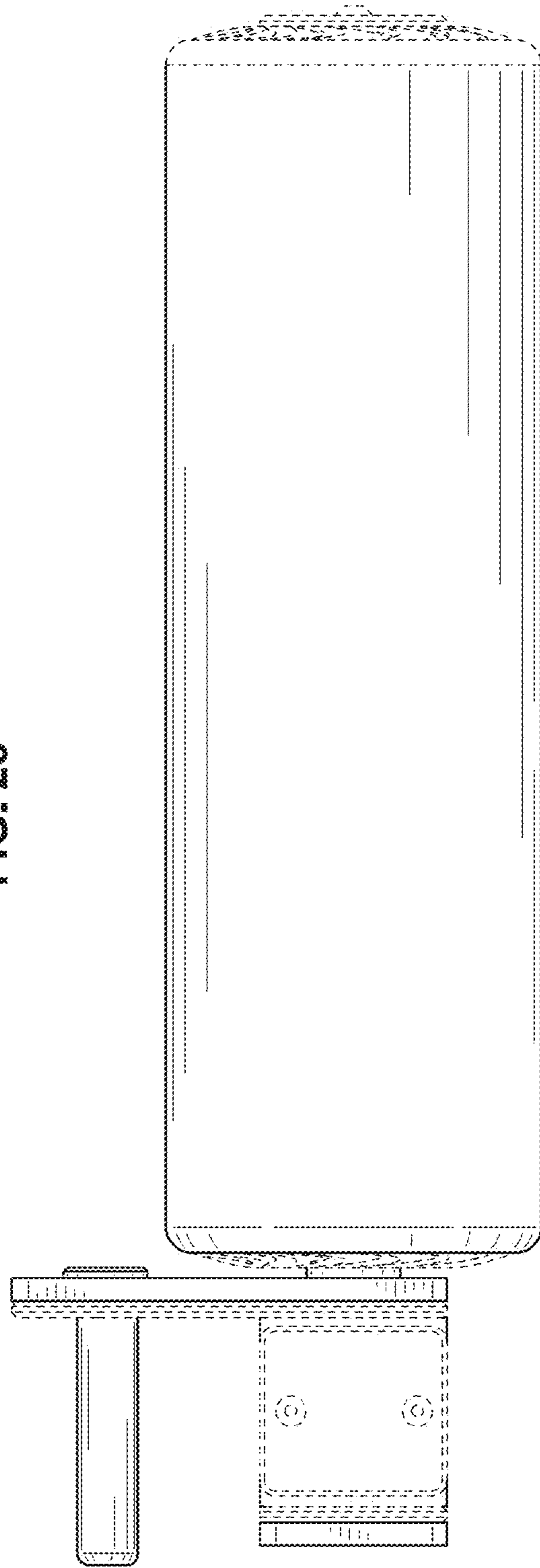


FIG. 26

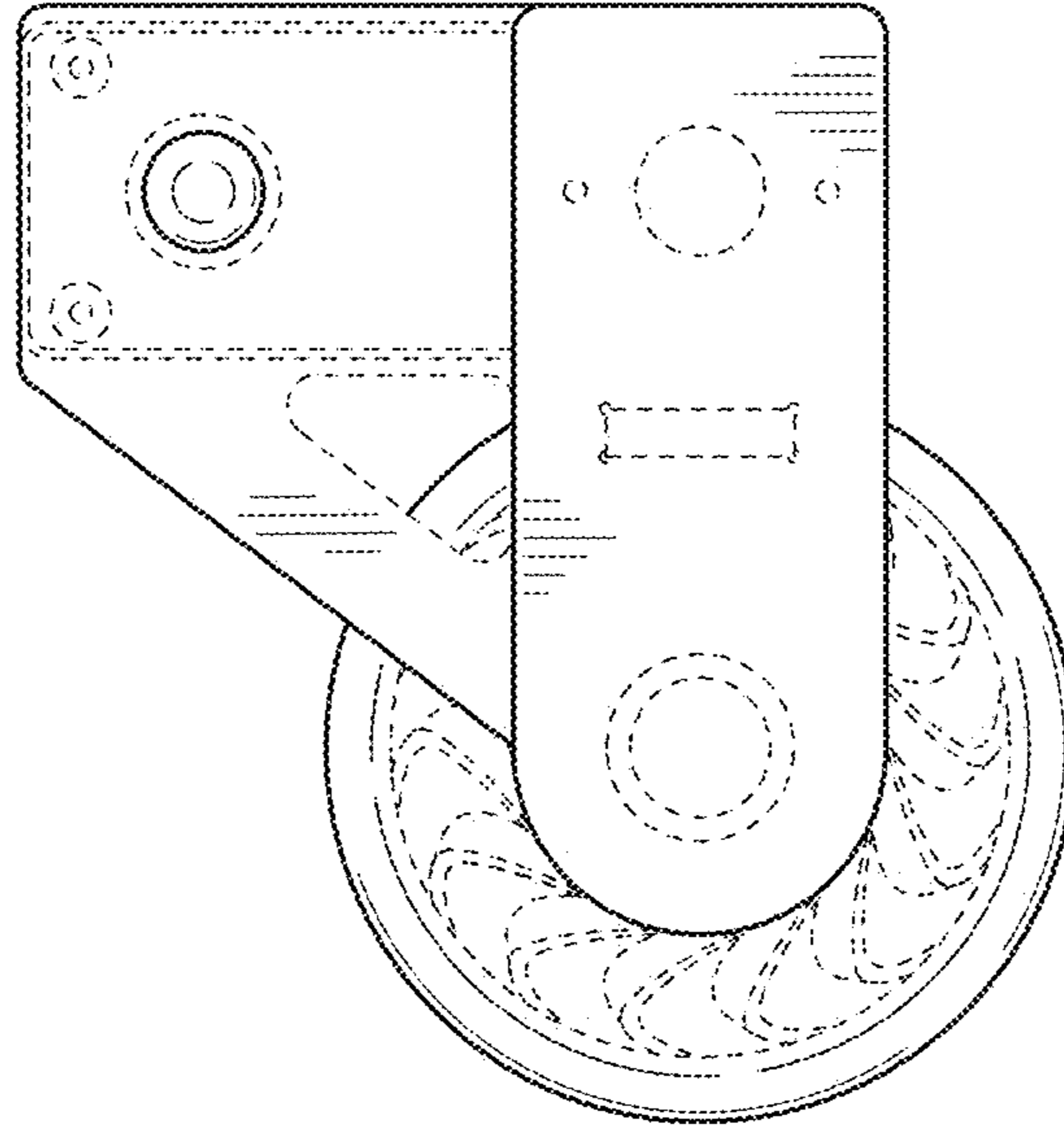


FIG. 27

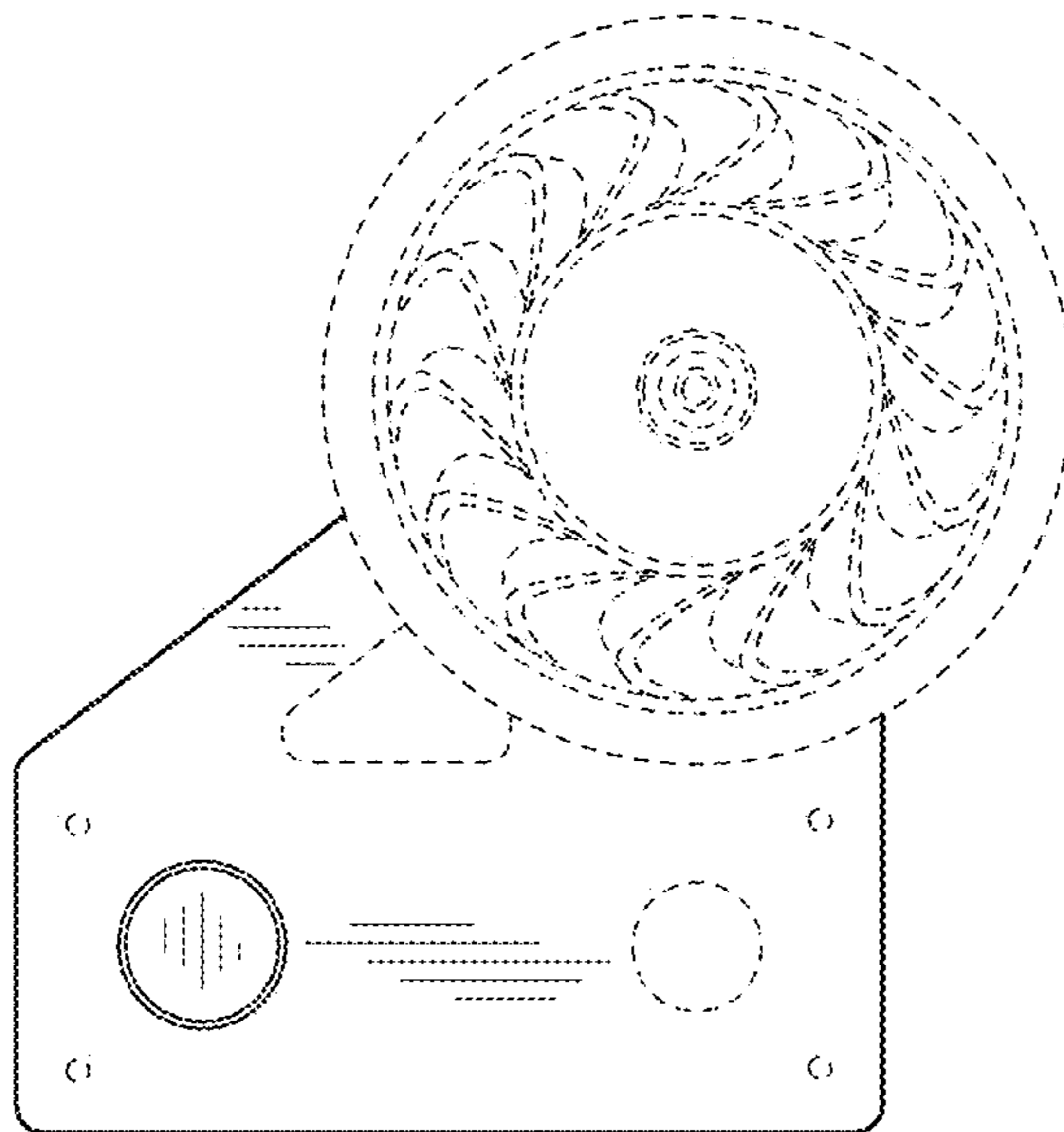


FIG. 28