



US00D907725S

(12) **United States Design Patent**  
**Adams**

(10) **Patent No.:** **US D907,725 S**  
(45) **Date of Patent:** **\*\* Jan. 12, 2021**

(54) **STORAGE RACK**

(71) Applicant: **Coulter Ventures, LLC.**, Columbus,  
OH (US)

(72) Inventor: **Bryan Adams**, Columbus, OH (US)

(73) Assignee: **Coulter Ventures, LLC.**, Columbus,  
OH (US)

(\*\*) Term: **15 Years**

(21) Appl. No.: **29/690,356**

(22) Filed: **May 7, 2019**

(51) **LOC (13) Cl.** ..... **21-02**

(52) **U.S. Cl.**

USPC ..... **D21/694**; D21/686

(58) **Field of Classification Search**

USPC ..... D21/694, 686, 676, 673, 690, 681, 680,  
D21/682, 688, 663, 679, 691, 674;  
482/131, 38, 142, 130, 94, 145, 108, 104,  
482/129, 120, 98; D12/203, 130, 406;  
D24/188; D8/330; D6/536, 553  
CPC ..... A63B 21/0628; A63B 21/4035; A63B  
21/078; A63B 21/075; A63B 21/063;  
A63B 21/0728; A63B 21/072; A63B  
23/1218; A63B 23/1209; A63B 23/12;  
A63B 21/0783; A63B 21/4017

See application file for complete search history.

(56) **References Cited**

**U.S. PATENT DOCUMENTS**

4,049,126 A \* 9/1977 Halverson ..... A63B 71/0045  
211/104  
D254,881 S \* 5/1980 Pyskaty ..... D6/526  
4,286,782 A 9/1981 Fuhrhop  
D279,640 S \* 7/1985 Walbeck ..... D6/536  
D333,687 S \* 3/1993 Smith ..... D21/691  
D370,815 S \* 6/1996 Guida ..... D6/552  
D415,223 S \* 10/1999 Gay ..... D21/686

D444,827 S \* 7/2001 Mobley ..... D21/694  
D455,310 S \* 4/2002 Webber ..... D21/686  
D469,294 S \* 1/2003 Harms ..... D21/686  
6,685,601 B1 \* 2/2004 Knapp ..... A63B 21/078  
482/104  
D502,516 S \* 3/2005 Chen ..... D21/669  
D562,670 S \* 2/2008 Rogers ..... D21/694  
7,338,416 B2 \* 3/2008 Smith ..... A63B 21/078  
248/125.3  
D587,946 S \* 3/2009 Spinaio ..... D6/552  
(Continued)

**OTHER PUBLICATIONS**

Product listing for Monster Lite Sandwich J-Cup Pair from <<https://web.archive.org/web/20170703011632/https://www.roguefitness.com/monster-lite-sandwich-j-cup-pair>>, dated Jul. 3, 2017.

(Continued)

*Primary Examiner* — Ryan Harvey

(74) *Attorney, Agent, or Firm* — Banner & Witcoff, Ltd.

(57) **CLAIM**

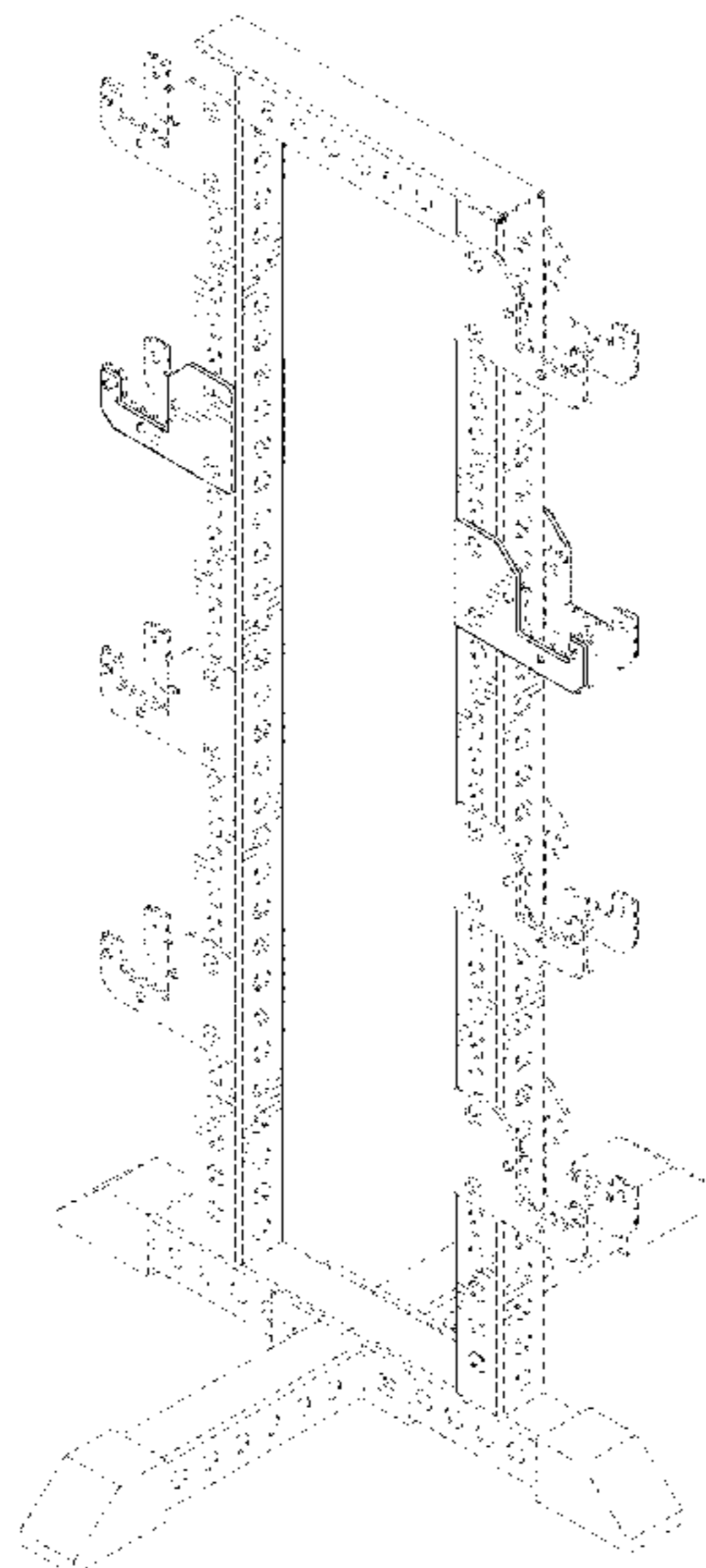
The ornamental design for a storage rack, as shown and described.

**DESCRIPTION**

FIG. 1 is a top, front, right perspective view of a storage rack showing my new design;  
FIG. 2 is a front view thereof;  
FIG. 3 is a rear view thereof;  
FIG. 4 is a left side view thereof;  
FIG. 5 is a right side view thereof;  
FIG. 6 is a top view thereof; and,  
FIG. 7 is a bottom view thereof.

The broken lines immediately adjacent to the shaded area define the bounds of the claimed design and form no part thereof. The broken lines depicting the remainder of the storage rack show features that form no part of the claimed design.

**1 Claim, 7 Drawing Sheets**



(56)

References Cited

U.S. PATENT DOCUMENTS

7,699,756 B2 \* 4/2010 Piane, Jr. .... A63B 17/04  
482/38  
7,815,555 B2 \* 10/2010 Webber ..... A63B 21/0618  
482/104  
D629,472 S \* 12/2010 Rhodes ..... D21/686  
D725,406 S \* 3/2015 Olszewski ..... D6/567  
9,289,638 B2 3/2016 Towley, III et al.  
9,517,382 B2 \* 12/2016 Payne ..... A63B 23/0233  
D786,580 S \* 5/2017 Chesterton ..... D6/552  
D818,547 S \* 5/2018 Meredith ..... D21/686  
D833,170 S \* 11/2018 Ford ..... D6/552  
D836,172 S \* 12/2018 Kuka ..... D21/686  
D852,291 S \* 6/2019 Meredith ..... D21/686  
D853,506 S \* 7/2019 Arceta ..... D21/686  
10,391,377 B1 \* 8/2019 Sorin ..... A63B 22/0046  
D860,677 S \* 9/2019 Chesterton ..... D6/552  
D861,806 S \* 10/2019 Arceta ..... D21/686  
D878,095 S \* 3/2020 Dunahay ..... D6/553  
D882,286 S \* 4/2020 Zoretic ..... D6/552  
D882,288 S \* 4/2020 Liu ..... D6/552  
D884,095 S \* 5/2020 Dunahay ..... D21/694  
D884,096 S \* 5/2020 Dunahay ..... D21/694  
D890,273 S \* 7/2020 Dunahay ..... D21/694  
2007/0155594 A1 \* 7/2007 Rogers ..... A63B 71/0036  
482/94  
2009/0143203 A1 \* 6/2009 Knapp ..... A63B 21/078  
482/104  
2012/0289384 A1 \* 11/2012 Staten ..... A63B 21/0783  
482/104  
2013/0296143 A1 \* 11/2013 Staten ..... A63B 21/0618  
482/98  
2013/0296146 A1 \* 11/2013 Staten ..... A63B 21/00069  
482/120  
2014/0200117 A1 \* 7/2014 Grider ..... A63B 17/04  
482/104  
2014/0296040 A1 \* 10/2014 Mobley ..... A63B 21/0724  
482/104

2015/0083681 A1 3/2015 Childs  
2015/0290488 A1 \* 10/2015 Hopperstad ..... A63B 23/0405  
482/38  
2016/0213966 A1 \* 7/2016 Chou ..... A63B 71/0036  
2017/0007877 A1 \* 1/2017 Leipheimer ..... A63B 21/078  
2017/0246496 A1 \* 8/2017 Nelson ..... A63B 21/0783  
2018/0104527 A1 \* 4/2018 Meredith ..... A47B 57/42  
2018/0353795 A1 \* 12/2018 Ostmeyer ..... A63B 23/035  
2019/0247701 A1 \* 8/2019 Sergakis ..... A63B 71/0036  
2019/0275363 A1 \* 9/2019 Jones ..... A63B 21/0616  
2020/0038704 A1 \* 2/2020 Adams ..... A63B 21/4009  
2020/0101342 A1 \* 4/2020 Lawton ..... A63B 21/0414

OTHER PUBLICATIONS

Photos of Monster Lite Sandwich J-Cup Pair from <<https://web.archive.org/web/20170703011632/https://www.roguefitness.com/monster-lite-sandwich-j-cup-pair>>, dated Jul. 3, 2017.  
Product listing for Monster Lite J-Cups from <<https://web.archive.org/web/20170616042929/https://www.roguefitness.com/j-3358-monster-lite-j-cups>>, dated Jun. 16, 2017.  
Product listing for Rogue Infinity J-Cup Set from <<https://web.archive.org/web/20170704075121/https://www.roguefitness.com/extra-infinity-j-cup-set>>, dated Jul. 4, 2017.  
Product listing for Extra Echo J-Cups Set from <<https://web.archive.org/web/20170702102431/https://www.roguefitness.com/extra-echo-j-cups-set>>, dated Jul. 2, 2017.  
Product listing for Rogue Adjustable Monolift—Monster from <<https://web.archive.org/web/20170619160411/https://www.roguefitness.com/rogue-adjustable-monolift-monster>>, dated Jun. 19, 2017.  
Photos of Rogue Adjustable Monolift—Monster from <<https://web.archive.org/web/20170619160411/https://www.roguefitness.com/rogue-adjustable-monolift-monster>>, dated Jun. 19, 2017.  
Product listing for Rogue Adjustable Monolift—Monster Lite from <<https://web.archive.org/web/20170706085230/https://www.roguefitness.com/rogue-adjustable-monolift-monster-lite>>, dated Jul. 6, 2017.

\* cited by examiner

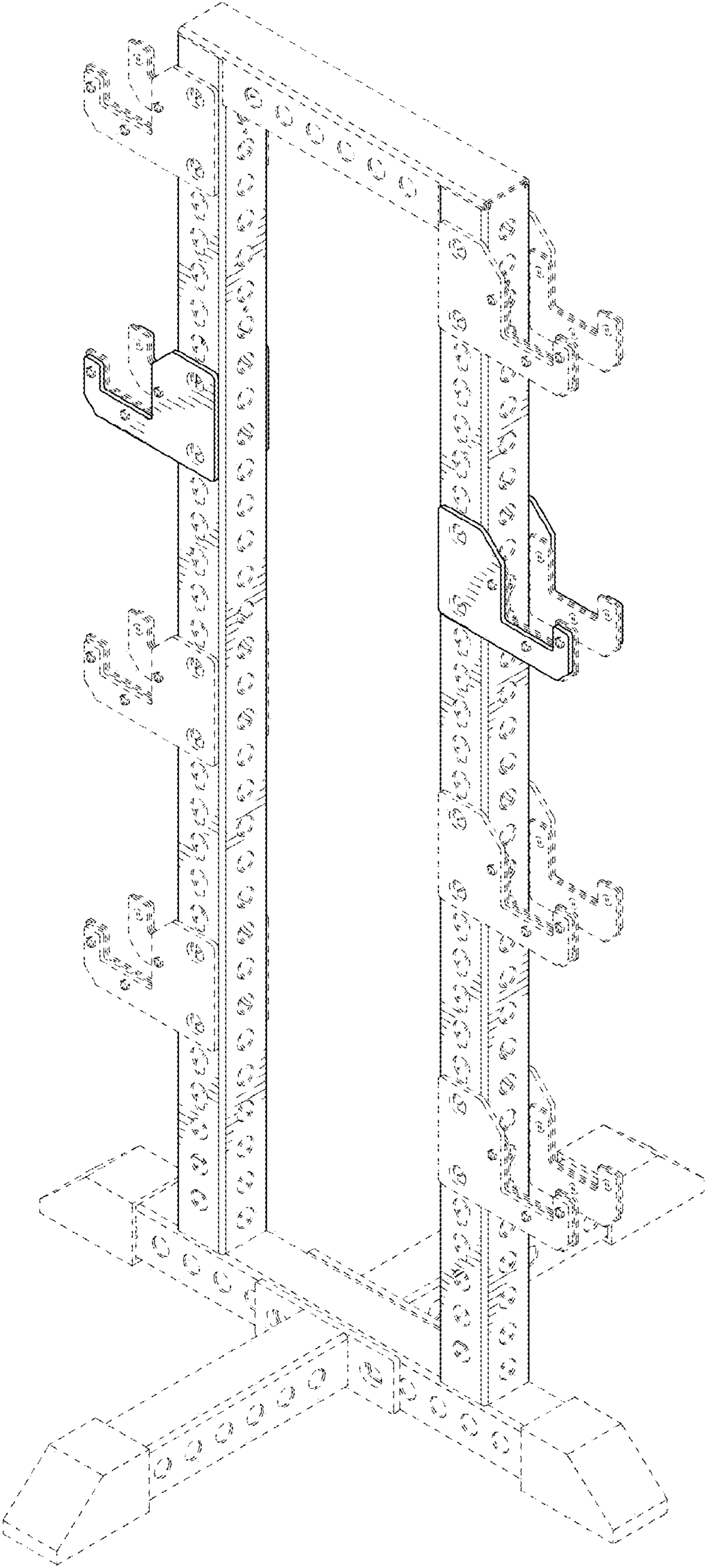


FIG. 1

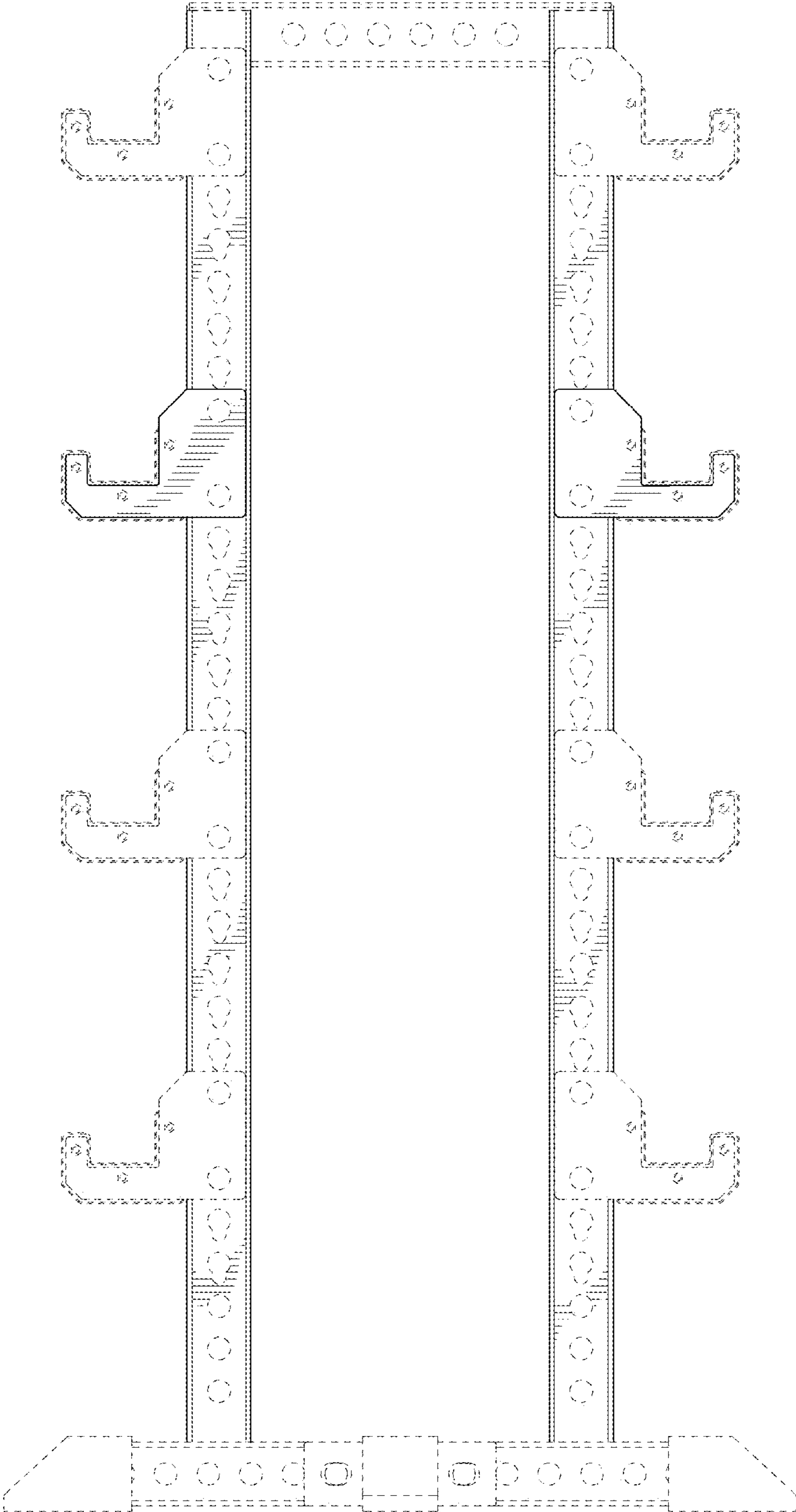


FIG. 2

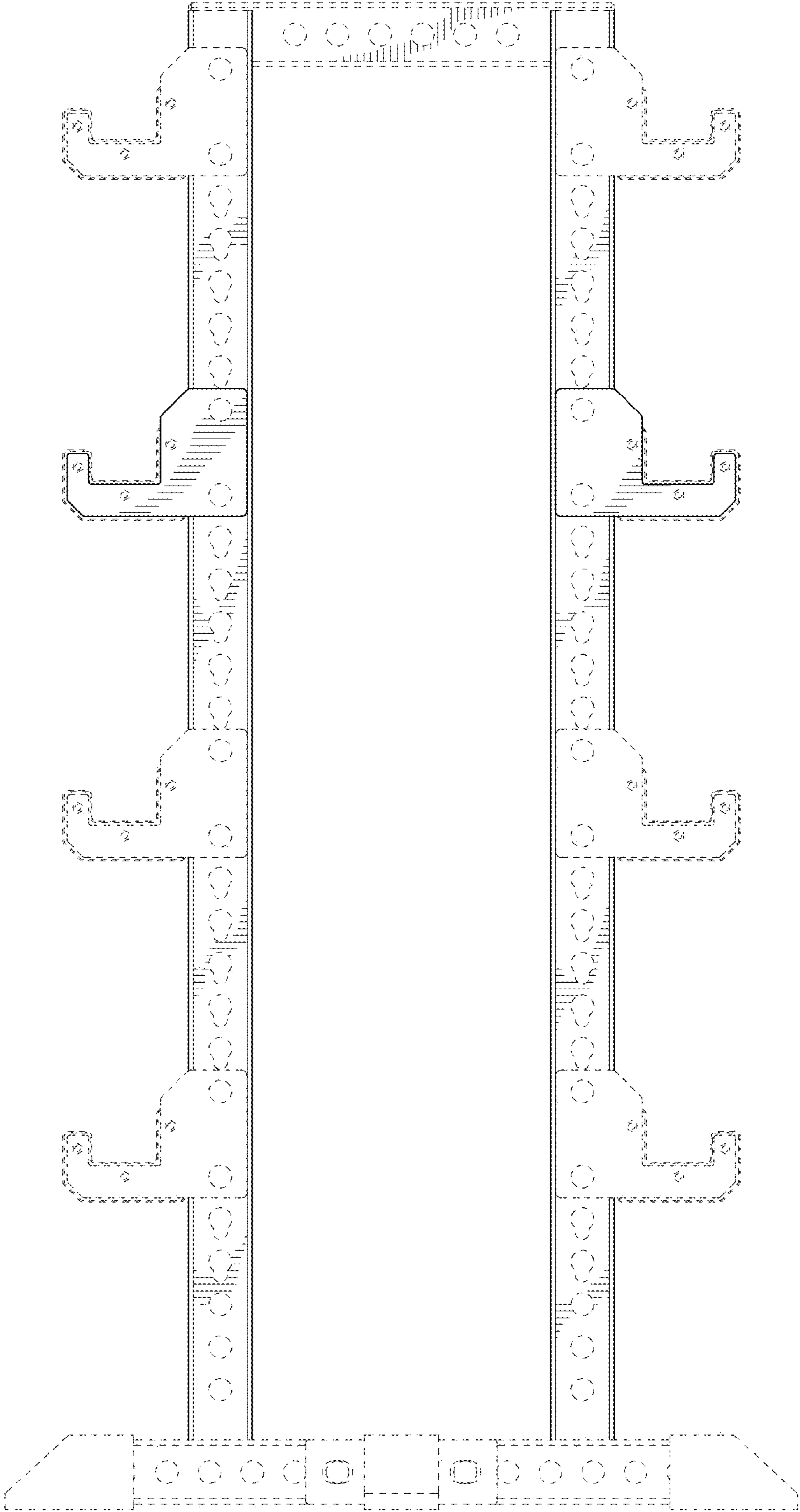


FIG. 3

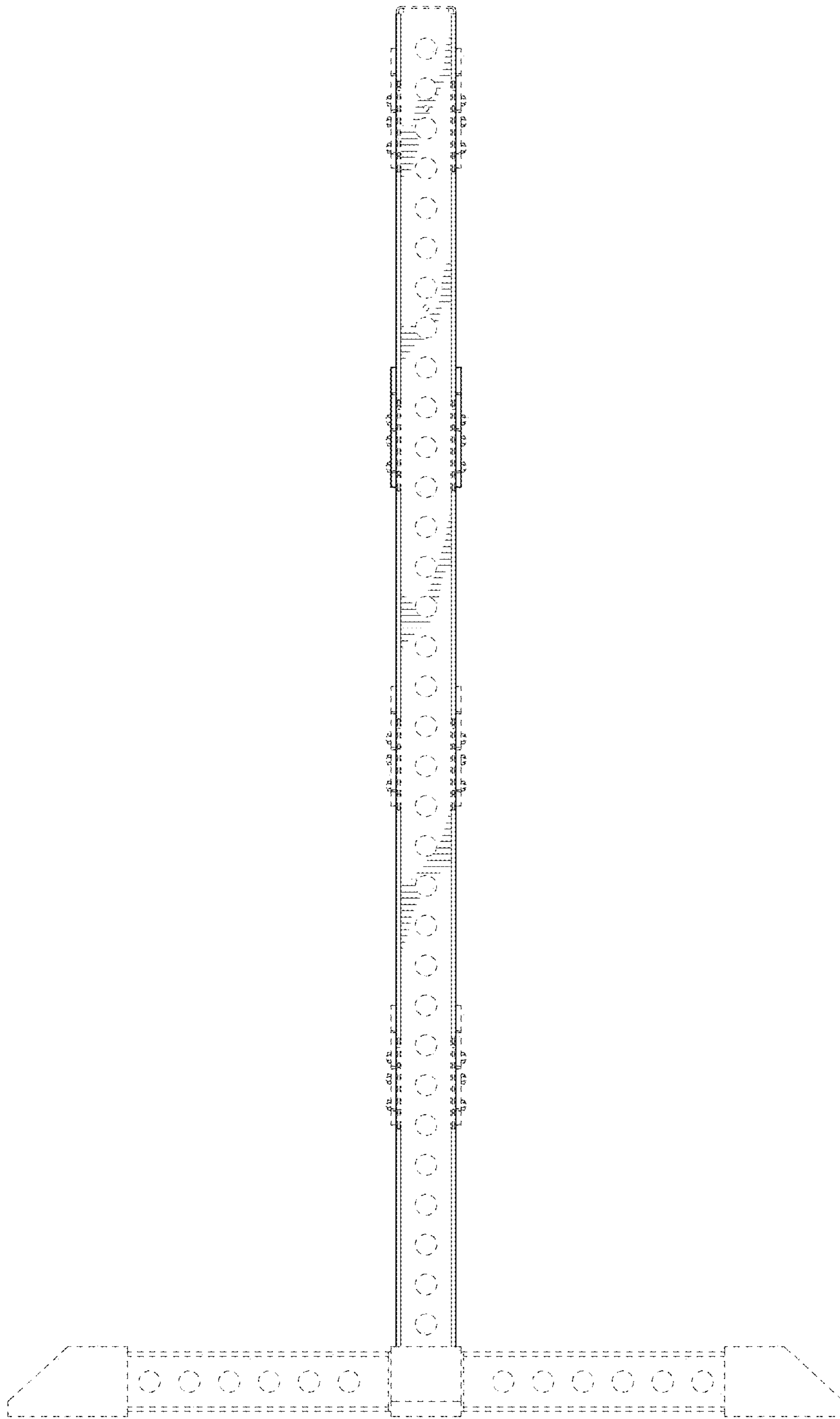


FIG. 4

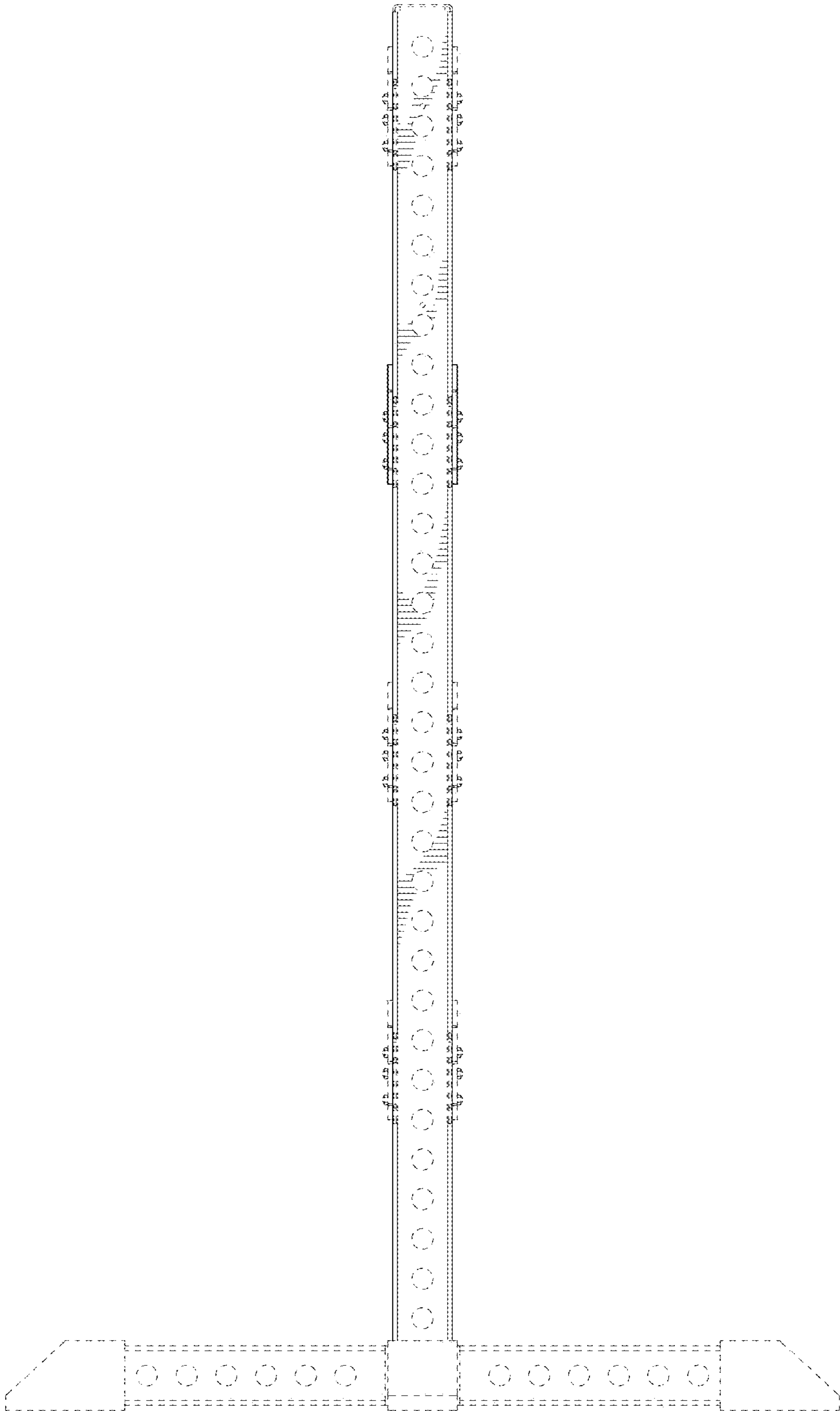


FIG. 5

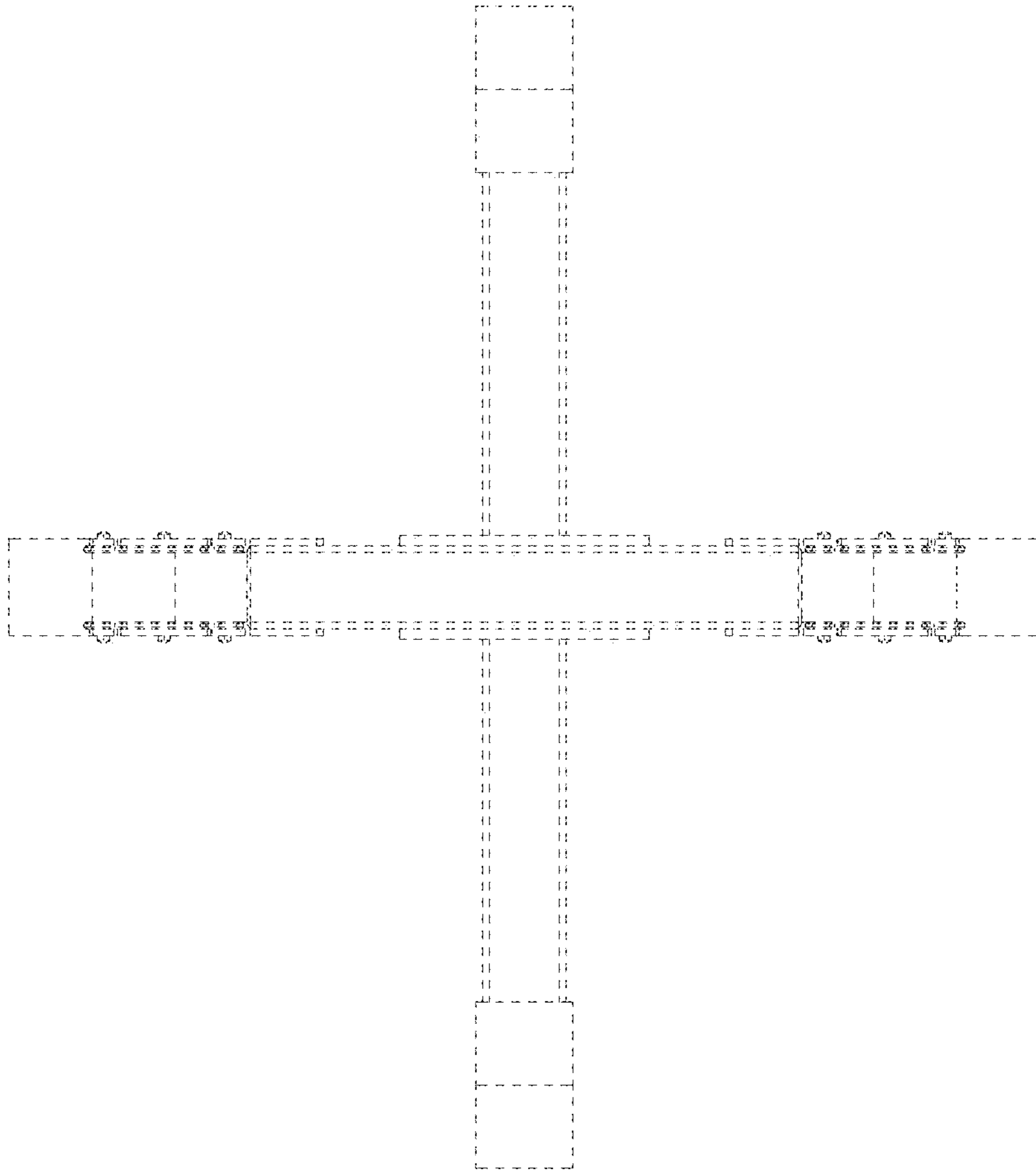


FIG. 6



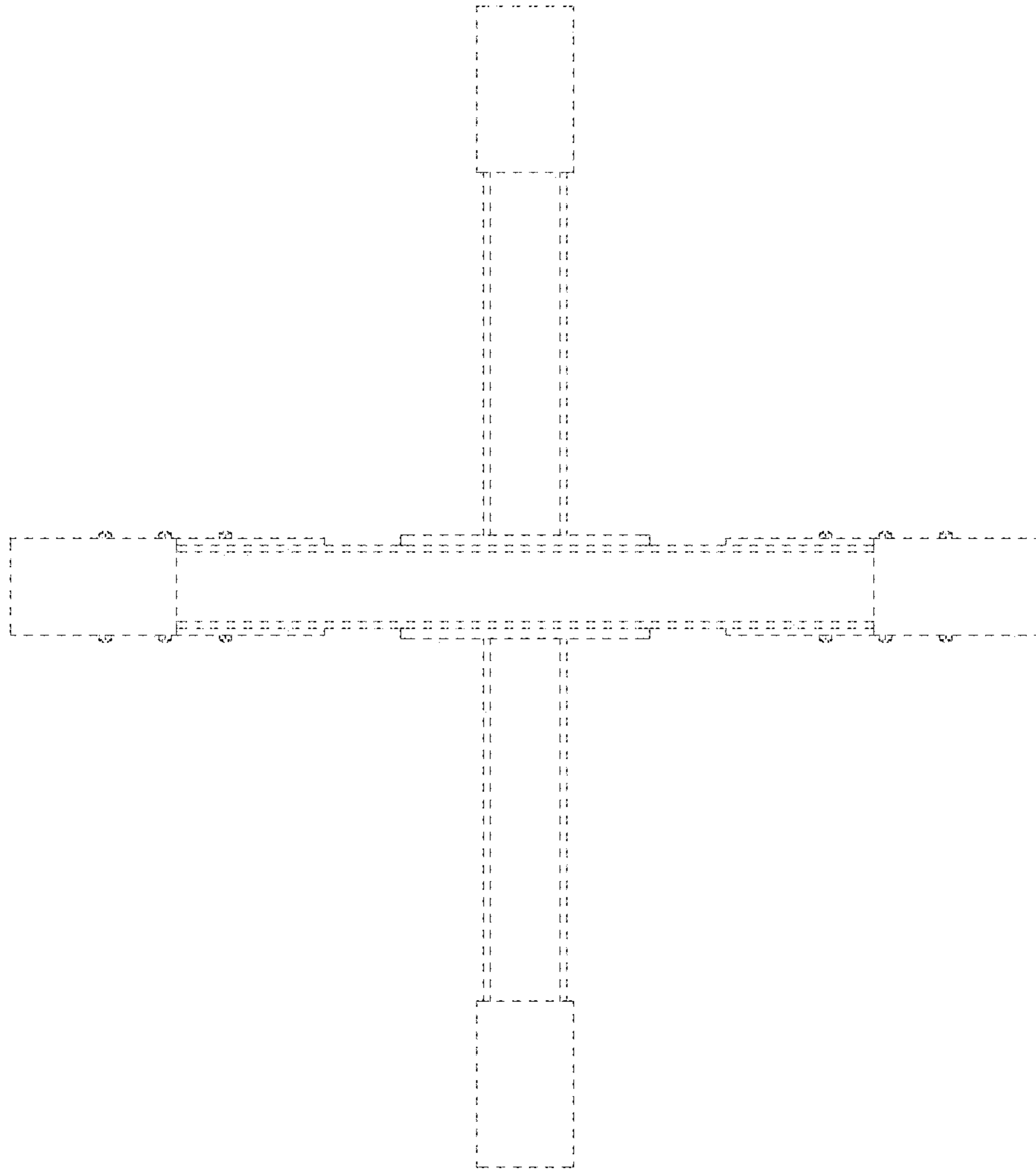


FIG. 7