



US00D907724S

(12) **United States Design Patent**
Adams

(10) **Patent No.:** **US D907,724 S**
(45) **Date of Patent:** **** Jan. 12, 2021**

(54) **HANGER FOR WEIGHT RACK**
(71) Applicant: **Coulter Ventures, LLC.**, Columbus,
OH (US)
(72) Inventor: **Bryan Adams**, Columbus, OH (US)
(73) Assignee: **Coulter Ventures, LLC.**, Columbus,
OH (US)

D469,294 S * 1/2003 Harms D21/686
6,685,601 B1 * 2/2004 Knapp A63B 21/078
482/104
D502,516 S * 3/2005 Chen D21/669
D562,670 S * 2/2008 Rogers D21/694
7,338,416 B2 * 3/2008 Smith A63B 21/078
248/125.3
D587,946 S * 3/2009 Spinaio D6/552
7,699,756 B2 * 4/2010 Piane, Jr. A63B 17/04
482/38

(**) Term: **15 Years**

(Continued)

(21) Appl. No.: **29/690,348**

(22) Filed: **May 7, 2019**

(51) **LOC (13) Cl.** **21-02**

(52) **U.S. Cl.**
USPC **D21/694**

(58) **Field of Classification Search**
USPC D21/694, 686, 676, 673, 690, 681, 680,
D21/682, 688, 663, 679, 691, 674;
482/131, 38, 142, 130, 94, 145, 108, 104,
482/129, 120, 98; D12/203, 130, 406;
D24/188; D8/330; D6/536, 553
CPC A63B 21/0628; A63B 21/4035; A63B
21/078; A63B 21/075; A63B 21/063;
A63B 21/0728; A63B 21/072; A63B
23/1218; A63B 23/1209; A63B 23/12;
A63B 21/0783; A63B 21/4017
See application file for complete search history.

OTHER PUBLICATIONS

Titan Fitness 3 by Titan dated Feb. 3, 2020. Found online [Aug. 28,
2020] https://www.amazon.com/Titan-Fitness-Barbell-Vertical-Hanger/dp/B081K7RXG2/ref=sr_1_25?dchild=1&keywords=vertical+barbell+hanger&qid=1598555348&sr=8-25.*

(Continued)

Primary Examiner — Ryan Harvey
(74) *Attorney, Agent, or Firm* — Banner & Witcoff, Ltd.

(57) **CLAIM**

The ornamental design for a hanger for weight rack, as shown and described.

DESCRIPTION

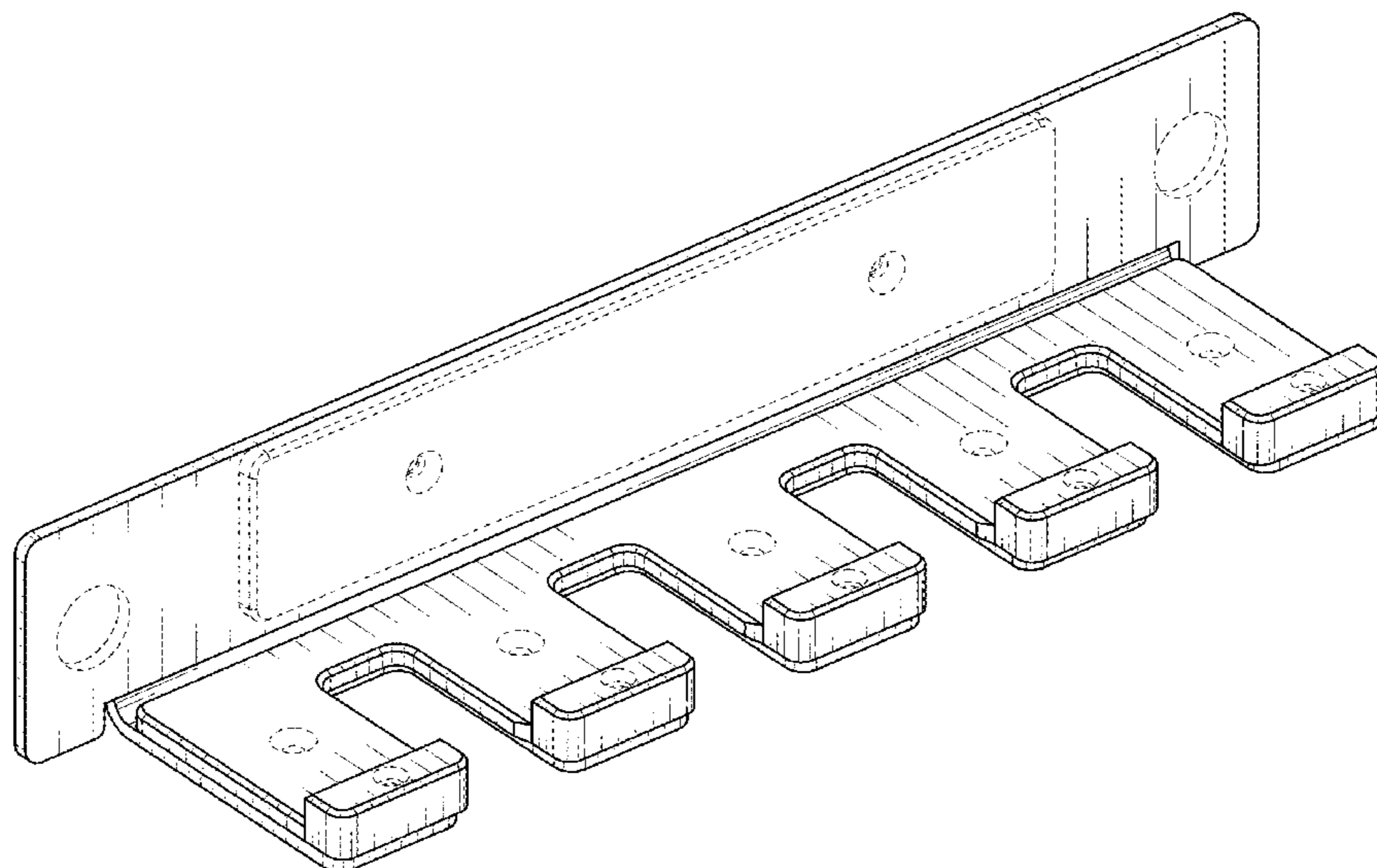
FIG. 1 is a top, front, left perspective view of a hanger for weight rack showing my new design;
FIG. 2 is a front view thereof;
FIG. 3 is a left side view thereof;
FIG. 4 is a right side view thereof;
FIG. 5 is a top view thereof; and,
FIG. 6 is a bottom view thereof.
The broken lines immediately adjacent to the shaded area define the bounds of the claimed design and form no part thereof. The broken lines depicting the remainder of the hanger for weight rack show features that form no part of the claimed design.

(56) **References Cited**

U.S. PATENT DOCUMENTS

4,049,126 A * 9/1977 Halverson A63B 71/0045
211/104
D254,881 S * 5/1980 Pyskaty D6/526
D279,640 S * 7/1985 Walbeck D6/536
D333,687 S * 3/1993 Smith D21/691
D370,815 S * 6/1996 Guida D6/552
D415,223 S * 10/1999 Gay D21/686
D444,827 S * 7/2001 Mobley D21/694
D455,310 S * 4/2002 Webber D21/686

1 Claim, 4 Drawing Sheets



(56)

References Cited

U.S. PATENT DOCUMENTS

7,815,555 B2 * 10/2010 Webber A63B 21/0618
482/104
D629,472 S * 12/2010 Rhodes D21/686
D725,406 S * 3/2015 Olszewski D6/567
9,517,382 B2 * 12/2016 Payne A63B 23/0233
D786,580 S * 5/2017 Chesterton D6/552
D818,547 S * 5/2018 Meredith D21/686
D833,170 S * 11/2018 Ford D6/552
D836,172 S * 12/2018 Kuka D21/686
D852,291 S * 6/2019 Meredith D21/686
D853,506 S * 7/2019 Arceta D21/686
10,391,377 B1 * 8/2019 Sorin A63B 22/0046
D860,677 S * 9/2019 Chesterton D6/552
D861,806 S * 10/2019 Arceta D21/686
D878,095 S * 3/2020 Dunahay D6/553
D882,286 S * 4/2020 Zoretic D6/552
D882,288 S * 4/2020 Liu D6/552
D884,095 S * 5/2020 Dunahay D21/694
D884,096 S * 5/2020 Dunahay D21/694
D890,273 S * 7/2020 Dunahay D21/694
2007/0155594 A1 * 7/2007 Rogers A63B 71/0036
482/94
2009/0143203 A1 * 6/2009 Knapp A63B 21/078
482/104
2012/0289384 A1 * 11/2012 Staten A63B 21/0783
482/104
2013/0296143 A1 * 11/2013 Staten A63B 21/0618
482/98
2013/0296146 A1 * 11/2013 Staten A63B 21/00069
482/120
2014/0200117 A1 * 7/2014 Grider A63B 17/04
482/104
2014/0296040 A1 * 10/2014 Mobley A63B 21/0724
482/104
2015/0290488 A1 * 10/2015 Hopperstad A63B 23/0405
482/38
2016/0213966 A1 * 7/2016 Chou A63B 71/0036
2017/0007877 A1 * 1/2017 Leipheimer A63B 21/078
2017/0246496 A1 * 8/2017 Nelson A63B 21/0783

2018/0104527 A1 * 4/2018 Meredith A47B 57/42
2018/0353795 A1 * 12/2018 Ostmeyer A63B 23/035
2019/0247701 A1 * 8/2019 Sergakis A63B 71/0036
2019/0275363 A1 * 9/2019 Jones A63B 21/0616
2020/0038704 A1 * 2/2020 Adams A63B 21/4009
2020/0101342 A1 * 4/2020 Lawton A63B 21/0414

OTHER PUBLICATIONS

A2ZCARE by A2ZCARE dated Jun. 15, 2020. Found online [Aug. 28, 2020] https://www.amazon.com/A2ZCARE-Mounted-Olympic-Barbell-Holder/dp/B07XZ5KBQ9/ref=sr_1_9?dchild=1&keywords=vertical+barbell+hanger&gid=1598555348&sr=8-9.*

Valor Fitness by Valor dated Jun. 1, 2019. Found online [Aug. 28, 2020] https://www.amazon.com/Valor-Fitness-Vertical-Olympic-Standard/dp/B07NQR4PZ4/ref=sr_1_7?dchild=1&keywords=vertical%2Bbarbell%2Bhanger&qid=1598555348&sr=8-7&th=1.*

UBOWAY by UBOWAY dated Feb. 9, 2020. Found online [Aug. 28, 2020] https://www.amazon.com/UBOWAY-Vertical-Olympic-Barbell-Holder/dp/B07V7N6TPM/ref=sr_1_5?dchild=1&keywords=vertical+barbell+hanger&qid=1598555348&sr=8-5.*

Monster Rack Mount 4-Bar Hanger by Rogue dated no date given. Found online [Aug. 28, 2020] <https://www.roguefitness.com/monster-rack-mount-4-bar-hanger>.*

Monster Mass Storage Hangers by Rogue dated no date given. Found online [Aug. 28, 2020] <https://www.roguefitness.com/monster-mass-storage-hangers>.*

Rogue Rower Hanger by Rogue dated no date given. Found online [Aug. 28, 2020] <https://www.roguefitness.com/rogue-row-hanger-black>.*

Multi-Use Hanger by Rogue dated no date given. Found online [Aug. 28, 2020] <https://www.roguefitness.com/multi-use-hanger>.*

Product listing for Rogue Vertical Bar Hanger, from <<https://web.archive.org/web/20170603132030/https://www.roguefitness.com/vertical-bar-hanger>>, dated Jun. 3, 2017.

Photos of Rogue Vertical Bar Hanger from <<https://web.archive.org/web/20170603132030/https://www.roguefitness.com/vertical-bar-hanger>>, dated Jun. 3, 2017.

* cited by examiner

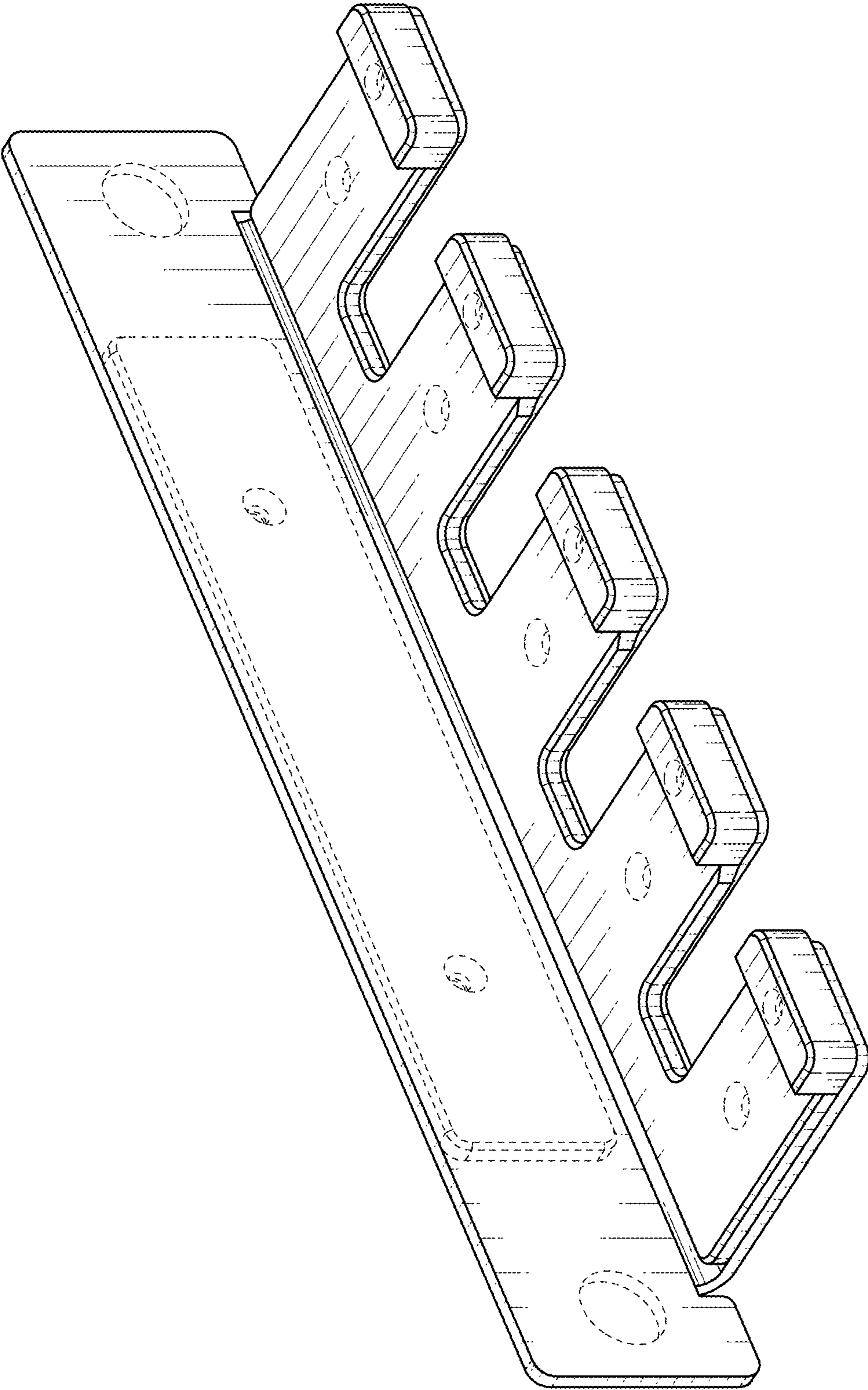


FIG. 1

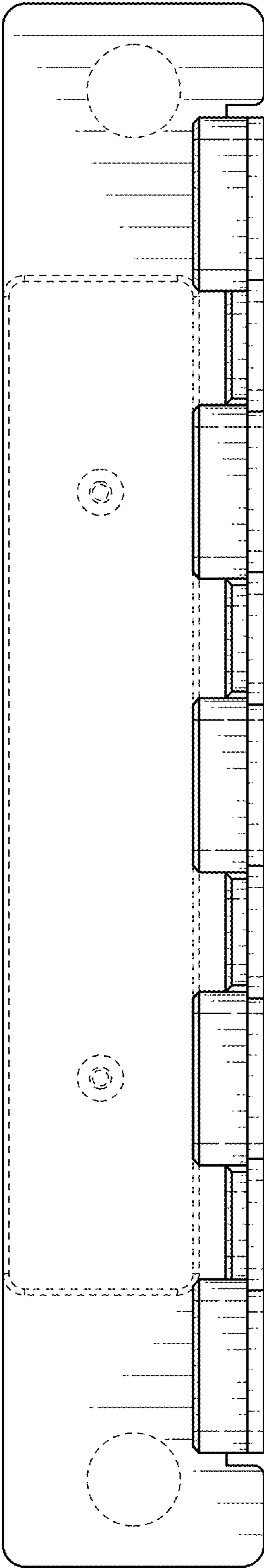


FIG. 2

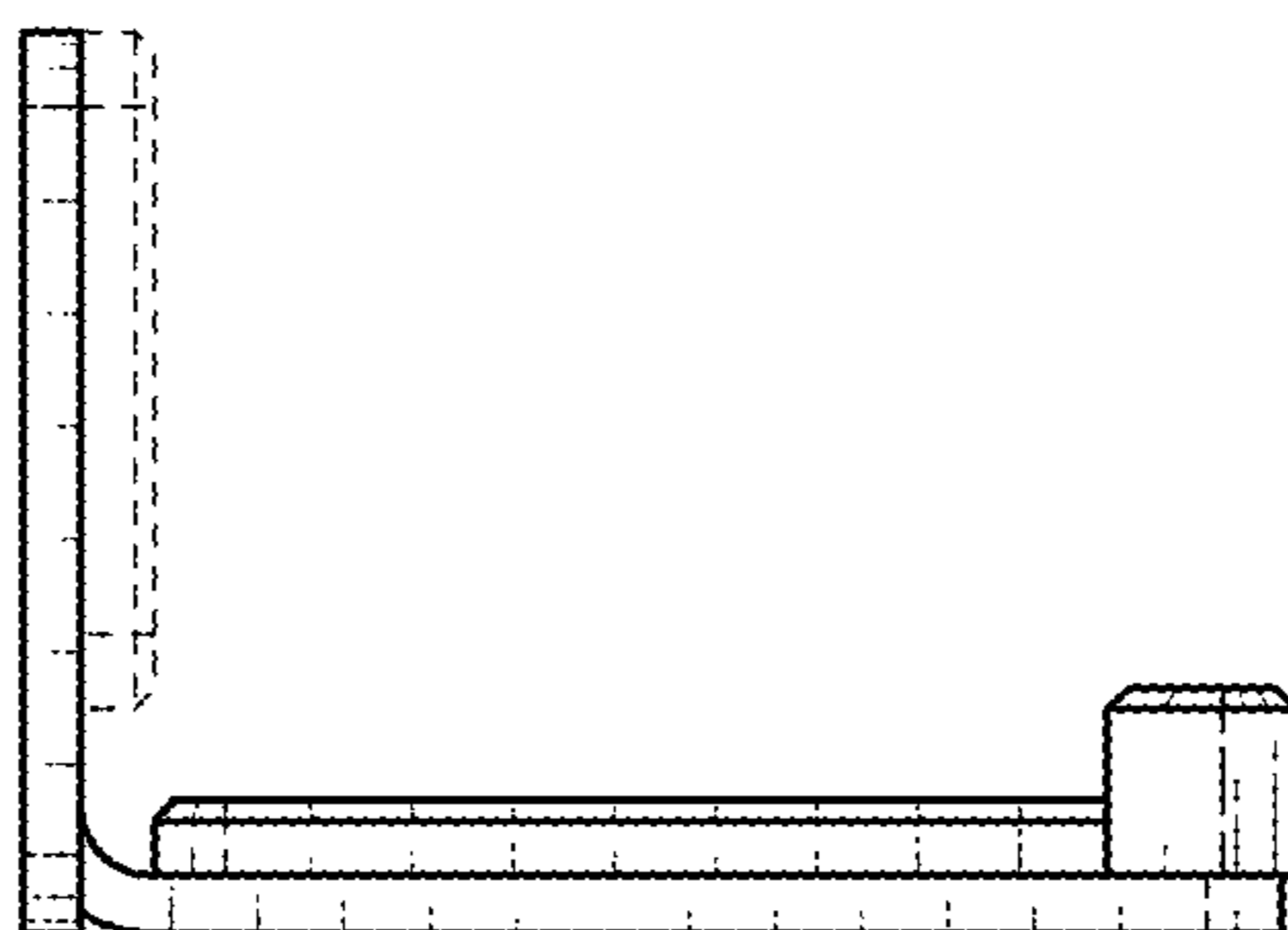


FIG. 3

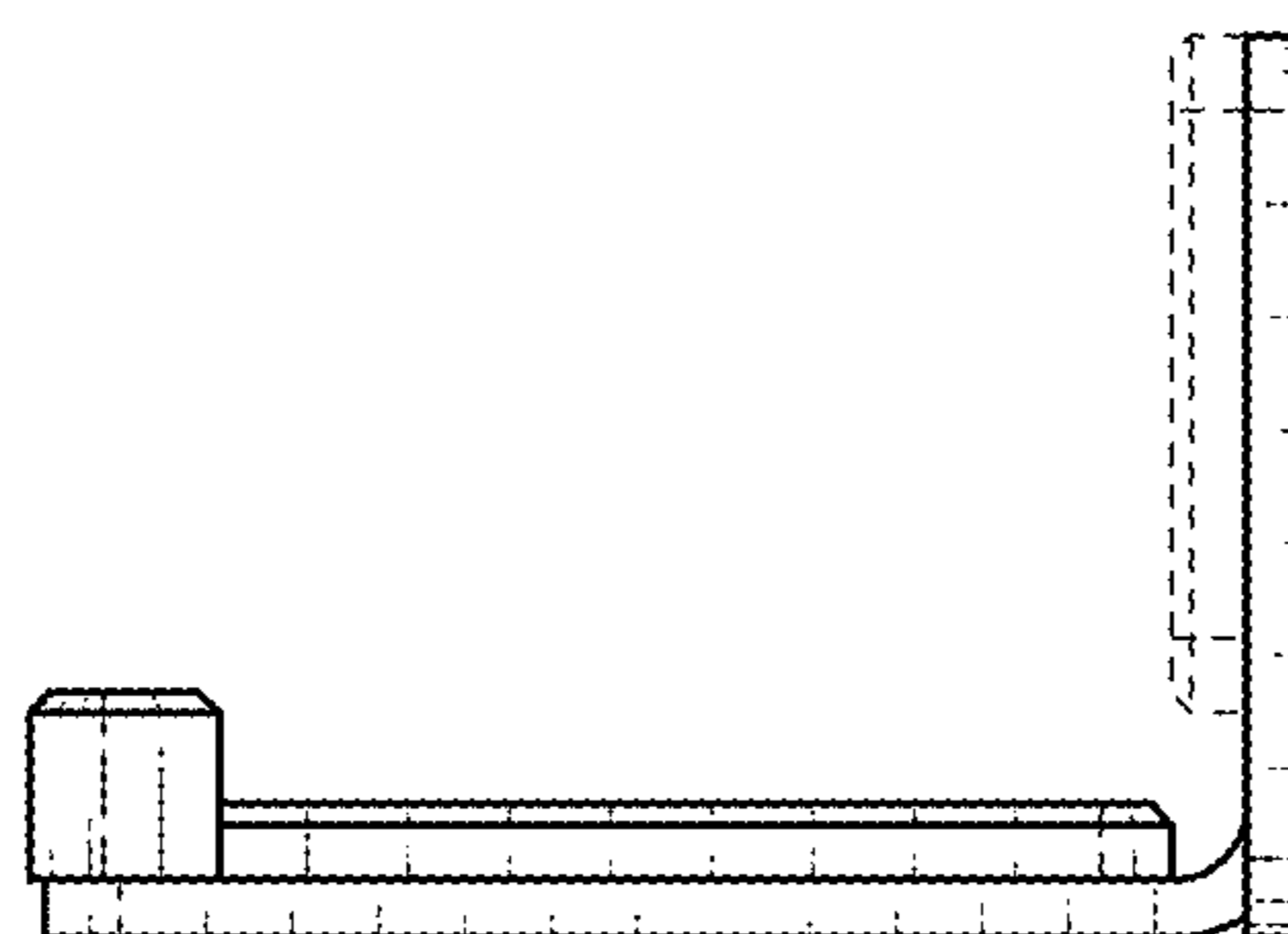


FIG. 4

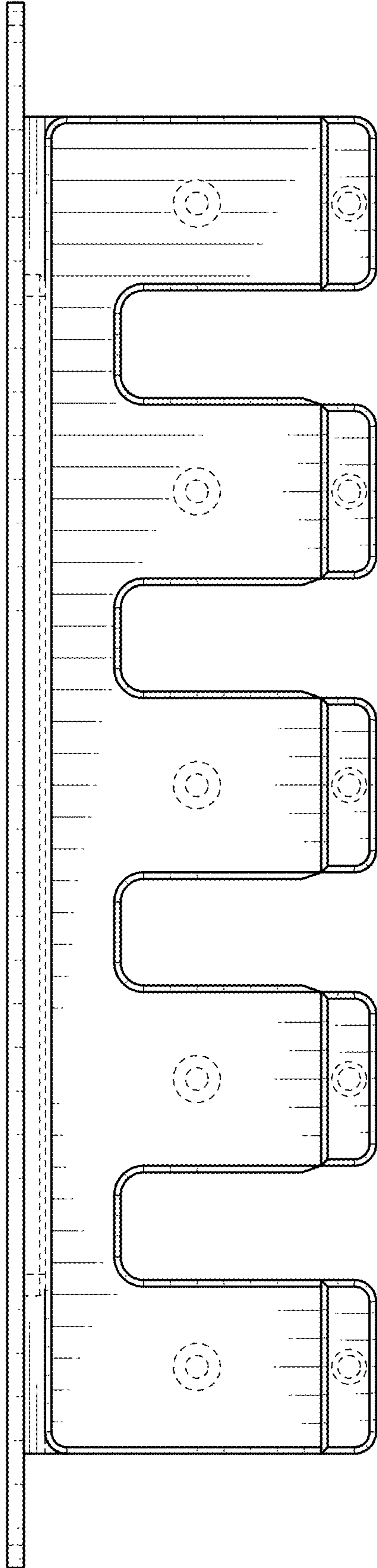


FIG. 5

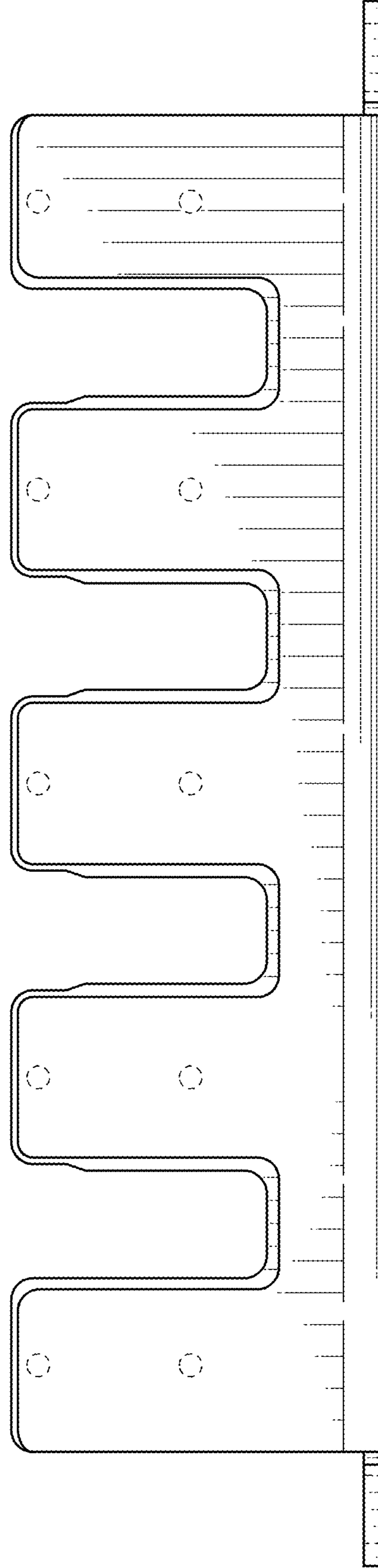


FIG. 6