



US00D907718S

(12) **United States Design Patent**  
**Reese**

(10) **Patent No.:** **US D907,718 S**  
(45) **Date of Patent:** **\*\* Jan. 12, 2021**

- (54) **TOY MUSICAL INSTRUMENT**
- (71) Applicant: **Kids II Hape Joint Venture Limited,**  
Hong Kong (CN)
- (72) Inventor: **Bradford Reese,** Decatur, GA (US)
- (73) Assignee: **Kids II Hape Joint Venture Limited,**  
Hong Kong (CN)
- (\*\*) Term: **15 Years**
- (21) Appl. No.: **29/704,237**
- (22) Filed: **Sep. 3, 2019**

**Related U.S. Application Data**

- (63) Continuation of application No. 16/241,601, filed on  
Jan. 7, 2019.
- (51) **LOC (13) Cl.** ..... **21-01**
- (52) **U.S. Cl.**  
USPC ..... **D21/410; D17/23**
- (58) **Field of Classification Search**  
USPC ..... D21/405, 409, 410; D17/22, 23;  
D19/59, 60; 446/143, 175, 408, 484;  
84/470 R, 477 R, 402-404; 984/150, 155  
CPC ..... A63H 5/00; A63H 2200/00; A63H 33/22;  
A63H 33/26; G10H 2230/055; G10H  
2230/075; G10H 2230/111; G10H  
2230/121; G10H 2230/131; G10H  
2230/145; G10H 2230/00; G10H 1/32;  
G10H 1/34; G10H 1/342; G10D 13/08;  
G10D 13/09; G10G 5/00  
See application file for complete search history.

(56) **References Cited**

**U.S. PATENT DOCUMENTS**

- 1,127,320 A \* 2/1915 Tiffner ..... H04R 1/2811  
181/160
- 1,941,373 A \* 12/1933 Weidemann ..... G10G 5/00  
84/403

- D141,682 S \* 6/1945 Friedman ..... D17/23
- D143,442 S \* 1/1946 Robinson ..... D21/409
- 2,458,462 A \* 1/1949 Zimmerman ..... G10D 13/08  
84/403
- 2,704,482 A \* 3/1955 Zimmerman ..... G10D 13/08  
84/403
- D175,525 S \* 9/1955 Zimmerman ..... D17/23
- 2,799,198 A \* 7/1957 Zimmerman ..... G10D 13/08  
84/403
- D224,936 S \* 10/1972 Green ..... D21/410
- D314,003 S \* 1/1991 Dean ..... D17/23
- D318,305 S \* 7/1991 Takahashi ..... D21/410
- D321,728 S \* 11/1991 Wehmeyer ..... D21/410
- 5,145,447 A 9/1992 Goldfarb
- 5,545,071 A 8/1996 Shiraiishi

(Continued)

**FOREIGN PATENT DOCUMENTS**

- CN 301840663 \* 2/2012
- CN 301978069 \* 7/2012

(Continued)

*Primary Examiner* — Catherine A Tuttle

(74) *Attorney, Agent, or Firm* — Sterne, Kessler,  
Goldstein & Fox P.L.L.C.

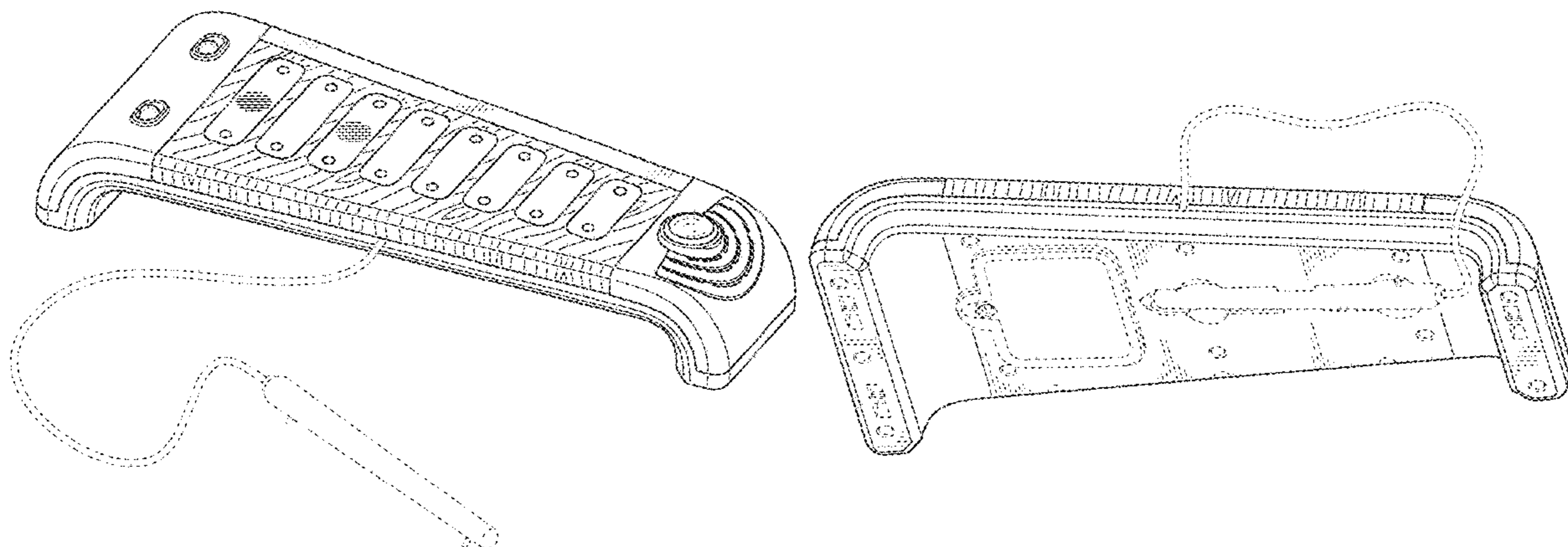
(57) **CLAIM**

The ornamental design for a toy musical instrument, as shown and described.

**DESCRIPTION**

FIG. 1 is a top front perspective view of a toy musical instrument showing our new design; and, FIG. 2 is a bottom front perspective view thereof. The broken lines in the figures show portions of the toy musical instrument that form no part of the claimed design. Portions of the toy musical instrument that are not shown form no part of the claimed design.

**1 Claim, 1 Drawing Sheet**



(56)

**References Cited**

U.S. PATENT DOCUMENTS

D384,691 S \* 10/1997 Heuser ..... 84/404  
6,142,849 A 11/2000 Horton et al.  
D866,673 S \* 11/2019 Jin ..... D21/410  
2019/0212843 A1\* 7/2019 Reese ..... G06F 3/044

FOREIGN PATENT DOCUMENTS

CN 302505313 \* 7/2013  
CN 303416391 \* 10/2015  
GB 769837 A \* 3/1957 ..... G10D 13/08  
GB 804460 A \* 11/1958 ..... G10D 13/08  
JP D1408461 \* 2/2011

\* cited by examiner

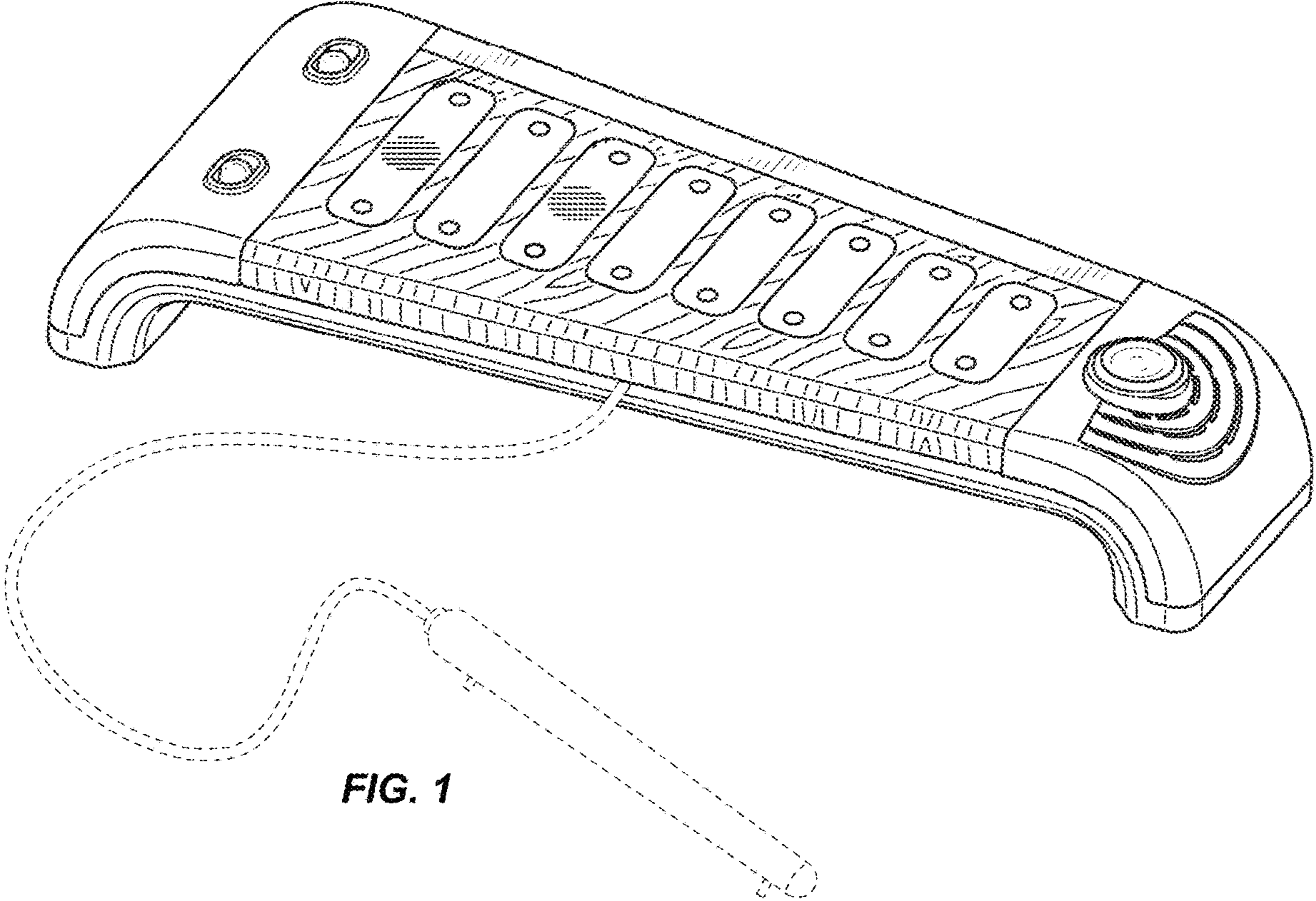


FIG. 1

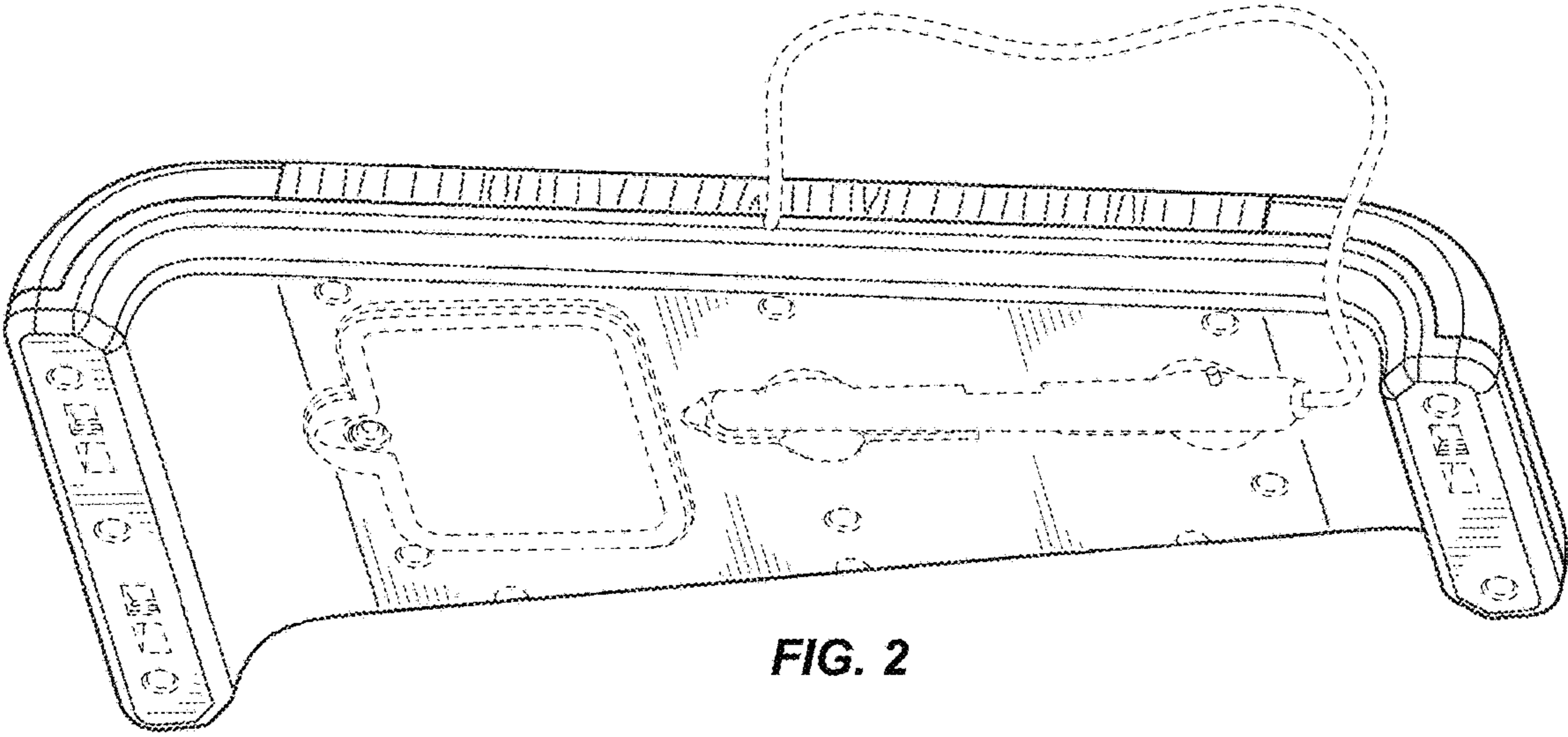


FIG. 2