



US00D907713S

(12) **United States Design Patent** (10) **Patent No.:** **US D907,713 S**
DeMarco et al. (45) **Date of Patent:** **** *Jan. 12, 2021**

(54) **GAMING MACHINE**

CPC G07F 17/32; G07F 17/34; G07F 17/3211;
G07F 17/3244; G07F 17/3267
See application file for complete search history.

(71) Applicant: **ARISTOCRAT TECHNOLOGIES**
AUSTRALIA PTY LIMITED, North
Ryde (AU)

(56)

References Cited

U.S. PATENT DOCUMENTS

(72) Inventors: **Dominic J. DeMarco**, Round Rock, TX
(US); **Bruce Edward Urban**, Las
Vegas, NV (US); **James Franklin**
Stair, Las Vegas, NV (US); **Ariel**
David Turgel, San Francisco, CA (US);
Daniel Harden, Palo Alto, CA (US);
Alexander Abele, Aalen (DE)

D415,124 S	10/1999	Rooyakkers
D428,864 S	8/2000	Rooyakkers
D464,377 S	10/2002	Wurz
D479,243 S	9/2003	Ohashi
D508,719 S	8/2005	de Haas
D513,044 S	12/2005	Morrison
6,997,810 B2	2/2006	Cole
D531,677 S	11/2006	Mallory
D546,893 S	7/2007	Yamashita
D560,724 S	1/2008	Johnson
D560,725 S	1/2008	Johnson
D562,338 S	2/2008	Keohane
D572,314 S	7/2008	Vallejo
D579,456 S	10/2008	Chen
D587,319 S	2/2009	Moises Deiab
D599,858 S	9/2009	Lesley
D599,859 S	9/2009	Lesley
D604,773 S	11/2009	De Viveiros Ortiz
D612,432 S	3/2010	De Viveiros Ortiz
D613,802 S	4/2010	Meyers
D619,177 S	7/2010	Lee
D622,781 S	8/2010	Lesley
D626,182 S	10/2010	Cole
D628,208 S	11/2010	Potemski
D646,337 S	10/2011	Kelly
D652,454 S	1/2012	Yopez
D666,625 S	9/2012	Gilmore
D668,261 S	10/2012	Arnold
D673,620 S	1/2013	Johnson
D673,621 S	* 1/2013	Johnson D21/369
D677,736 S	3/2013	Dorn
D678,956 S	3/2013	Lesley
D679,722 S	4/2013	Ray
D685,033 S	6/2013	Wudtke
D689,899 S	9/2013	Lee
D691,665 S	10/2013	Chudek
D693,841 S	11/2013	Velasco
D695,733 S	12/2013	Damhuis
D697,558 S	1/2014	Myers
D704,273 S	5/2014	Chudek
D706,741 S	6/2014	Myers
D707,646 S	6/2014	Kim
D713,841 S	9/2014	Lim
8,832,598 B2	9/2014	Hirata
D719,616 S	12/2014	Inoue

(73) Assignee: **Aristocrat Technologies Australia Pty**
Ltd., North Ryde (AU)

(*) Notice: This patent is subject to a terminal dis-
claimer.

(**) Term: **15 Years**

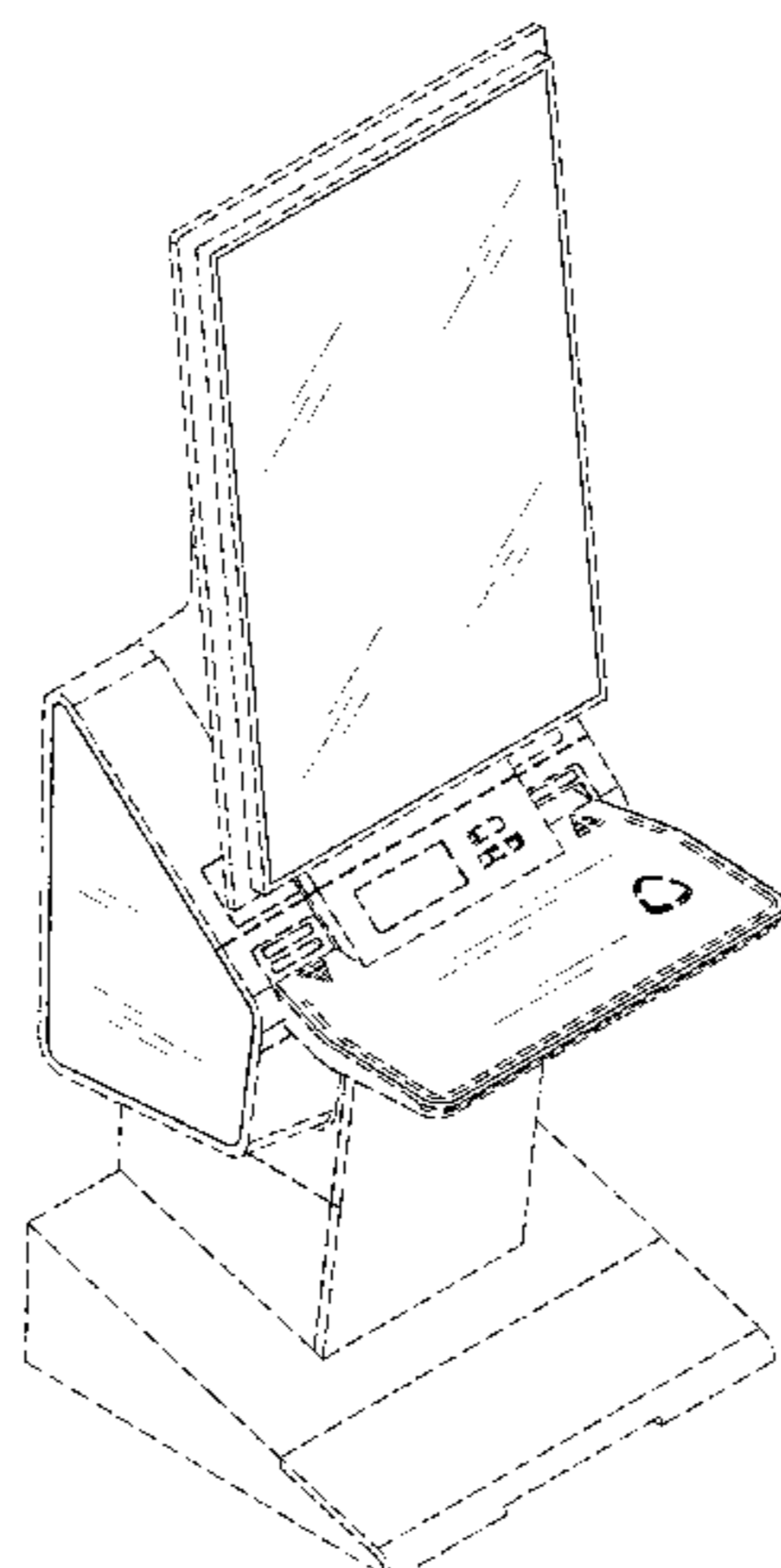
(21) Appl. No.: **29/684,890**

(22) Filed: **Mar. 25, 2019**

(51) **LOC (13) Cl.** **21-03**

(52) **U.S. Cl.**
USPC **D21/369**

(58) **Field of Classification Search**
USPC D21/369, 370, 371, 385, 329, 325, 394;
D14/307, 172, 129, 325, 401, 371, 126,
D14/439, 432, 450, 128, 375, 248, 374,
D14/341, 138 G, 127; 463/28, 13, 11,
463/16, 20, 25, 31, 46, 23, 30, 17, 36, 29,
463/42, 34, 32, 35, 19, 21, 22; 273/292,
273/203, 138.2, 143 R, 142 R, 138.1;
D19/60; D16/226; D8/335, 331, 334;
D26/141; D7/641



US D907,713 S

Page 2

D723,626 S * 3/2015 Vasquez D21/370
D727,431 S 4/2015 Themann
D728,585 S 5/2015 Lee
D730,993 S 6/2015 Castro
D732,520 S 6/2015 Themann
D734,733 S 7/2015 Park
D736,171 S 8/2015 Lee
D740,887 S 10/2015 Randazzo
D740,888 S 10/2015 DePalma
D742,974 S 11/2015 Lesley
D749,342 S 2/2016 Escandon
D759,096 S 6/2016 Seo
D760,275 S 6/2016 Zhang
D765,136 S 8/2016 Lee
RE46,169 E 10/2016 Kelly
D772,240 S 11/2016 Edstrom
D772,273 S 11/2016 Spector
D773,512 S 12/2016 Miura
D780,852 S 3/2017 Sharp
D785,664 S 5/2017 Yao
D790,563 S 6/2017 Lam
9,679,435 B2 6/2017 Schrementi
9,704,337 B2* 7/2017 Riggs G07F 17/3258
D794,661 S 8/2017 Nishizawa
D794,664 S 8/2017 Okabe
D801,435 S 10/2017 Themann
D803,323 S 11/2017 Bussey
D803,324 S 11/2017 Bussey
D809,068 S 1/2018 Ballman
D809,069 S 1/2018 Ballman
D812,146 S 3/2018 Castro
D812,147 S 3/2018 Castro
D812,148 S 3/2018 Castro
D812,149 S 3/2018 Castro
D814,455 S 4/2018 Kwon
D816,079 S 4/2018 Yamazaki
D818,048 S 5/2018 Calhoun
D819,747 S 6/2018 Castro
D820,915 S 6/2018 Lee
D826,338 S * 8/2018 Bussey D21/369
D832,356 S 10/2018 Castro
D833,534 S 11/2018 Lee
D834,652 S * 11/2018 Lee D21/369
10,127,761 B2 11/2018 Woels
10,181,236 B2 1/2019 Goldstein
D843,458 S 3/2019 Castro
D843,467 S 3/2019 Johnson
D843,468 S 3/2019 Johnson
D843,473 S 3/2019 Zedell, Jr.
D843,474 S 3/2019 Lesley
D843,475 S 3/2019 Lesley
D843,476 S 3/2019 Lesley
D843,477 S 3/2019 Lesley
D843,478 S 3/2019 Lesley
D843,479 S 3/2019 Castro
D843,480 S 3/2019 Castro
D843,482 S 3/2019 Holland
D844,062 S 3/2019 Lesley
D846,650 S 4/2019 Stair
D847,905 S * 5/2019 Lewis D21/369
D849,149 S * 5/2019 Bussey D21/369
D849,150 S * 5/2019 Gallagher D21/369
D850,536 S 6/2019 Stair
D850,537 S 6/2019 Urban
D854,621 S 7/2019 Calhoun
D858,641 S 9/2019 Legras
D858,642 S 9/2019 Legras
D859,347 S 9/2019 Kwon
D862,602 S 10/2019 Kariya
D865,066 S 10/2019 Ortiz De Viveiros
D865,873 S 11/2019 Lewis
D866,666 S * 11/2019 Ditton D21/369
D866,667 S 11/2019 Stair
D866,668 S * 11/2019 Ditton D21/369
D868,165 S 11/2019 Ortiz De Viveiros
D870,818 S 12/2019 Curbun
D870,820 S 12/2019 Urban
D871,506 S 12/2019 Castro
D871,507 S 12/2019 Urban

D872,190 S 1/2020 Zedell, Jr.
D875,091 S 2/2020 Kwon
10,580,252 B2 3/2020 Whelan
D880,605 S * 4/2020 Bussey D21/369
D880,606 S 4/2020 Glenn, II
D880,608 S 4/2020 Glenn, II
D880,610 S 4/2020 Glenn, II
D880,611 S 4/2020 Glenn, II
D880,612 S 4/2020 Bernard
D880,613 S 4/2020 Bernard
D880,614 S 4/2020 Bernard
D880,615 S 4/2020 Bernard
D881,284 S 4/2020 Glenn
D881,285 S 4/2020 Glenn
D882,697 S 4/2020 Lesley
2013/0084948 A1* 4/2013 Watkins G07F 17/3276
463/23
2014/0335934 A1 11/2014 Meyer
2015/0018070 A1 1/2015 Meyer
2015/0036073 A1 2/2015 Im
2016/0093143 A1 3/2016 Lamb
2016/0195938 A1 7/2016 Kim
2017/0039802 A1 2/2017 Prabhu
2017/0046906 A1 2/2017 Hilbert
2017/0092052 A1 3/2017 McKay
2017/0301177 A1 10/2017 Pawloski
2018/0075689 A1 3/2018 Castro
2018/0078847 A1 3/2018 Sorreta
2018/0078854 A1 3/2018 Achmueller
2018/0082523 A1* 3/2018 Palermo G07F 17/3216
2019/0012874 A1 1/2019 Goldstein
2019/0046872 A1 2/2019 Glenn, II
2019/0096161 A1 3/2019 Barbour
2019/0096170 A1 3/2019 Lewis
2019/0096173 A1 3/2019 Brandau
2019/0102971 A1 4/2019 Schoonmaker
2019/0102974 A1* 4/2019 Bussey G07F 17/3211
2019/0102984 A1* 4/2019 Gallagher G07F 17/3216
2019/0287337 A1 9/2019 Shiraishi
2020/0111291 A1 4/2020 Pariseau
2020/0111295 A1 4/2020 Glenn
2020/0111296 A1 4/2020 Miura
2020/0111297 A1* 4/2020 Kazama G07F 17/3213
2020/0111328 A1 4/2020 Bland

OTHER PUBLICATIONS

Office Action dated Jun. 1, 2020 for U.S. Appl. No. 29/684,808 (pp. 1-9).
Office Action dated Jun. 1, 2020 for U.S. Appl. No. 29/684,812 (pp. 1-9).
Office Action dated Jun. 1, 2020 for U.S. Appl. No. 29/684,832 (pp. 1-9).
Office Action dated Jun. 1, 2020 for U.S. Appl. No. 29/684,836 (pp. 1-9).
Office Action dated Jun. 1, 2020 for U.S. Appl. No. 29/684,844 (pp. 1-9).
Office Action dated Jun. 1, 2020 for U.S. Appl. No. 29/684,849 (pp. 1-9).
Office Action dated Jun. 5, 2020 for U.S. Appl. No. 29/684,847 (pp. 1-9).
Office Action dated Jun. 12, 2020 for U.S. Appl. No. 29/684,810 (pp. 1-10).
Office Action dated Jun. 12, 2020 for U.S. Appl. No. 29/684,814 (pp. 1-10).
Office Action dated Jun. 12, 2020 for U.S. Appl. No. 29/684,817 (pp. 1-11).
Office Action dated Jun. 12, 2020 for U.S. Appl. No. 29/684,838 (pp. 1-11).
Office Action dated Jun. 12, 2020 for U.S. Appl. No. 29/684,842 (pp. 1-11).
Office Action dated Jun. 12, 2020 for U.S. Appl. No. 29/684,883 (pp. 1-8).
Office Action dated Jun. 12, 2020 for U.S. Appl. No. 29/684,891 (pp. 1-9).

Office Action dated Jun. 12, 2020 for U.S. Appl. No. 29/684,894 (pp. 1-10).
Office Action dated Jun. 12, 2020 for U.S. Appl. No. 29/684,899 (pp. 1-9).
Office Action dated Jun. 12, 2020 for U.S. Appl. No. 29/684,915 (pp. 1-10).
Office Action dated Jun. 12, 2020 for U.S. Appl. No. 29/684,922 (pp. 1-10).
Office Action dated Jun. 12, 2020 for U.S. Appl. No. 29/684,925 (pp. 1-10).
Office Action dated Jun. 12, 2020 for U.S. Appl. No. 29/684,929 (pp. 1-10).
Office Action dated Jun. 12, 2020 for U.S. Appl. No. 29/684,934 (pp. 1-10).
Office Action dated Jun. 12, 2020 for U.S. Appl. No. 29/684,936 (pp. 1-10).
Office Action dated Jun. 12, 2020 for U.S. Appl. No. 29/684,941 (pp. 1-12).
Office Action dated Jul. 10, 2020 for U.S. Appl. No. 29/684,900 (pp. 1-10).
Office Action dated Jul. 10, 2020 for U.S. Appl. No. 29/684,938 (pp. 1-13).
Notice of Allowance dated Aug. 5, 2020 for U.S. Appl. No. 29/678,496 (pp. 1-7).
Office Action dated Jun. 1, 2020 for U.S. Appl. No. 29/684,806 (pp. 1-9).
Office Action dated Jun. 1, 2020 for U.S. Appl. No. 29/684,807 (pp. 1-8).
Office Action dated Jun. 1, 2020 for U.S. Appl. No. 29/684,809 (pp. 1-7).
Office Action dated Jun. 1, 2020 for U.S. Appl. No. 29/684,811 (pp. 1-7).
Office Action dated Jun. 12, 2020 for U.S. Appl. No. 29/684,912 (pp. 1-10).

Corrected Notice of Allowability dated Aug. 17, 2020 for U.S. Appl. No. 29/678,496 (pp. 1-4).

* cited by examiner

Primary Examiner — Ryan Harvey
(74) *Attorney, Agent, or Firm* — Armstrong Teasdale LLP

(57) **CLAIM**

We claim the ornamental design for a gaming machine, as shown and described.

DESCRIPTION

FIG. 1 is a front perspective view of a gaming machine showing our new design;
FIG. 2 is a front view of the gaming machine shown in FIG. 1;
FIG. 3 is a back view of the gaming machine shown in FIG. 1;
FIG. 4 is a right side view of the gaming machine shown in FIG. 1;
FIG. 5 is a left side view of the gaming machine shown in FIG. 1;
FIG. 6 is a top view of the gaming machine shown in FIG. 1; and,
FIG. 7 is a bottom view of the gaming machine shown in FIG. 1.
The broken line showing of portions of the gaming machine depicts environment and forms no part of the claimed design.

1 Claim, 7 Drawing Sheets

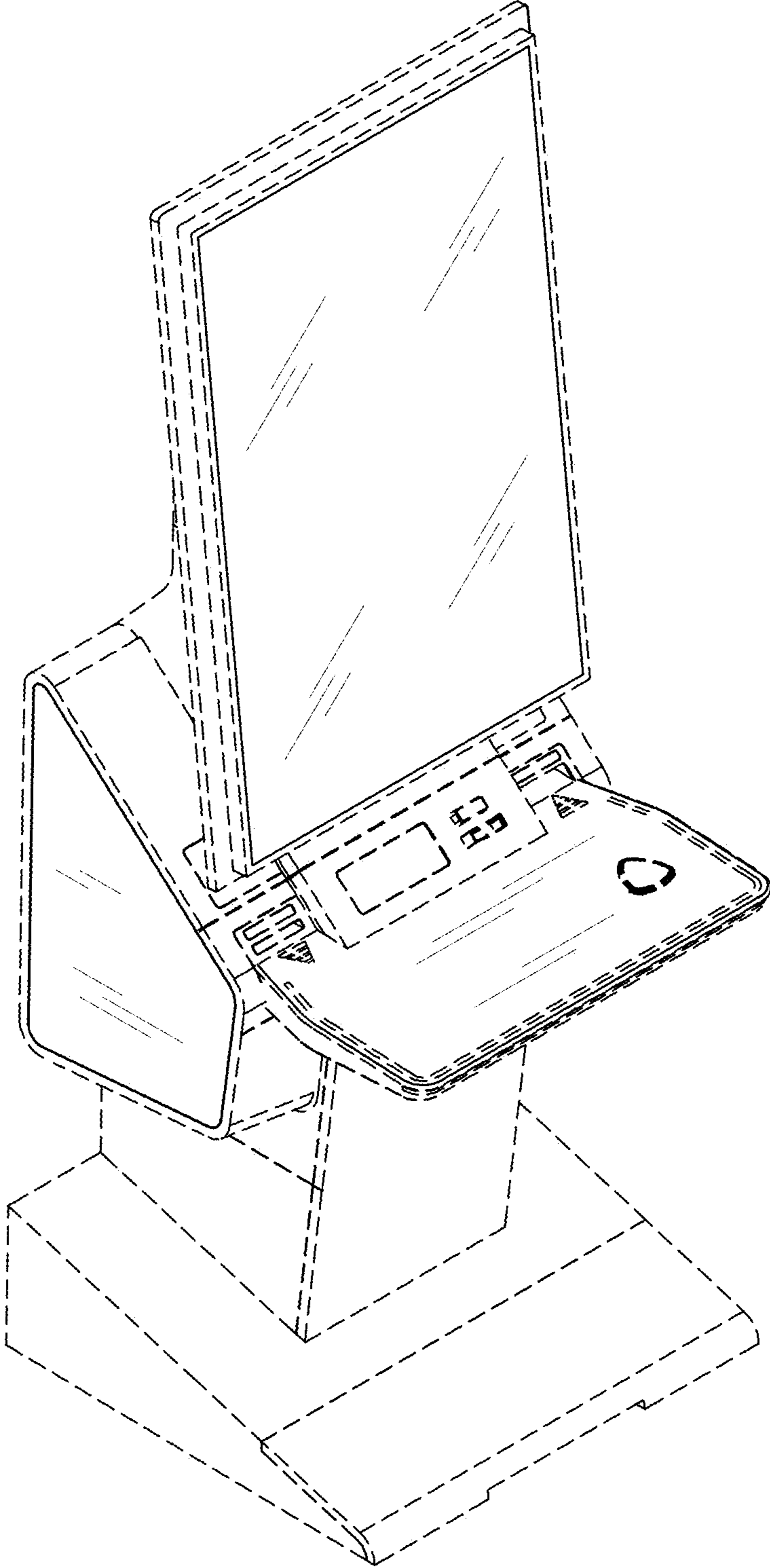


FIG. 1

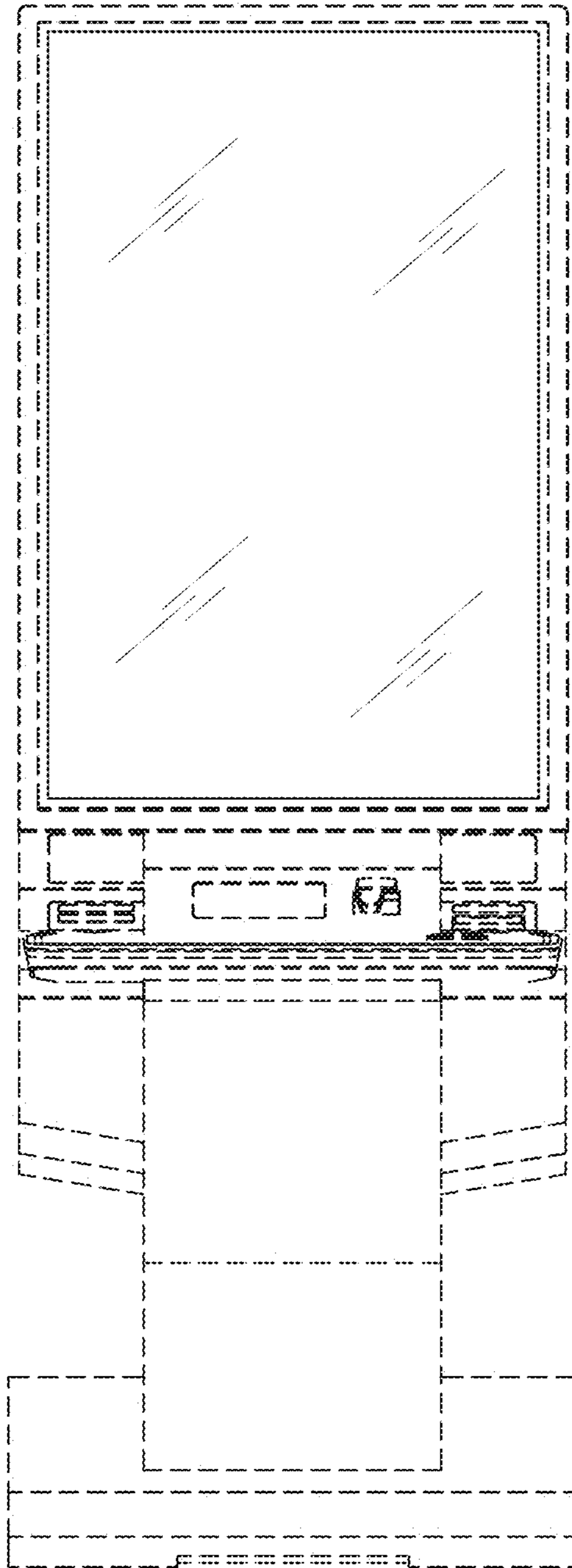


FIG. 2

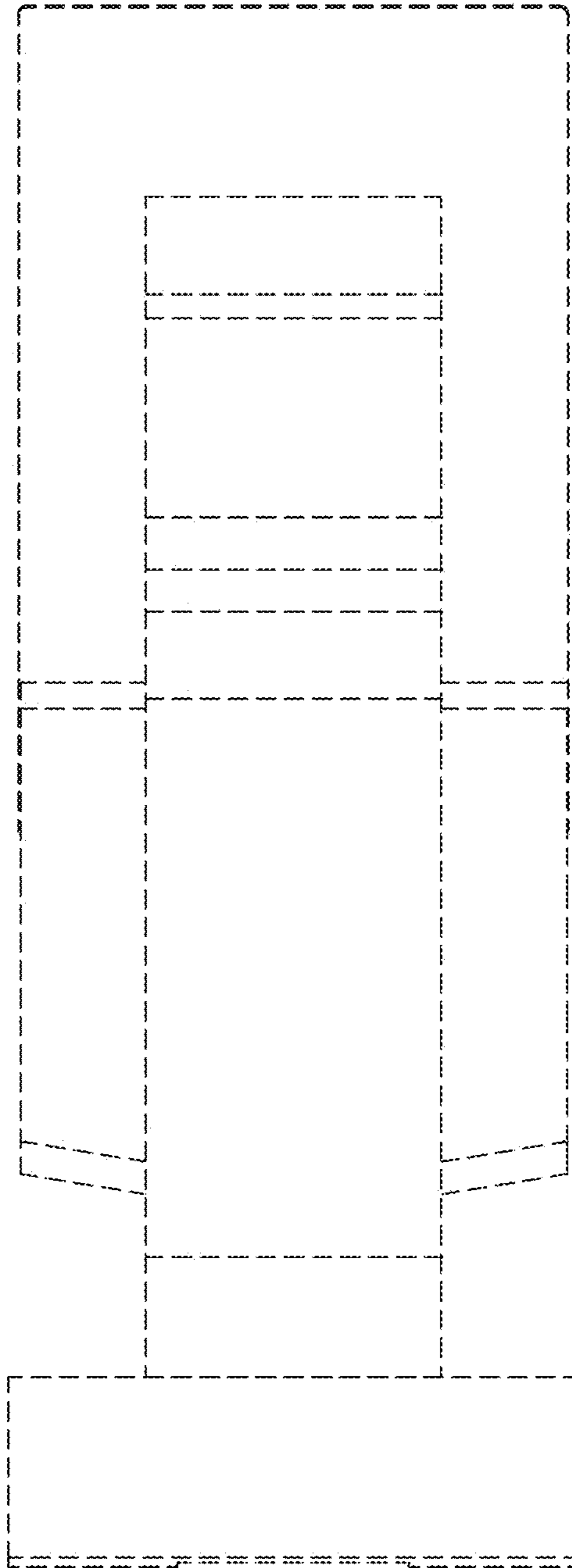


FIG. 3

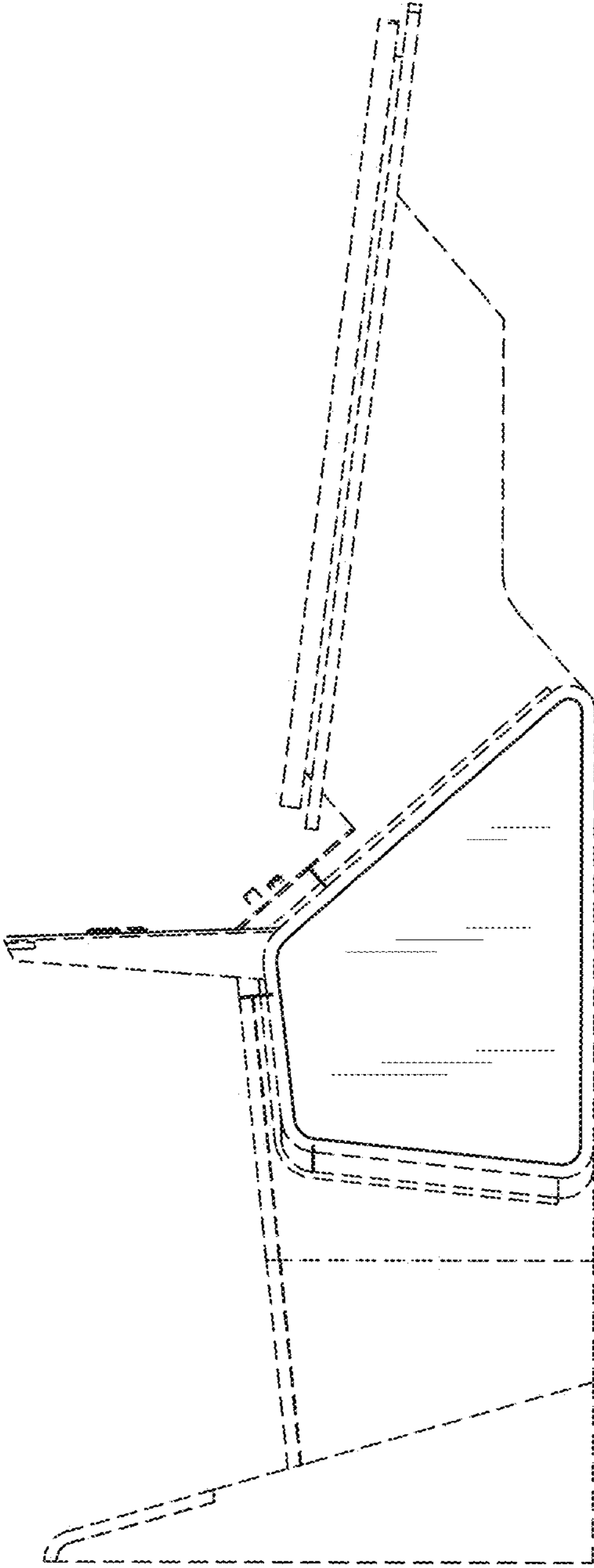


FIG. 4

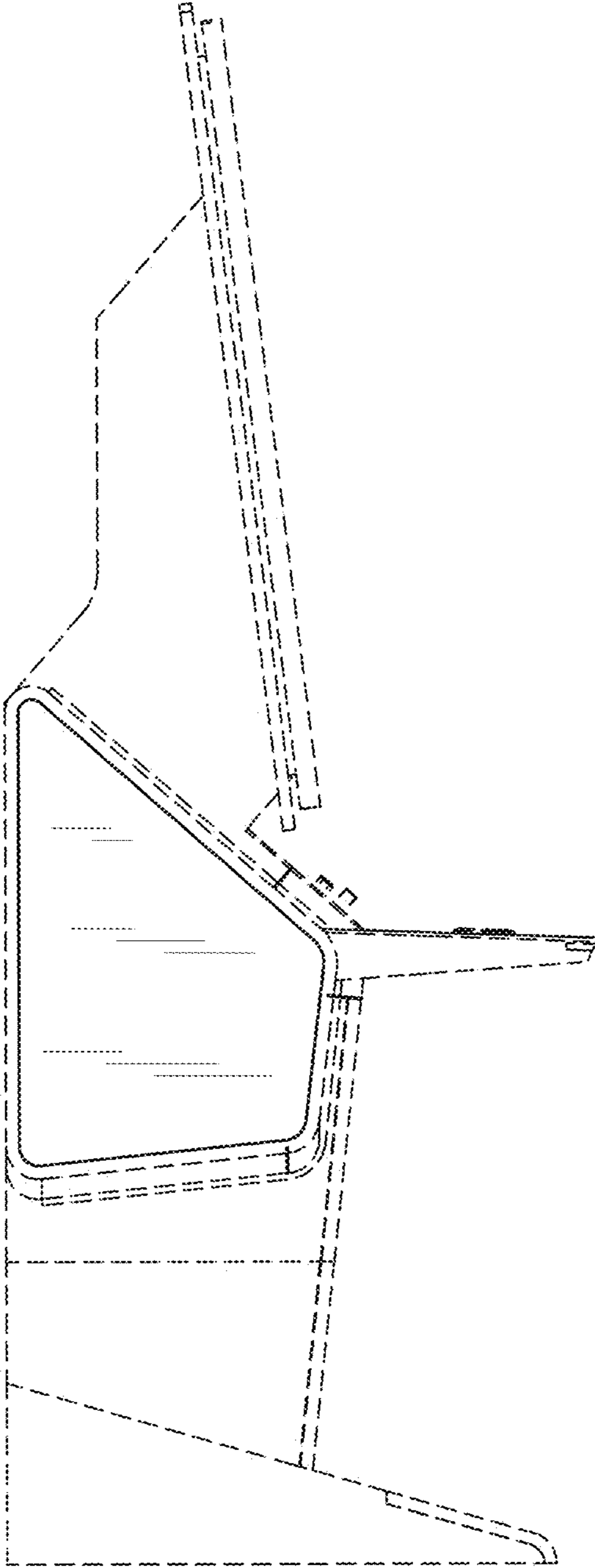


FIG. 5

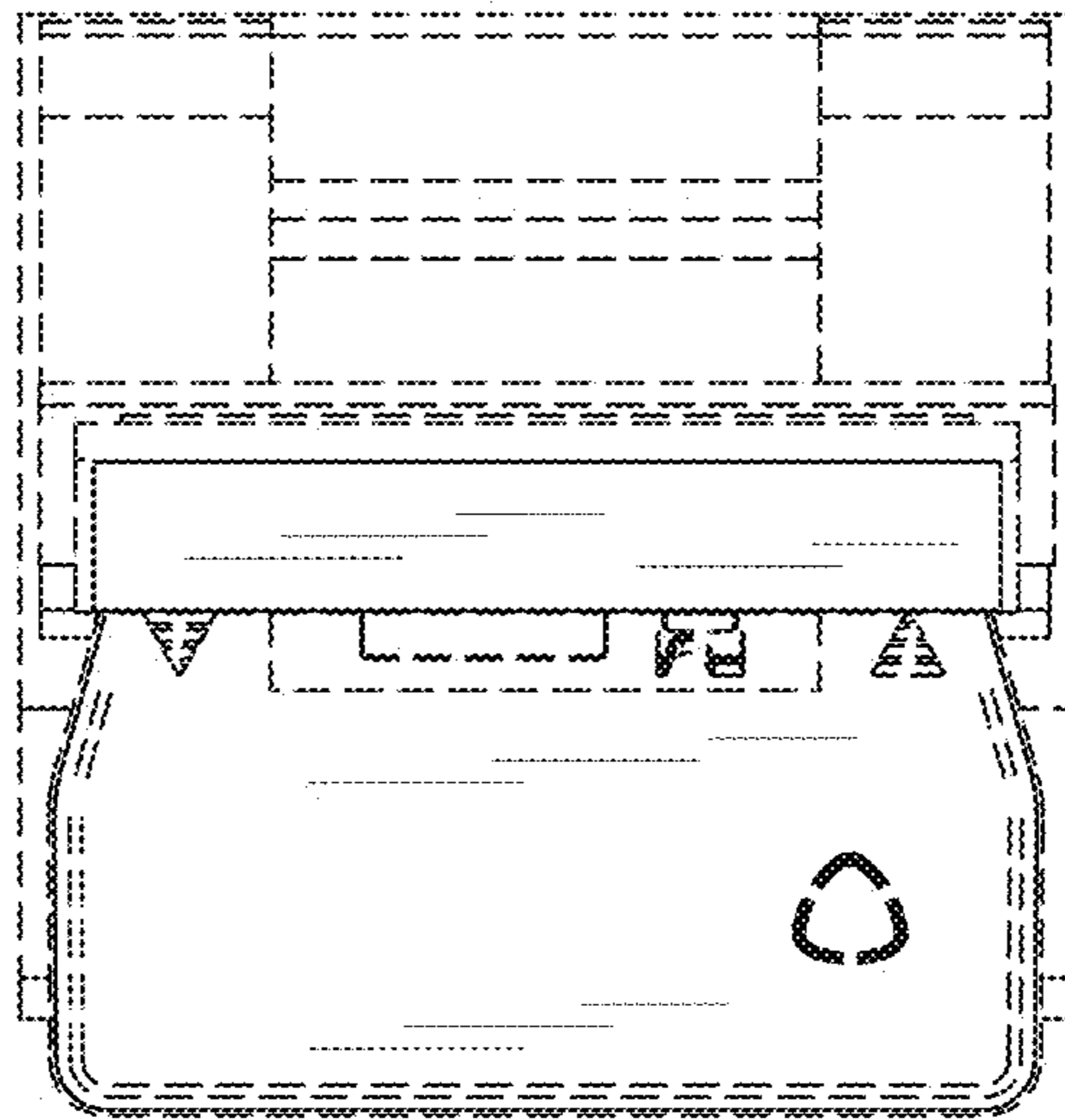


FIG. 6

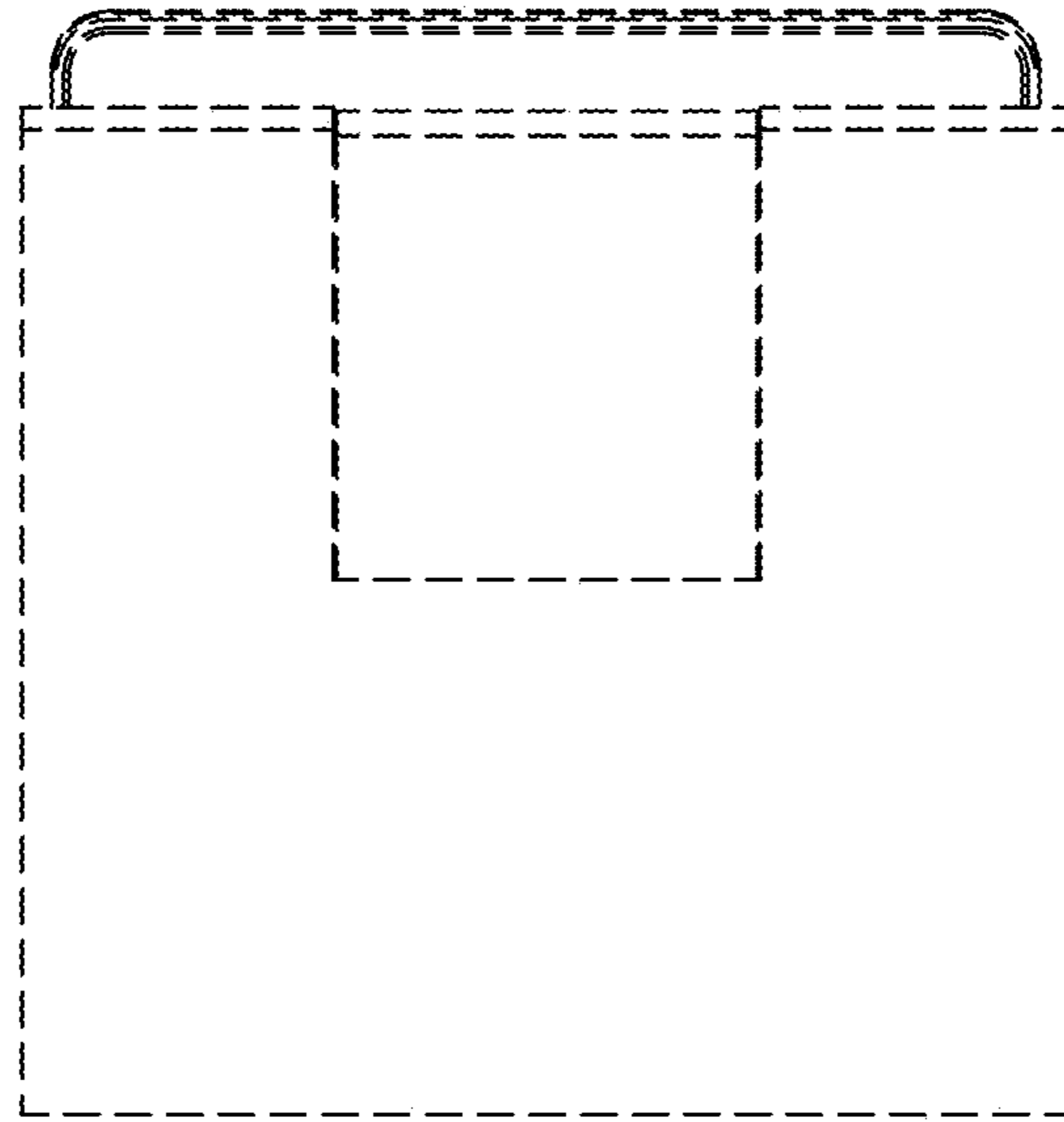


FIG. 7