



US00D907707S

(12) **United States Design Patent** (10) **Patent No.:** **US D907,707 S**
DeMarco et al. (45) **Date of Patent:** **** *Jan. 12, 2021**

(54) **GAMING MACHINE**

(71) Applicant: **ARISTOCRAT TECHNOLOGIES AUSTRALIA PTY LIMITED**, North Ryde (AU)

(72) Inventors: **Dominic J. DeMarco**, Round Rock, TX (US); **Bruce Edward Urban**, Las Vegas, NV (US); **James Franklin Stair**, Las Vegas, NV (US); **Daniel Harden**, Palo Alto, CA (US); **Cheng-Fu Hsieh**, Palo Alto, CA (US)

(73) Assignee: **Aristocrat Technologies Australia Pty Limited**, North Ryde (AU)

(*) Notice: This patent is subject to a terminal disclaimer.

(**) Term: **15 Years**

(21) Appl. No.: **29/684,806**

(22) Filed: **Mar. 25, 2019**

(51) **LOC (13) Cl.** **21-03**

(52) **U.S. Cl.**
USPC **D21/369**

(58) **Field of Classification Search**
USPC D21/369, 370, 371, 385, 329, 325, 394; D14/307, 172, 129, 325, 401, 371, 126, D14/439, 432, 450, 128, 375, 248, 374, D14/341, 138 G, 127; 463/28, 13, 11, 463/16, 20, 25, 31, 46, 23, 30, 17, 36, 29, 463/42, 34, 32, 35, 19, 21, 22; 273/292, 273/203, 138.2, 143 R, 142 R, 138.1; D19/60; D16/226; D8/335, 331, 334; D26/141; D7/641

(Continued)

(56) **References Cited**

U.S. PATENT DOCUMENTS

D415,124 S 10/1999 Rooyakkers
D428,864 S 8/2000 Rooyakkers

(Continued)

OTHER PUBLICATIONS

Office Action dated Jun. 1, 2020 for U.S. Appl. No. 29/684,807 (pp. 1-8).

(Continued)

Primary Examiner — Ryan Harvey

(74) *Attorney, Agent, or Firm* — Armstrong Teasdale LLP

(57) **CLAIM**

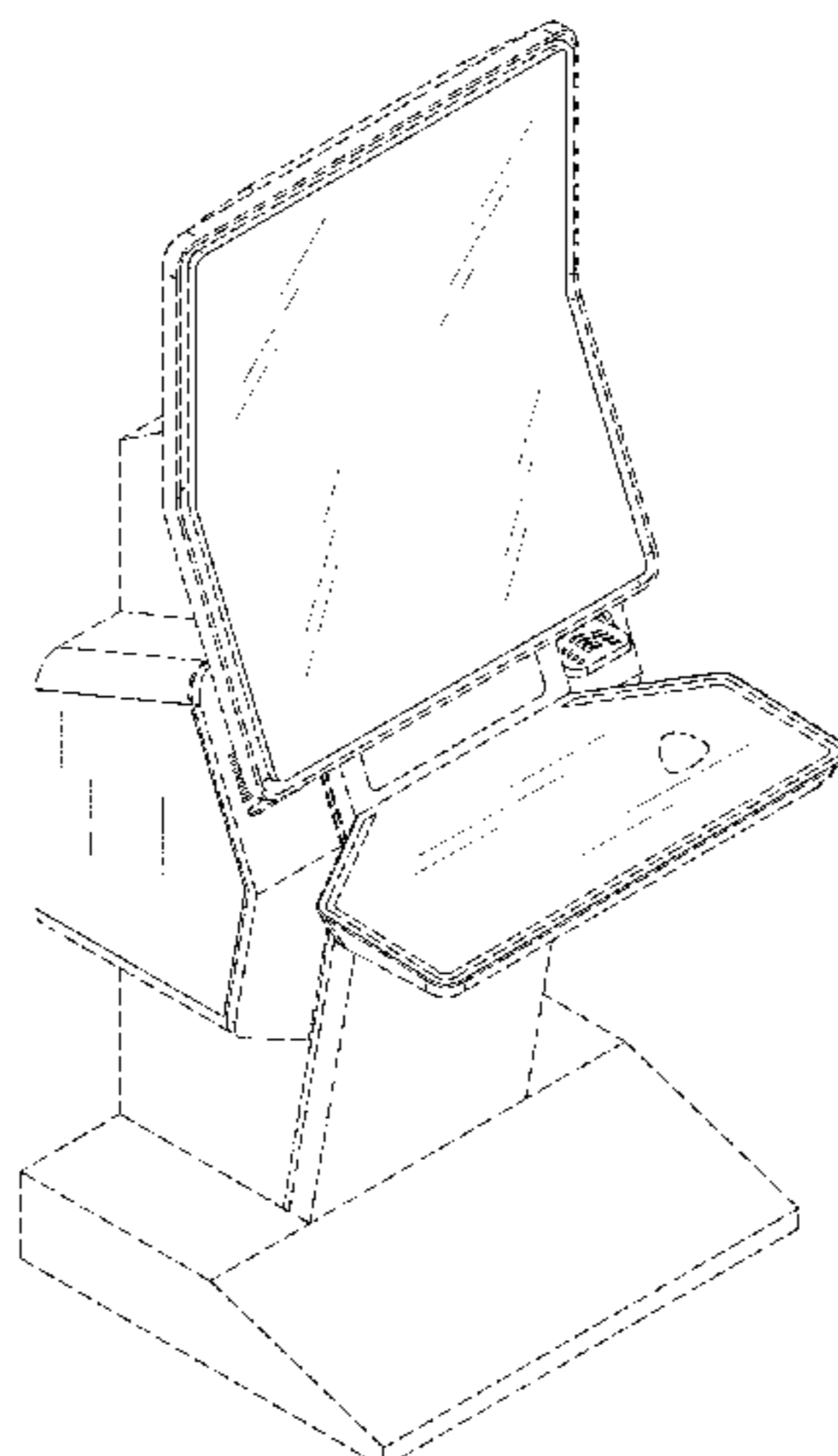
We claim the ornamental design for a gaming machine, as shown and described.

DESCRIPTION

FIG. 1 is a front perspective view of a gaming machine showing our new design;
 FIG. 2 is a front view of the gaming machine shown in FIG. 1;
 FIG. 3 is a back view of the gaming machine shown in FIG. 1;
 FIG. 4 is a right side view of the gaming machine shown in FIG. 1;
 FIG. 5 is a left side view of the gaming machine shown in FIG. 1;
 FIG. 6 is a top view of the gaming machine shown in FIG. 1;
 FIG. 7 is a bottom view of the gaming machine shown in FIG. 1;
 FIG. 8 is a front perspective view of a gaming machine showing an alternative embodiment of our new design; and,
 FIG. 9 is a front view of the gaming machine shown in FIG. 8.

The broken line showing of portions of the gaming machine depicts environment and forms no part of the claimed design.

1 Claim, 9 Drawing Sheets



(56)

References Cited

U.S. PATENT DOCUMENTS

2017/0301177	A1 *	10/2017	Pawloski	G07F 17/3244
2018/0075689	A1	3/2018	Castro	
2018/0078847	A1	3/2018	Sorreta	
2018/0078854	A1	3/2018	Achmueller	
2018/0082523	A1	3/2018	Palermo	
2019/0012874	A1	1/2019	Goldstein	
2019/0046872	A1 *	2/2019	Glenn, II	G07F 17/32
2019/0096161	A1	3/2019	Barbour	
2019/0096170	A1	3/2019	Lewis	
2019/0096173	A1	3/2019	Brandau	
2019/0102971	A1	4/2019	Schoonmaker	
2019/0102974	A1	4/2019	Bussey	
2019/0102984	A1	4/2019	Gallagher	
2019/0287337	A1	9/2019	Shiraishi	
2020/0111291	A1	4/2020	Pariseau	
2020/0111295	A1	4/2020	Glenn	
2020/0111296	A1	4/2020	Miura	
2020/0111297	A1	4/2020	Kazama	
2020/0111328	A1	4/2020	Bland	

OTHER PUBLICATIONS

Office Action dated Jun. 1, 2020 for U.S. Appl. No. 29/684,808 (pp. 1-9).
 Office Action dated Jun. 1, 2020 for U.S. Appl. No. 29/684,812 (pp. 1-9).
 Office Action dated Jun. 1, 2020 for U.S. Appl. No. 29/684,832 (pp. 1-9).
 Office Action dated Jun. 1, 2020 for U.S. Appl. No. 29/684,836 (pp. 1-9).
 Office Action dated Jun. 1, 2020 for U.S. Appl. No. 29/684,844 (pp. 1-9).
 Office Action dated Jun. 1, 2020 for U.S. Appl. No. 29/684,849 (pp. 1-9).
 Office Action dated Jun. 5, 2020 for U.S. Appl. No. 29/684,847 (pp. 1-9).
 Office Action dated Jun. 12, 2020 for U.S. Appl. No. 29/684,810 (pp. 1-10).
 Office Action dated Jun. 12, 2020 for U.S. Appl. No. 29/684,814 (pp. 1-10).
 Office Action dated Jun. 12, 2020 for U.S. Appl. No. 29/684,817 (pp. 1-11).

Office Action dated Jun. 12, 2020 for U.S. Appl. No. 29/684,838 (pp. 1-11).
 Office Action dated Jun. 12, 2020 for U.S. Appl. No. 29/684,842 (pp. 1-11).
 Office Action dated Jun. 12, 2020 for U.S. Appl. No. 29/684,883 (pp. 1-8).
 Office Action dated Jun. 12, 2020 for U.S. Appl. No. 29/684,890 (pp. 1-9).
 Office Action dated Jun. 12, 2020 for U.S. Appl. No. 29/684,891 (pp. 1-9).
 Office Action dated Jun. 12, 2020 for U.S. Appl. No. 29/684,894 (pp. 1-10).
 Office Action dated Jun. 12, 2020 for U.S. Appl. No. 29/684,899 (pp. 1-9).
 Office Action dated Jun. 12, 2020 for U.S. Appl. No. 29/684,915 (pp. 1-10).
 Office Action dated Jun. 12, 2020 for U.S. Appl. No. 29/684,922 (pp. 1-10).
 Office Action dated Jun. 12, 2020 for U.S. Appl. No. 29/684,925 (pp. 1-10).
 Office Action dated Jun. 12, 2020 for U.S. Appl. No. 29/684,929 (pp. 1-10).
 Office Action dated Jun. 12, 2020 for U.S. Appl. No. 29/684,934 (pp. 1-10).
 Office Action dated Jun. 12, 2020 for U.S. Appl. No. 29/684,936 (pp. 1-10).
 Office Action dated Jun. 12, 2020 for U.S. Appl. No. 29/684,941 (pp. 1-12).
 Office Action dated Jul. 10, 2020 for U.S. Appl. No. 29/684,900 (pp. 1-10).
 Office Action dated Jul. 10, 2020 for U.S. Appl. No. 29/684,938 (pp. 1-13).
 Notice of Allowance dated Aug. 5, 2020 for U.S. Appl. No. 29/678,496 (pp. 1-7).
 Office Action dated Jun. 1, 2020 for U.S. Appl. No. 29/684,809 (pp. 1-7).
 Office Action dated Jun. 1, 2020 for U.S. Appl. No. 29/684,811 (pp. 1-7).
 Office Action dated Jun. 12, 2020 for U.S. Appl. No. 29/684,912 (pp. 1-10).
 Corrected Notice of Allowability dated Aug. 17, 2020 for U.S. App. No. 29/678,496 (pp. 1-4).

* cited by examiner

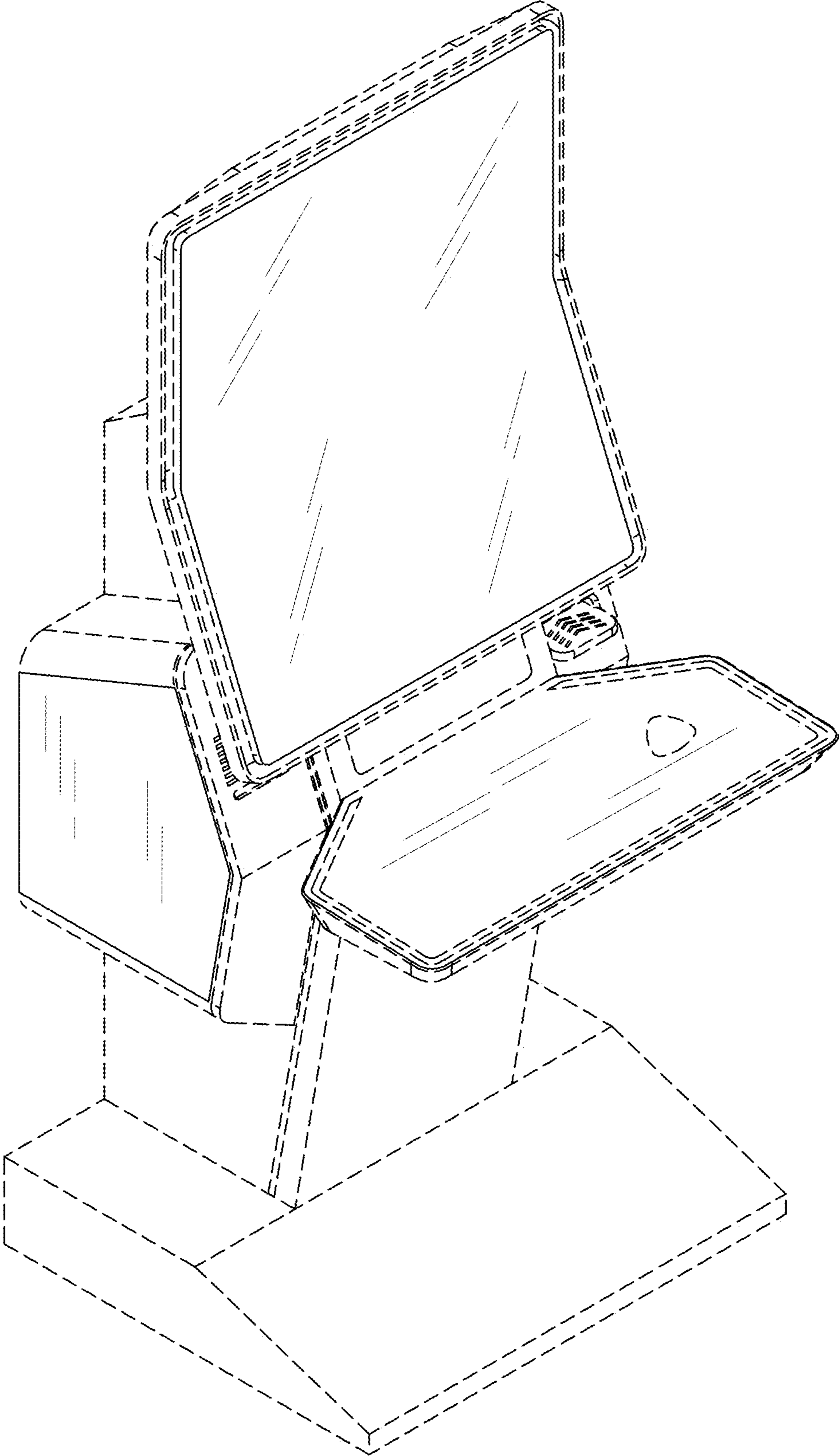


FIG. 1

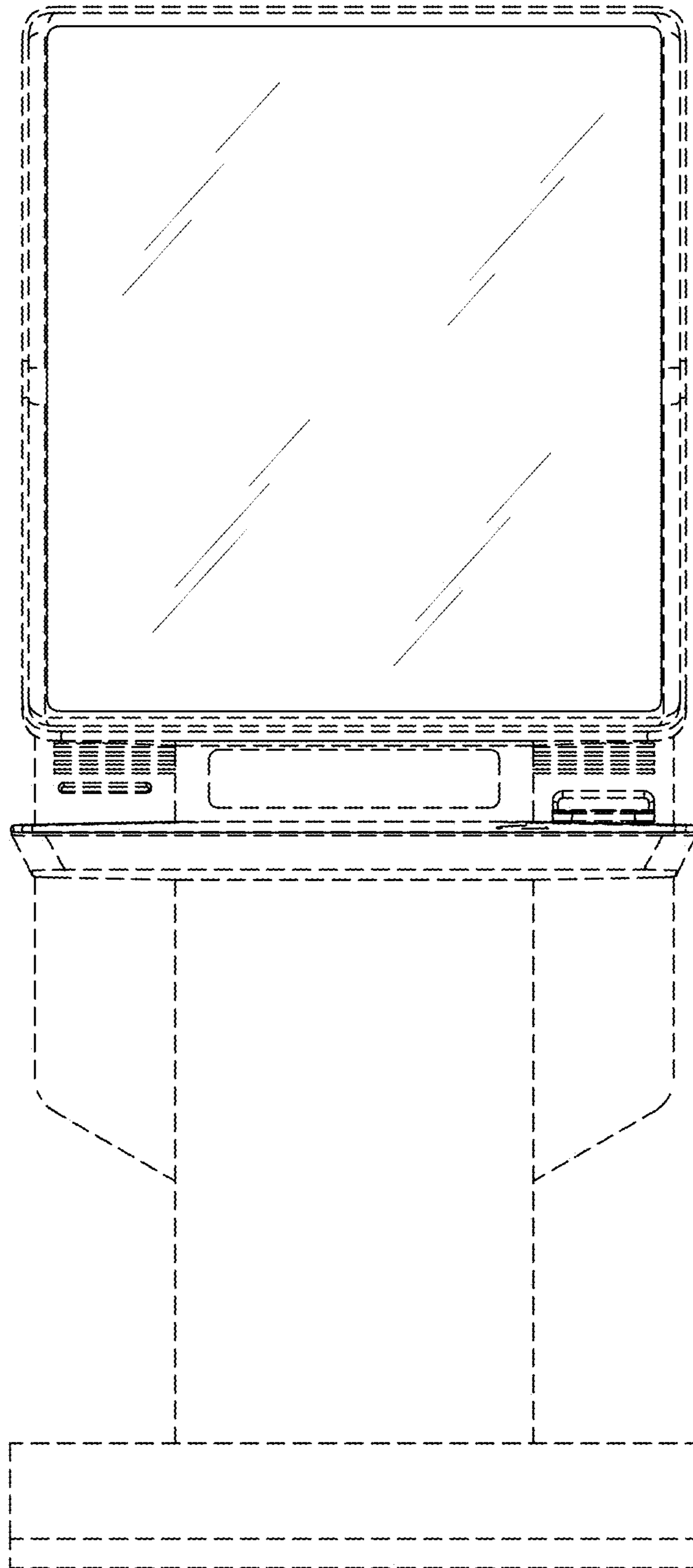


FIG. 2

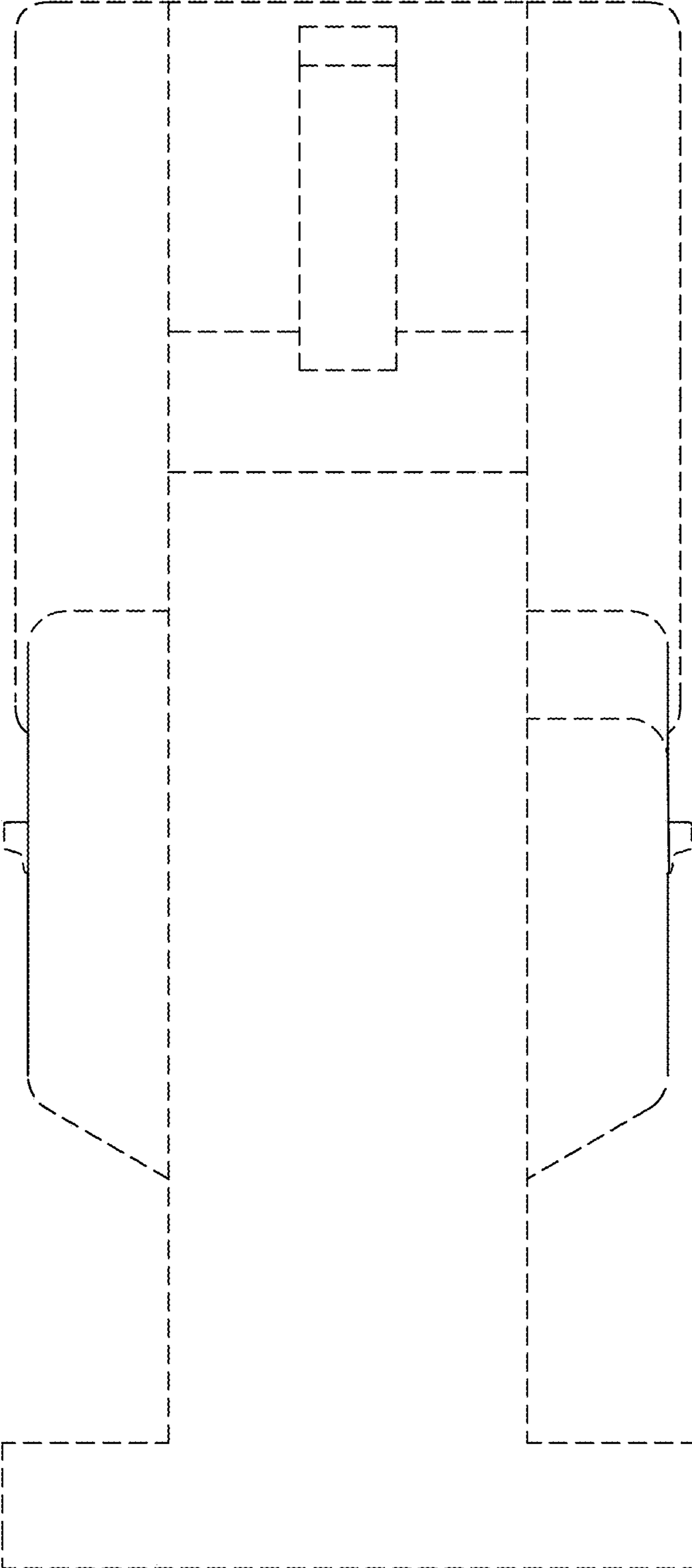


FIG. 3

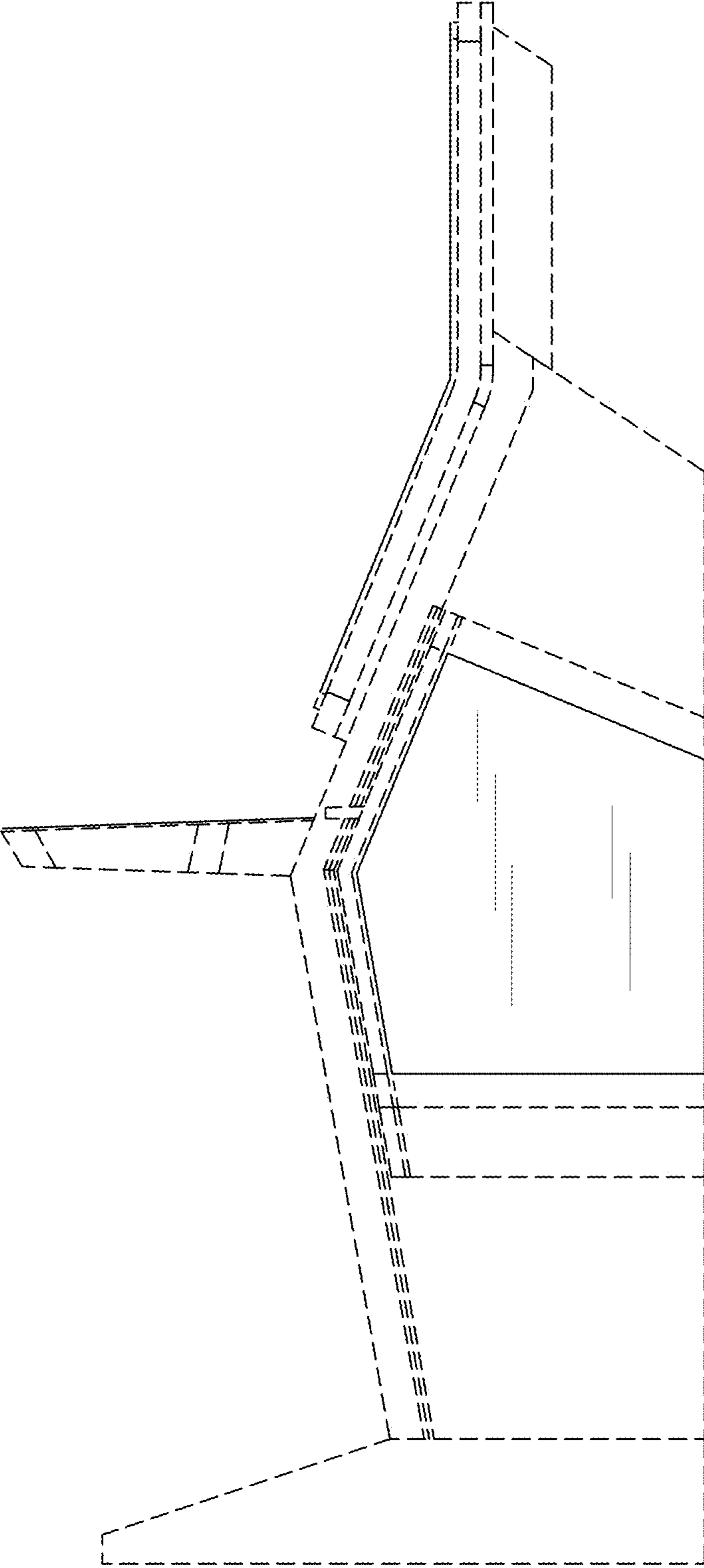


FIG. 4

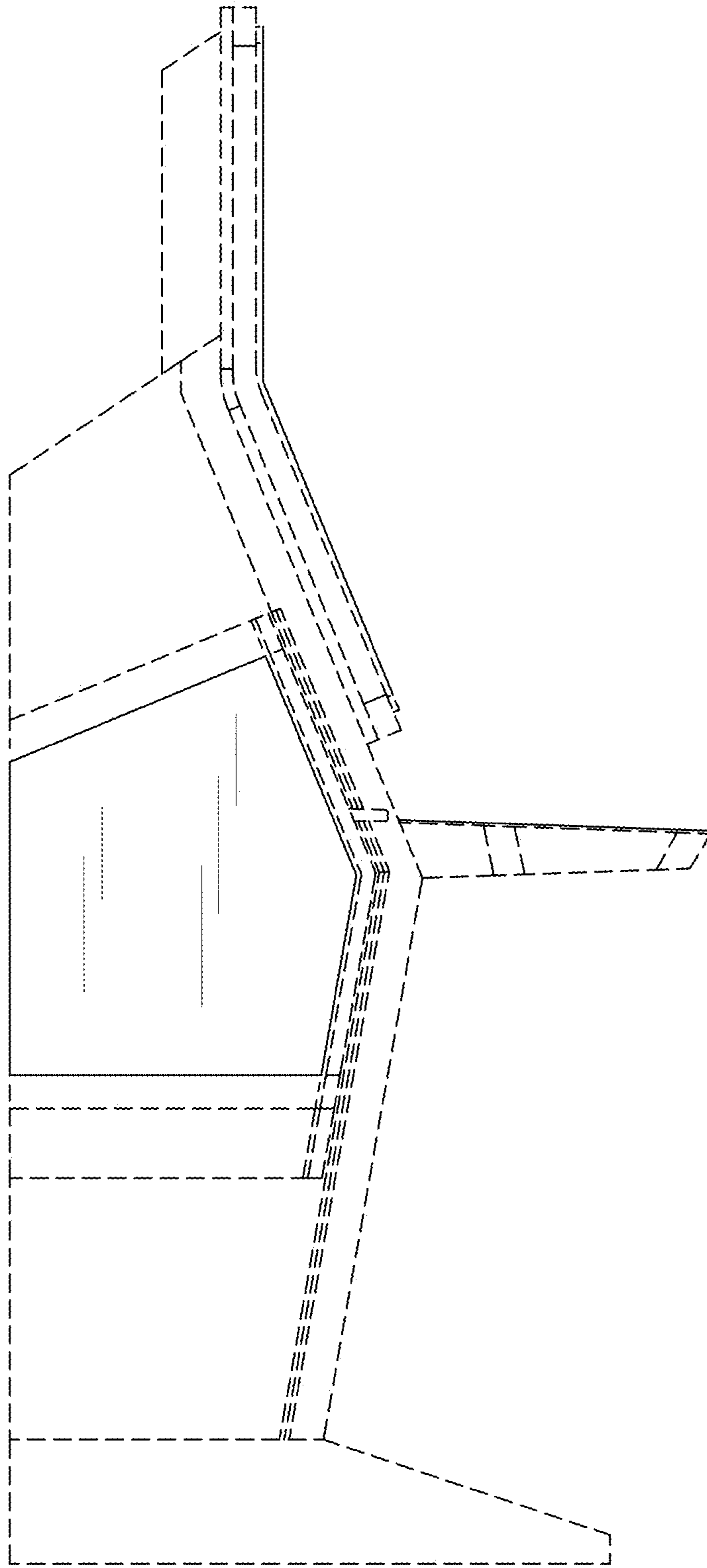


FIG. 5

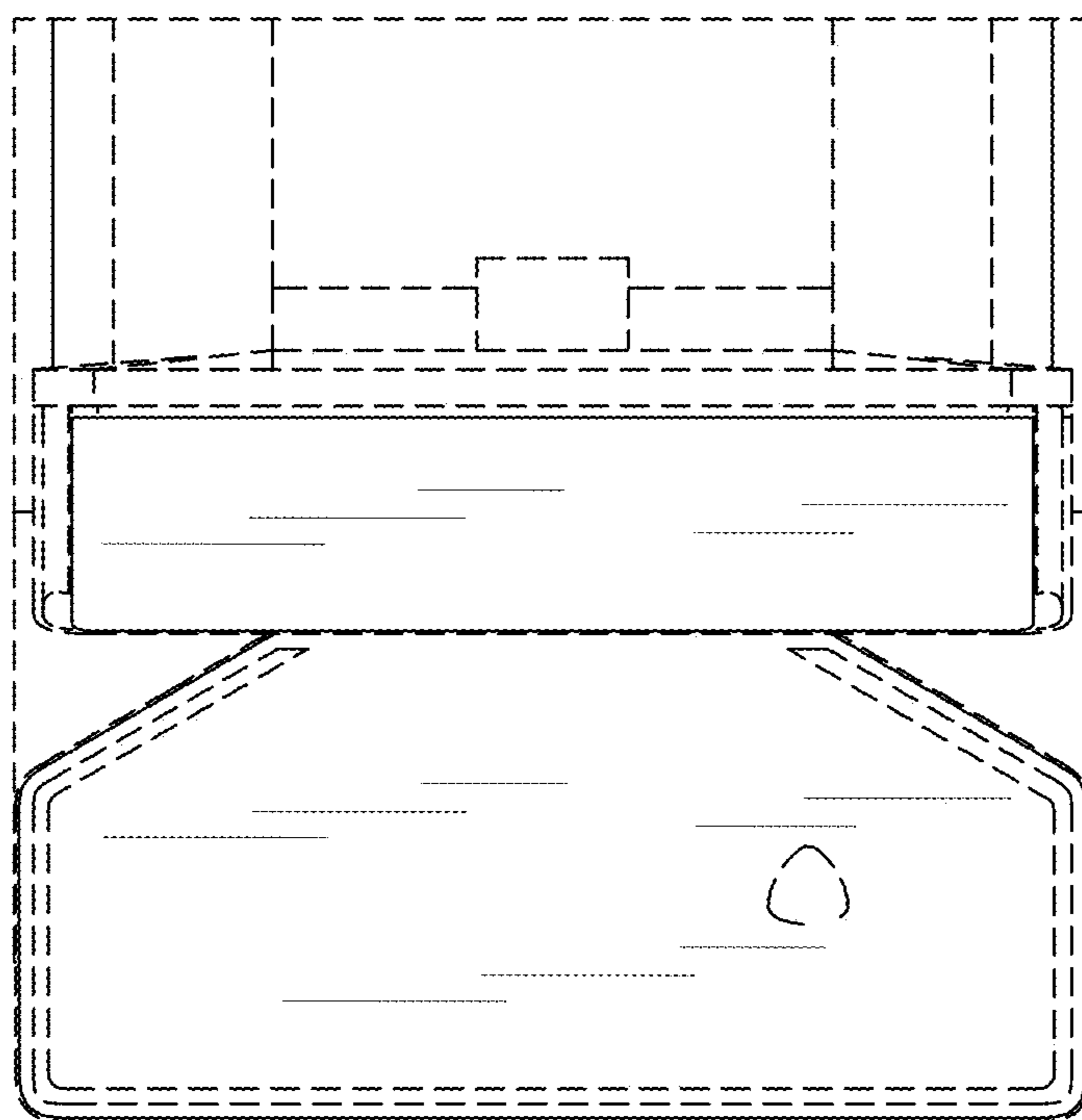


FIG. 6

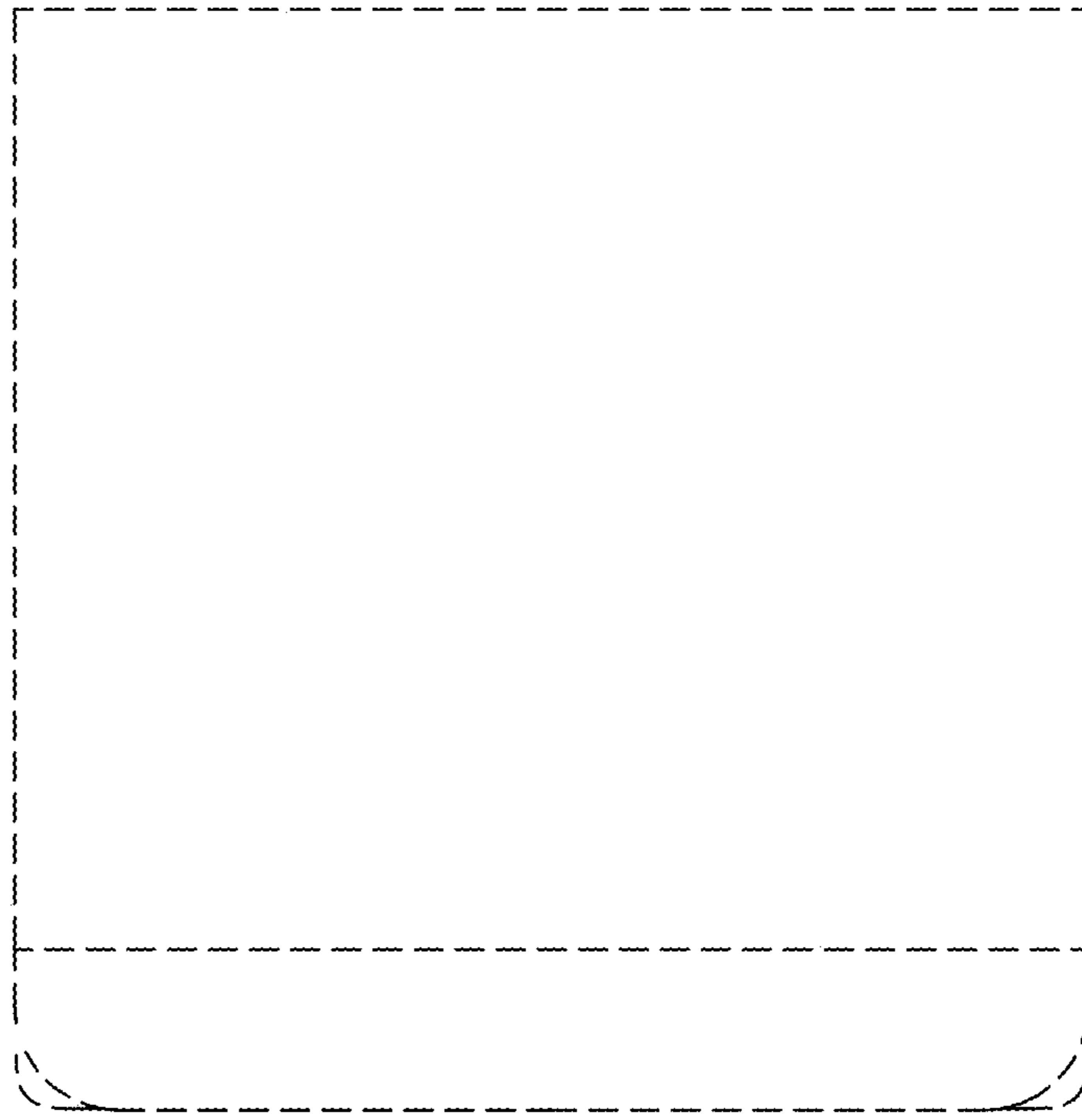


FIG. 7

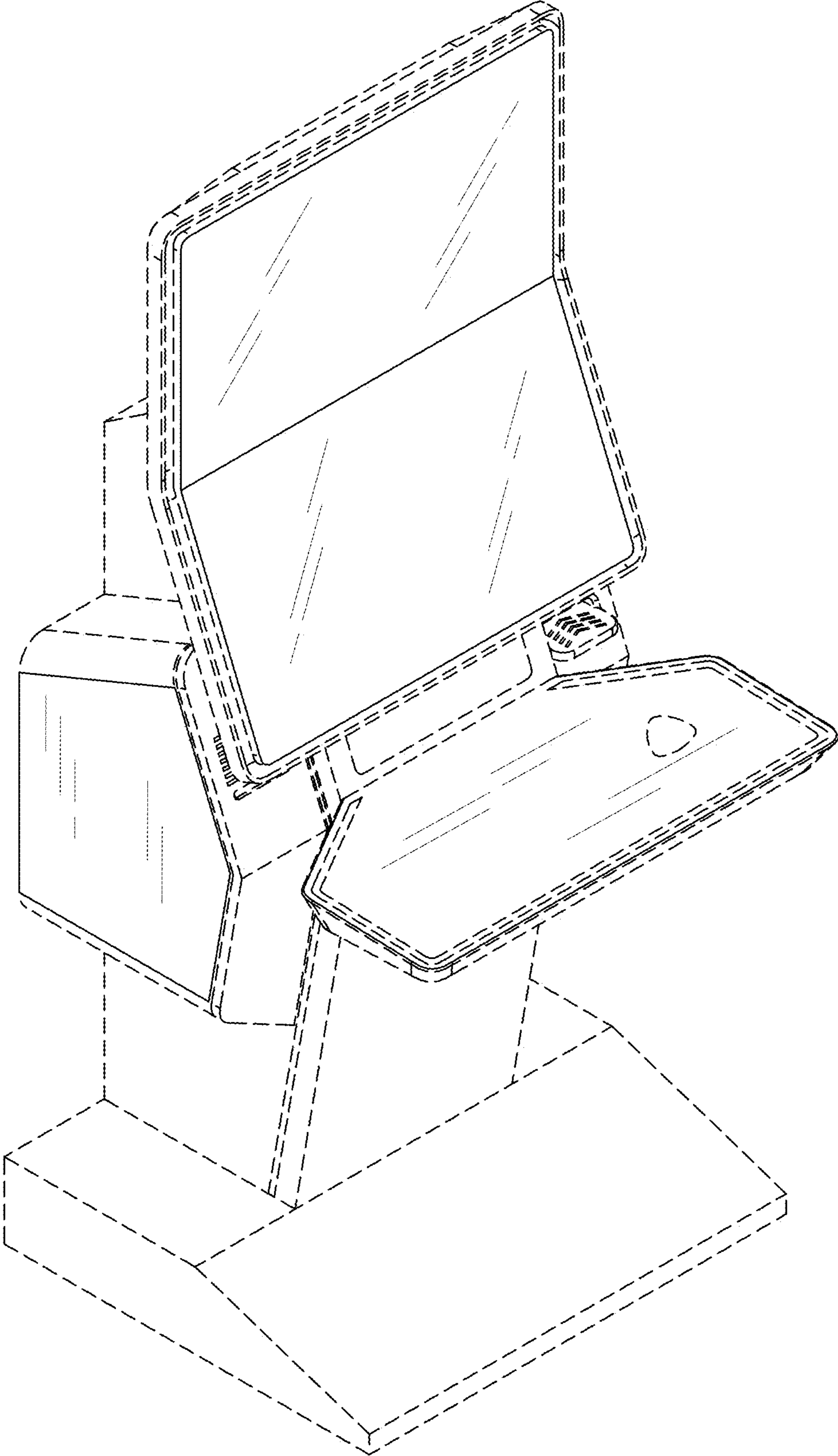


FIG. 8

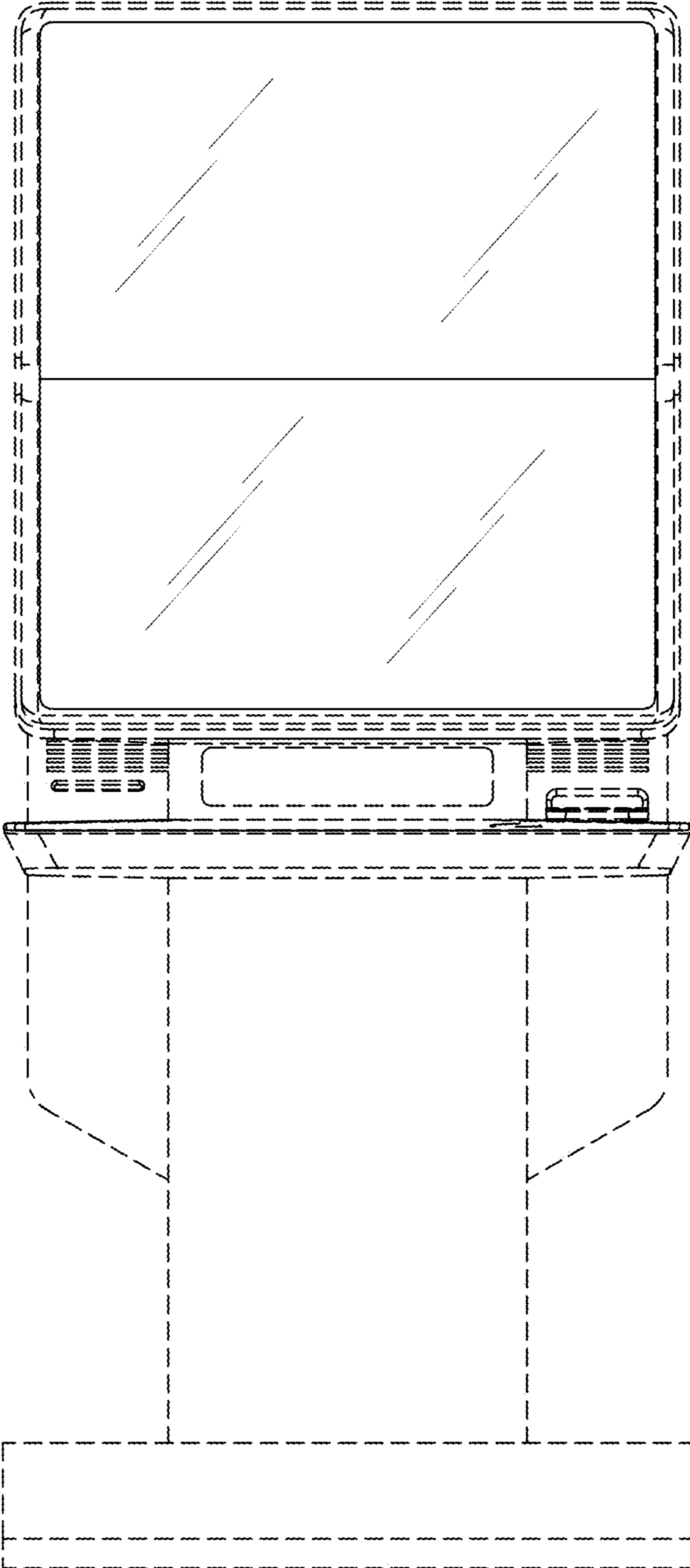


FIG. 9