

US00D907706S

(12) **United States Design Patent**  
**Yang**

(10) **Patent No.:** **US D907,706 S**  
(45) **Date of Patent:** **\*\* Jan. 12, 2021**

(54) **GAME CONTROLLER**

(71) Applicant: **Yumei Yang**, Shenzhen (CN)

(72) Inventor: **Yumei Yang**, Shenzhen (CN)

(\*\*) Term: **15 Years**

(21) Appl. No.: **29/735,804**

(22) Filed: **May 25, 2020**

(51) **LOC (13) Cl.** ..... **21-01**

(52) **U.S. Cl.**  
USPC ..... **D21/333**

(58) **Field of Classification Search**  
USPC ..... D21/324–329, 333; D14/174, 177, 190,  
D14/137, 138, 168, 217, 218, 356, 387,  
D14/388, 389, 399–401, 412–416, 443,  
D14/449, 450, 454, 471, 474, 483, 496,  
D14/511; D13/164–168; D18/19;  
D12/174, 177, 190, 218  
CPC ..... A63F 13/24; A63F 13/02; A63F 13/06;  
A63F 13/98; A63F 9/00; A63F 9/24;  
A63F 11/00; H04N 21/00; H04N 7/14;  
G06F 1/1666; G06F 17/00; G06F 19/00;  
C09J 7/38

See application file for complete search history.

|              |         |                |         |
|--------------|---------|----------------|---------|
| D803,837 S * | 11/2017 | Kumar .....    | D14/401 |
| D805,518 S * | 12/2017 | Goldman .....  | D14/401 |
| D806,078 S * | 12/2017 | Goldman .....  | D14/401 |
| D819,641 S * | 6/2018  | Tsuchiya ..... | D14/401 |
| D823,945 S   | 7/2018  | Falc           |         |
| D827,646 S * | 9/2018  | Mitchell ..... | D14/389 |
| D831,641 S * | 10/2018 | Wall .....     | D14/341 |
| D863,447 S * | 10/2019 | Tsuchiya ..... | D21/333 |
| D864,302 S * | 10/2019 | Strahle .....  | D21/333 |
| D865,766 S * | 11/2019 | Hu .....       | D14/401 |
| D866,664 S * | 11/2019 | Strahle .....  | D21/333 |
| D867,460 S   | 11/2019 | Yan            |         |
| D881,281 S * | 4/2020  | Tong .....     | D21/333 |
| D882,690 S * | 4/2020  | Tsuchiya ..... | D21/333 |
| D882,691 S * | 4/2020  | Tsuchiya ..... | D21/333 |
| D882,692 S * | 4/2020  | Tsuchiya ..... | D21/333 |
| D885,387 S * | 5/2020  | Hu .....       | D14/401 |

\* cited by examiner

*Primary Examiner* — Sandra Snapp  
*Assistant Examiner* — Mehri F Bajoul

(57) **CLAIM**

The ornamental design for a game controller, as shown and described.

**DESCRIPTION**

FIG. 1 is a perspective view of a game controller showing my new design;

FIG. 2 is another perspective view thereof;

FIG. 3 is a front elevational view thereof;

FIG. 4 is a rear elevational view thereof;

FIG. 5 is a left side elevational view thereof;

FIG. 6 is a right side elevational view thereof;

FIG. 7 is a top plan view thereof; and,

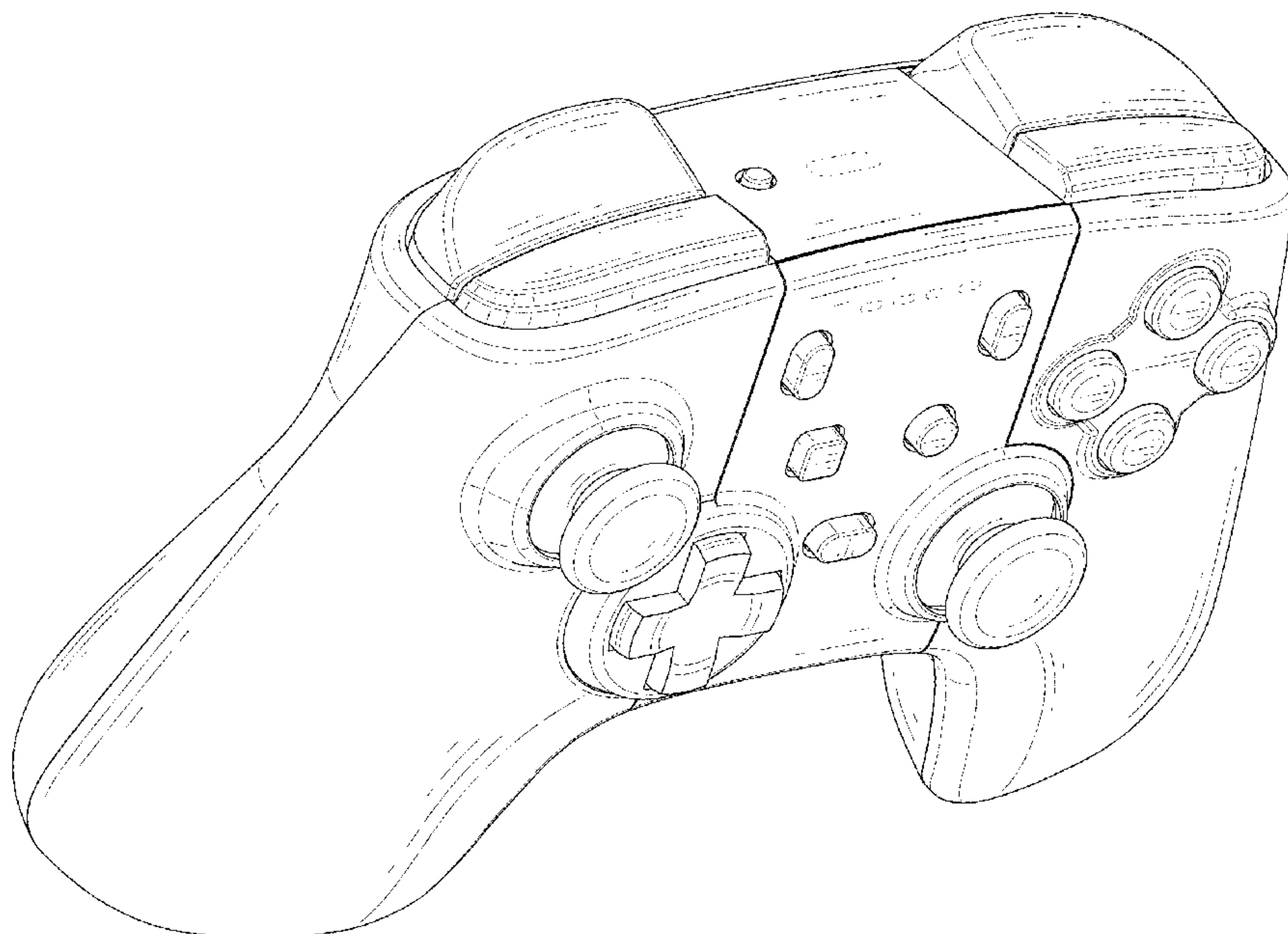
FIG. 8 is a bottom plan view thereof.

The broken lines in the drawings depict portions of the game controller that form no part of the claimed design.

**1 Claim, 8 Drawing Sheets**

(56) **References Cited**  
U.S. PATENT DOCUMENTS

|              |         |                     |         |
|--------------|---------|---------------------|---------|
| D712,972 S * | 9/2014  | Sumii .....         | D21/333 |
| D715,296 S * | 10/2014 | Huang .....         | D14/401 |
| D718,818 S * | 12/2014 | Sumii .....         | D21/333 |
| D740,288 S * | 10/2015 | O'Donnell, Sr. .... | D14/401 |
| D769,781 S * | 10/2016 | Allison .....       | D12/175 |
| D780,180 S * | 2/2017  | Ironmonger .....    | D14/401 |
| D786,254 S * | 5/2017  | Yum .....           | D14/432 |
| D794,717 S * | 8/2017  | Kujawski .....      | D21/333 |
| D801,893 S * | 11/2017 | Simoens .....       | D12/174 |



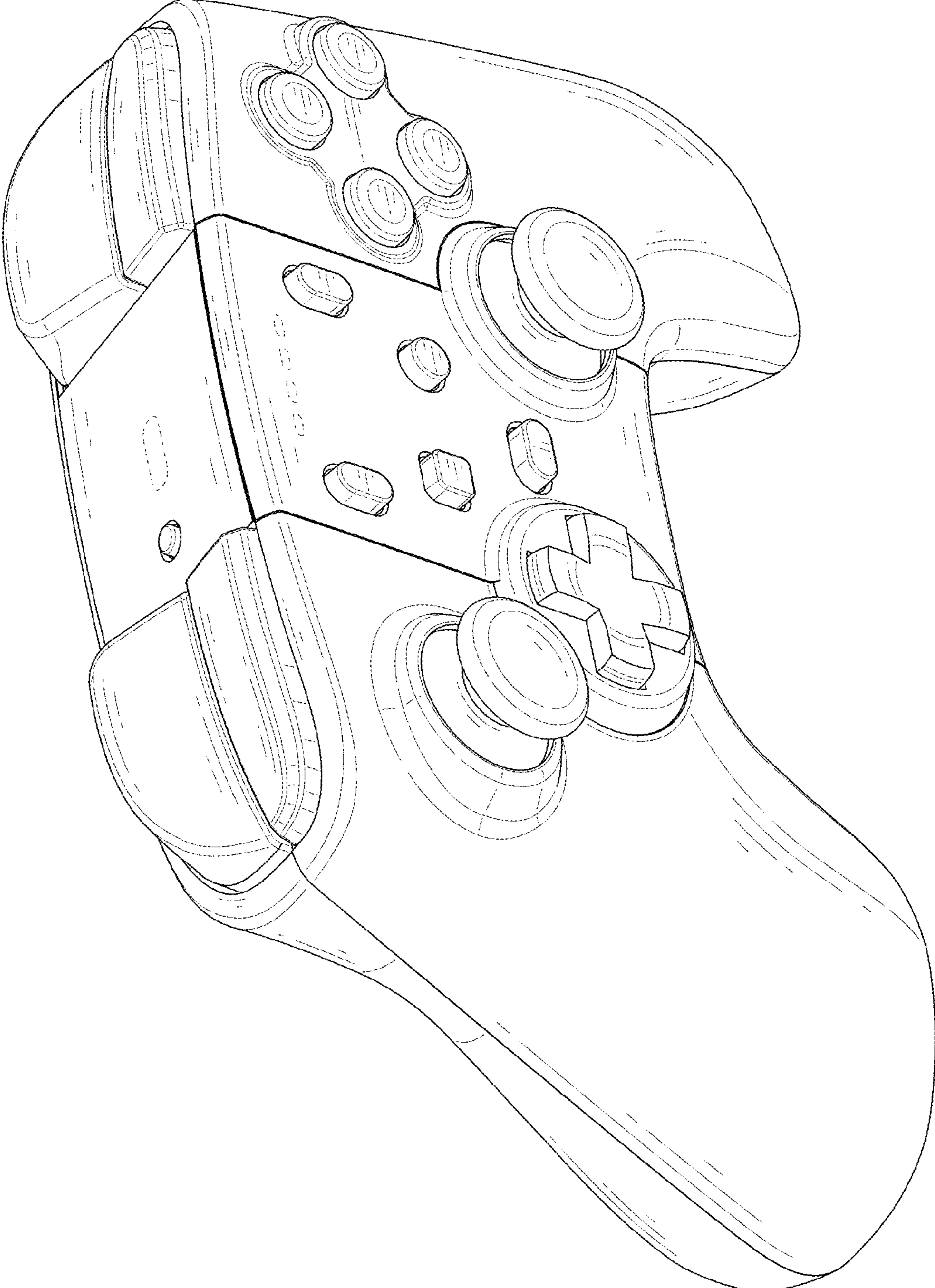


FIG. 1

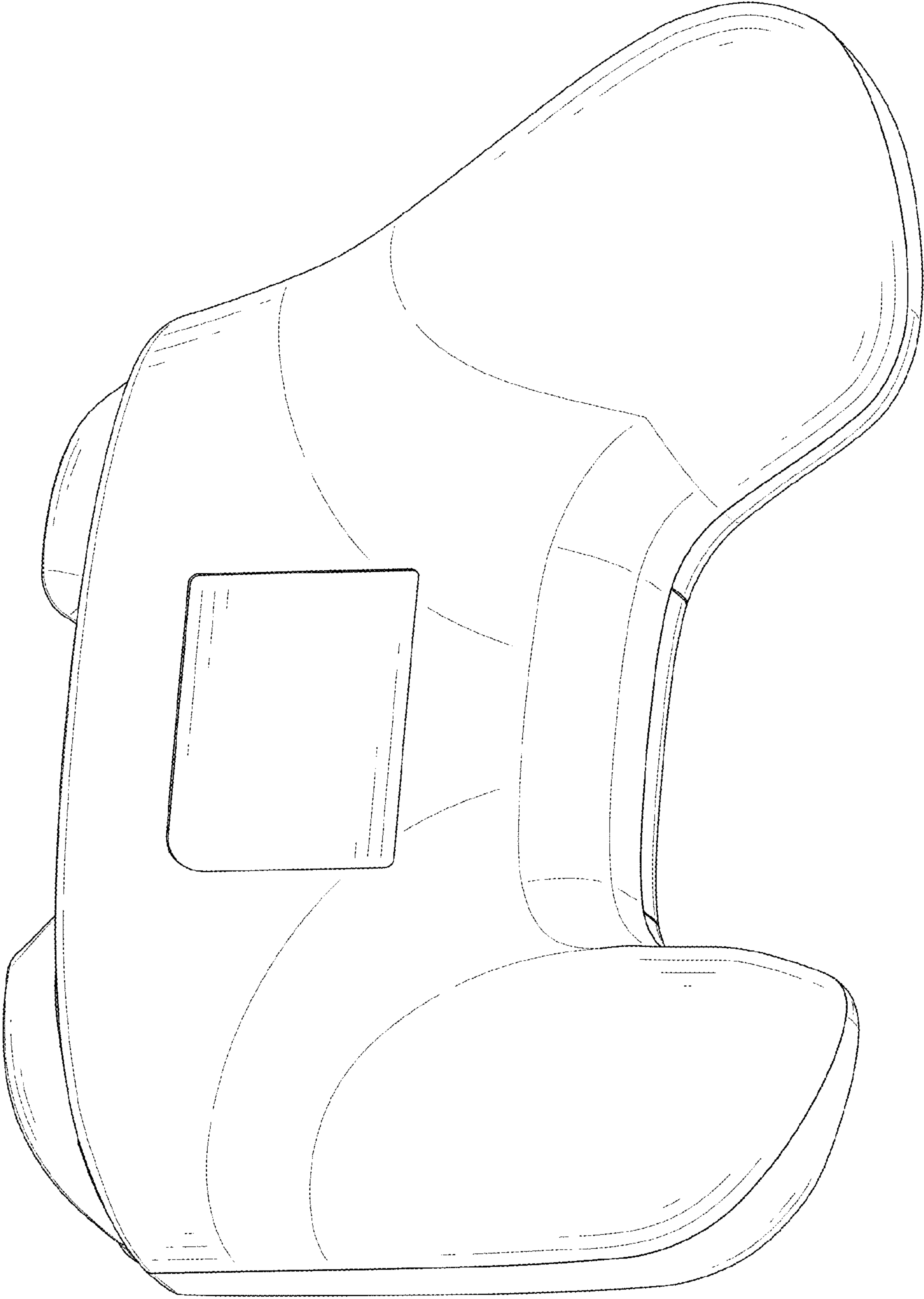


FIG. 2



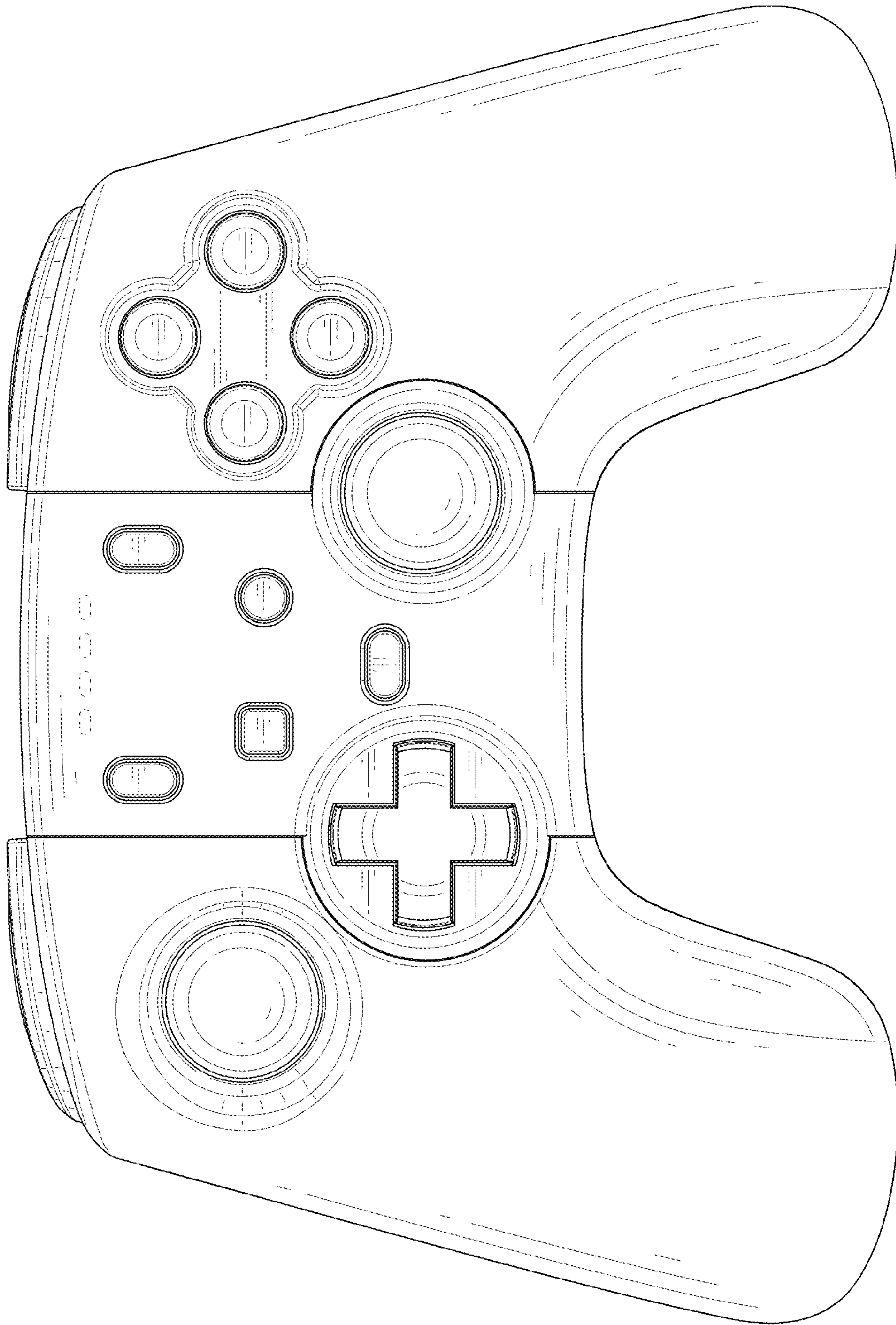


FIG. 3

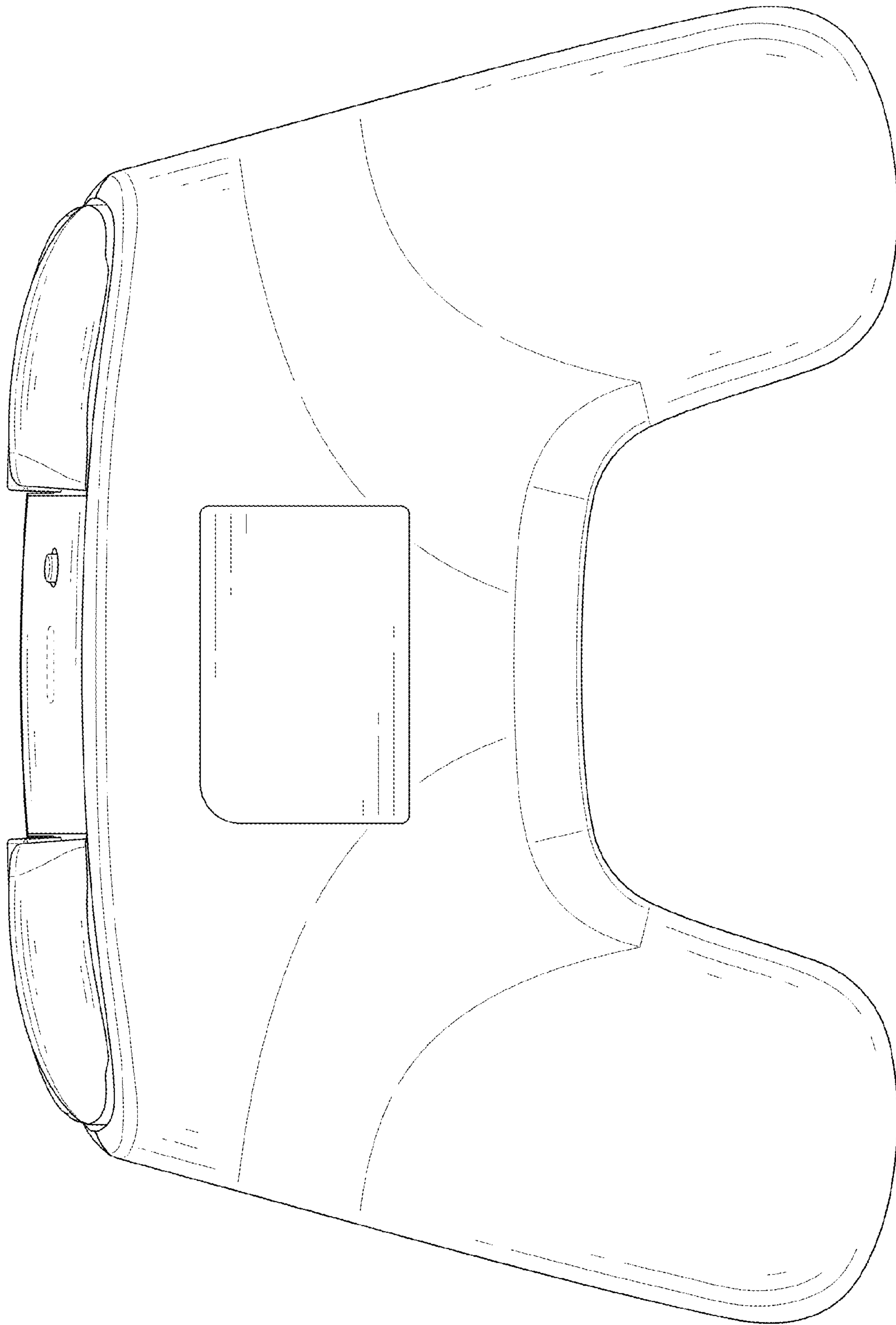


FIG. 4

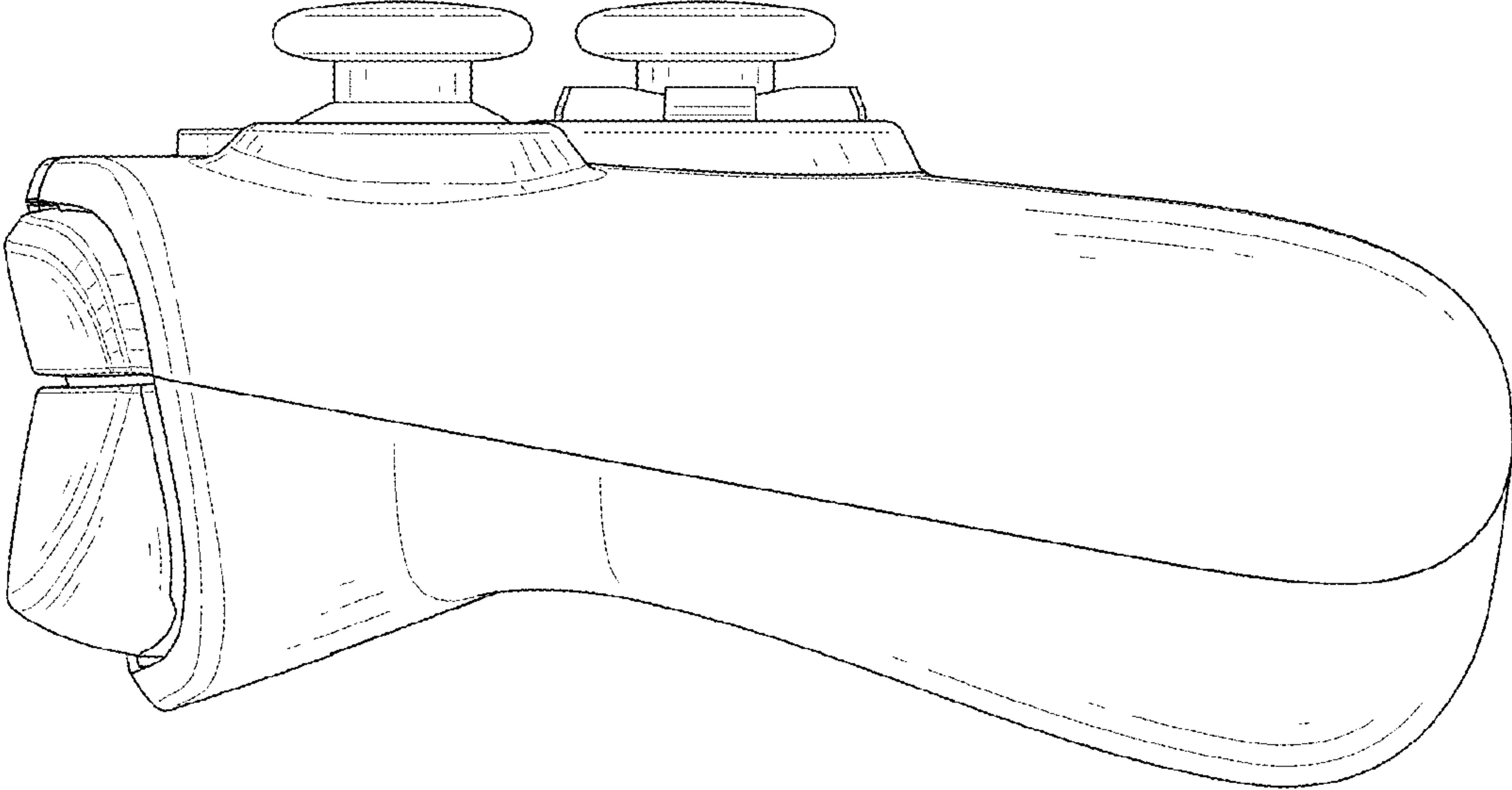


FIG. 5

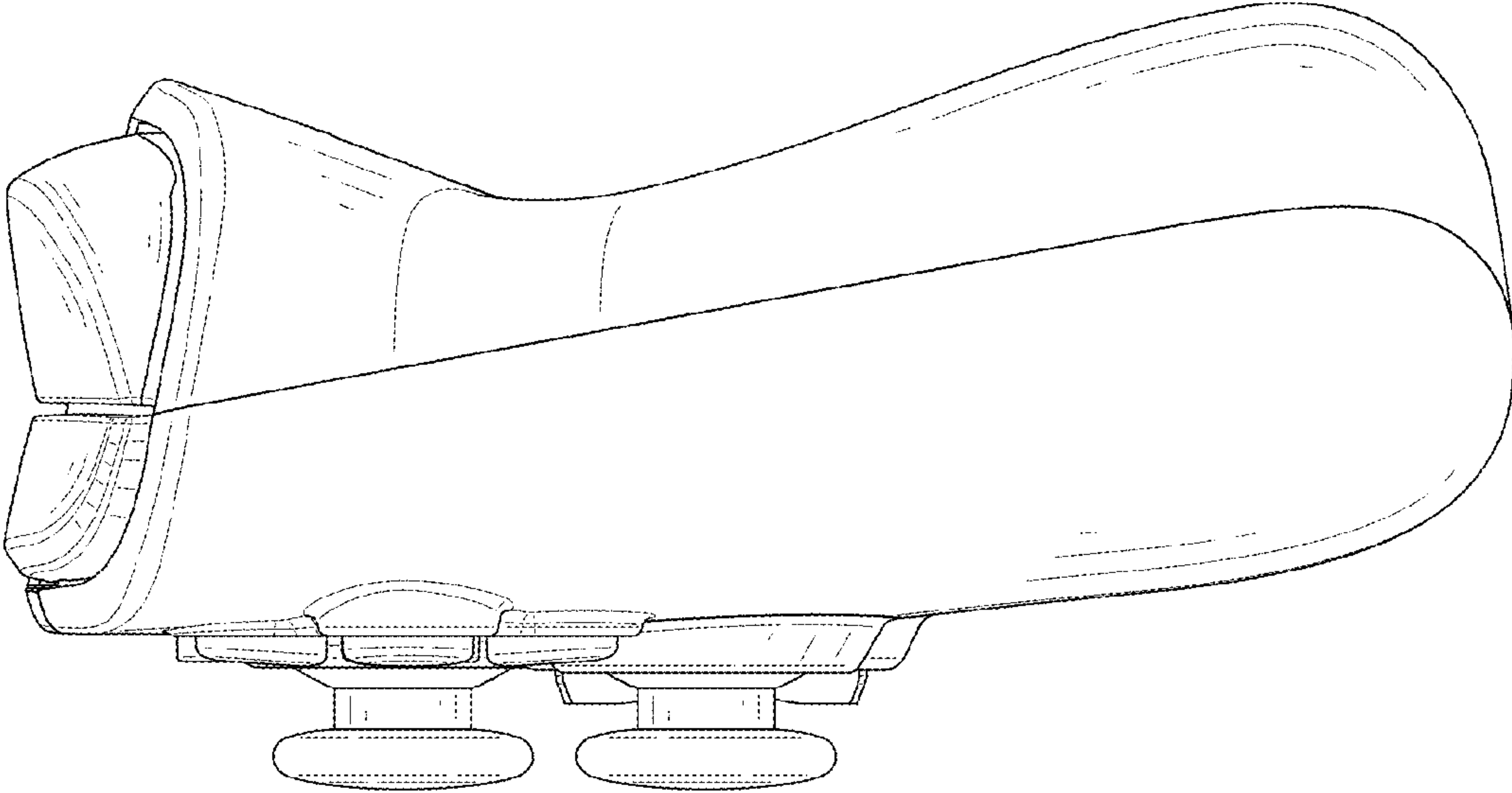


FIG. 6

Replacement sheet

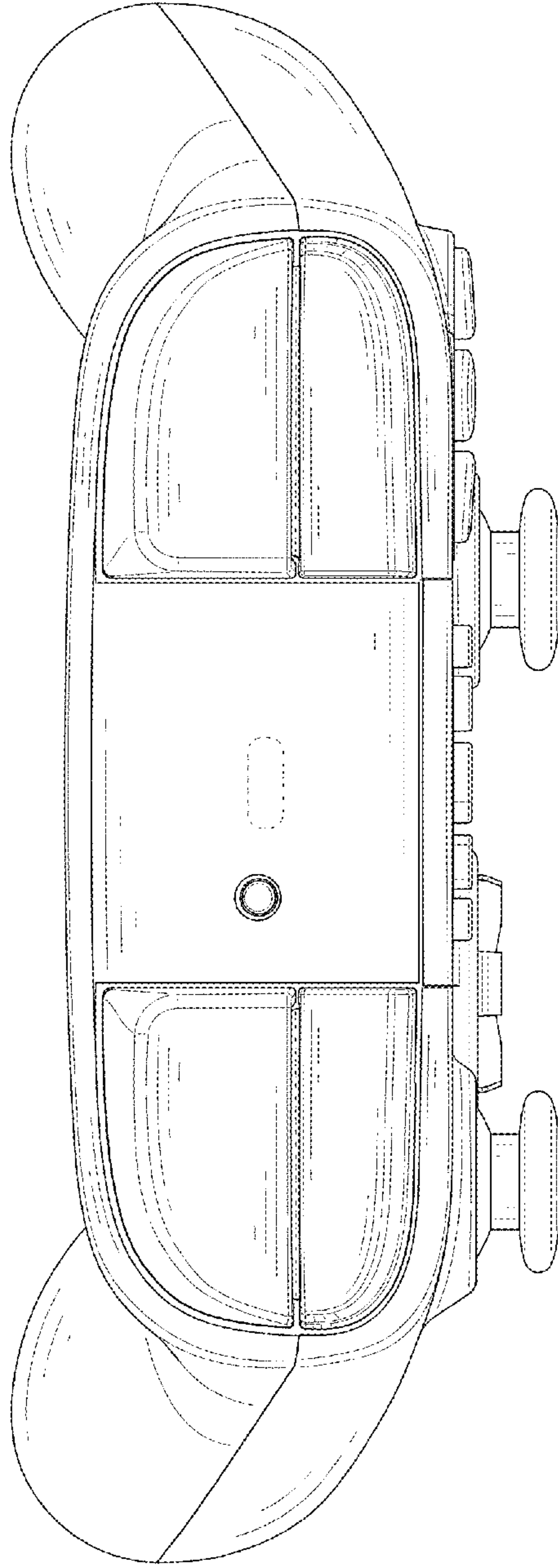


FIG. 7



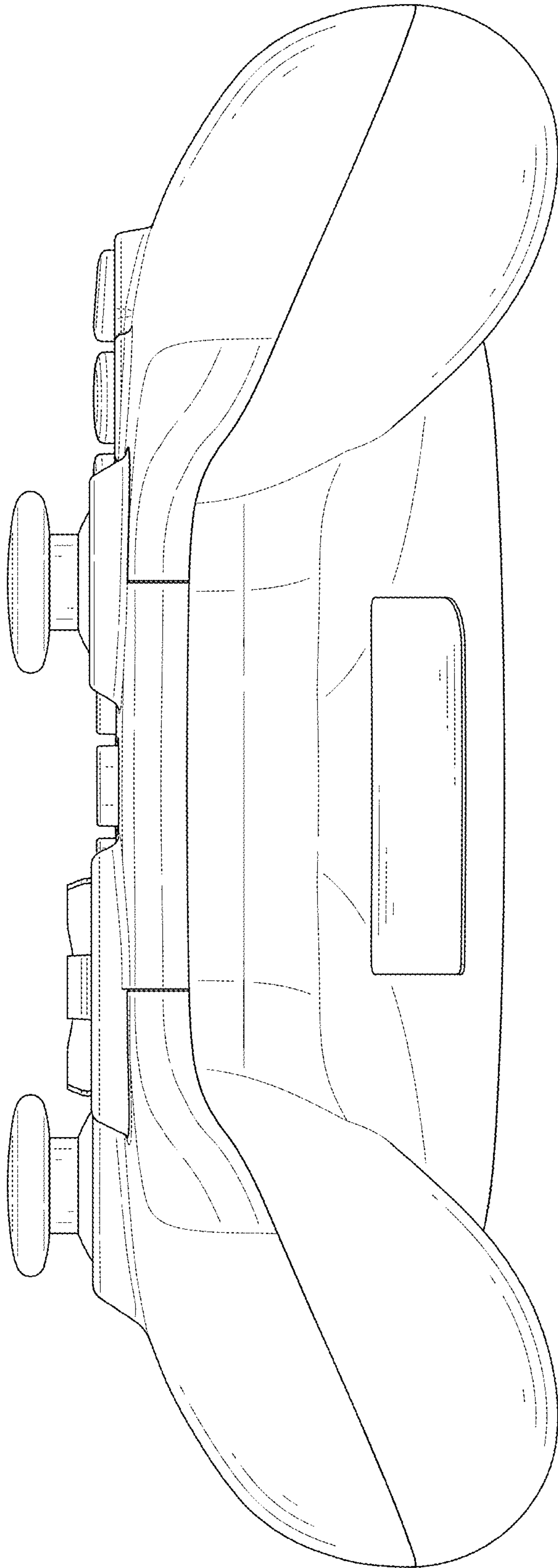


FIG. 8