



US00D907704S

(12) **United States Design Patent** (10) **Patent No.:** **US D907,704 S**  
**Huang** (45) **Date of Patent:** **\*\* Jan. 12, 2021**

(54) **LASER TAG CHEST PLATE**  
(71) Applicant: **MerchSource, LLC**, Irvine, CA (US)  
(72) Inventor: **David Huang**, Torrance, CA (US)  
(73) Assignee: **MerchSource, LLC**, Irvine, CA (US)

D547,237 S \* 7/2007 Tiede ..... D12/7  
D559,837 S \* 1/2008 Nakano ..... D14/223  
7,670,566 B2 \* 3/2010 Adair ..... A01M 1/2077  
239/34

(Continued)

(\*\*) Term: **15 Years**  
(21) Appl. No.: **29/606,808**  
(22) Filed: **Jun. 7, 2017**

OTHER PUBLICATIONS

“Black Series Two-Player Set Electronic Laser Tagt”, posted Dec. 7, 2016 [online], [retrieved Nov. 7, 2018]. Retrieved from internet: [https://www.amazon.com/Black-Two-Player-Set-Electronic-Laser/dp/B01N1G6C2B/ref=cm\\_cr\\_arp\\_d\\_product\\_top?ie=UTF8#customerReviews](https://www.amazon.com/Black-Two-Player-Set-Electronic-Laser/dp/B01N1G6C2B/ref=cm_cr_arp_d_product_top?ie=UTF8#customerReviews).\*

(Continued)

(51) **LOC (13) Cl.** ..... **21-01**  
(52) **U.S. Cl.**  
USPC ..... **D21/333**

*Primary Examiner* — Sandra Snapp  
*Assistant Examiner* — Mehri Bajoul  
(74) *Attorney, Agent, or Firm* — Avyno Law P.C.

(58) **Field of Classification Search**  
USPC ..... D21/324, 328, 333, 364, 368, 380, 382,  
D21/384, 385, 386, 394, 411, 453–456,  
D21/460, 566, 567, 585, 588, 658, 811,  
D21/814; D14/388, 389, 400, 401, 454,  
D14/471, 511; D12/174, 177; D13/164,  
D13/168; D18/19; 273/359, 362, 364,  
273/367, 371, 378–383, 395, 405, 445,  
273/449, 453, 454, 456  
CPC ... F41A 33/02; F41G 3/26; A63F 9/02; G09B  
9/003  
See application file for complete search history.

(57) **CLAIM**

I claim the ornamental design for laser tag chest plate, as shown and described.

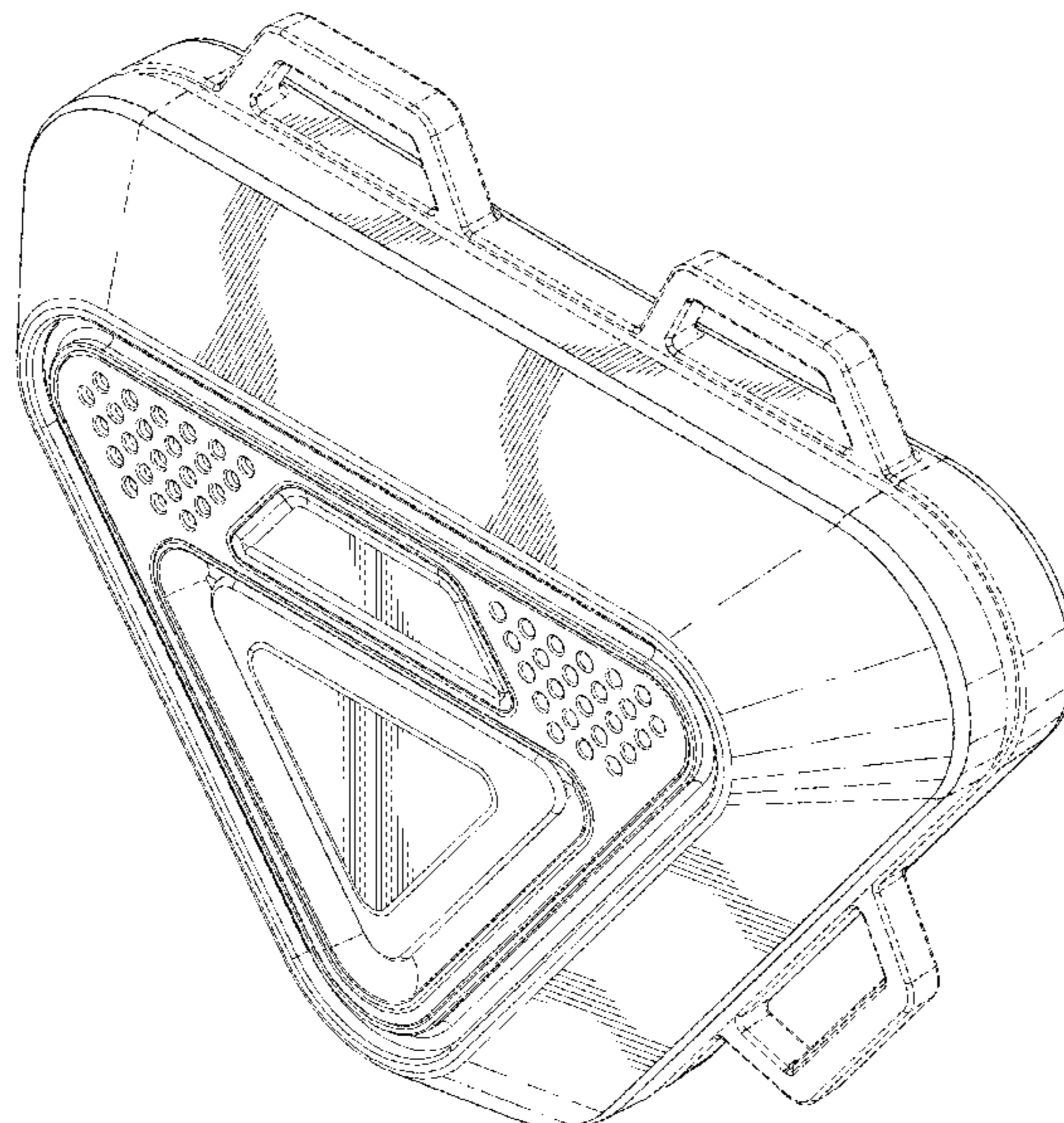
**DESCRIPTION**

FIG. 1 is a front perspective view of a laser tag chest plate showing my new design.  
FIG. 2 is a rear perspective view of the laser tag chest plate.  
FIG. 3 is a front view of the laser tag chest plate of FIG. 1.  
FIG. 4 is a rear view of the laser tag chest plate of FIG. 1.  
FIG. 5 is a right side view of the laser tag chest plate of FIG. 1.  
FIG. 6 is a left side view of the laser tag chest plate of FIG. 1.  
FIG. 7 is a top view of the laser tag chest plate of FIG. 1; and,  
FIG. 8 is a bottom view of the laser tag chest plate of FIG. 1.  
The broken lines shown in the drawings depict portions of the laser tag chest plate that form no part of the claimed design.

(56) **References Cited**  
U.S. PATENT DOCUMENTS

D127,736 S \* 6/1941 Dreyfuss ..... 74/553  
D269,719 S \* 7/1983 Tovey ..... 424/467  
D277,031 S \* 1/1985 Panicci ..... D24/194  
D312,423 S \* 11/1990 Orlinky ..... D10/106.1  
D353,642 S \* 12/1994 Callaghan ..... D21/386  
D401,582 S \* 11/1998 Gremchuck ..... D14/210  
D463,828 S \* 10/2002 Johnson ..... D21/333  
D490,859 S \* 6/2004 Bedford ..... D21/324  
D519,487 S \* 4/2006 Knight ..... D14/188

**1 Claim, 6 Drawing Sheets**



(56)

**References Cited**

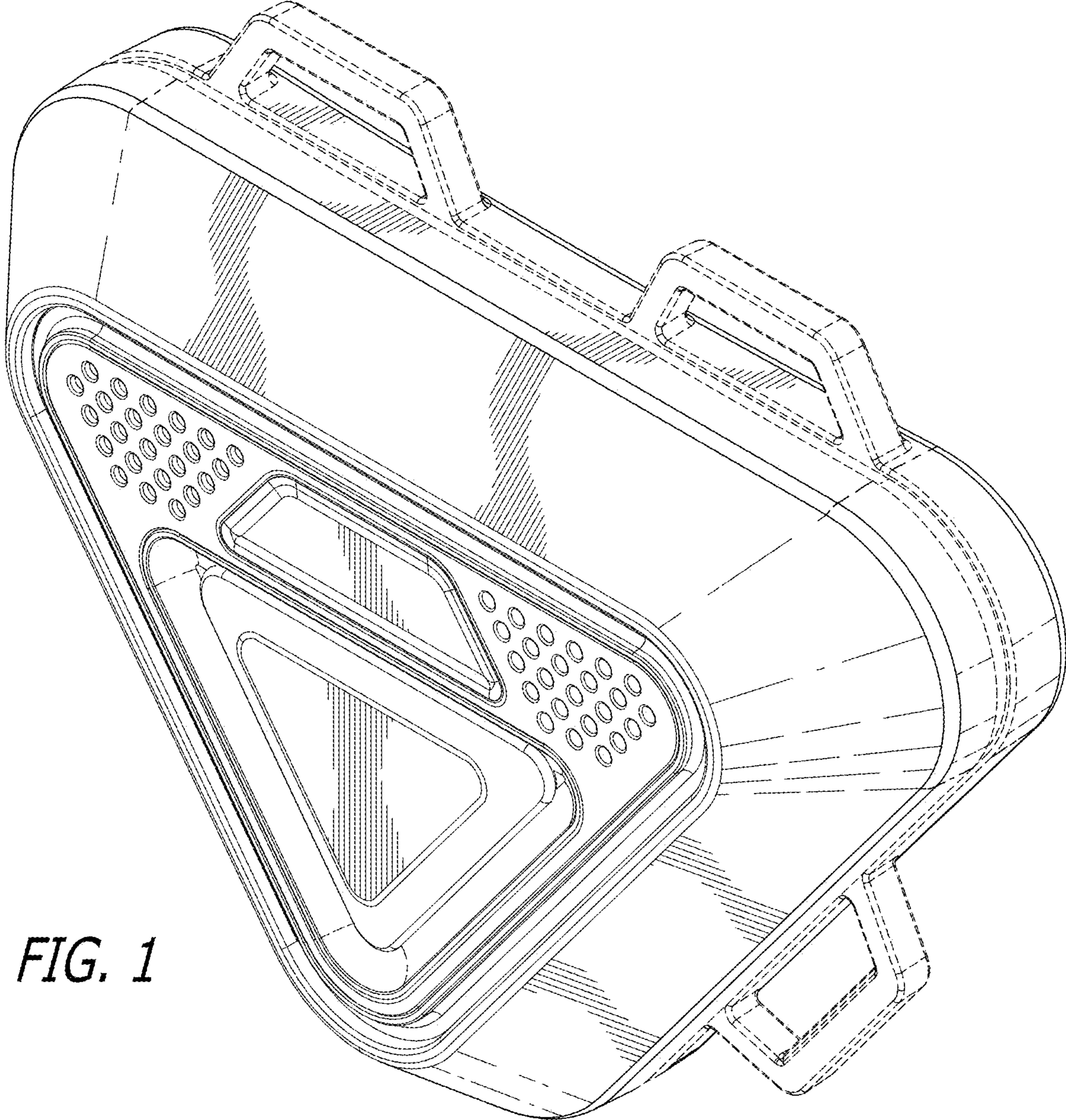
U.S. PATENT DOCUMENTS

D644,607 S \* 9/2011 Honna ..... D13/118  
D651,685 S \* 1/2012 Honzelka ..... D13/162  
D669,759 S \* 10/2012 Castilleja ..... D8/354  
D714,876 S \* 10/2014 Jou ..... D21/386  
D718,820 S \* 12/2014 O'Brien ..... D21/364  
D795,219 S \* 8/2017 Garrett ..... D14/210  
D818,053 S \* 5/2018 Liu ..... D21/455

OTHER PUBLICATIONS

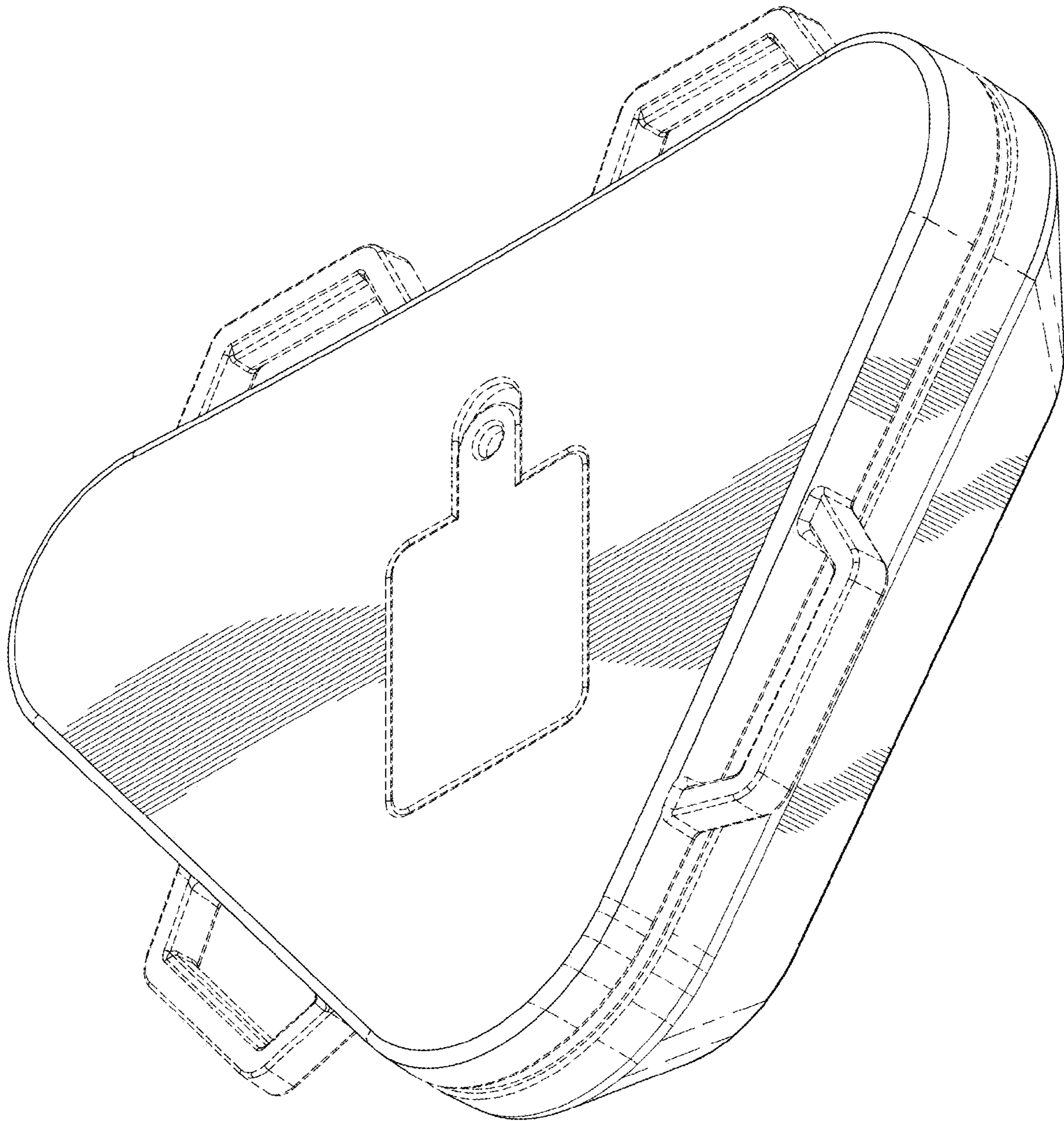
Black Series Electronic Laser Tag with Chest Plates Ser, posted Dec. 17, 2017 [online], [retrieved Nov. 7, 2018]. Retrieved from internet: <https://www.groupon.com/deals/gg-cm-black-series-two-player-set-electronic-laser-tag-with-chest-plates>.\*

\* cited by examiner



*FIG. 1*

*FIG. 2*



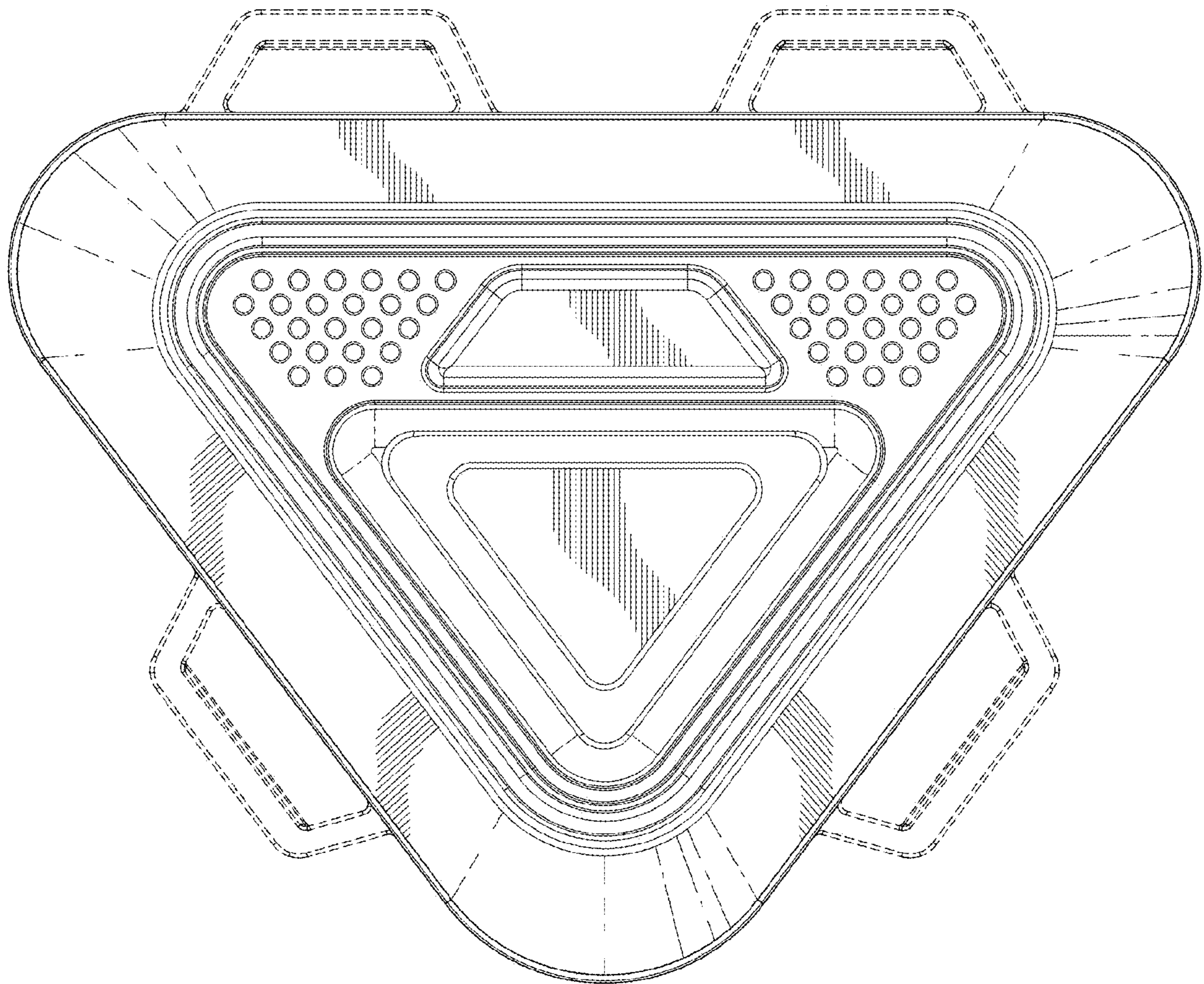
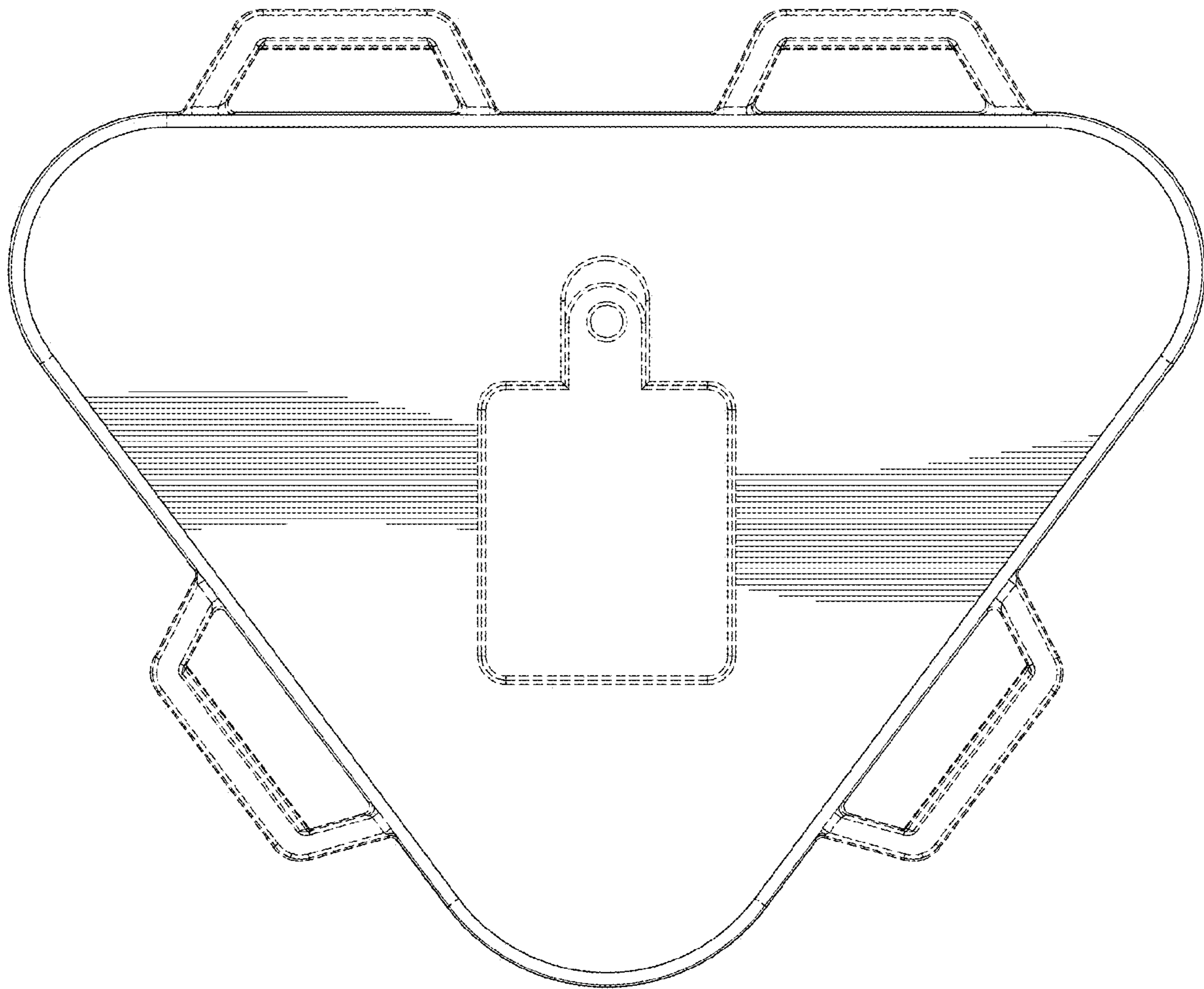
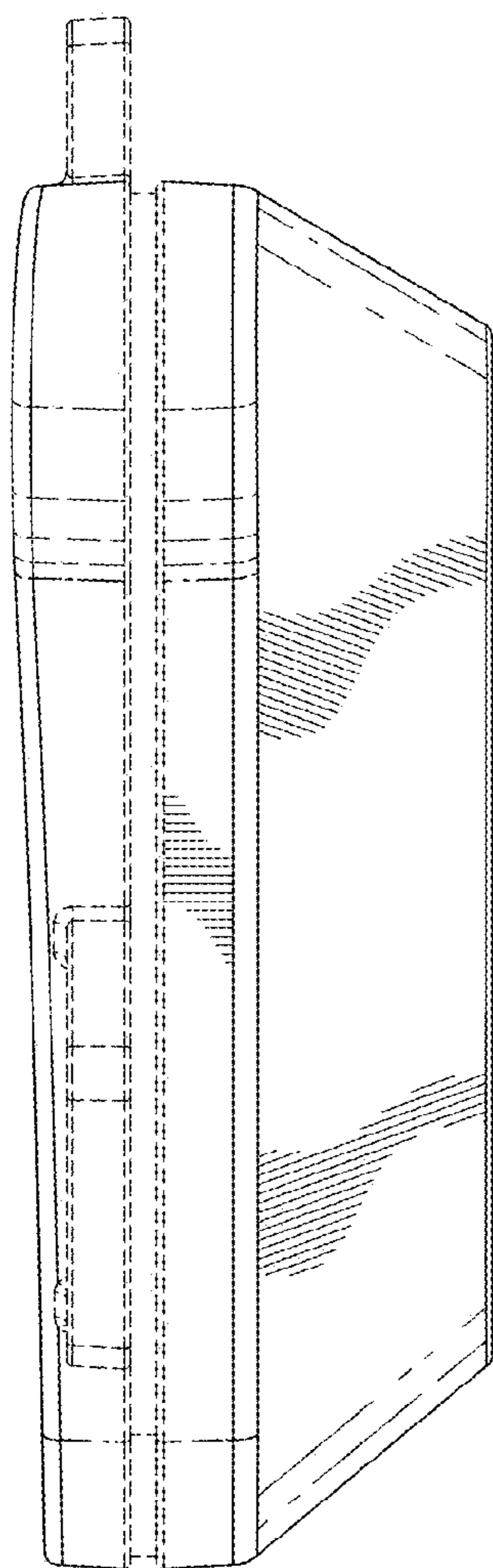


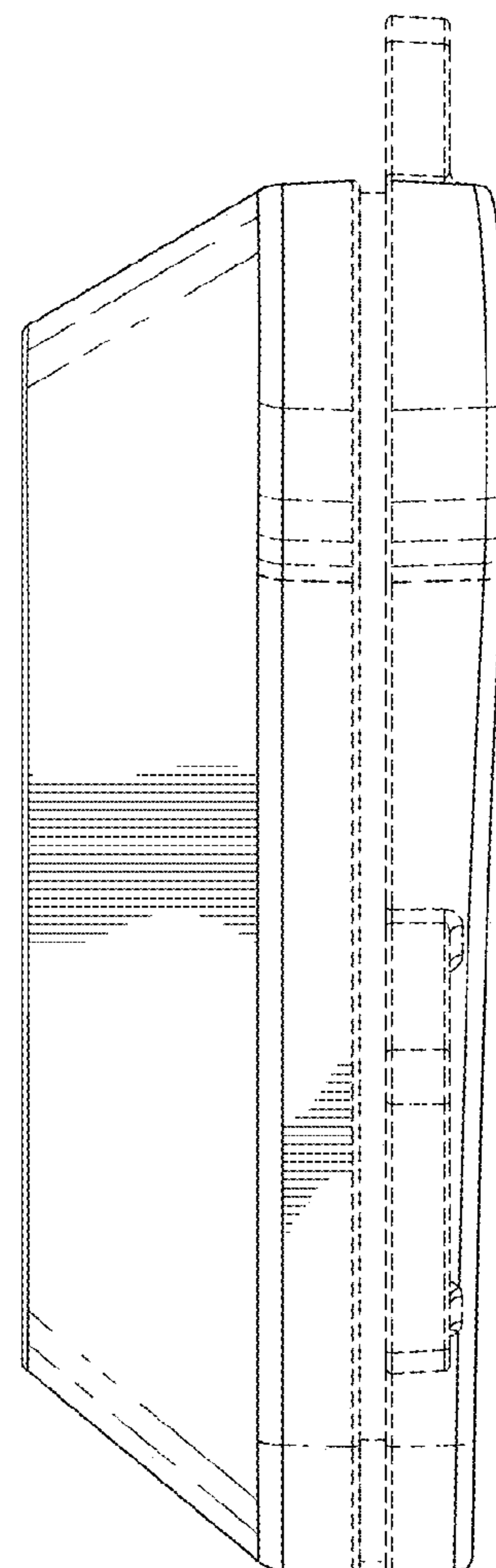
FIG. 3



*FIG. 4*



*FIG. 5*



*FIG. 6*

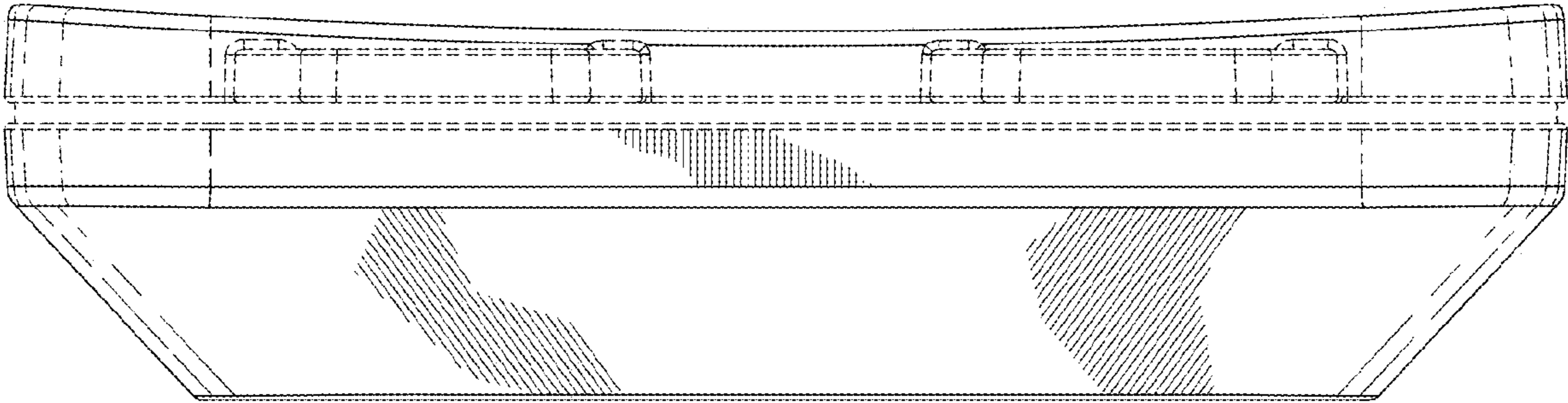


FIG. 7

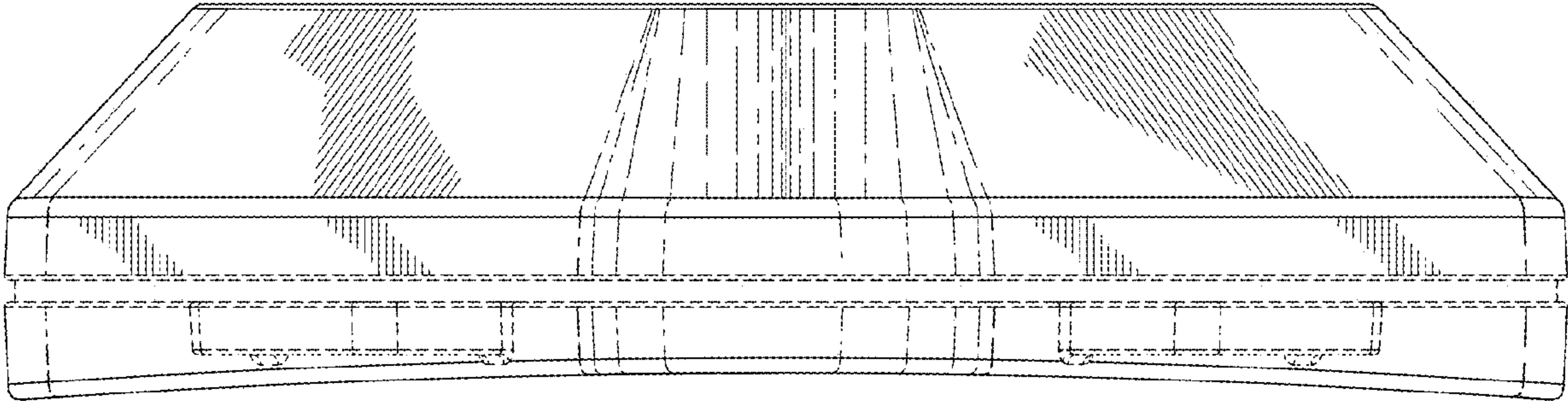


FIG. 8