



US00D907703S

(12) **United States Design Patent** (10) **Patent No.:** **US D907,703 S**  
**Kenton et al.** (45) **Date of Patent:** **\*\* Jan. 12, 2021**

(54) **SIGN**  
(71) Applicant: **Yardbird Outside, LLC**, Austin, TX (US)  
(72) Inventors: **Sara Kenton**, Austin, TX (US); **Jake Hillard**, Plainville, KS (US)  
(73) Assignee: **Yardbird Outside, LLC**, Austin, TX (US)  
(\*\*) Term: **15 Years**  
(21) Appl. No.: **29/683,848**  
(22) Filed: **Mar. 15, 2019**  
(51) **LOC (13) Cl.** ..... **20-03**  
(52) **U.S. Cl.**  
USPC ..... **D20/31**  
(58) **Field of Classification Search**  
USPC ..... D11/131, 132, 133, 137, 139, 157, 158, D11/160, 161, 162, 164; D20/10, 11, 29, D20/30, 31, 32, 33, 34, 41, 42, 99; D21/621, 631, 634; D10/109.1, 113.4  
CPC ..... G09F 1/00; G09F 1/08; G09F 5/00; G09F 5/02; G09F 7/00; G09F 19/00; G09F 23/00; G09F 27/00; Y10S 362/812; A47F 3/00; A47F 8/00; A47F 11/00  
See application file for complete search history.

D497,400 S \* 10/2004 Dykstra ..... D11/160  
D537,130 S \* 2/2007 Kitamura ..... D21/621  
D630,256 S \* 1/2011 Lawrimore ..... D20/32  
D753,241 S \* 4/2016 Jaensch ..... D21/621  
D847,915 S \* 5/2019 Dawson ..... D21/621  
D868,908 S \* 12/2019 Bartee, Jr. .... D21/621  
D890,863 S \* 7/2020 Chuang ..... D21/621

**OTHER PUBLICATIONS**

Yardbird, posted at Canalesco.com, posted on Oct. 30, 2019, site visited Sep. 9, 2020. online, available from internet: <https://canalesco.com/uploads/Yardbird-PostArtboard-3.png> (Year: 2019).\*

\* cited by examiner

*Primary Examiner* — Mary Ann Calabrese  
*Assistant Examiner* — Catherine Ho  
(74) *Attorney, Agent, or Firm* — Banner & Witcoff, Ltd.

(57) **CLAIM**

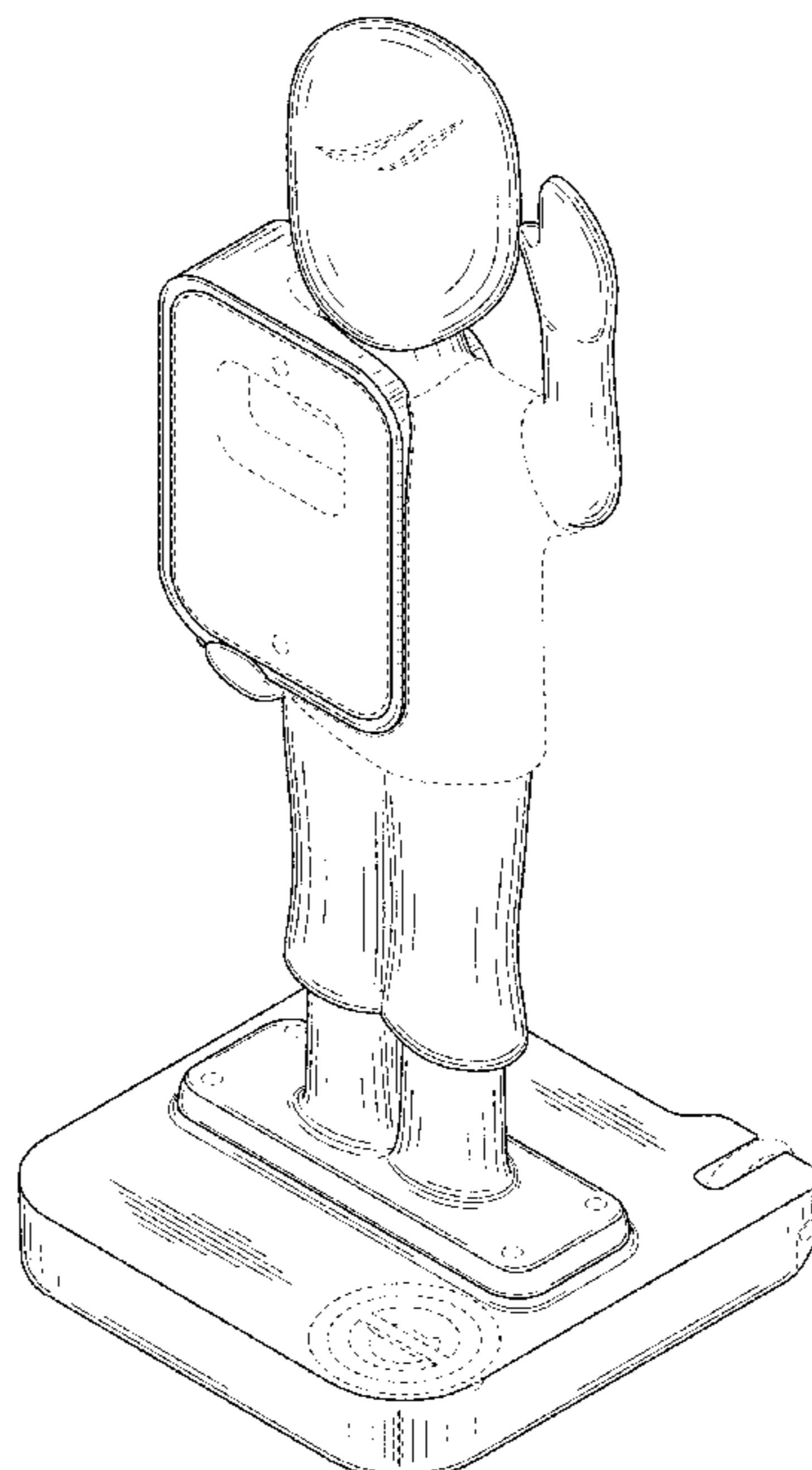
We claim the ornamental design for a sign, as shown and described.

**DESCRIPTION**

FIG. 1 is a top, front, right perspective view of a sign showing our new design;  
FIG. 2 is a front view thereof;  
FIG. 3 is a rear view thereof;  
FIG. 4 is a right side view thereof;  
FIG. 5 is a left side view thereof;  
FIG. 6 is a top view thereof;  
FIG. 7 is a bottom view thereof; and,  
FIG. 8 is a top, rear, left perspective view thereof.  
The broken lines immediately adjacent to the shaded area define the bounds of the claimed design and form no part thereof. The broken lines depicting the remainder of the sign show features that form no part of the claimed design.

**1 Claim, 7 Drawing Sheets**

(56) **References Cited**  
**U.S. PATENT DOCUMENTS**  
D131,540 S \* 3/1942 Phillips ..... D21/621  
D330,348 S \* 10/1992 Roper, Jr. .... D11/160  
D350,563 S \* 9/1994 Eggert ..... D19/62  
D351,632 S \* 10/1994 Mitchell ..... D19/62  
D431,057 S \* 9/2000 Thomas ..... D20/31  
D431,058 S \* 9/2000 Thomas ..... D20/31



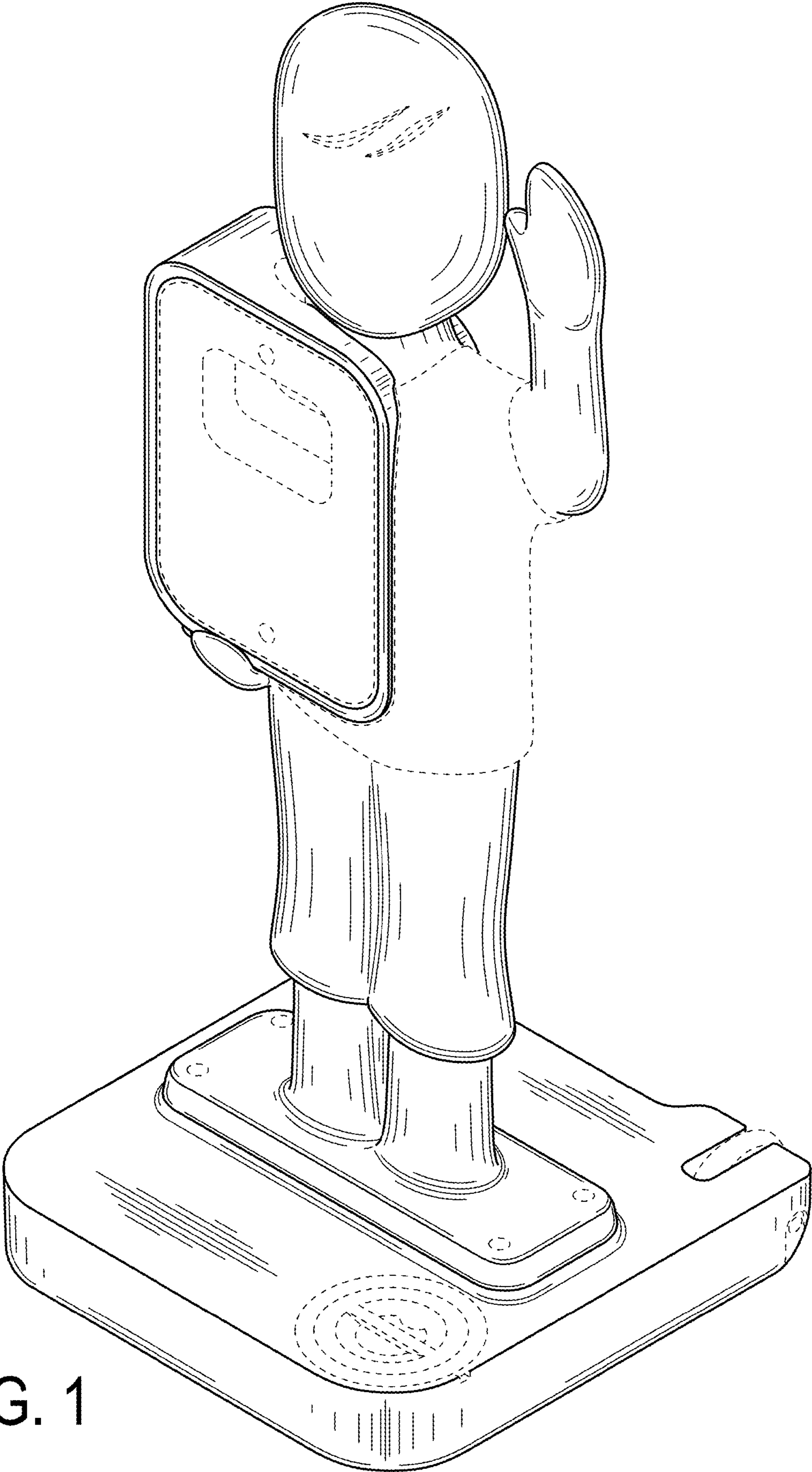


FIG. 1

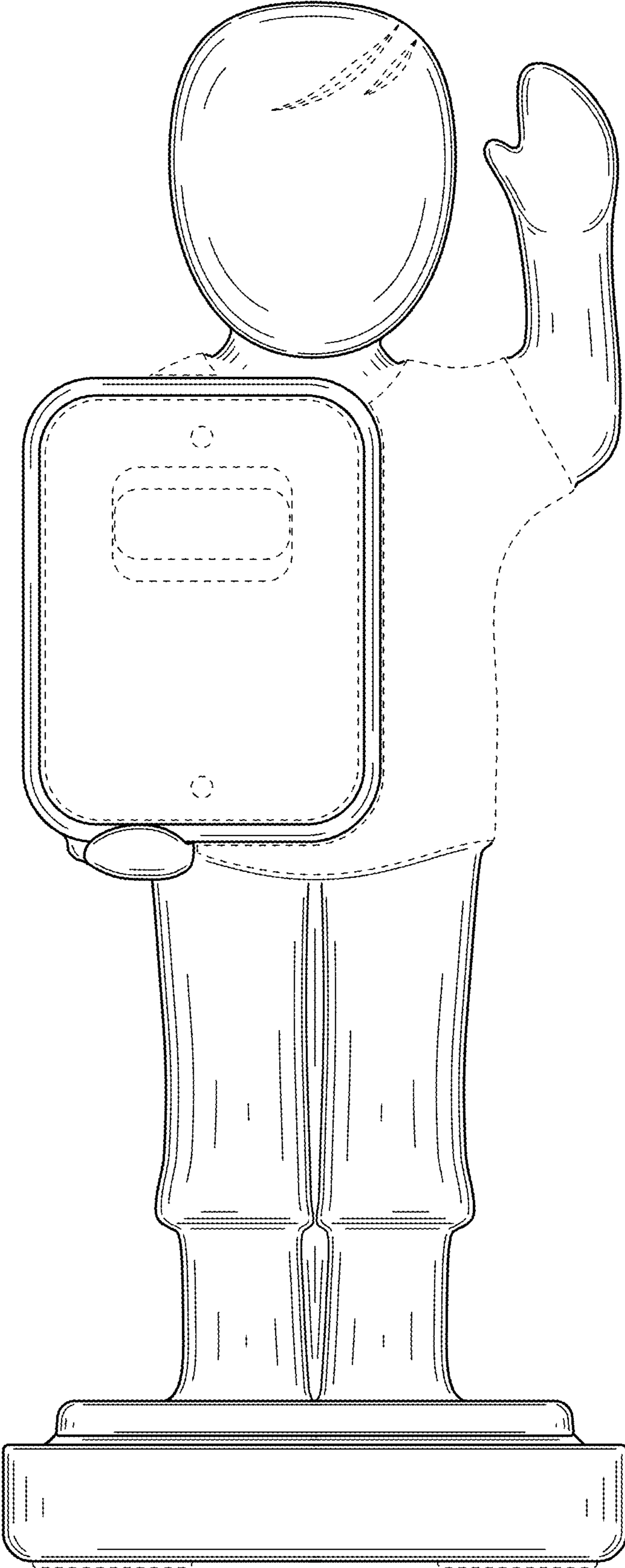


FIG. 2

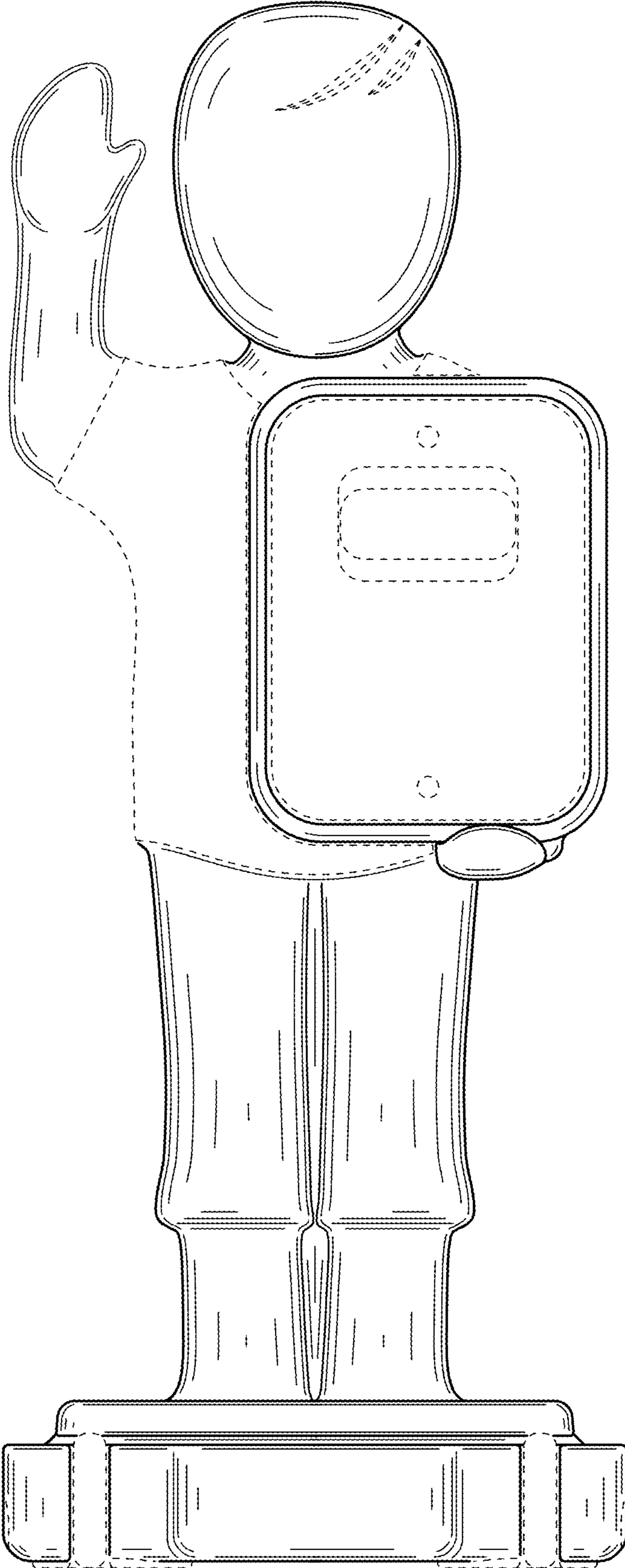


FIG. 3

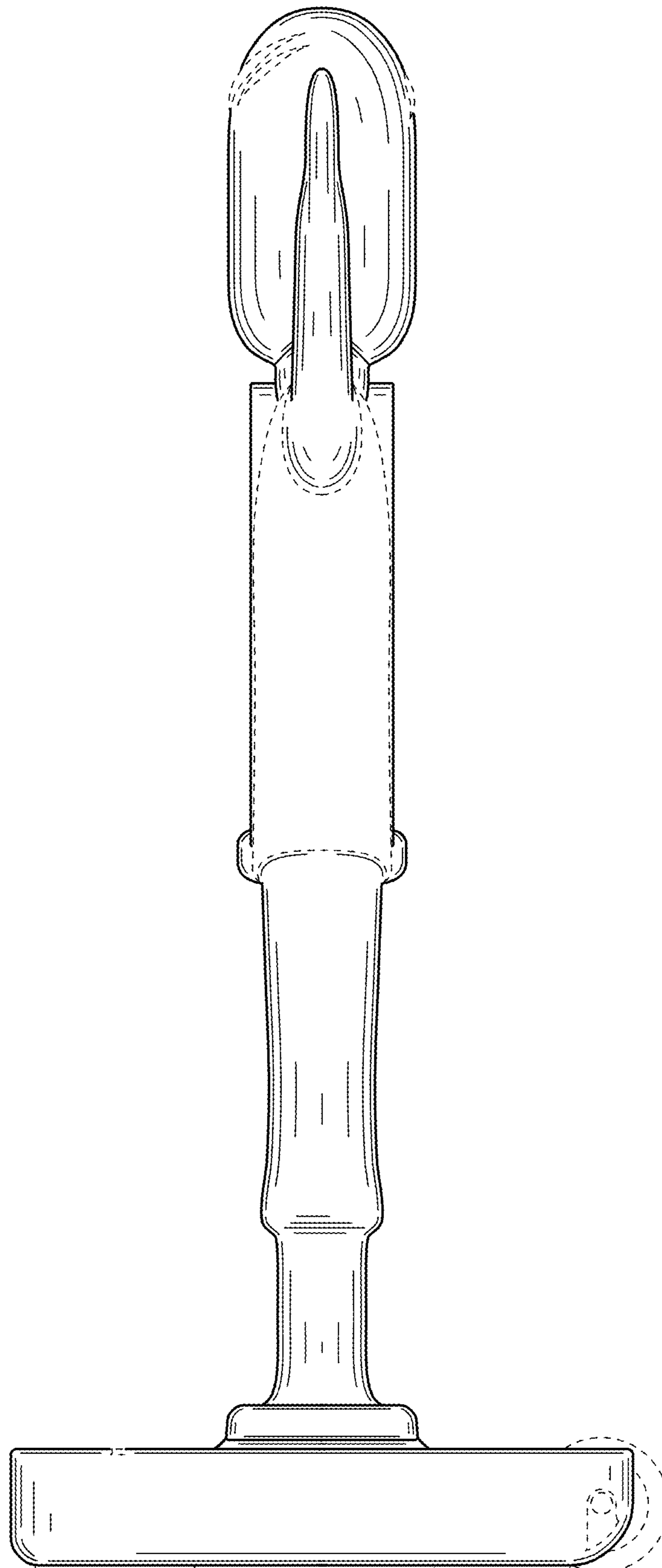


FIG. 4

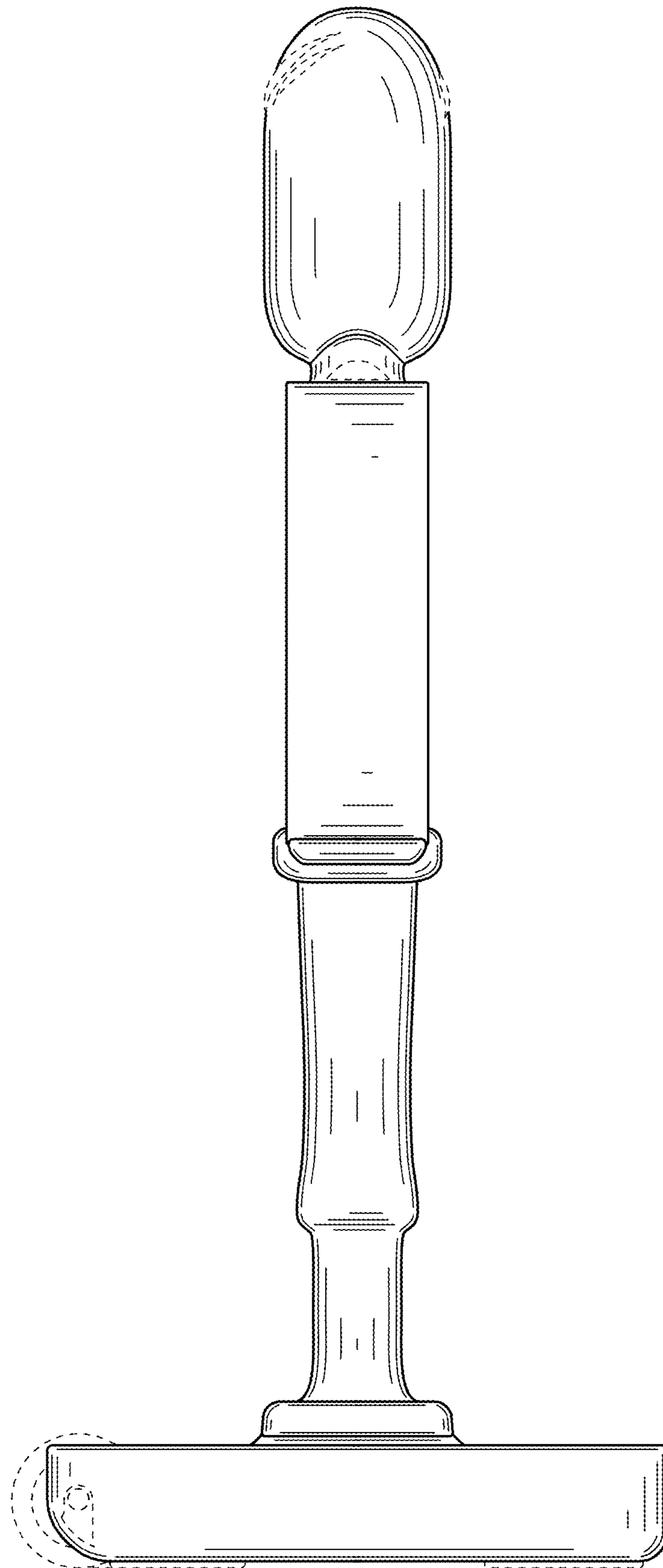


FIG. 5

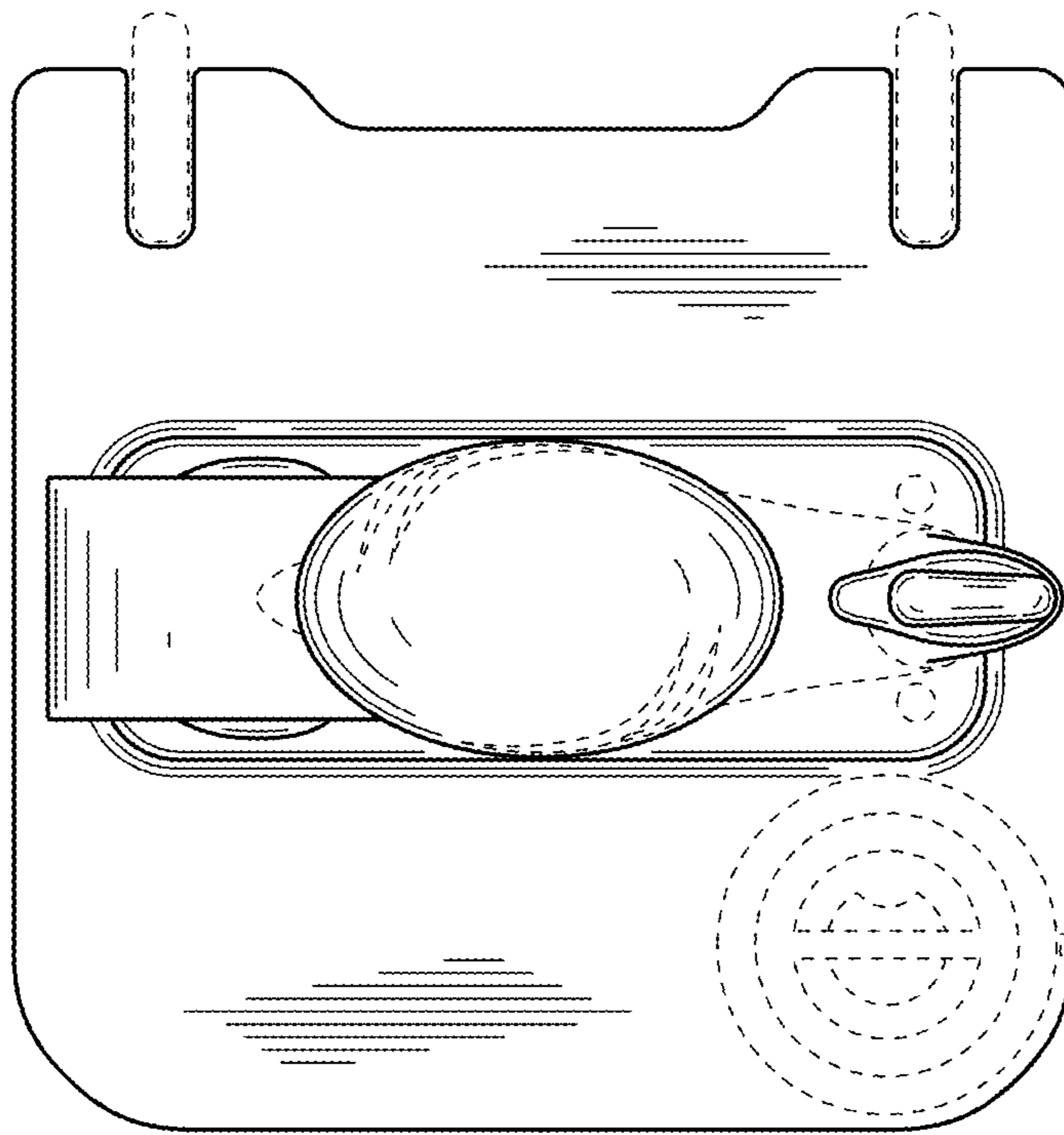


FIG. 6

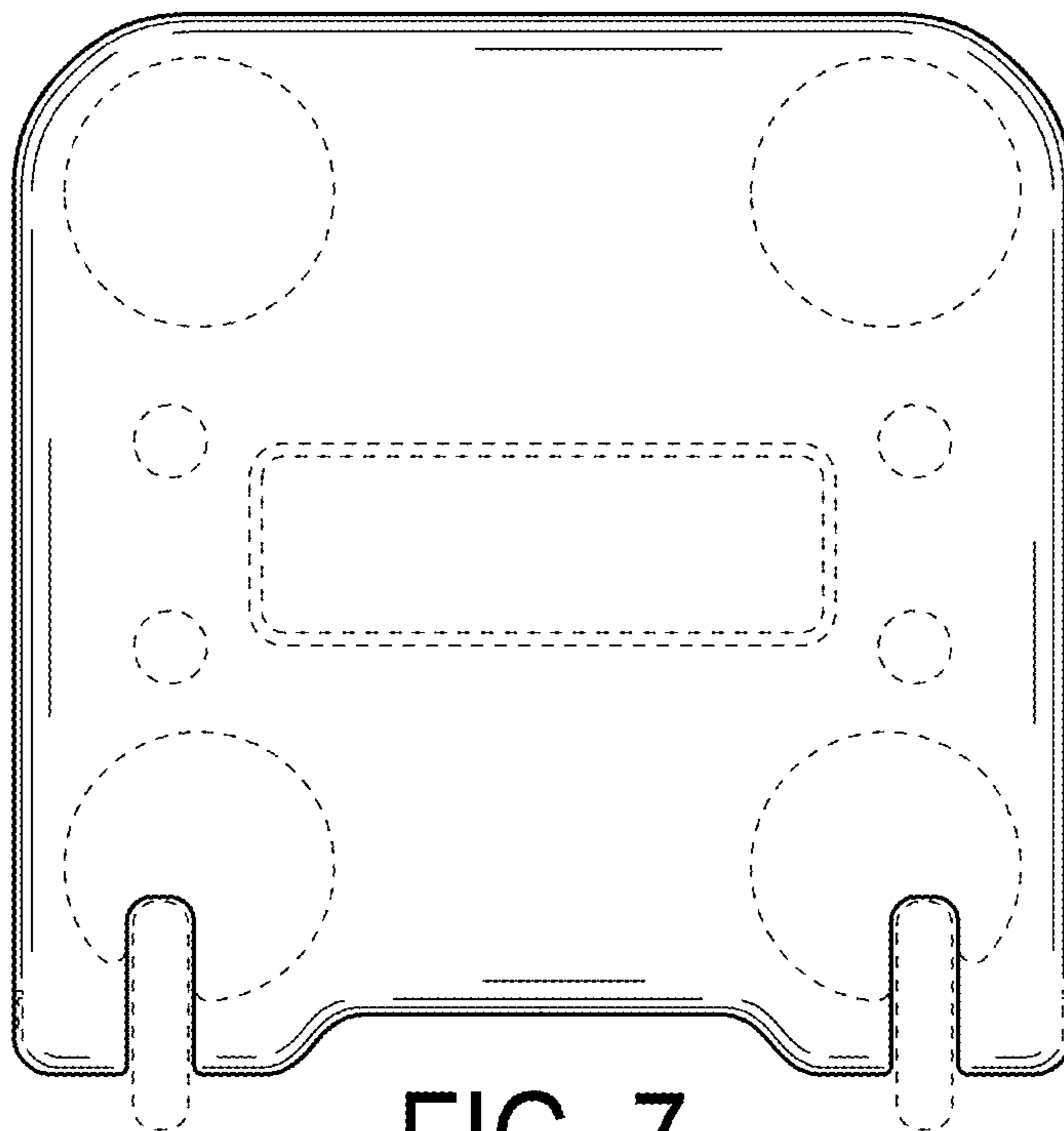


FIG. 7

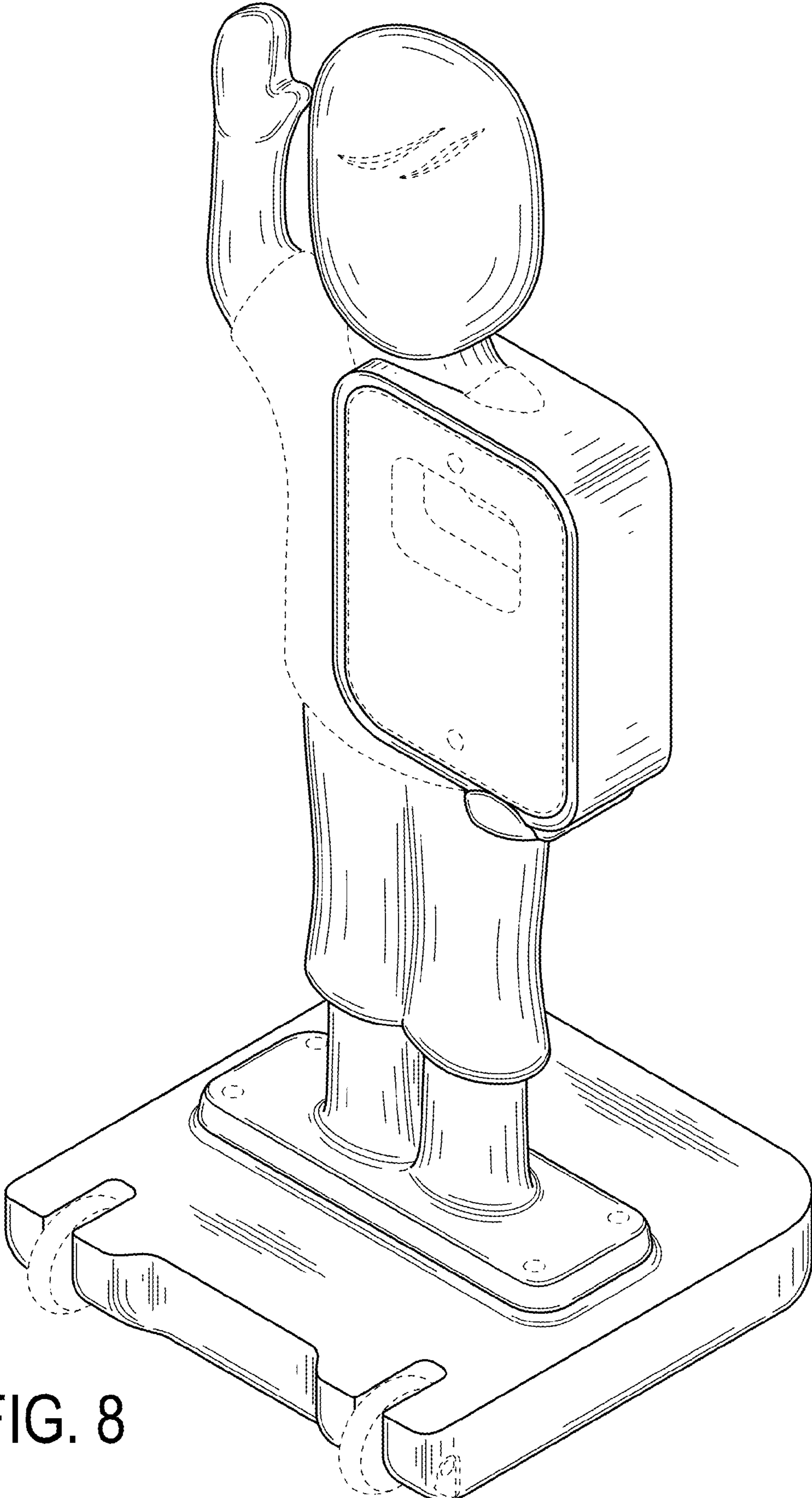


FIG. 8