



US00D907700S

(12) **United States Design Patent** (10) **Patent No.:** **US D907,700 S**  
**Anan et al.** (45) **Date of Patent:** **\*\* Jan. 12, 2021**

(54) **PROCESS CARTRIDGE FOR IMAGE FORMING APPARATUS**

(71) Applicant: **CANON KABUSHIKI KAISHA**, Tokyo (JP)

(72) Inventors: **Osamu Anan**, Tokyo (JP); **Hiroki Shimizu**, Tokyo (JP); **Kazuki Matsumoto**, Tokyo (JP)

(73) Assignee: **Canon Kabushiki Kaisha**, Tokyo (JP)

(\*\*) Term: **15 Years**

(21) Appl. No.: **29/697,473**

(22) Filed: **Jul. 9, 2019**

**Related U.S. Application Data**

(62) Division of application No. 35/505,401, filed on Feb. 1, 2018 (U.S. filing date under 35 U.S.C. 384), and having an international filing date of Feb. 1, 2018, now Pat. No. Des. 881,986.

**Foreign Application Priority Data**

Aug. 10, 2017 (JP) ..... 2017017391

(51) **LOC (13) Cl.** ..... **16-03**

(52) **U.S. Cl.**  
USPC ..... **D18/43**  
CPC ..... **G03G 15/0894** (2013.01)

(58) **Field of Classification Search**

USPC ..... D18/40-45, 56  
CPC ..... G03G 15/0894; G03G 15/0896; G03G 15/0898; G03G 21/1661; G03G 21/1666; G03G 21/1671; G03G 21/1676; G03G 21/168; G03G 21/1685; G03G 21/169; G03G 21/1695; G03G 21/18; G03G 21/1803; G03G 21/1807; G03G 15/0868; G03G 15/087; G03G 15/0872; G03G 15/0874; G03G 15/0875; G03G 15/0877

See application file for complete search history.

(56) **References Cited**

U.S. PATENT DOCUMENTS

D378,830 S	4/1997	Kim	
D379,829 S	6/1997	Hayashi	
D692,945 S	11/2013	Noh	
D693,399 S	11/2013	Sim	
D706,339 S	6/2014	Choi	
D752,136 S	3/2016	Koido	
D765,164 S	8/2016	Park	
D779,589 S	2/2017	Moon	
D791,865 S	7/2017	Yoshii	
D798,948 S	10/2017	Toba	
D798,949 S	10/2017	Toba	
D832,339 S	10/2018	Toba	
D832,340 S *	10/2018	Yang	D18/43
D833,519 S *	11/2018	Yang	D18/43
D833,520 S *	11/2018	Yang	D18/43
D843,443 S	3/2019	Kawai	

(Continued)

*Primary Examiner* — Richard E Chilcot

(74) *Attorney, Agent, or Firm* — Venable LLP

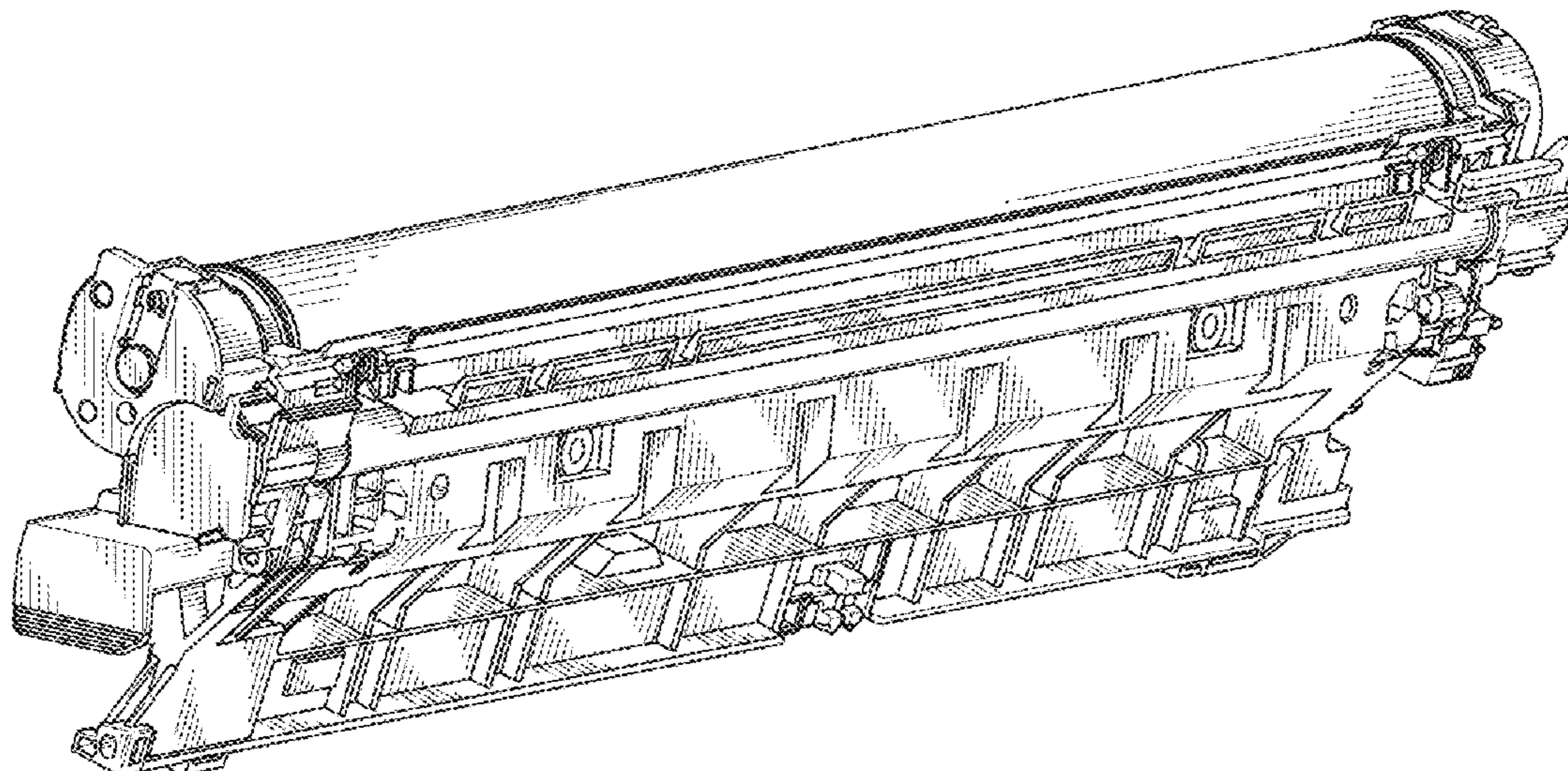
(57) **CLAIM**

The ornamental design for a process cartridge for image forming apparatus, as shown and described.

**DESCRIPTION**

- FIG. 1 : Front
- FIG. 2 : Back
- FIG. 3 : Top
- FIG. 4 : Bottom
- FIG. 5 : Left
- FIG. 6 : Right
- FIG. 7 : Perspective
- FIG. 8 : Perspective
- FIG. 9 : Enlarged view of FIG. 5; and,
- FIG. 10 : Enlarged view of FIG. 6.

**1 Claim, 10 Drawing Sheets**



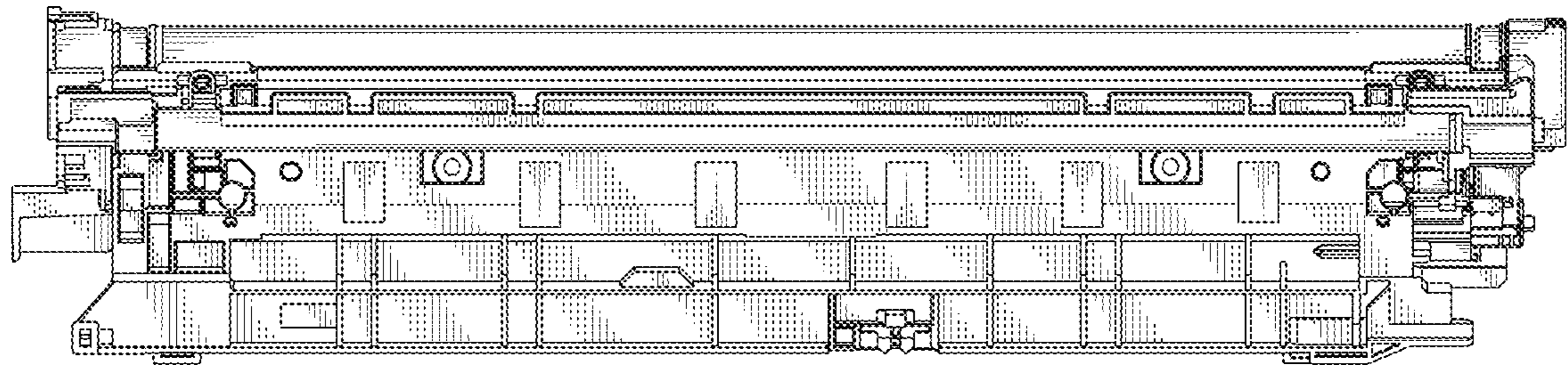
(56)

**References Cited**

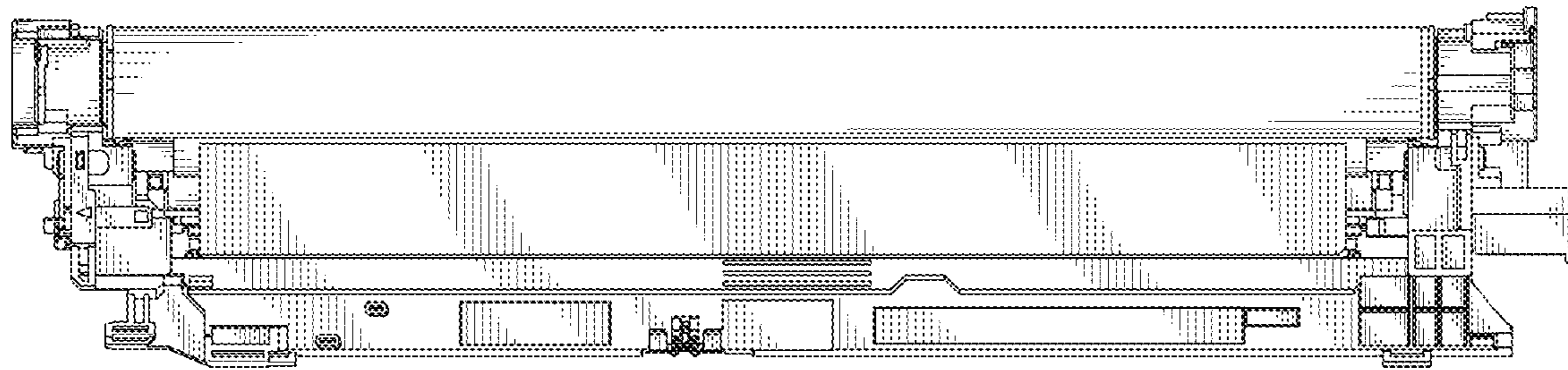
U.S. PATENT DOCUMENTS

D845,384 S 4/2019 Oguma  
2009/0148194 A1 6/2009 Yuen

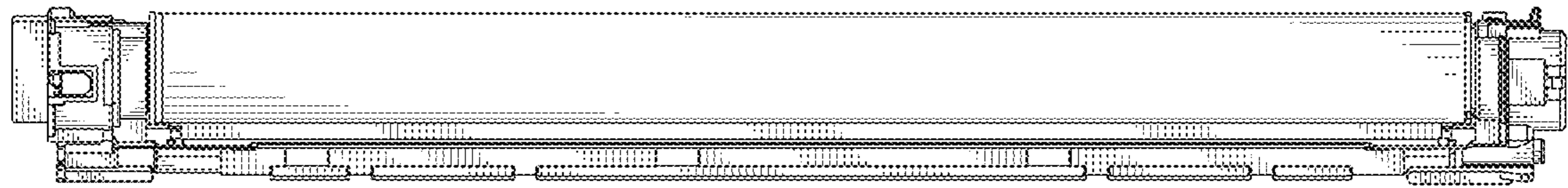
\* cited by examiner



*FIG. 1*

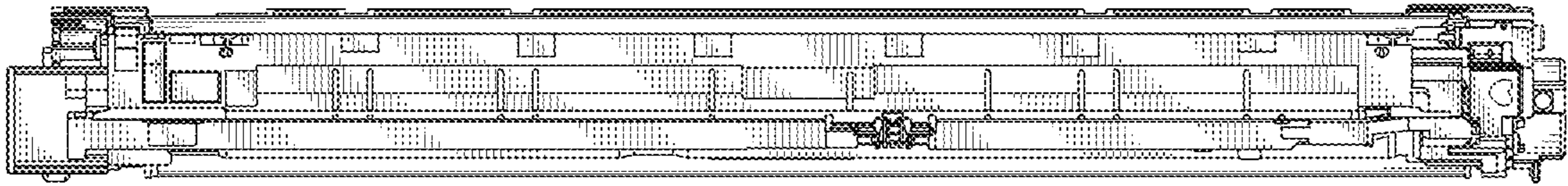


*FIG. 2*



*FIG. 3*





*FIG. 4*

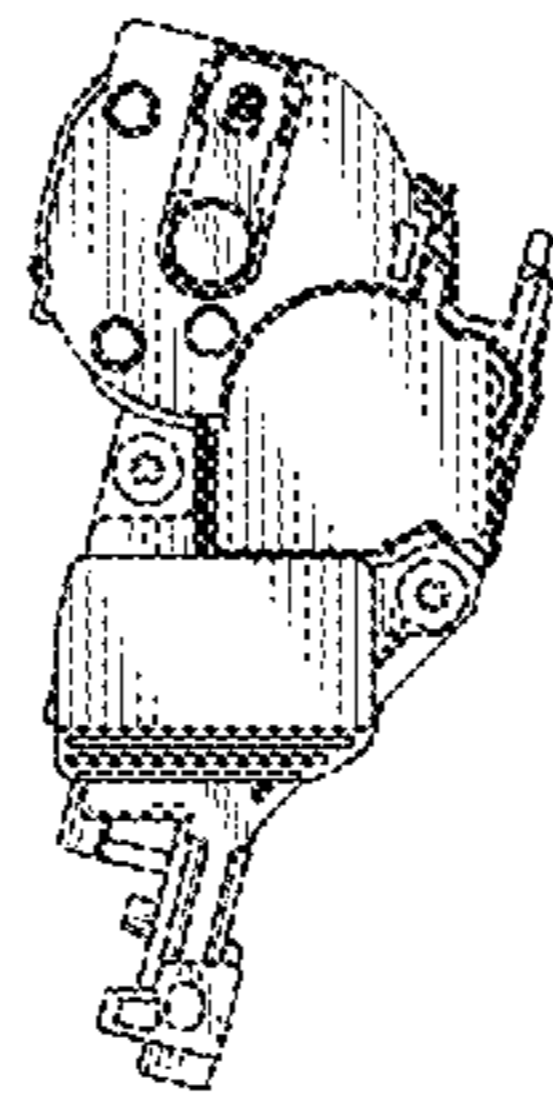
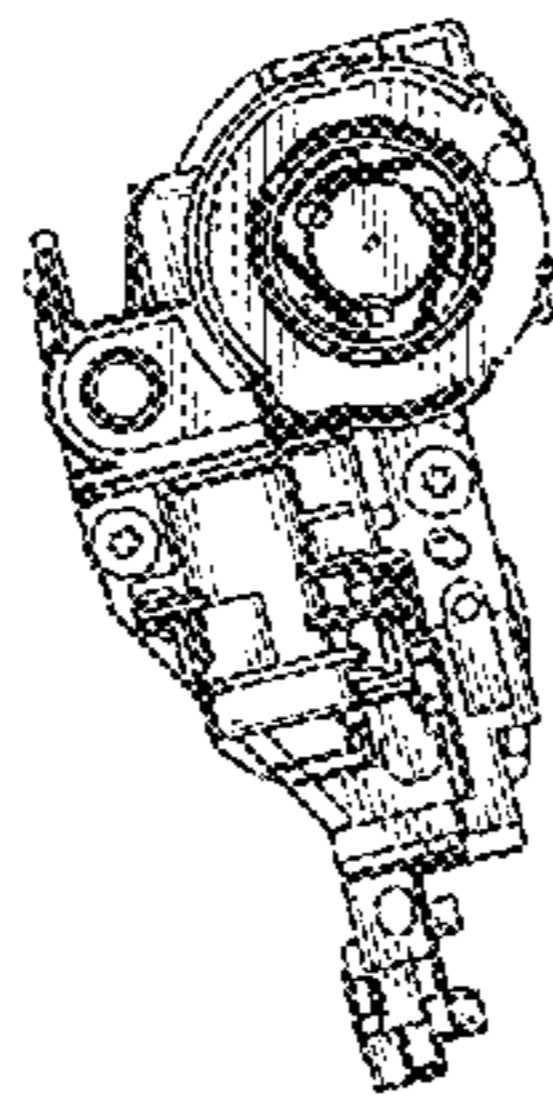


FIG. 5



*FIG. 6*



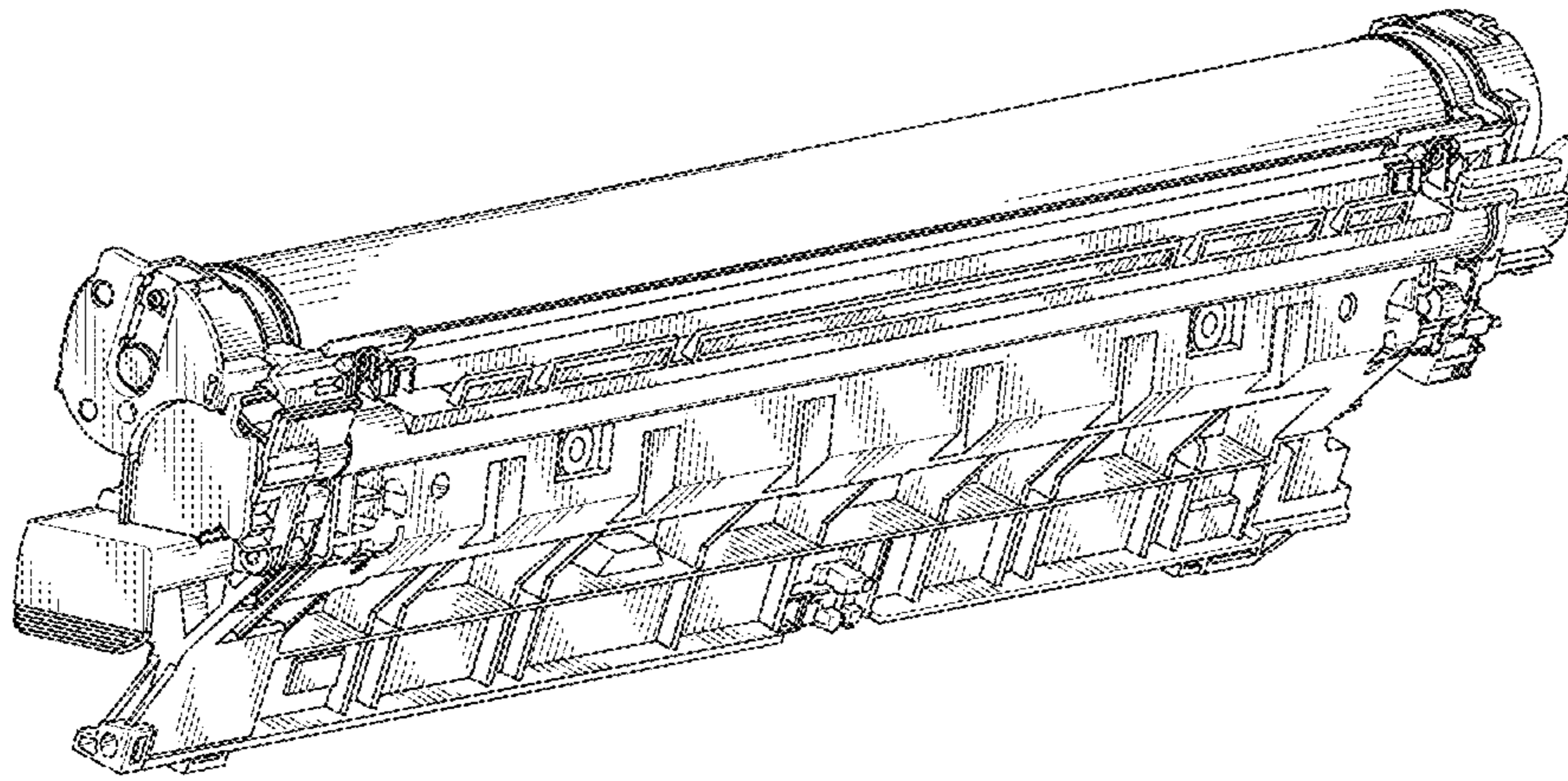


FIG. 7

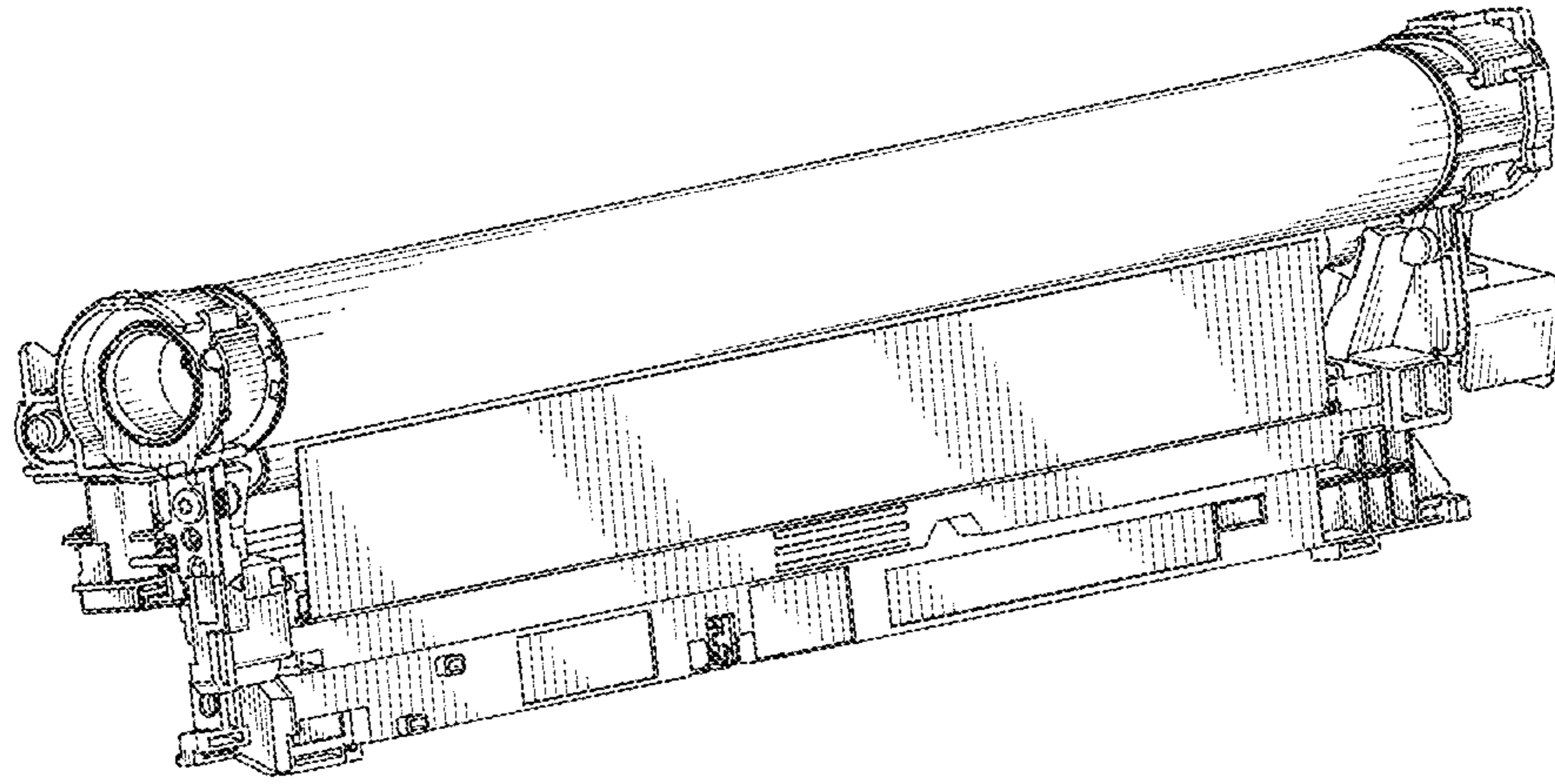


FIG. 8

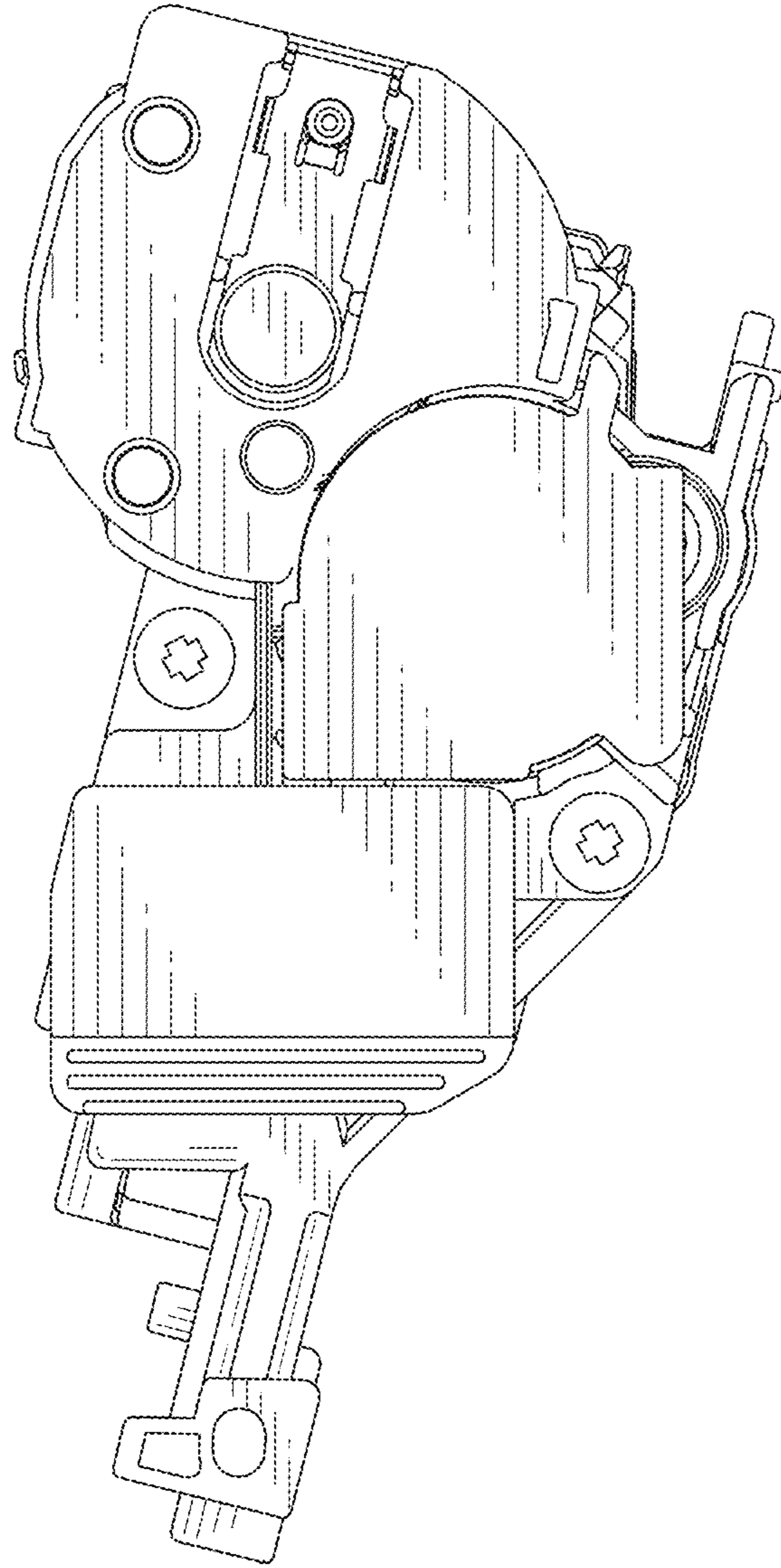


FIG. 9

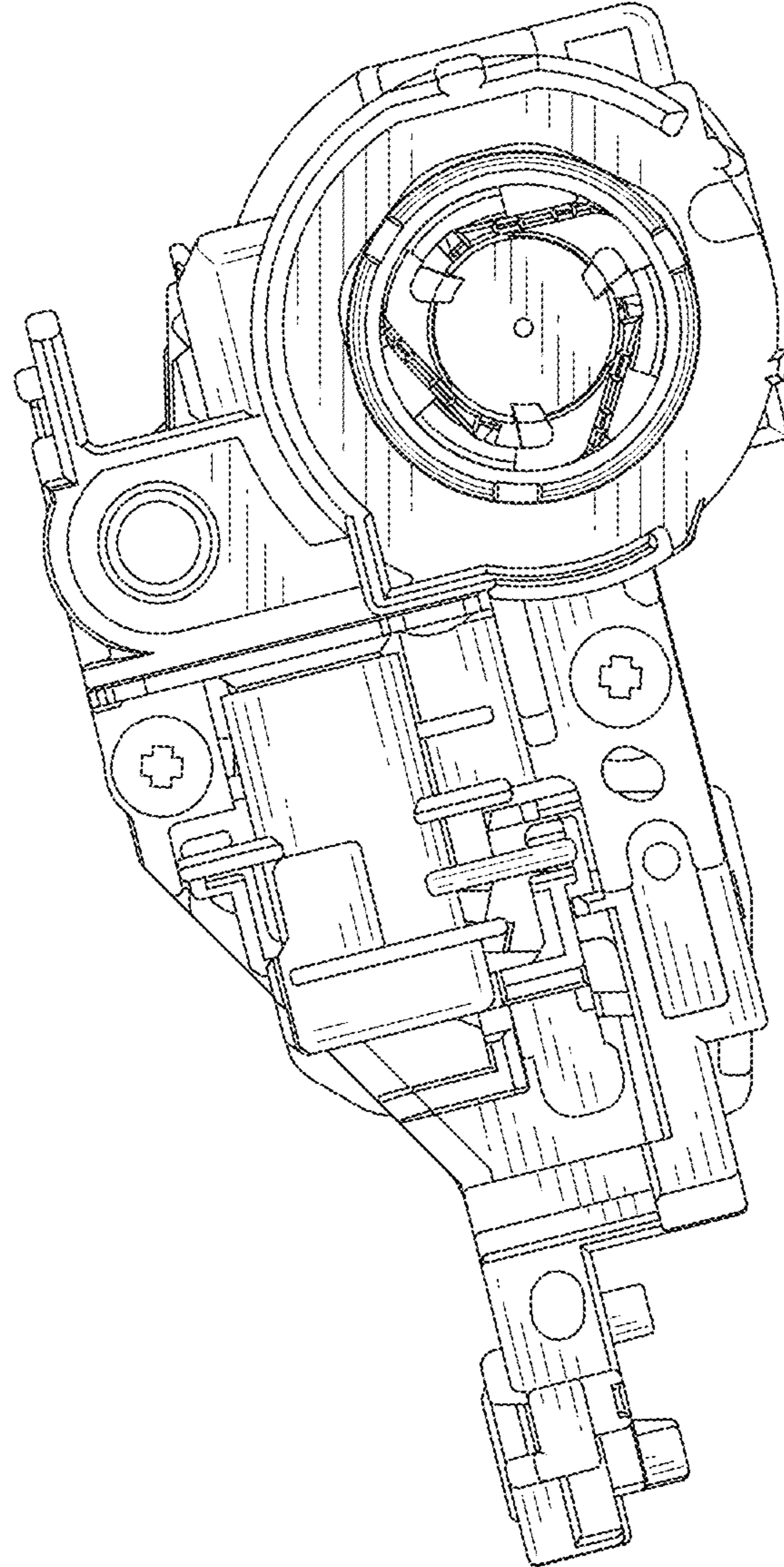


FIG. 10