



US00D907699S

(12) **United States Design Patent** (10) **Patent No.:** **US D907,699 S**  
**Tanabe et al.** (45) **Date of Patent:** **\*\* Jan. 12, 2021**

(54) **PROCESS CARTRIDGE FOR IMAGE FORMING APPARATUS**

(56) **References Cited**

- (71) Applicant: **CANON KABUSHIKI KAISHA**,  
Tokyo (JP)
- (72) Inventors: **Masato Tanabe**, Tokyo (JP); **Kazutaka Sueshige**, Tokyo (JP); **Tsukasa Abe**,  
Tokyo (JP)
- (73) Assignee: **Canon Kabushiki Kaisha**, Tokyo (JP)
- (\*\*) Term: **15 Years**
- (21) Appl. No.: **29/697,471**
- (22) Filed: **Jul. 9, 2019**

U.S. PATENT DOCUMENTS

D378,830 S	4/1997	Kim	
D379,829 S	6/1997	Hayashi	
D692,945 S	11/2013	Noh	
D693,399 S	11/2013	Sim	
D706,339 S	6/2014	Choi	
D752,136 S	3/2016	Koido	
D765,164 S	8/2016	Park	
D779,589 S	2/2017	Moon	
D791,865 S	7/2017	Yoshii	
D798,948 S	10/2017	Toba	
D798,949 S	10/2017	Toba	
D832,339 S	10/2018	Toba	
D832,340 S	* 10/2018	Yang	D18/43
D833,519 S	* 11/2018	Yang	D18/43
D833,520 S	* 11/2018	Yang	D18/43
D843,443 S	3/2019	Kawai	

(Continued)

**Related U.S. Application Data**

(62) Division of application No. 35/505,401, filed on Feb. 1, 2018 (U.S. filing date under 35 U.S.C. 384), and having an international filing date of Feb. 1, 2018, now Pat. No. Des. 881,986.

*Primary Examiner* — Richard E Chilcot

(74) *Attorney, Agent, or Firm* — Venable LLP

(30) **Foreign Application Priority Data**

Aug. 28, 2017 (JP) ..... 2017-018368

(51) **LOC (13) Cl.** ..... **16-03**

(52) **U.S. Cl.**  
USPC ..... **D18/43**  
CPC ..... **G03G 15/0894** (2013.01)

(58) **Field of Classification Search**  
USPC ..... D18/40-45, 56  
CPC ..... G03G 15/0894; G03G 15/0896; G03G 15/0898; G03G 21/1661; G03G 21/1666; G03G 21/1671; G03G 21/1676; G03G 21/168; G03G 21/1685; G03G 21/169; G03G 21/1695; G03G 21/18; G03G 21/1803; G03G 21/1807; G03G 15/0868; G03G 15/087; G03G 15/0872; G03G 15/0874; G03G 15/0875; G03G 15/0877

See application file for complete search history.

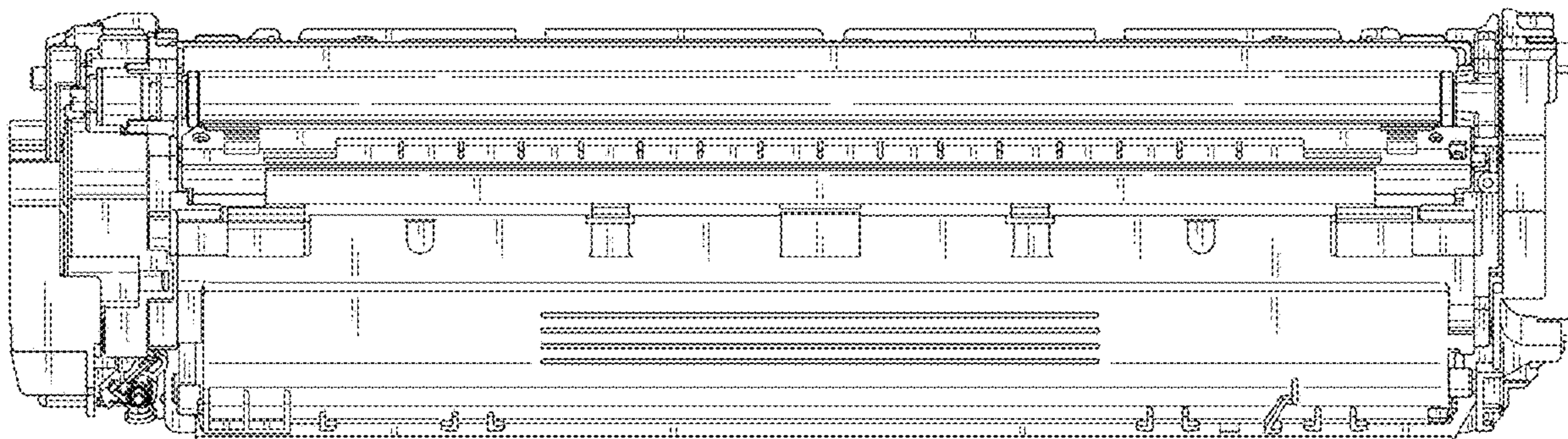
(57) **CLAIM**

The ornamental design for a process cartridge for image forming apparatus, as shown and described.

**DESCRIPTION**

- FIG. 1 : Front  
 FIG. 2 : Back  
 FIG. 3 : Top  
 FIG. 4 : Bottom  
 FIG. 5 : Left  
 FIG. 6 : Right  
 FIG. 7 : Perspective  
 FIG. 8 : Perspective  
 FIG. 9 : Enlarged view of FIG. 5; and,  
 FIG. 10 : Enlarged view of FIG. 6.

**1 Claim, 10 Drawing Sheets**



(56)

**References Cited**

U.S. PATENT DOCUMENTS

D845,384 S 4/2019 Oguma  
2009/0148194 A1 6/2009 Yuen

\* cited by examiner

FIG. 1

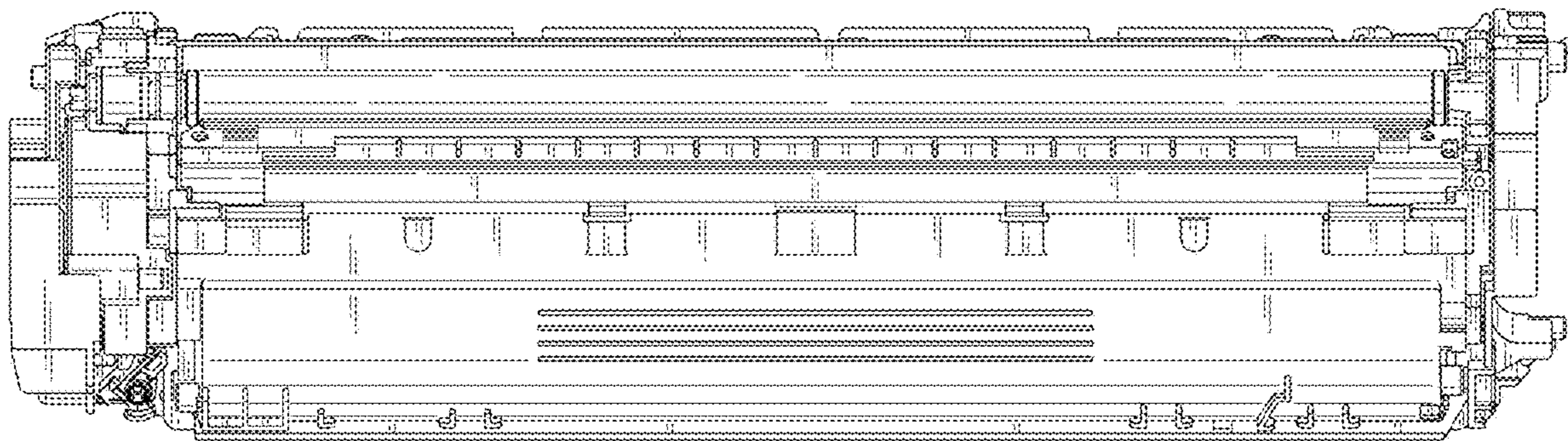


FIG. 2

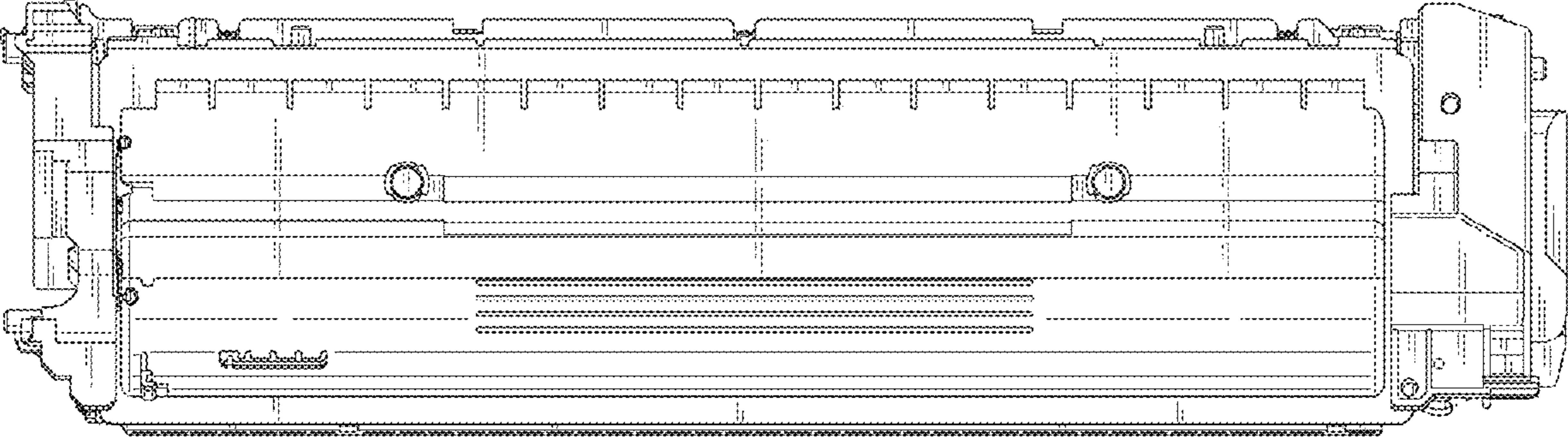


FIG. 3

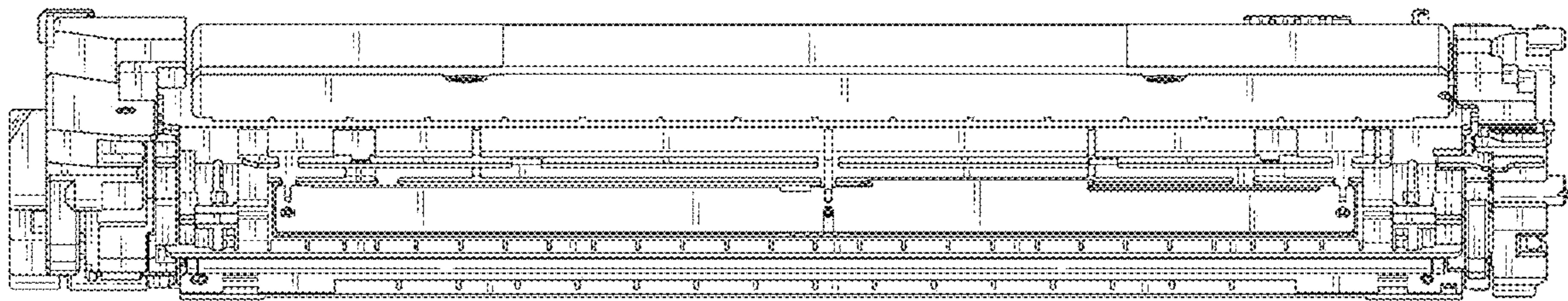


FIG. 4

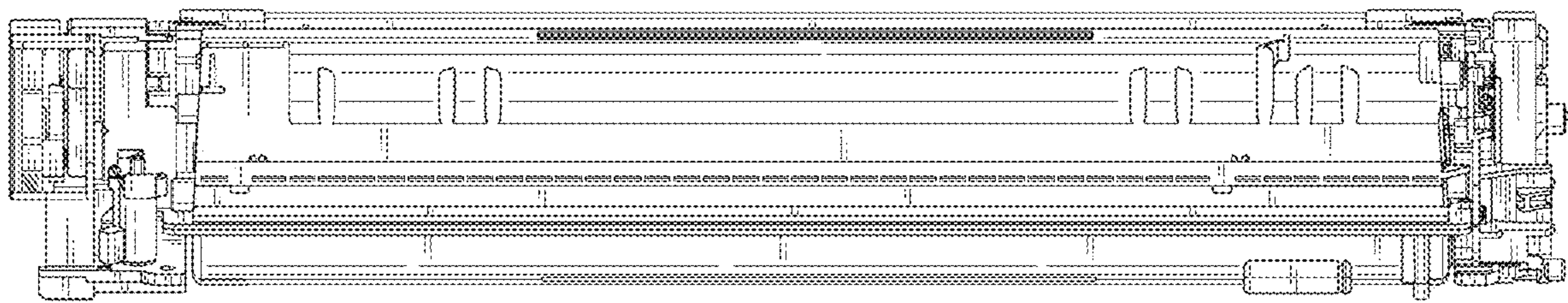


FIG. 5

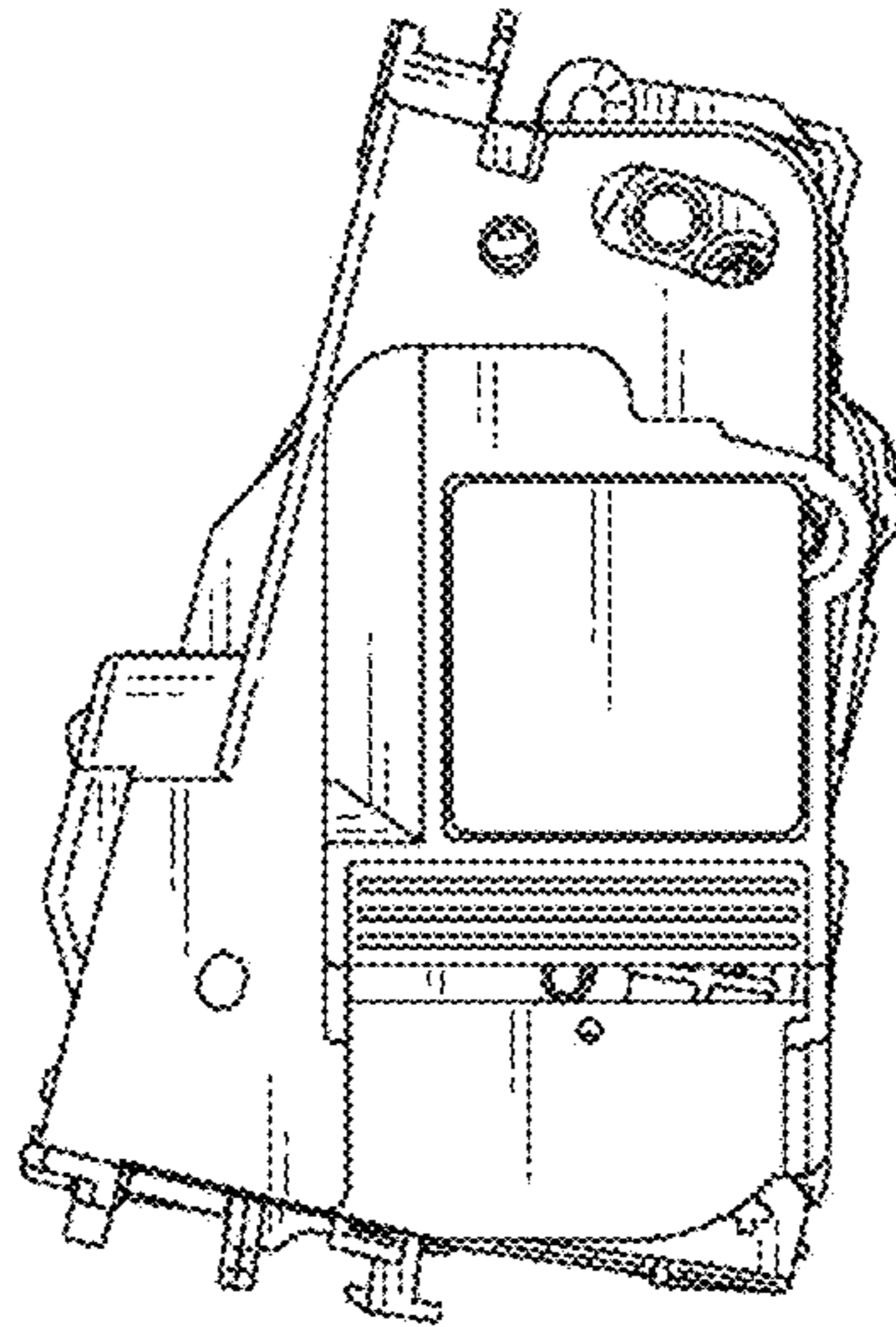


FIG. 6

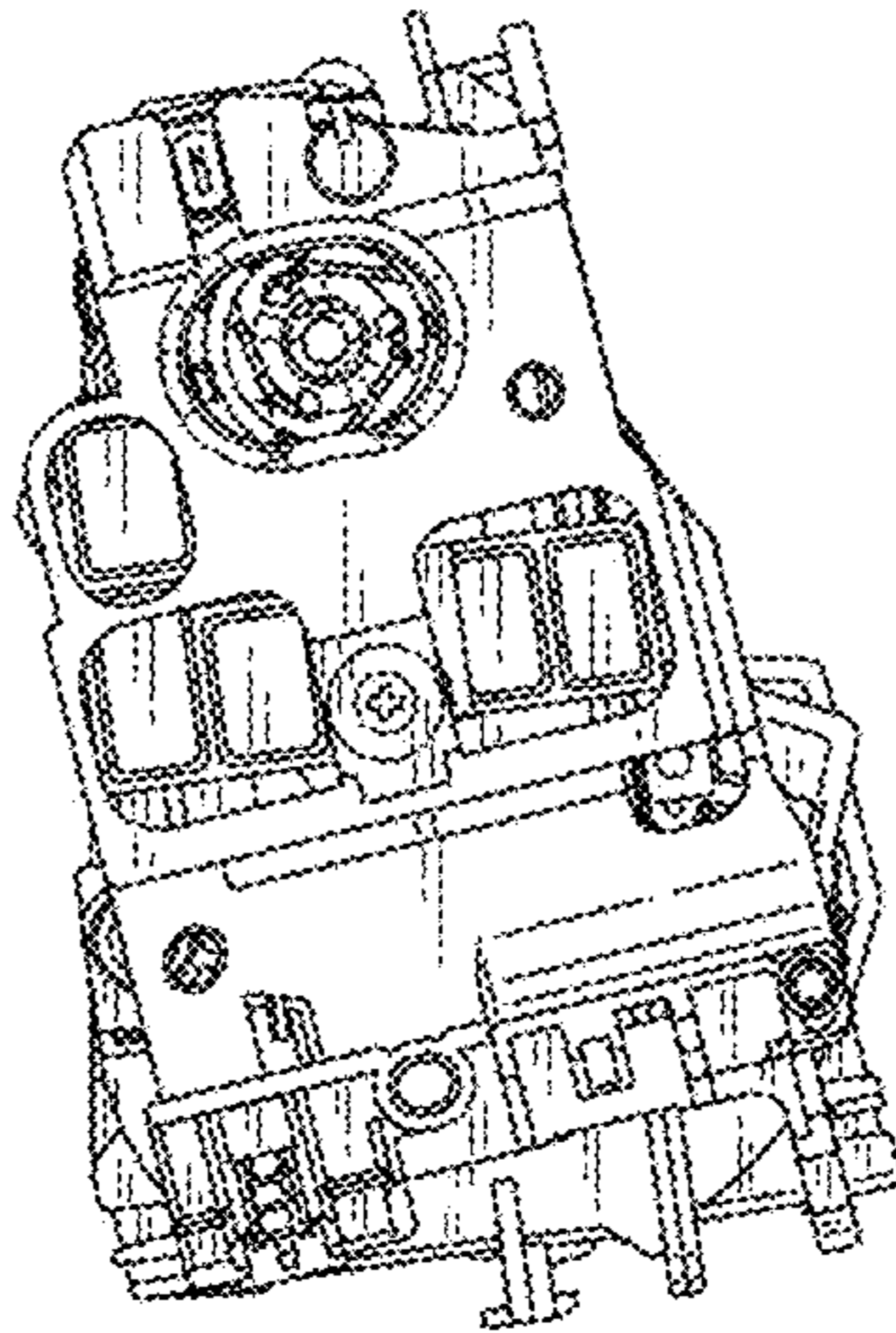




FIG. 7

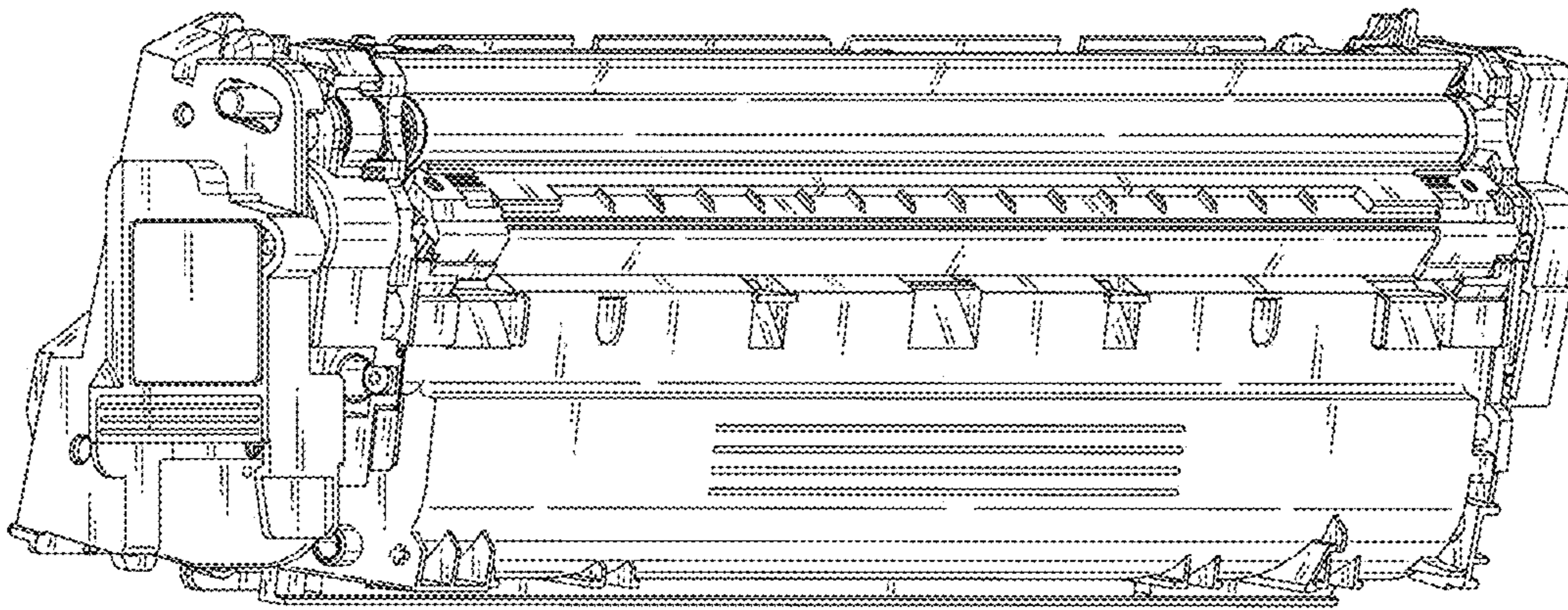


FIG. 8

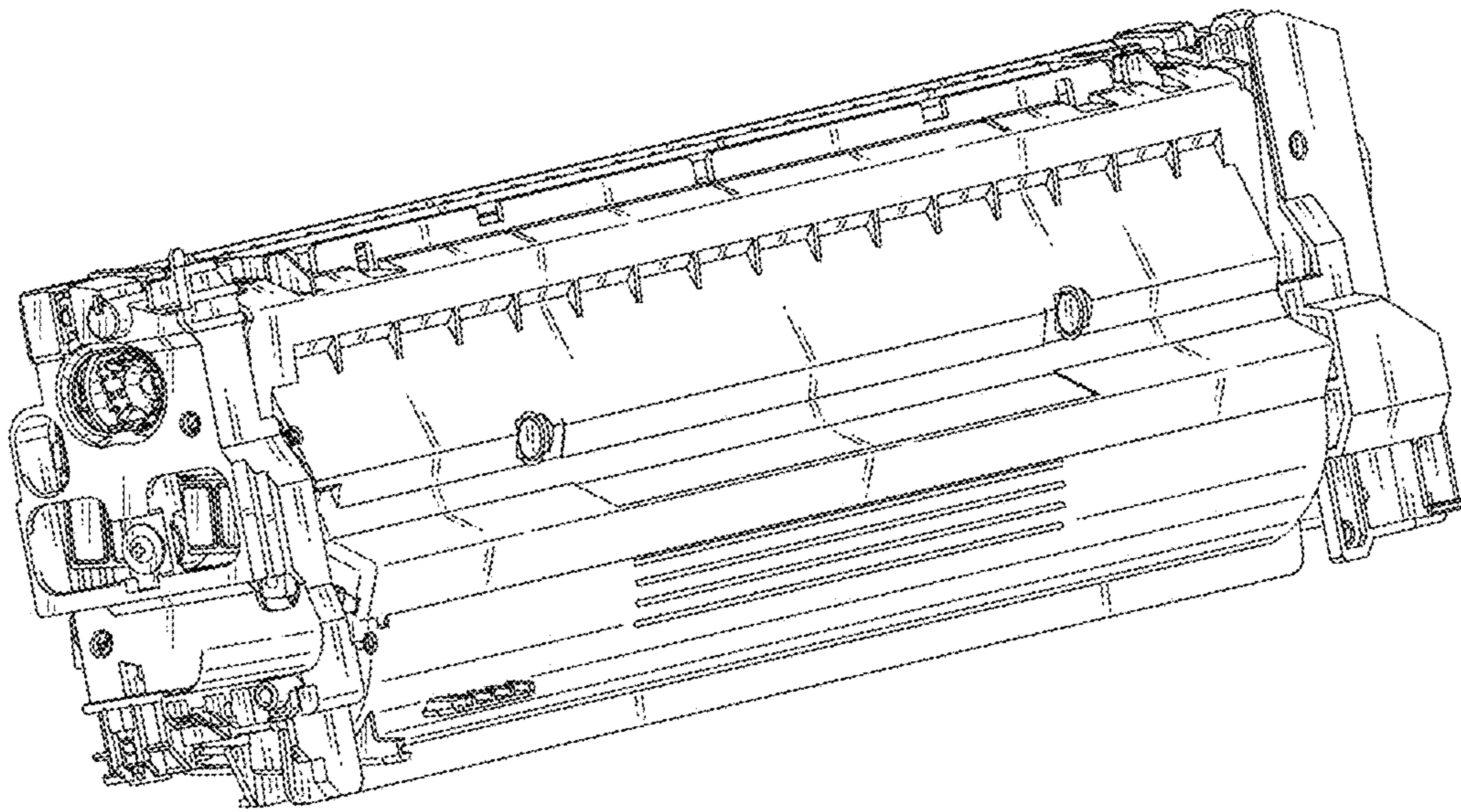


FIG. 9

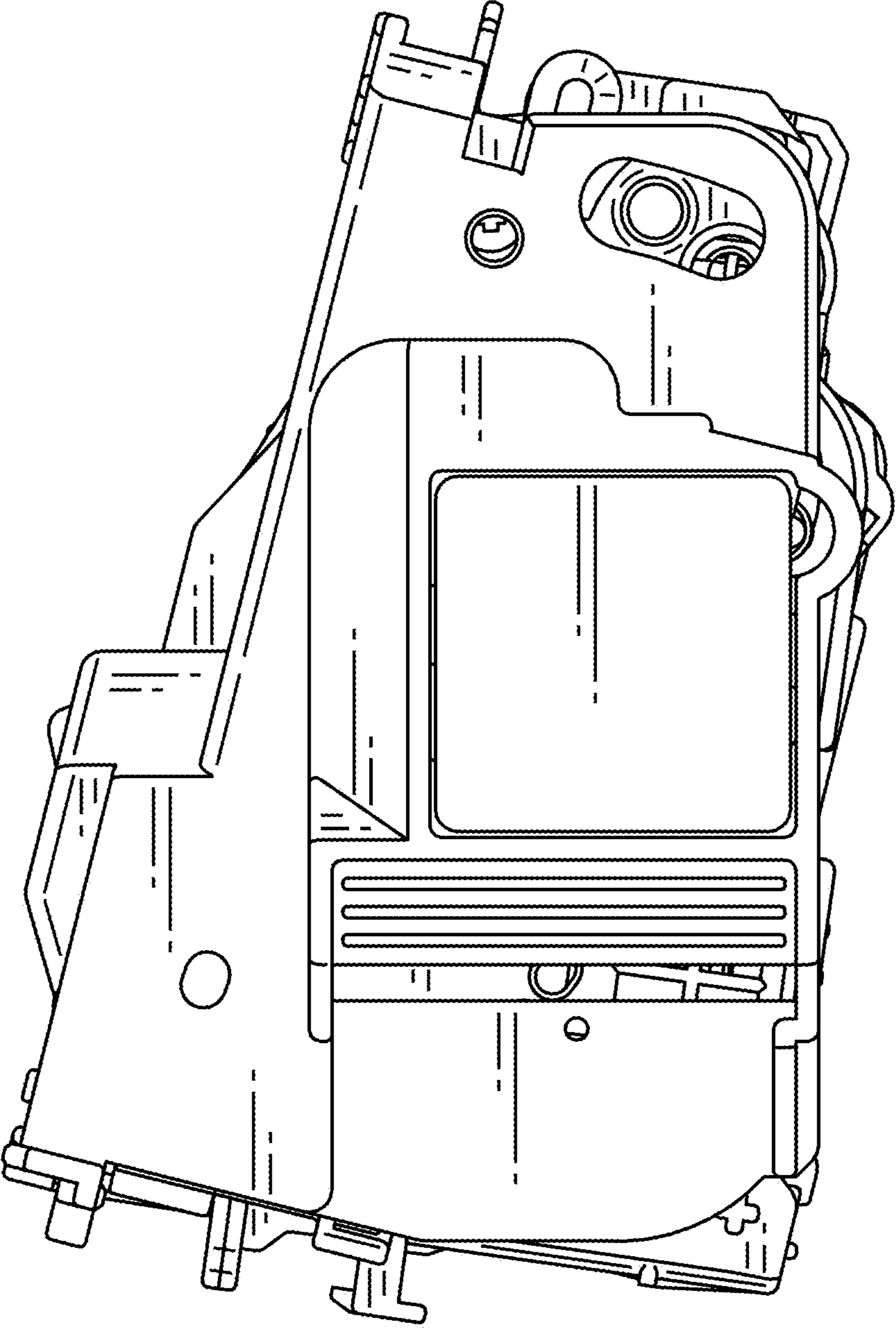


FIG. 10

