



US00D907698S

(12) **United States Design Patent**  
**Moon et al.**

(10) **Patent No.:** **US D907,698 S**  
(45) **Date of Patent:** **\*\* Jan. 12, 2021**

(54) **DEVELOPMENT CARTRIDGE FOR A  
PRINTER**

(71) Applicant: **Hewlett-Packard Development  
Company, L.P.**, Spring, TX (US)

(72) Inventors: **Ji-Won Moon**, Suwon-si (KR);  
**Seung-Gweon Lee**, Suwon-si (KR);  
**Woong-Yong Choi**, Suwon-si (KR);  
**Yong-Kwan Cho**, Suwon-si (KR);  
**Yongil Moon**, Suwon-si (KR);  
**Yongnam Ahn**, Suwon-si (KR); **Jinhwa  
Hong**, Suwon-si (KR); **Seongho Jeong**,  
Suwon-si (KR); **ByeongNo Jeong**,  
Suwon-si (KR); **Sungchul Ahn**,  
Suwon-si (KR); **Woojin Kim**, Suwon-si  
(KR)

(73) Assignee: **HEWLETT-PACKARD  
DEVELOPMENT COMPANY, L.P.**,  
Spring, TX (US)

(\*\*) Term: **15 Years**

(21) Appl. No.: **29/683,022**

(22) Filed: **Mar. 11, 2019**

(51) **LOC (13) Cl.** ..... **16-03**

(52) **U.S. Cl.**  
USPC ..... **D18/43**

(58) **Field of Classification Search**  
USPC ..... D18/40-45, 56

(Continued)

(56) **References Cited**

**U.S. PATENT DOCUMENTS**

D583,860 S \* 12/2008 Kubota ..... D18/43  
D722,336 S \* 2/2015 Suzuki ..... D18/43

(Continued)

**FOREIGN PATENT DOCUMENTS**

JP 2004145303 A \* 5/2004 ..... G03G 21/1832  
RU 00118664 \* 2/2020  
WO WO-2017201174 A1 \* 11/2017 ..... G03G 15/0865

**OTHER PUBLICATIONS**

Dell. Link: [https://www.dell.com/en-uk/work/shop/dell-2330d-dn-2350d-dn-black-use-return-high-capacity-toner-cartridge-6000-pages/apd/593-10335/printers-ink-toner?ref=p13n\\_ena\\_pdp\\_vv&c=uk&cs=ukbsdt1&l=en&s=bsd#polaris-pd](https://www.dell.com/en-uk/work/shop/dell-2330d-dn-2350d-dn-black-use-return-high-capacity-toner-cartridge-6000-pages/apd/593-10335/printers-ink-toner?ref=p13n_ena_pdp_vv&c=uk&cs=ukbsdt1&l=en&s=bsd#polaris-pd). Visited May 7, 2020. Dell—2330d/dn & 2350d/dn Toner Cartridge. (Year: 2020).\*

(Continued)

*Primary Examiner* — Lauren D McVey  
(74) *Attorney, Agent, or Firm* — Staas & Halsey LLP

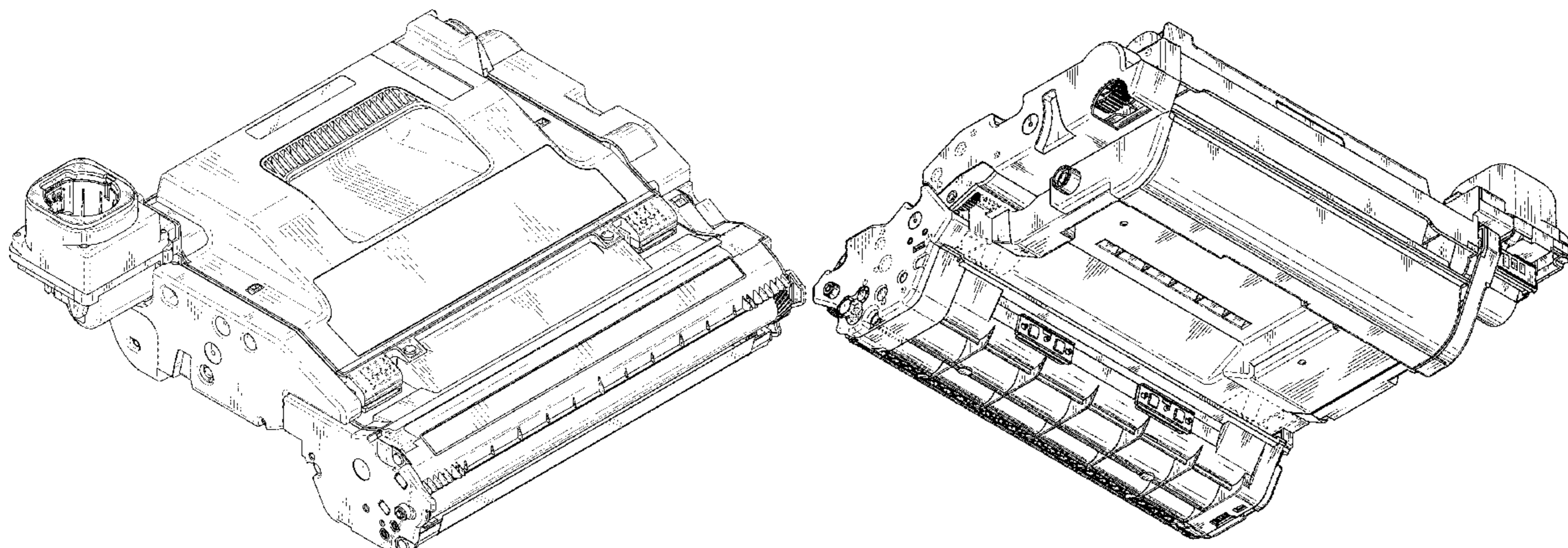
(57) **CLAIM**

We claim the ornamental design for a development cartridge for a printer, as shown and described.

**DESCRIPTION**

FIG. 1 is a front perspective view of a development cartridge for a printer showing our new design;  
FIG. 2 is a front view thereof;  
FIG. 3 is a rear view thereof;  
FIG. 4 is a left-side view thereof including a cross-sectional view of the refill attachment feature taken vertically along line 4-4 in FIG. 2;  
FIG. 5 is a left-side view thereof;  
FIG. 6 is a right-side view thereof;  
FIG. 7 is a top view thereof;  
FIG. 8 is a bottom view thereof;  
FIG. 9 is a bottom front perspective view thereof; and,  
FIG. 10 is a bottom rear perspective view thereof.  
The outermost broken lines immediately adjacent to the full line showing the claimed design represent the bounds of the claimed design while all other broken lines are directed to environment. The broken lines form no part of the claimed design.

**1 Claim, 10 Drawing Sheets**



(58) **Field of Classification Search**

CPC ..... G03G 15/0894; G03G 15/0898; G03G 21/1661; G03G 15/0872; G03G 15/0874; G03G 15/0868; G03G 15/087; G03G 15/0877; G03G 15/0875; G03G 15/0896; G03G 21/18; G03G 21/1803; G03G 21/1807; G03G 21/1666; G03G 21/1671; G03G 21/1676; G03G 21/168; G03G 21/1685; G03G 21/169; G03G 21/1695

See application file for complete search history.

(56) **References Cited**

U.S. PATENT DOCUMENTS

D749,166 S \* 2/2016 Goto ..... D18/43  
D765,770 S \* 9/2016 Ahn ..... D18/43  
D786,968 S \* 5/2017 Uratani ..... D18/56  
D832,340 S \* 10/2018 Yang ..... D18/43  
D833,520 S \* 11/2018 Yang ..... D18/43  
D845,384 S \* 4/2019 Oguma ..... D18/43  
D849,132 S \* 5/2019 Lin ..... D18/43  
D872,175 S \* 1/2020 Lin ..... D18/40  
2009/0162101 A1\* 6/2009 Yoshida ..... G03G 15/0877  
399/254  
2015/0125178 A1\* 5/2015 Sakuma ..... G03G 21/1814  
399/111  
2018/0120761 A1\* 5/2018 Lin ..... G03G 21/1647

OTHER PUBLICATIONS

SunDataSupply.com. Link: <https://www.sundatasupply.com/product-detail?itemid=9176&catid=15337>. Visited May 7, 2020. OEM Konica Minolta magicolor 4750DN/ 4750EN Original Magenta Imaging (drum) Unit, A0WG0EF (IUP12M). (Year: 2020).\*

\* cited by examiner



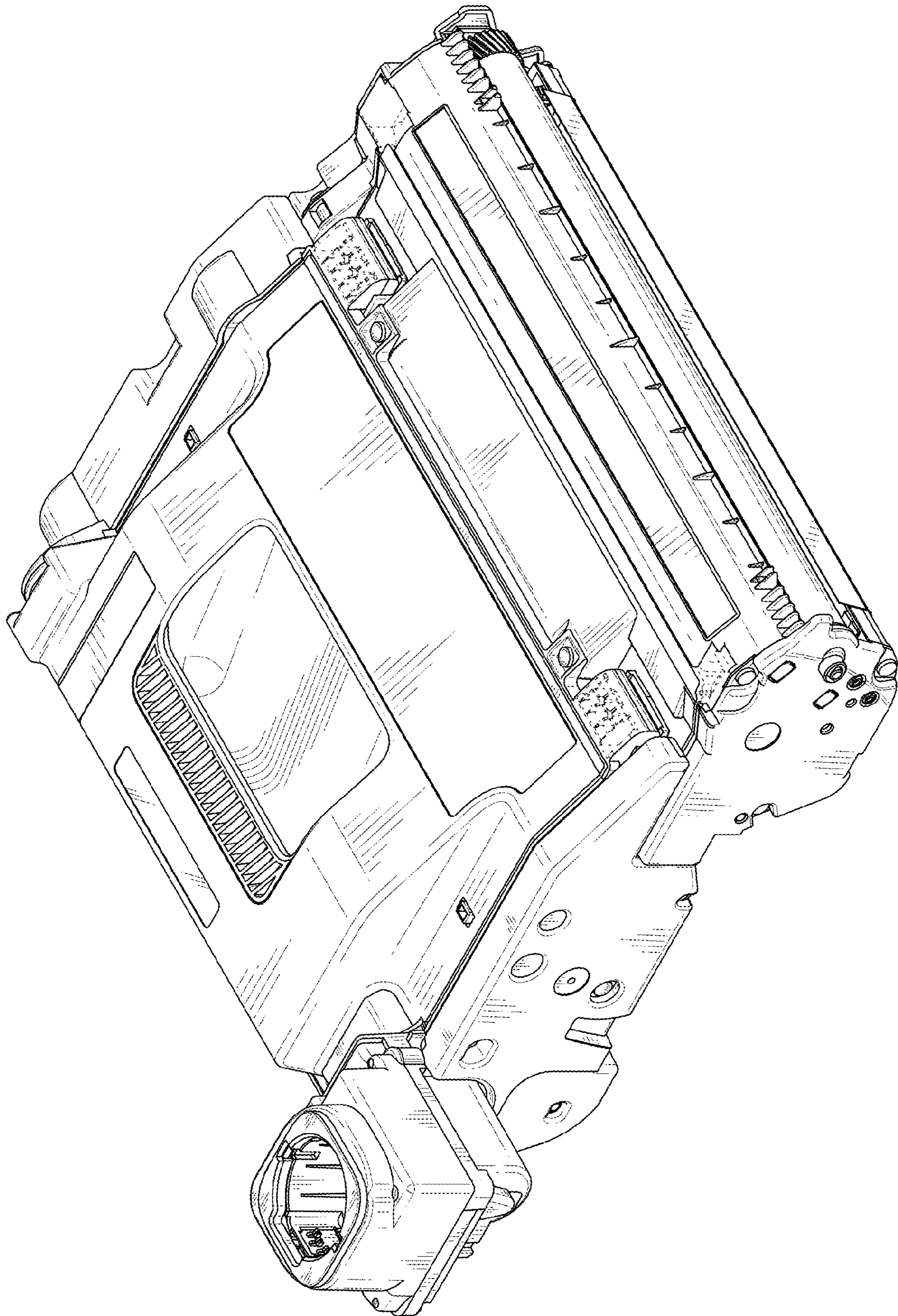


FIG. 1

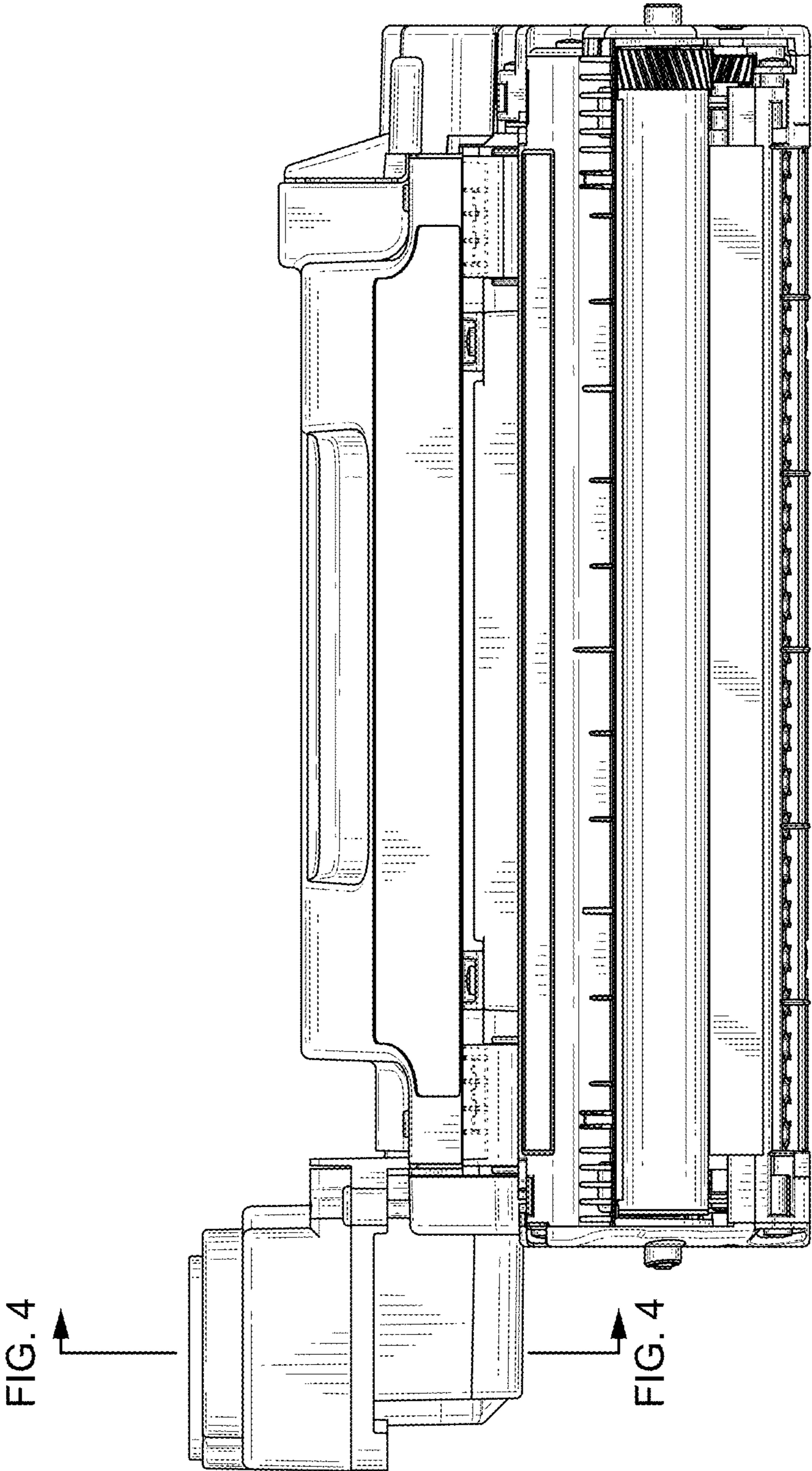


FIG. 2

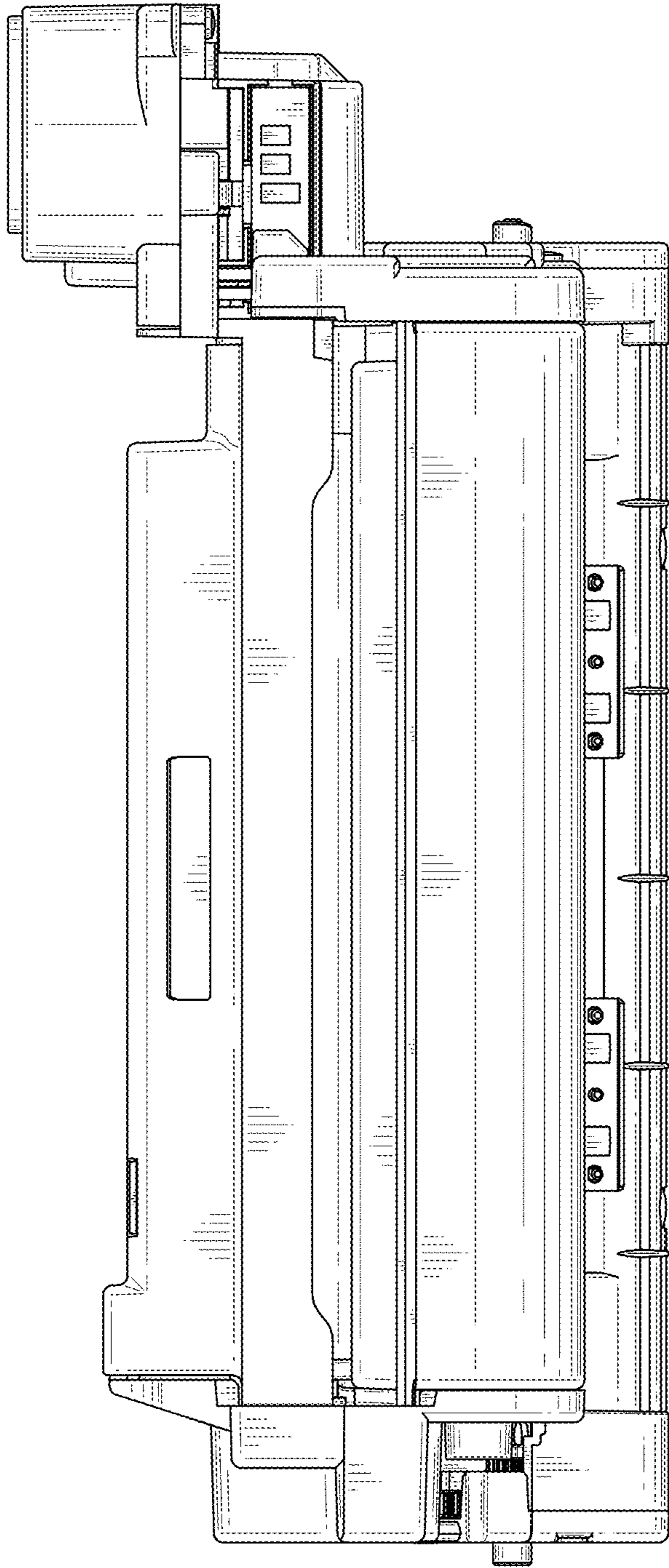


FIG. 3



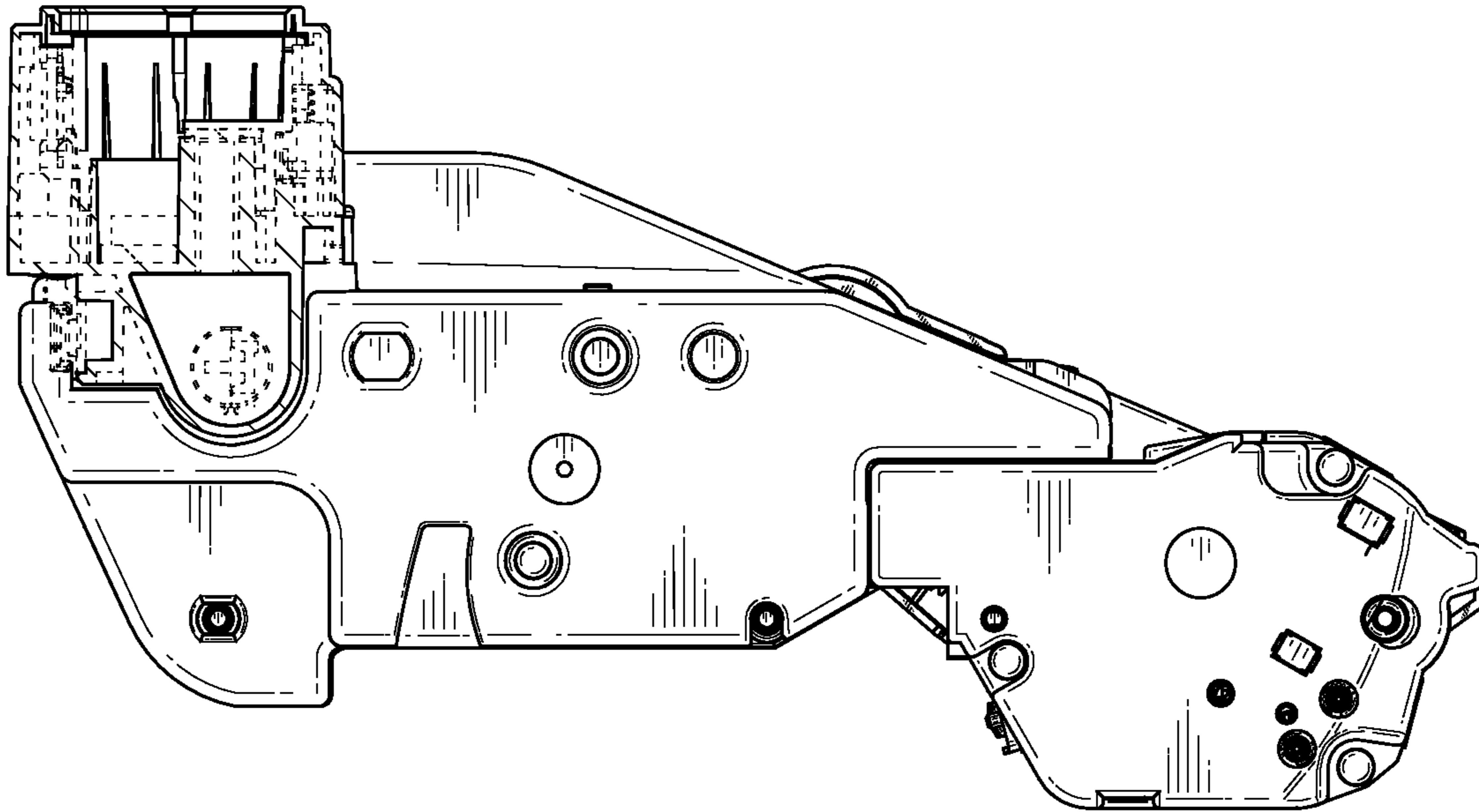


FIG. 4

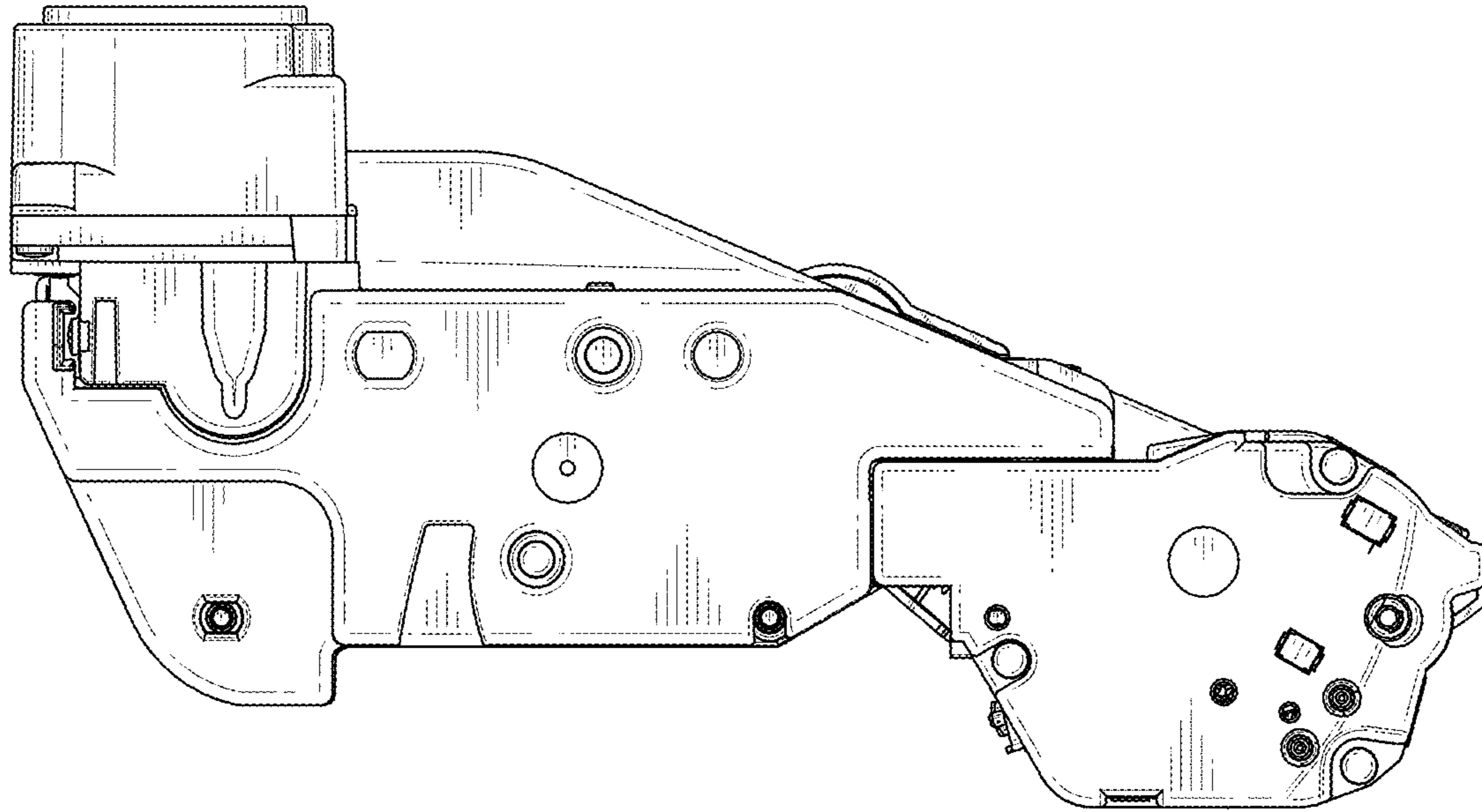


FIG. 5

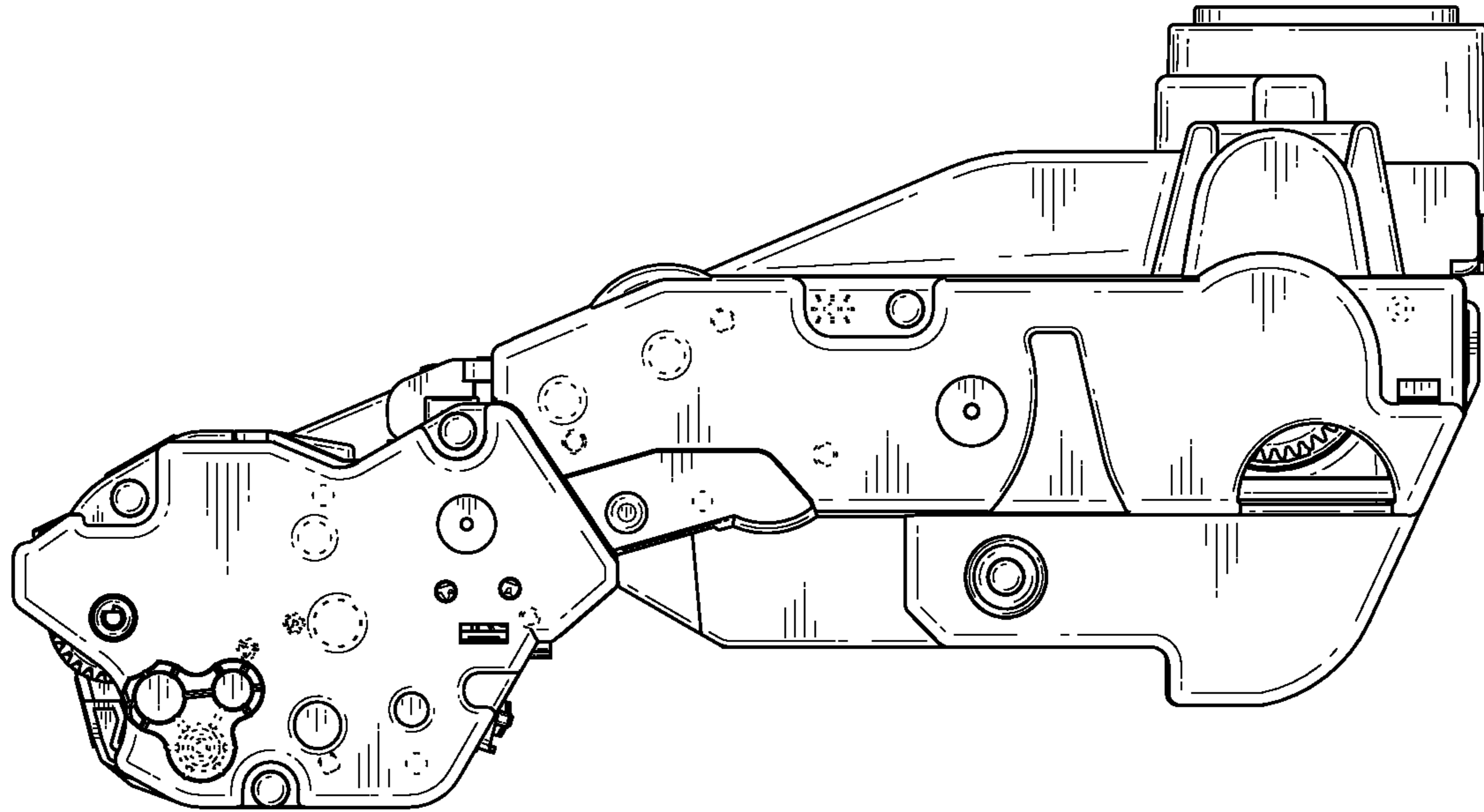


FIG. 6



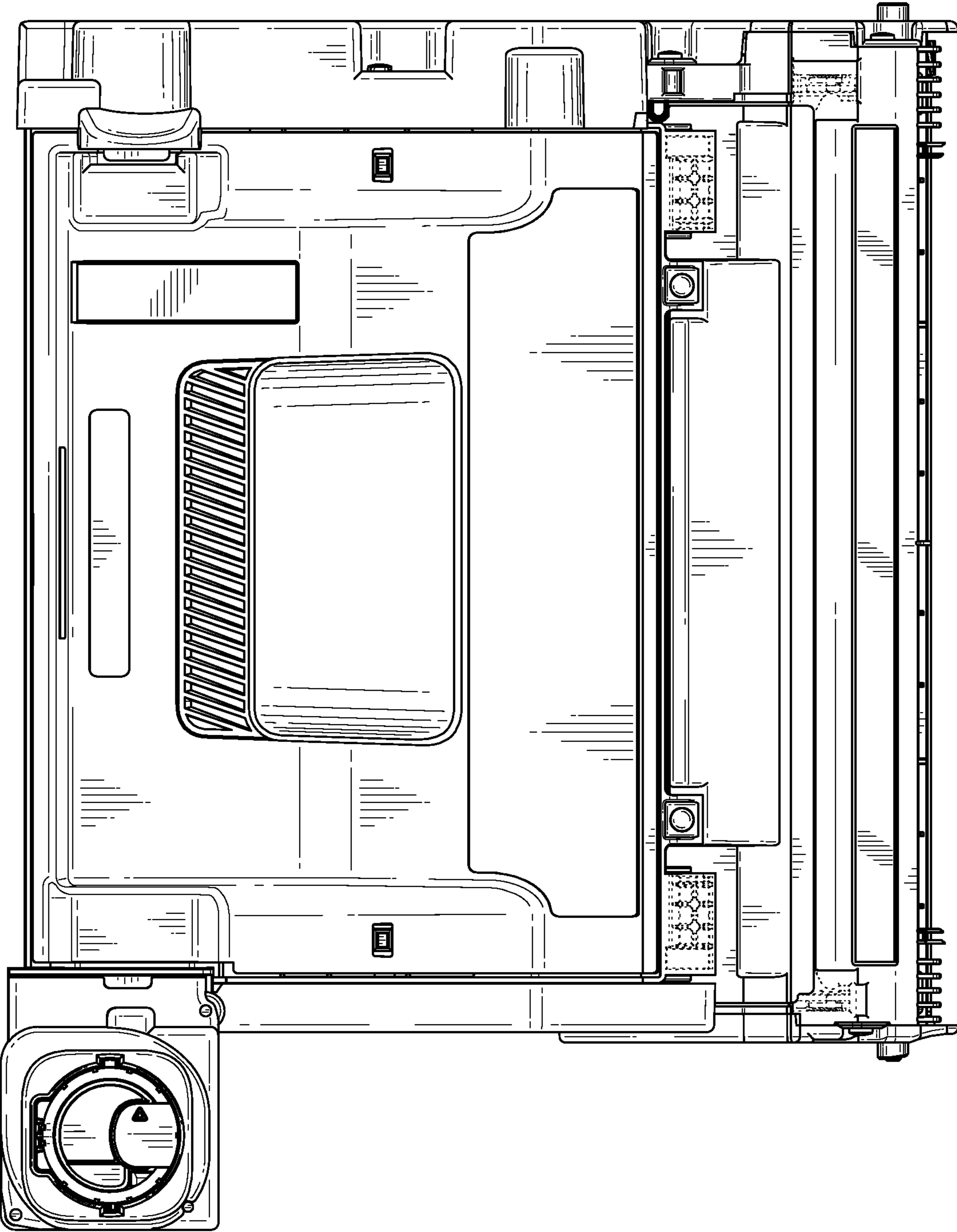


FIG. 7

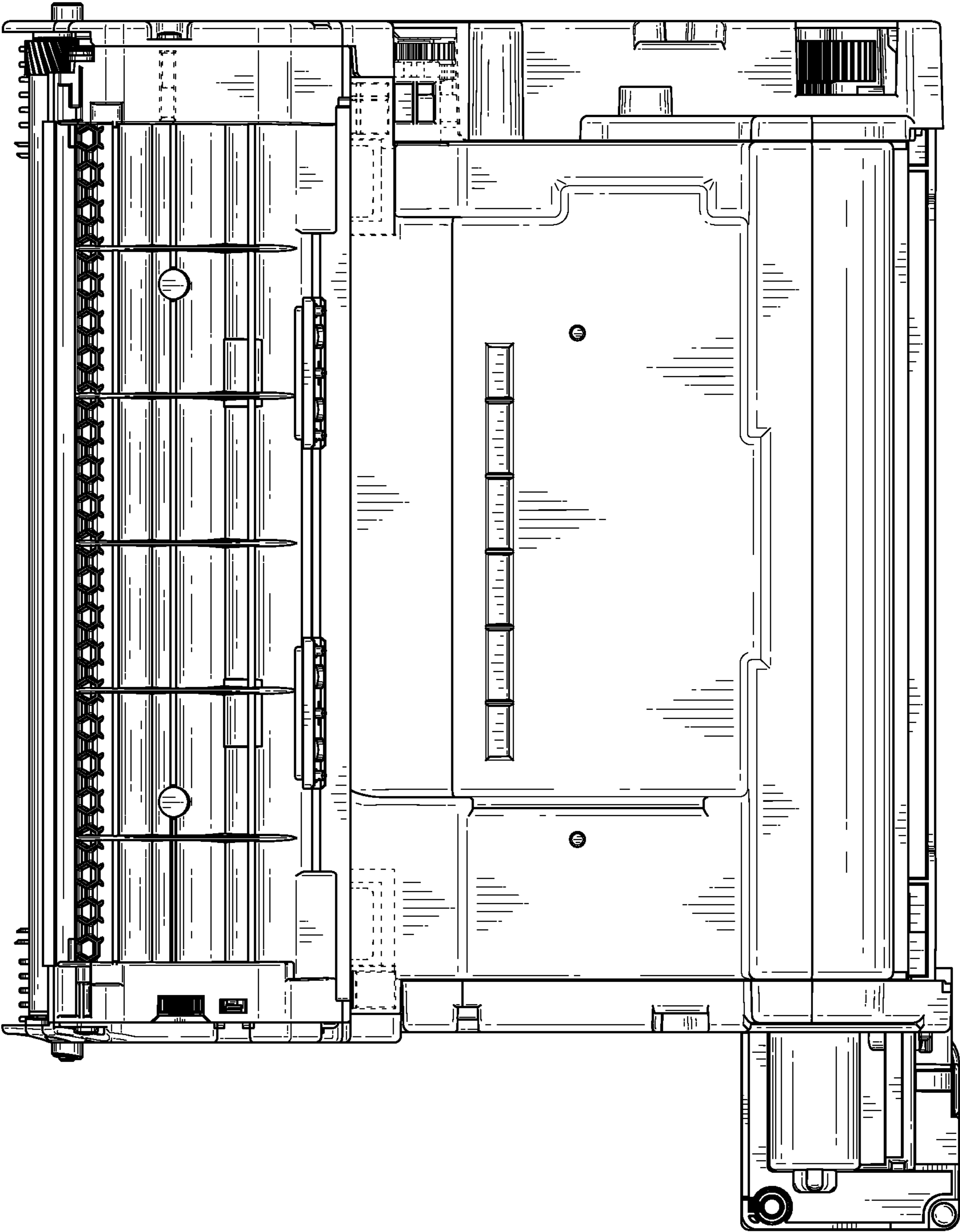


FIG. 8

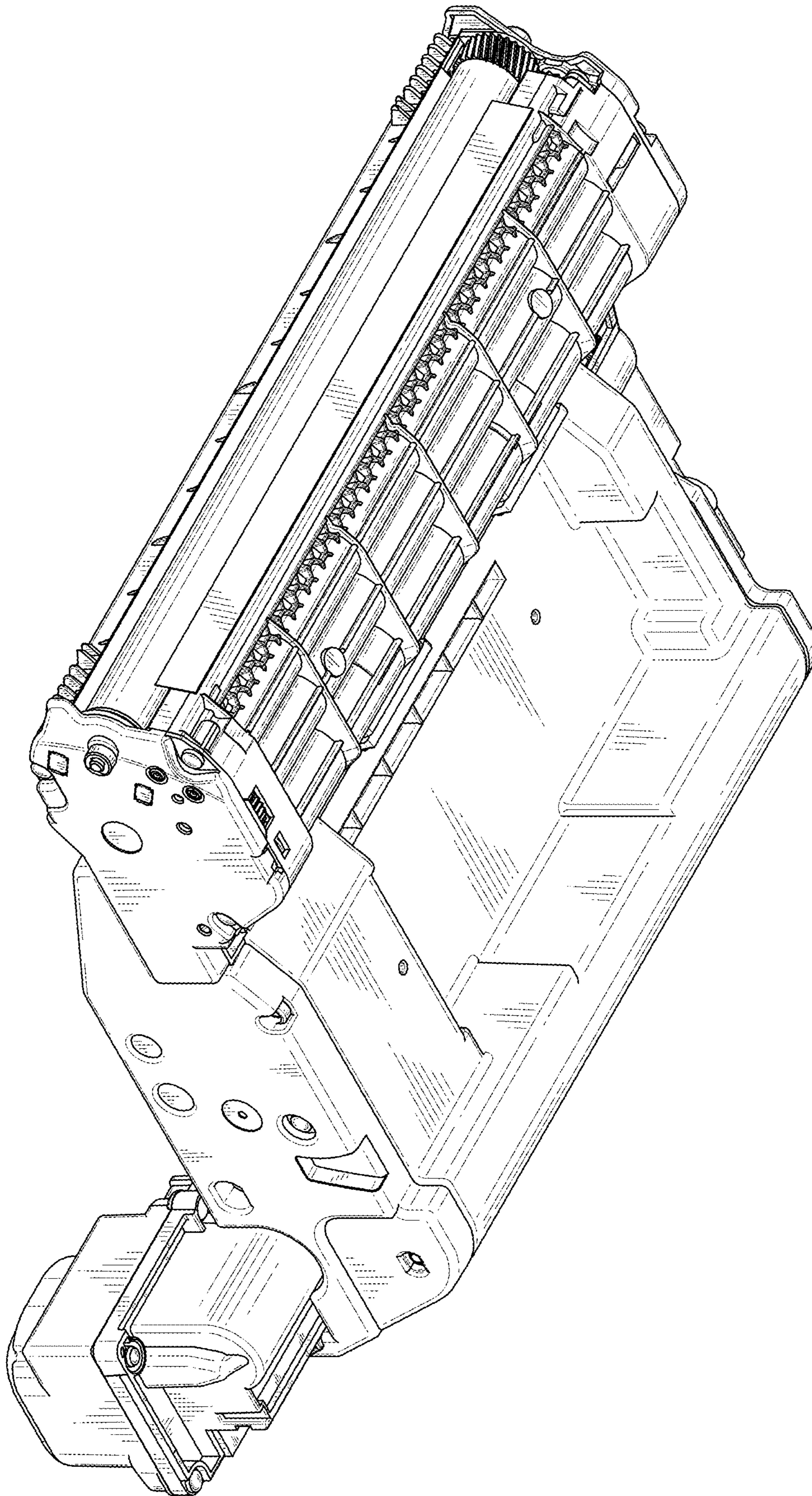


FIG. 9



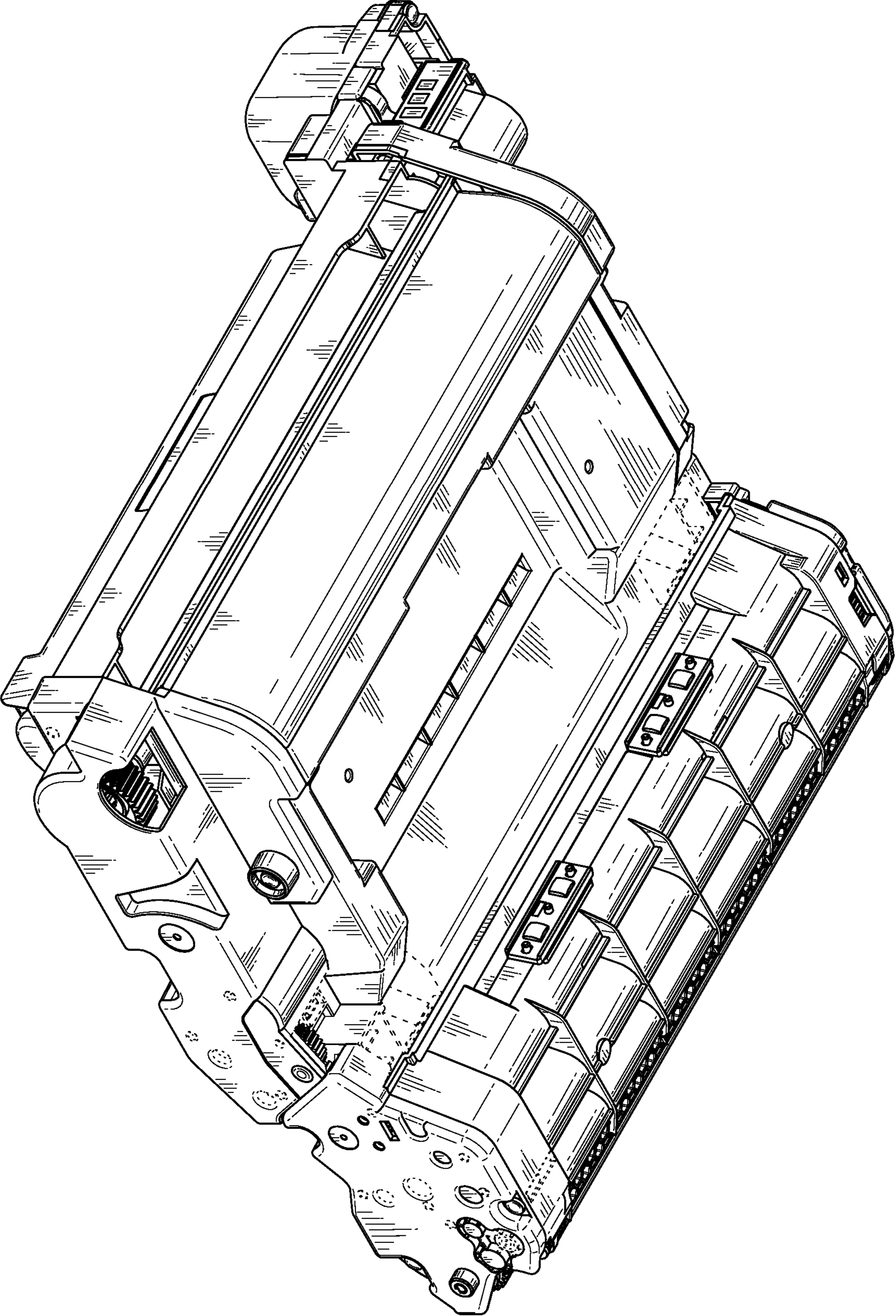


FIG. 10