



US00D907696S

(12) **United States Design Patent** (10) **Patent No.:** **US D907,696 S**
Chau (45) **Date of Patent:** **** Jan. 12, 2021**

(54) **FUEL DISPENSER PAYMENT DEVICE**

(71) Applicant: **Wunchun Chau**, Jacksonville, FL (US)

(72) Inventor: **Wunchun Chau**, Jacksonville, FL (US)

(**) Term: **15 Years**

(21) Appl. No.: **29/672,983**

(22) Filed: **Dec. 11, 2018**

(51) **LOC (13) Cl.** **18-01**

(52) **U.S. Cl.**

USPC **D18/4.6**

(58) **Field of Classification Search**

USPC D18/4.4, 4.5, 4.6, 2, 11, 50, 14, 19-21,
D18/54, 54.1, 99; D10/46, 61, 62, 70,
D10/104.1, 104.2, 106.2, 106.6, 65, 66;
D20/1, 8, 9; D14/496, 299, 338, 339,
D14/341, 346, 383, 385, 386, 440, 507,
D14/137, 138 R, 138 AA, 138 G;
D15/9.1

CPC H04W 8/22; H04W 52/0225; H04W
52/0254; G06Q 20/00; G06Q 20/08;
G06Q 20/20; G07F 7/0873; G07F 7/088;
B67D 7/307; B67D 7/14

See application file for complete search history.

(56) **References Cited**

U.S. PATENT DOCUMENTS

3,233,712	A	*	2/1966	Witman	B67D 7/307
						194/207
D304,198	S	*	10/1989	Long	D15/9.1
D308,858	S	*	6/1990	Tarver	D18/4.6
D308,859	S	*	6/1990	Tarver	D18/4.6
D311,178	S	*	10/1990	Goodner	D18/4.6
D321,172	S	*	10/1991	Moore, IV	D14/389
D342,239	S	*	12/1993	Hermann	D18/4.6
D346,591	S	*	5/1994	Lee	D14/342
D354,276	S	*	1/1995	Wilson	D18/4.6
D356,548	S	*	3/1995	Bottcher	D14/341
D357,495	S	*	4/1995	Skaggs	D14/336

D362,239	S	*	9/1995	Je	D18/4.6
D386,882	S		11/1997	Smith et al.		
D424,098	S	*	5/2000	Kim	D14/375
D428,019	S	*	7/2000	Amron	D14/203.7
D477,030	S	*	7/2003	Kolls	D20/8
D501,473	S	*	2/2005	Nakata	D14/341
D503,172	S	*	3/2005	Izumi	D14/385
D515,092	S	*	2/2006	Wilfong	D14/385
D554,694	S		11/2007	Slinckx		
D637,984	S	*	5/2011	Willard	D14/129
D638,012	S	*	5/2011	Tian	D14/341

(Continued)

OTHER PUBLICATIONS

Payment Terminals. (Design—© Questel) orbit.com. [online PDF] 9 pgs. Print Dates Range from Apr. 5, 2019 through Oct. 8, 2019. [retrieved Feb. 18, 2020] <https://www.orbit.com/export/QPTUJ214/pdf2/05a05779-f211-4a54-86e5-efe40793aef6-190739.pdf>.*

Primary Examiner — Marie D. Fast Horse

(74) *Attorney, Agent, or Firm* — Thomas C. Saitta

(57) **CLAIM**

The ornamental design for a fuel dispenser payment device, as shown and described.

DESCRIPTION

FIG. 1 is a front perspective view of the fuel dispenser payment device;

FIG. 2 is a front view of the device;

FIG. 3 is a rear view of the device;

FIG. 4 is a side view of the device;

FIG. 5 is a side view of the device;

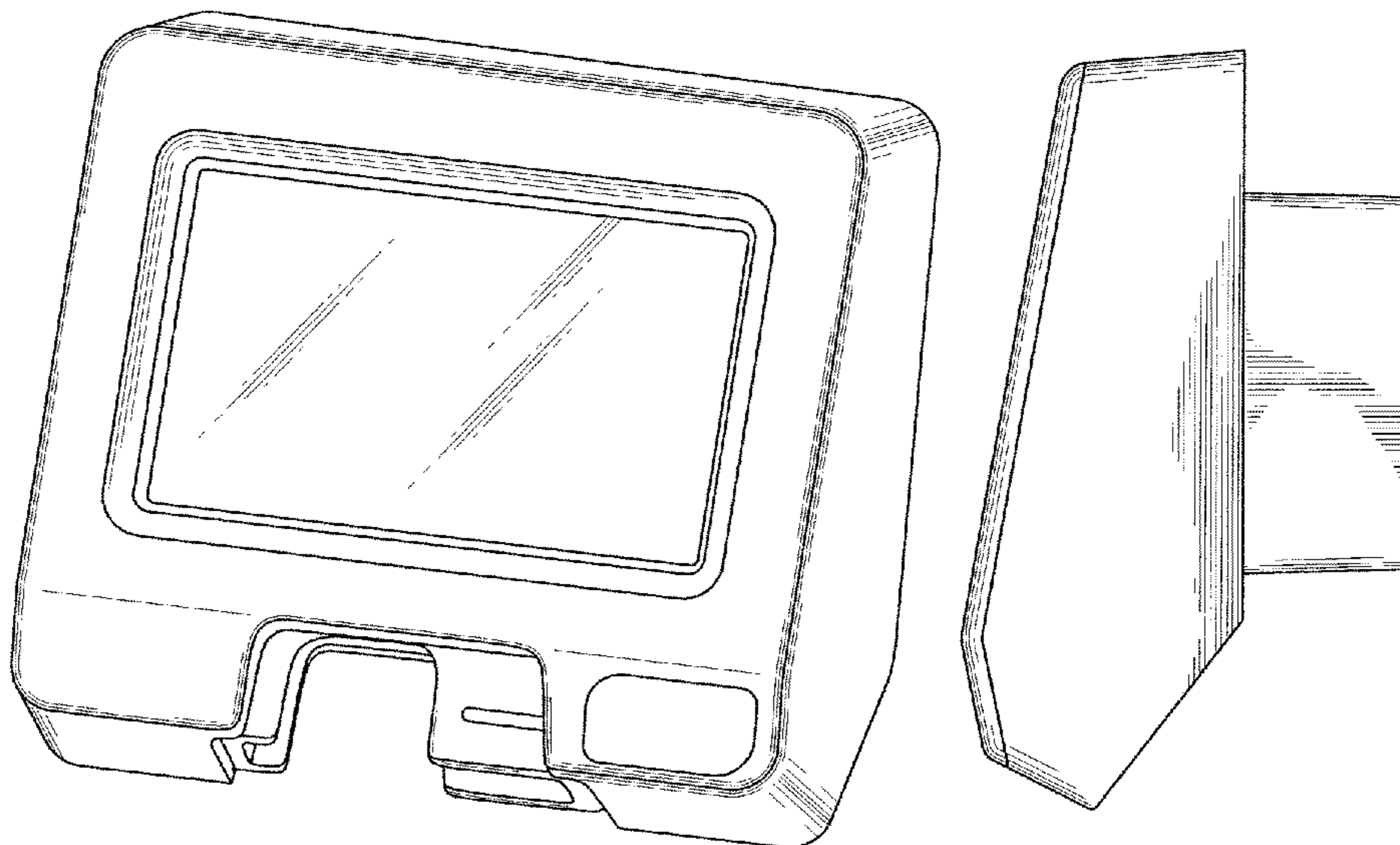
FIG. 6 is a top view of the device; and,

FIG. 7 is a bottom view of the device.

The broken lines in the drawings depict portions of the fuel dispenser payment device that form no part of the claimed design.

The unshaded surfaces shown between the solid lines and the broken lines form no part of the claimed design.

1 Claim, 5 Drawing Sheets



(56)

References Cited

U.S. PATENT DOCUMENTS

D639,801 S * 6/2011 Kuroda D14/307
D640,252 S * 6/2011 Kuroda D14/307
D648,374 S 11/2011 Hidaka
D659,748 S * 5/2012 Helgesson D18/4.6
D672,348 S * 12/2012 Bousfield D14/385
D672,776 S * 12/2012 Bousfield D14/385
D673,952 S * 1/2013 Toda D14/383
D676,900 S * 2/2013 Ohno D18/12.3
D677,714 S * 3/2013 Helgesson D14/900
D679,745 S * 4/2013 Helgesson D18/4.4
D681,717 S * 5/2013 Helgesson D18/4.6
D689,921 S * 9/2013 Branck D18/4.6
D703,311 S * 4/2014 Daly D24/110
D716,369 S 10/2014 Park et al.
D716,370 S 10/2014 Park et al.
8,881,046 B2 11/2014 Carapelli
D723,031 S * 2/2015 Rawal D14/385
D726,182 S * 4/2015 Durham D14/385
D735,343 S * 7/2015 Dorsey D24/186
9,087,427 B2 7/2015 Weston et al.
D762,766 S 8/2016 Bedier et al.
D779,459 S * 2/2017 Schlossberg D14/218
D791,223 S 7/2017 Blanc
D810,817 S * 2/2018 Wang D18/4.6
D813,863 S * 3/2018 Barea D14/341
D818,040 S * 5/2018 Martin D18/56
D829,274 S * 9/2018 Huang D18/4.6
10,181,240 B2 * 1/2019 Fujimoto G07G 1/12
D893,482 S * 8/2020 DeFazio D14/385
2020/0111074 A1 * 4/2020 Chau B67D 7/308

* cited by examiner

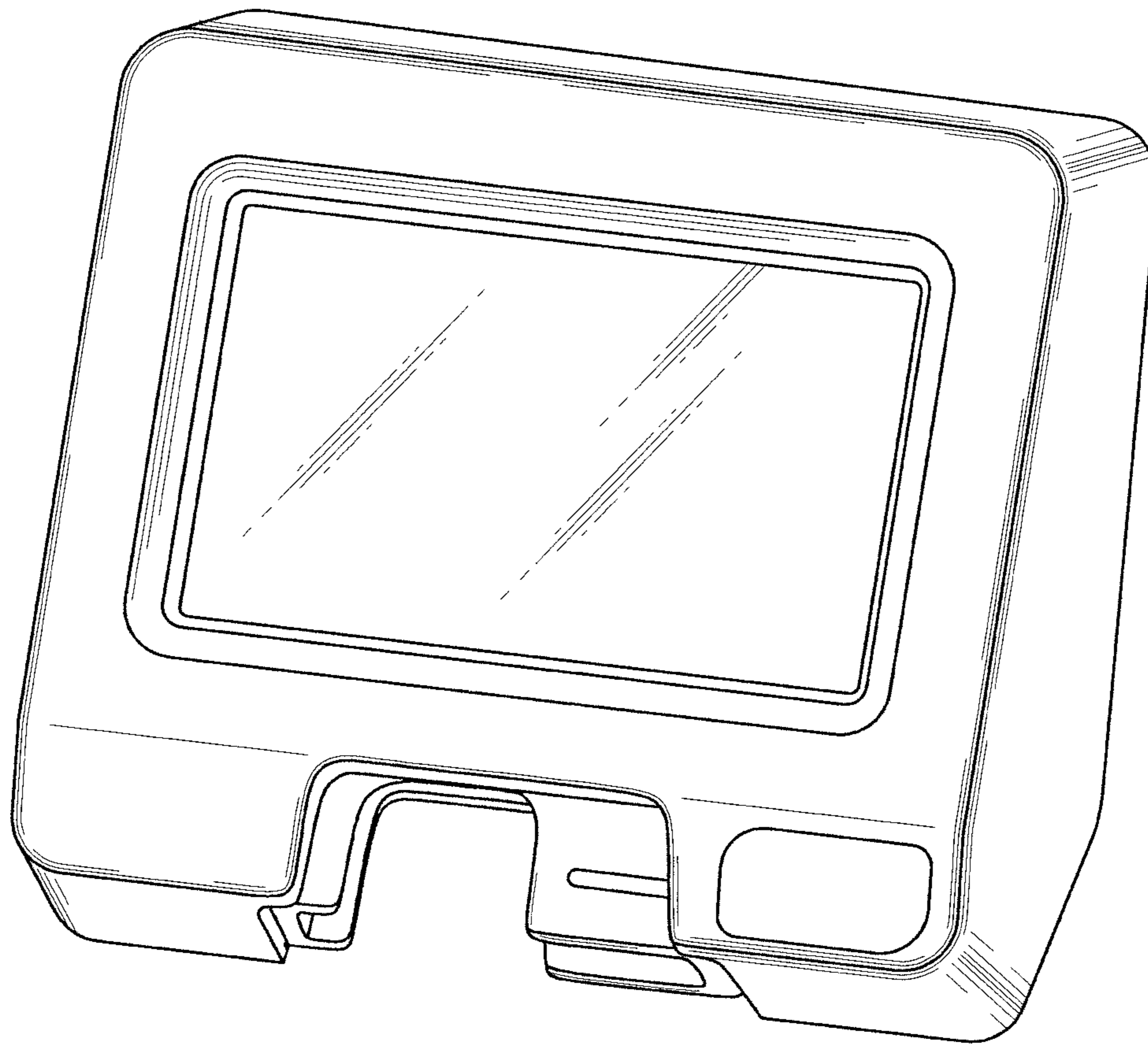


Fig. 1

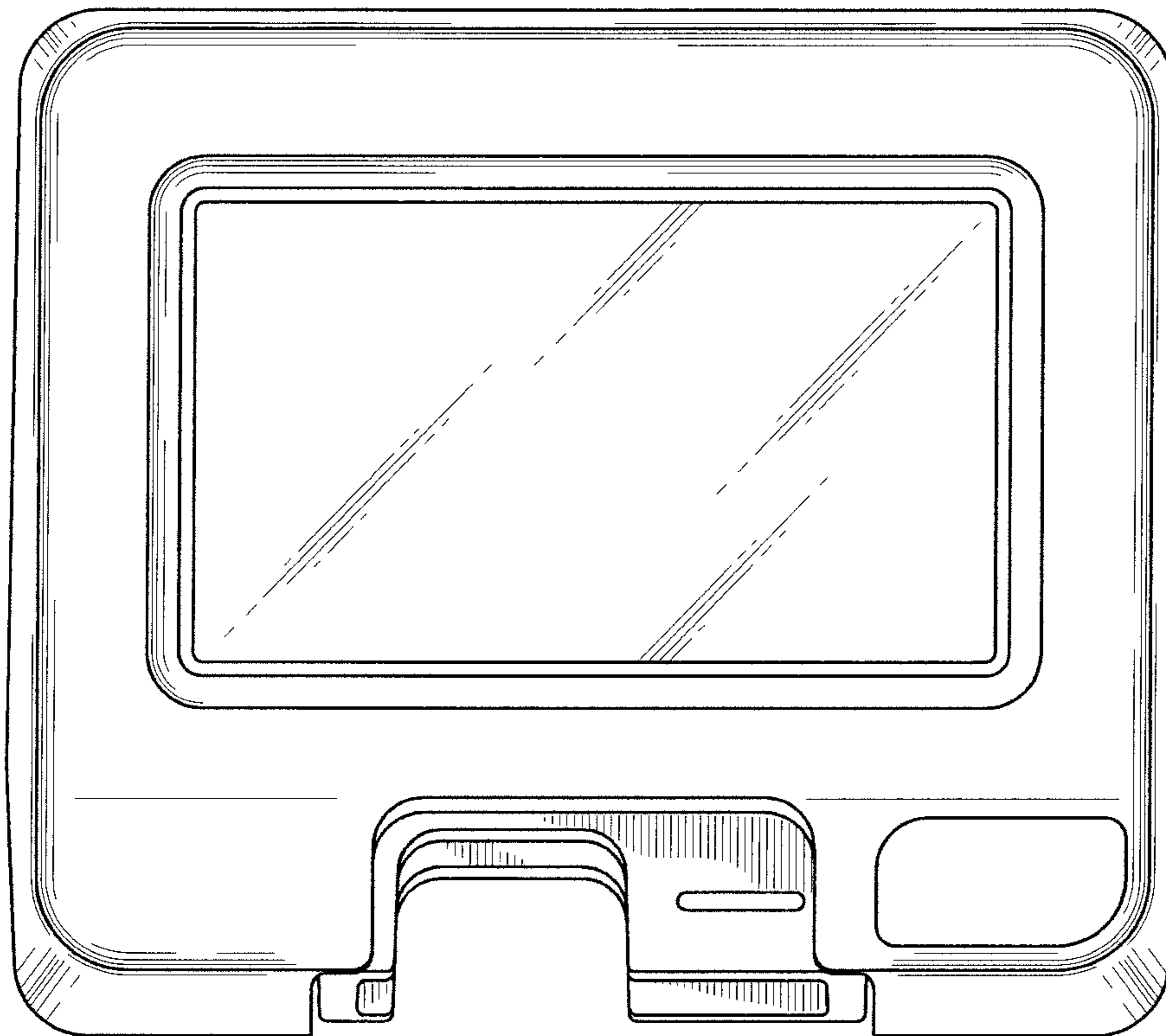


Fig. 2

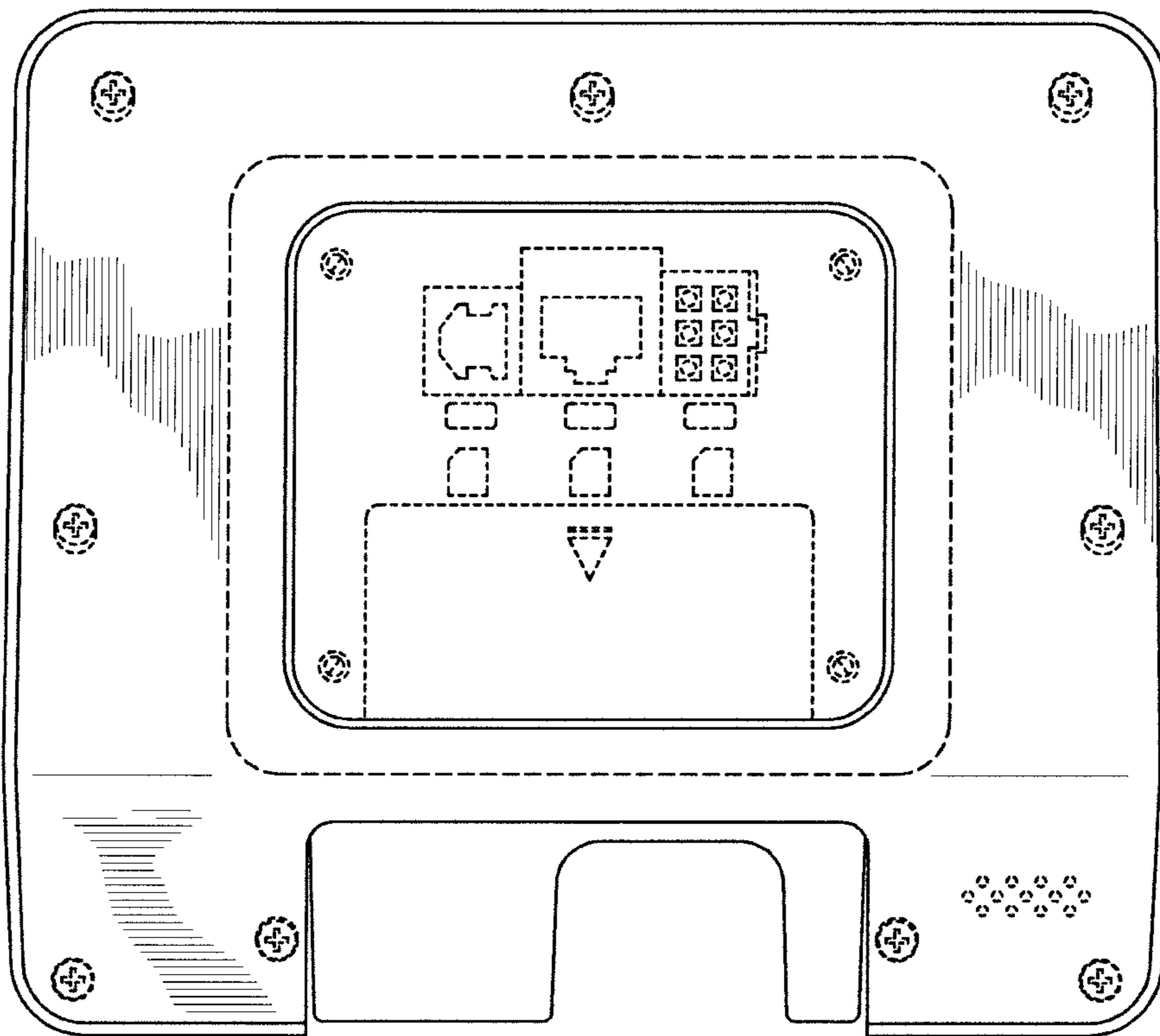


Fig. 3

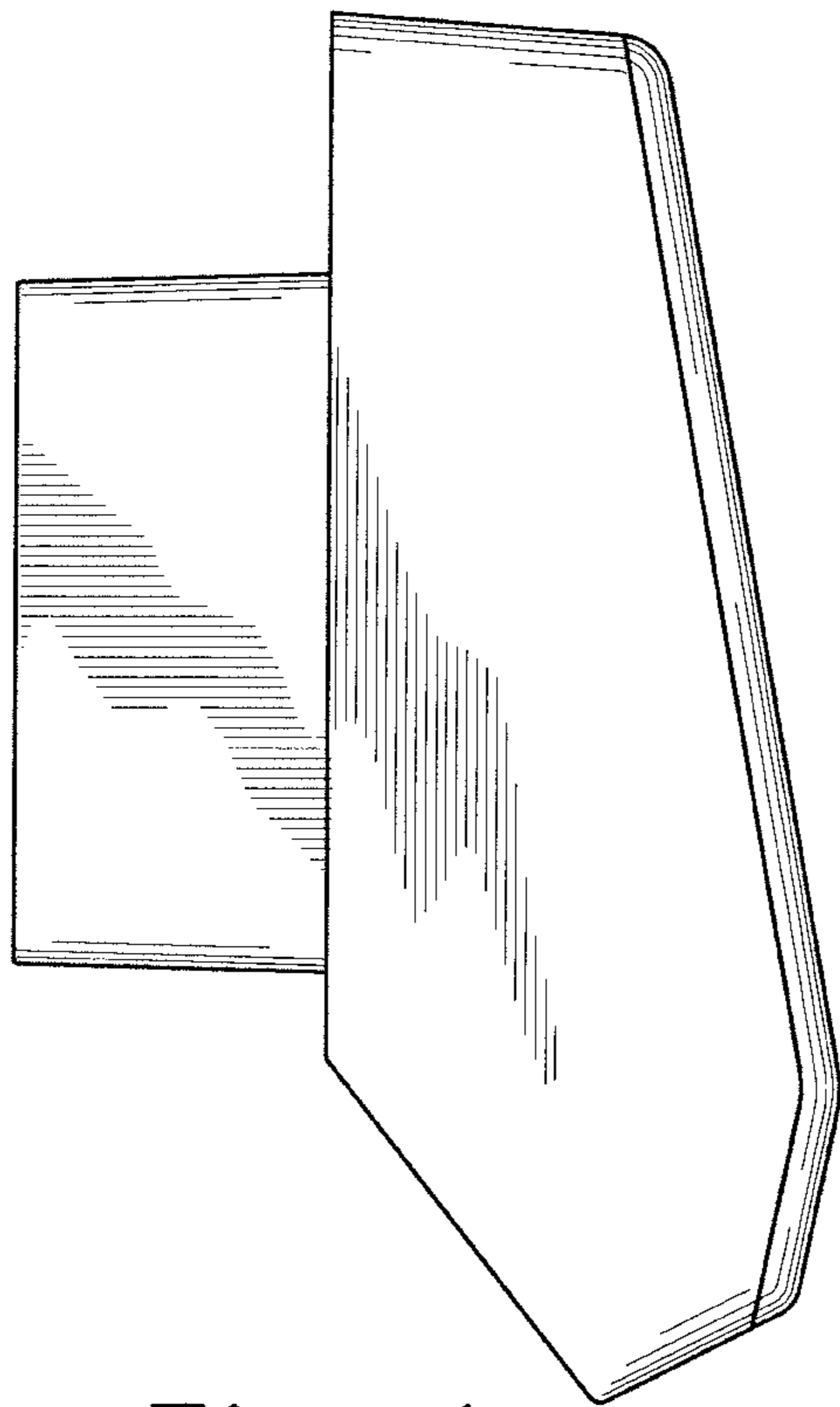


Fig. 4

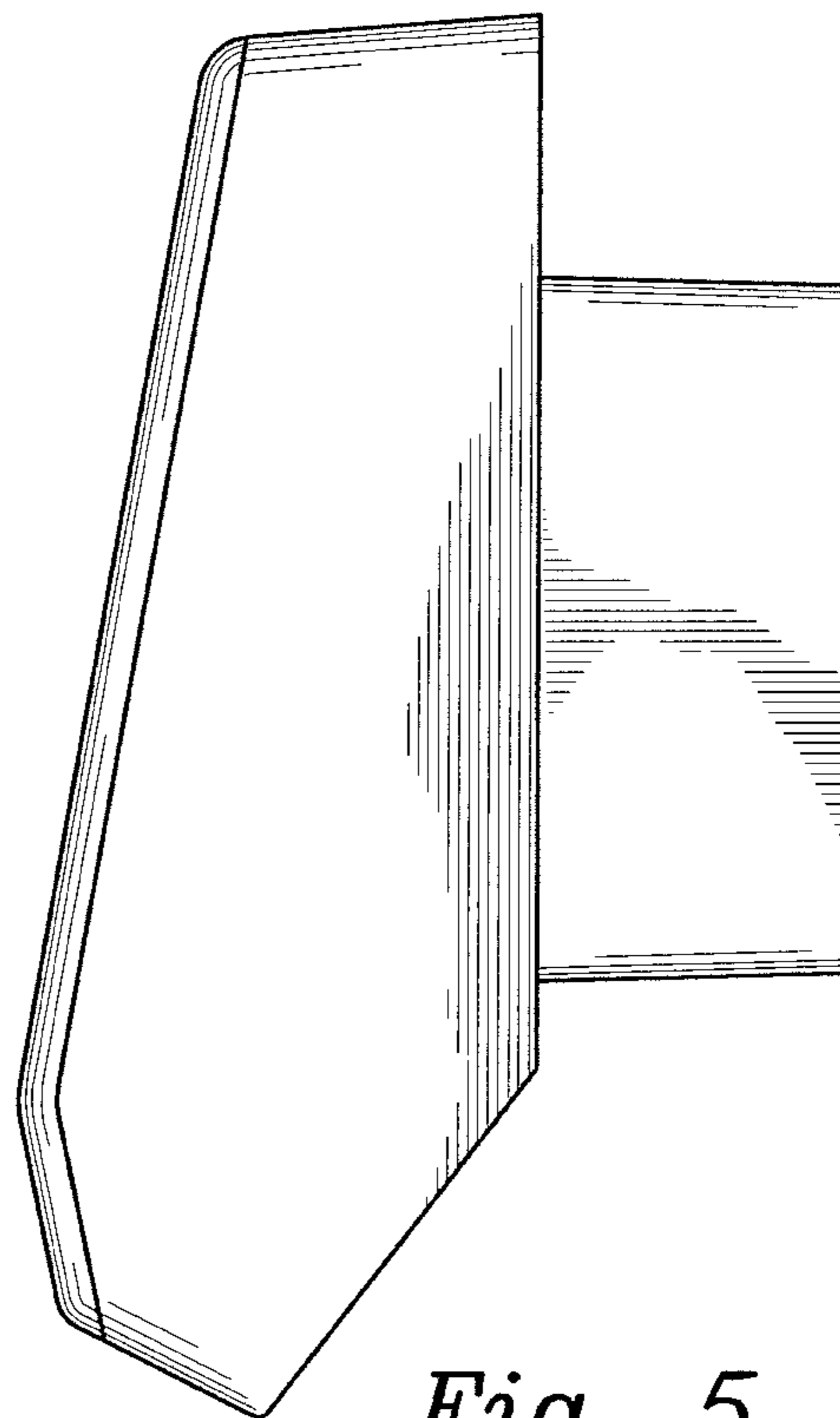


Fig. 5

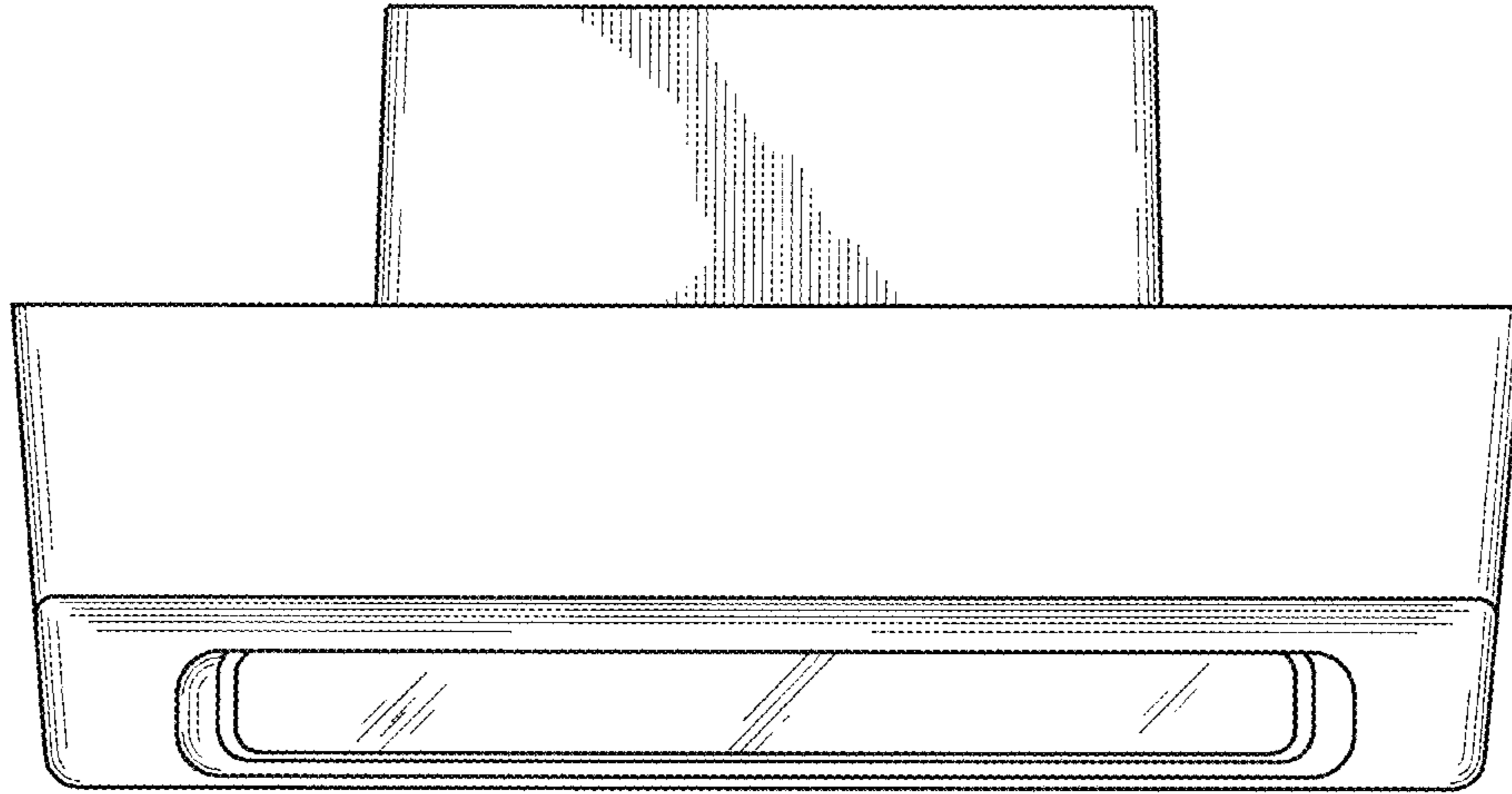


Fig. 6

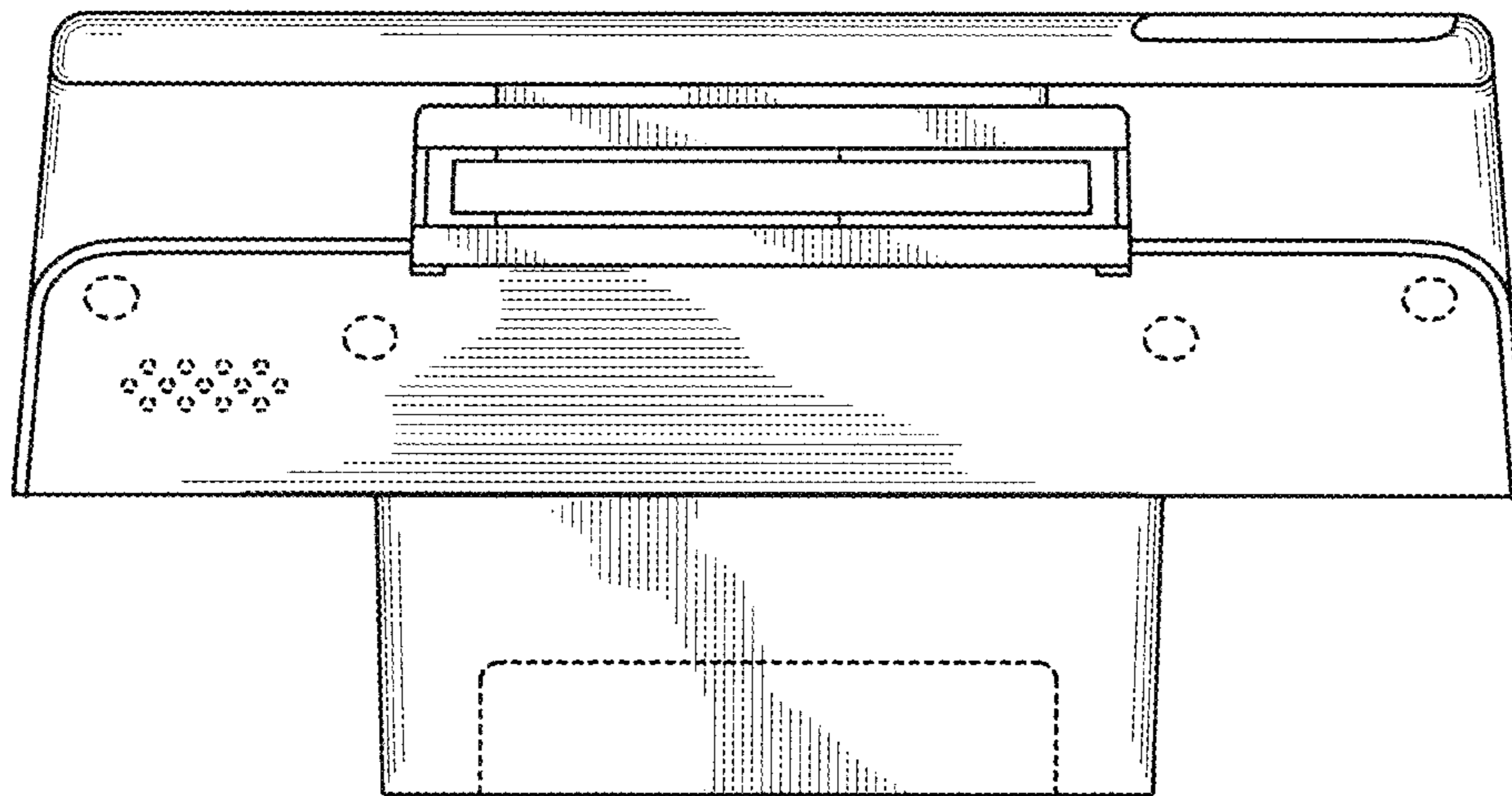


Fig. 7