



US00D907693S

(12) **United States Design Patent**
Butera

(10) **Patent No.:** **US D907,693 S**

(45) **Date of Patent:** **** Jan. 12, 2021**

(54) **ELECTRONIC INSTRUMENT**

(71) Applicant: **Artiphon, Inc.**, Nashville, TN (US)

(72) Inventor: **Michael V. Butera**, Nashville, TN (US)

(73) Assignee: **Artiphon, Inc.**, Nashville, TN (US)

(**) Term: **15 Years**

(21) Appl. No.: **29/719,006**

(22) Filed: **Dec. 31, 2019**

(51) **LOC (13) Cl.** **17-99**

(52) **U.S. Cl.**
USPC **D17/99**

(58) **Field of Classification Search**
USPC D17/20, 22, 99; D21/405
CPC G10D 99/00; G10D 15/00; G10D 13/00;
G10D 13/14; G10D 13/147; G10D 13/20
See application file for complete search history.

(56) **References Cited**

U.S. PATENT DOCUMENTS

D258,068 S *	1/1981	Ostrom	D14/197
D295,760 S *	5/1988	Kudo	D17/99
D300,322 S *	3/1989	Lam	D14/189
D396,722 S *	8/1998	Benedetti	D14/194
D471,581 S *	3/2003	Brady	D17/22
D620,041 S *	7/2010	Doe	G10D 13/08
				D17/22
D637,224 S *	5/2011	Smith	D17/24
D661,342 S *	6/2012	Ridinger	D17/99
8,492,632 B1 *	7/2013	Doe	G10D 13/08
				84/406
D766,356 S *	9/2016	Rohner	D17/22

D784,442 S *	4/2017	Grassmayr	D17/99
D810,188 S *	2/2018	Beery	D17/22
D835,070 S *	12/2018	DePasquale	D14/216
D859,363 S *	9/2019	Chalabi	D14/216
D885,478 S *	5/2020	Chen	D17/22
D886,762 S *	6/2020	Morris	D14/188
2015/0364121 A1 *	12/2015	Gungor	G10D 13/16
				84/411 R

* cited by examiner

Primary Examiner — R. Johnson

(74) *Attorney, Agent, or Firm* — Greenspoon Marder LLP; Justin F. McNaughton

(57) **CLAIM**

The ornamental design for an electronic instrument, as shown and described.

DESCRIPTION

FIG. 1 is a top plan view of an electronic instrument showing my new design;

FIG. 2 is a bottom plan view thereof;

FIG. 3 is a side elevational view thereof;

FIG. 4 is a side elevational view thereof;

FIG. 5 is a side elevational view thereof;

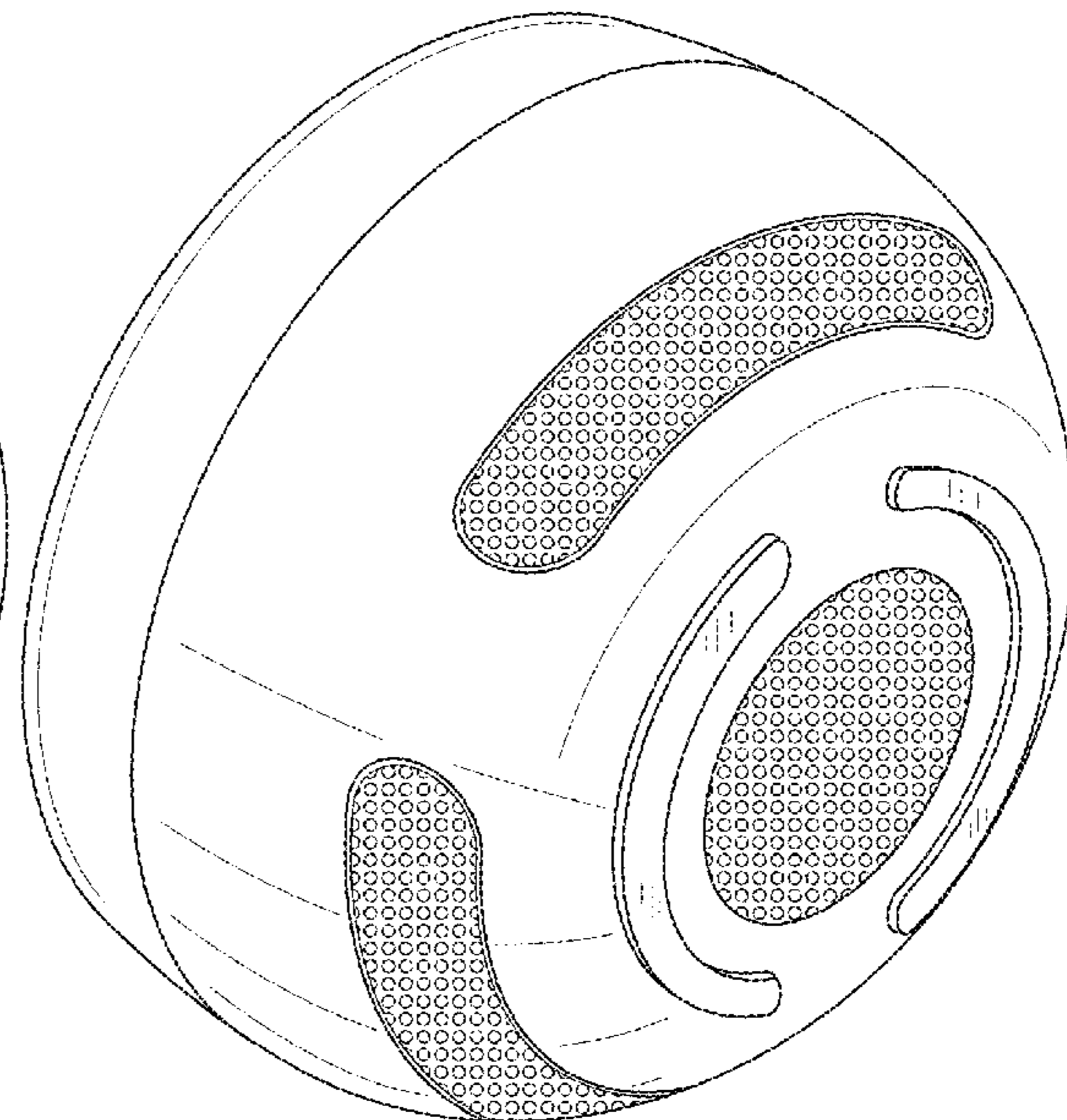
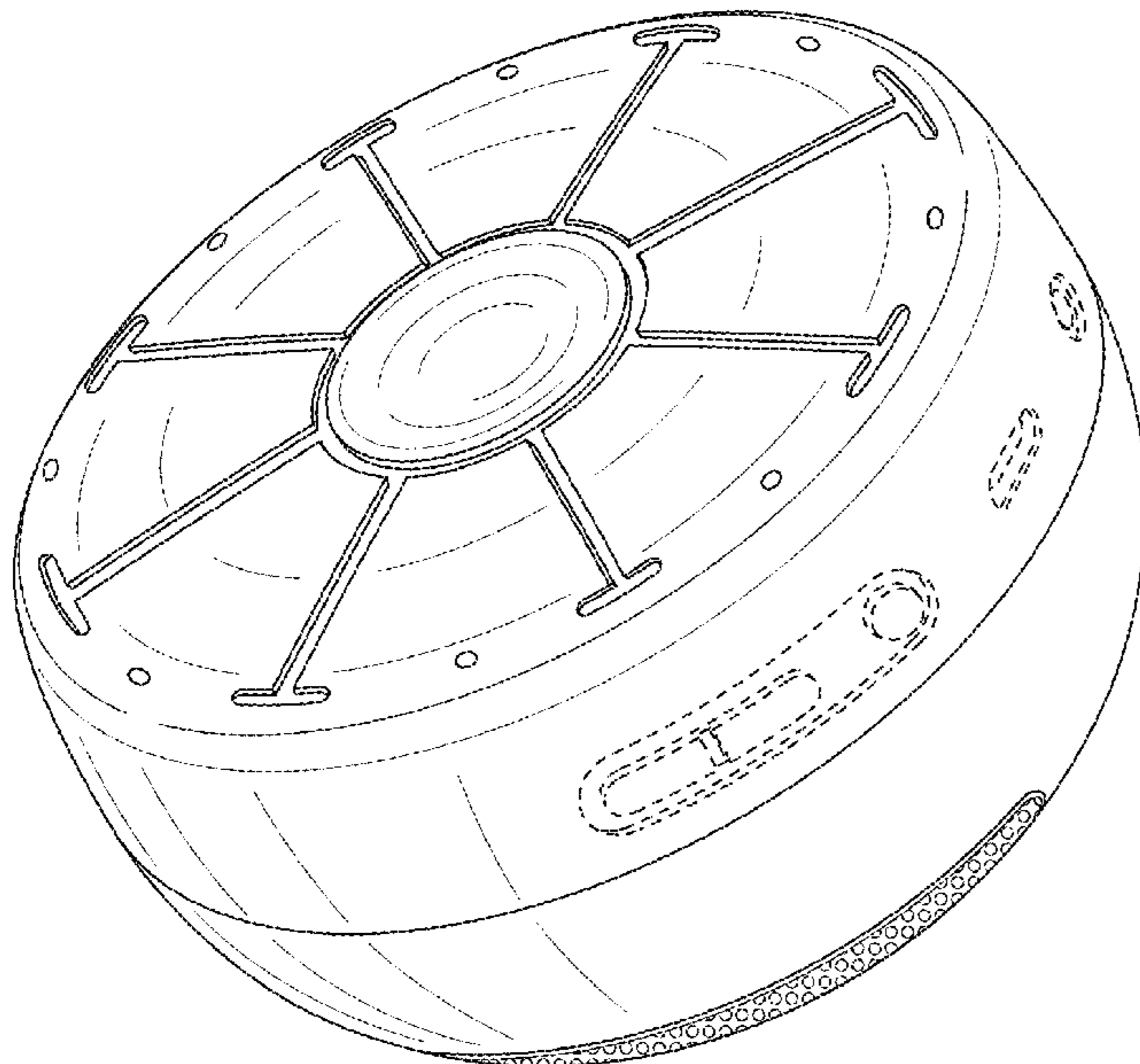
FIG. 6 is a side elevational view thereof;

FIG. 7 is a top, side perspective view thereof; and,

FIG. 8 is a bottom, side perspective view thereof.

The broken lines shown in the figures represent portions of the electronic instrument that form no part of the claimed design.

1 Claim, 8 Drawing Sheets



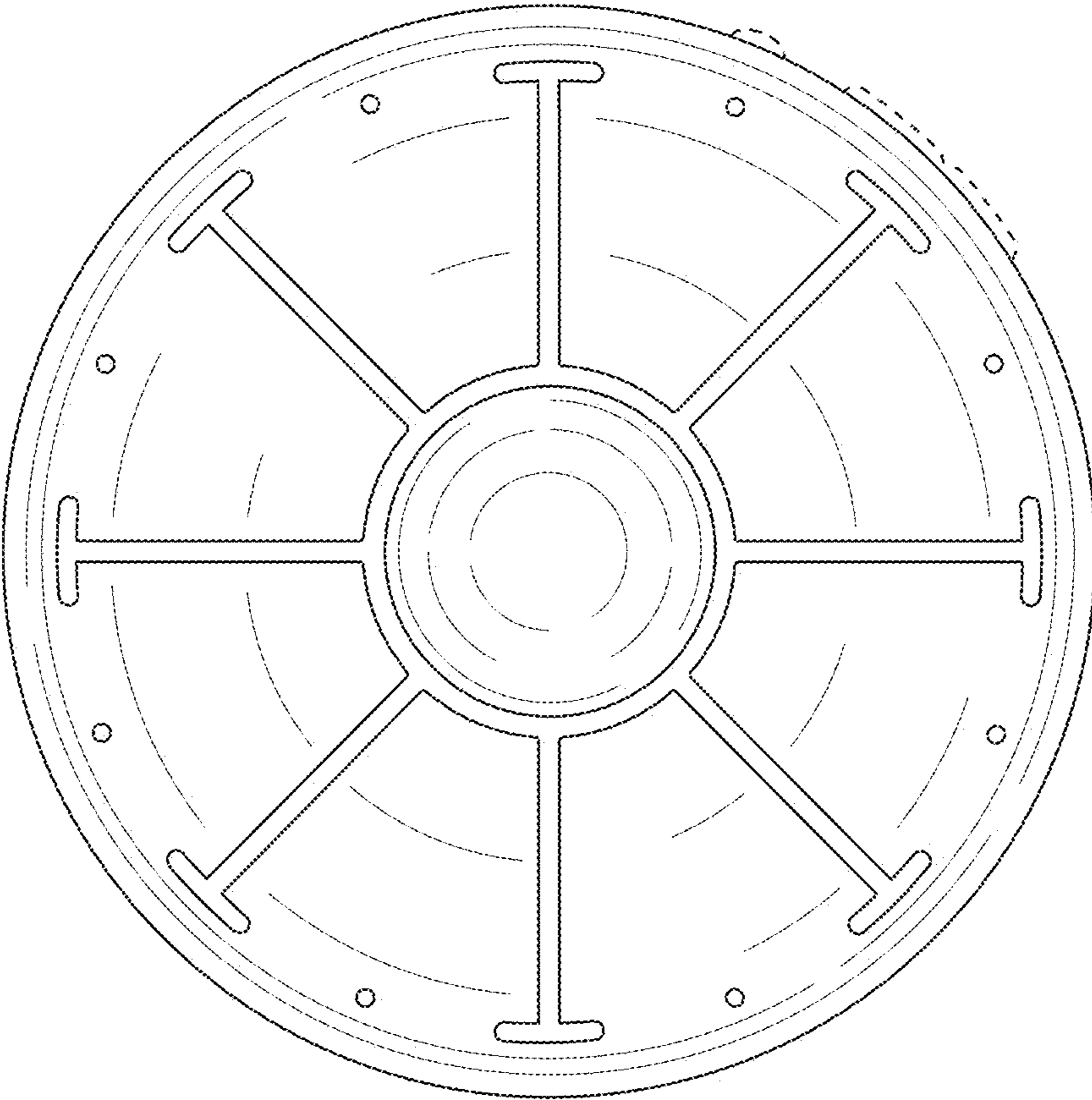


FIG. 1

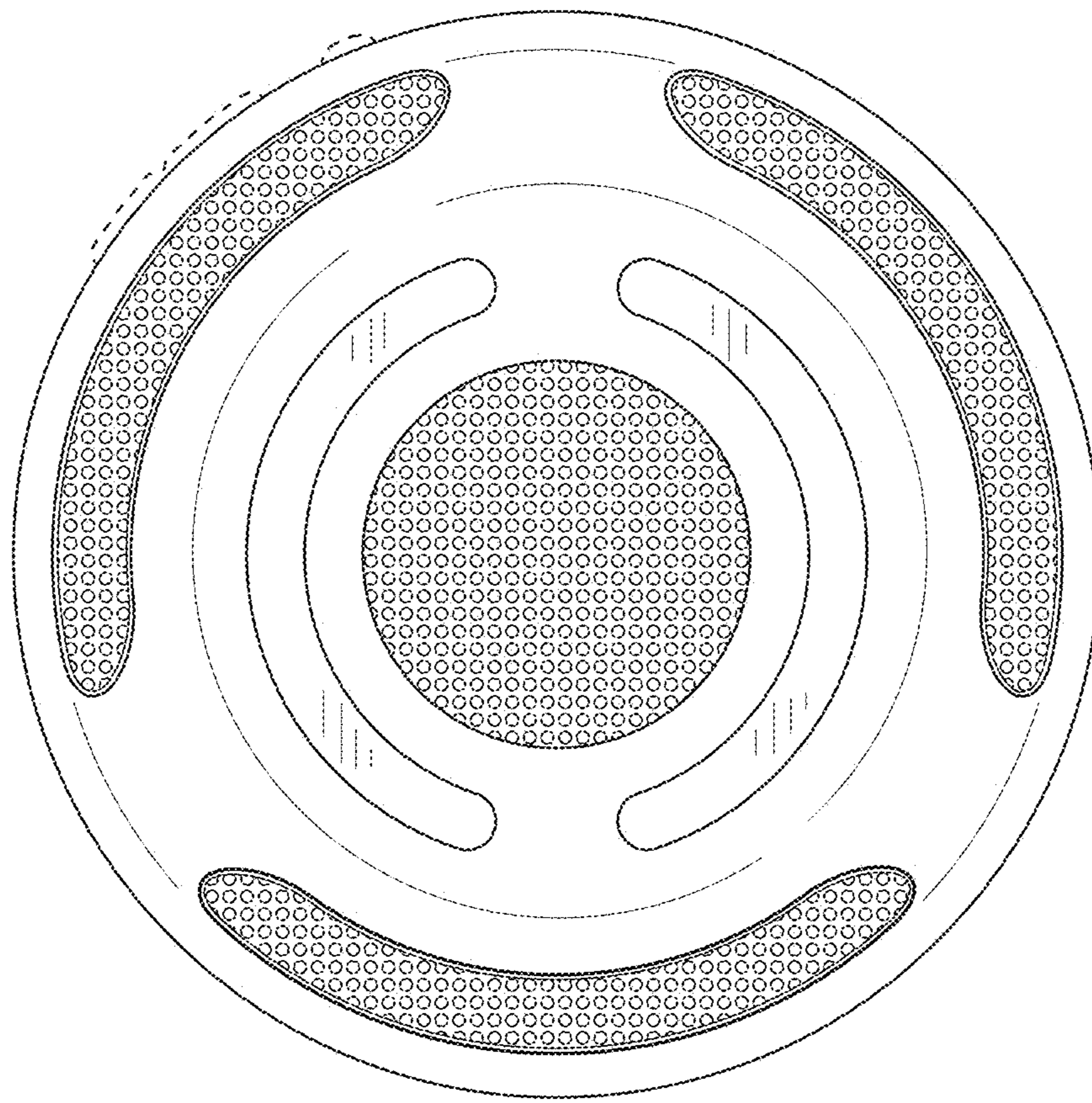


FIG. 2

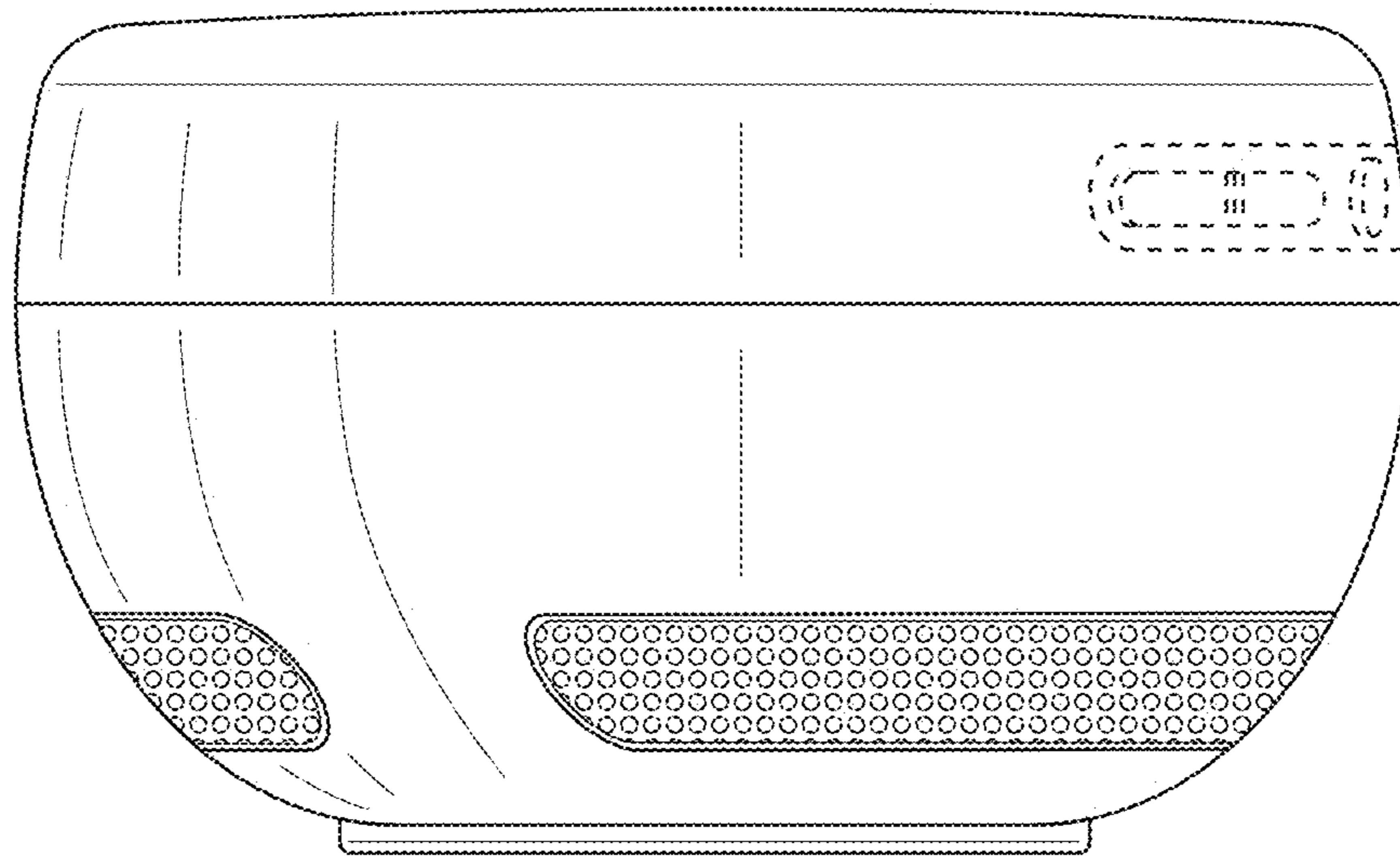


FIG. 3

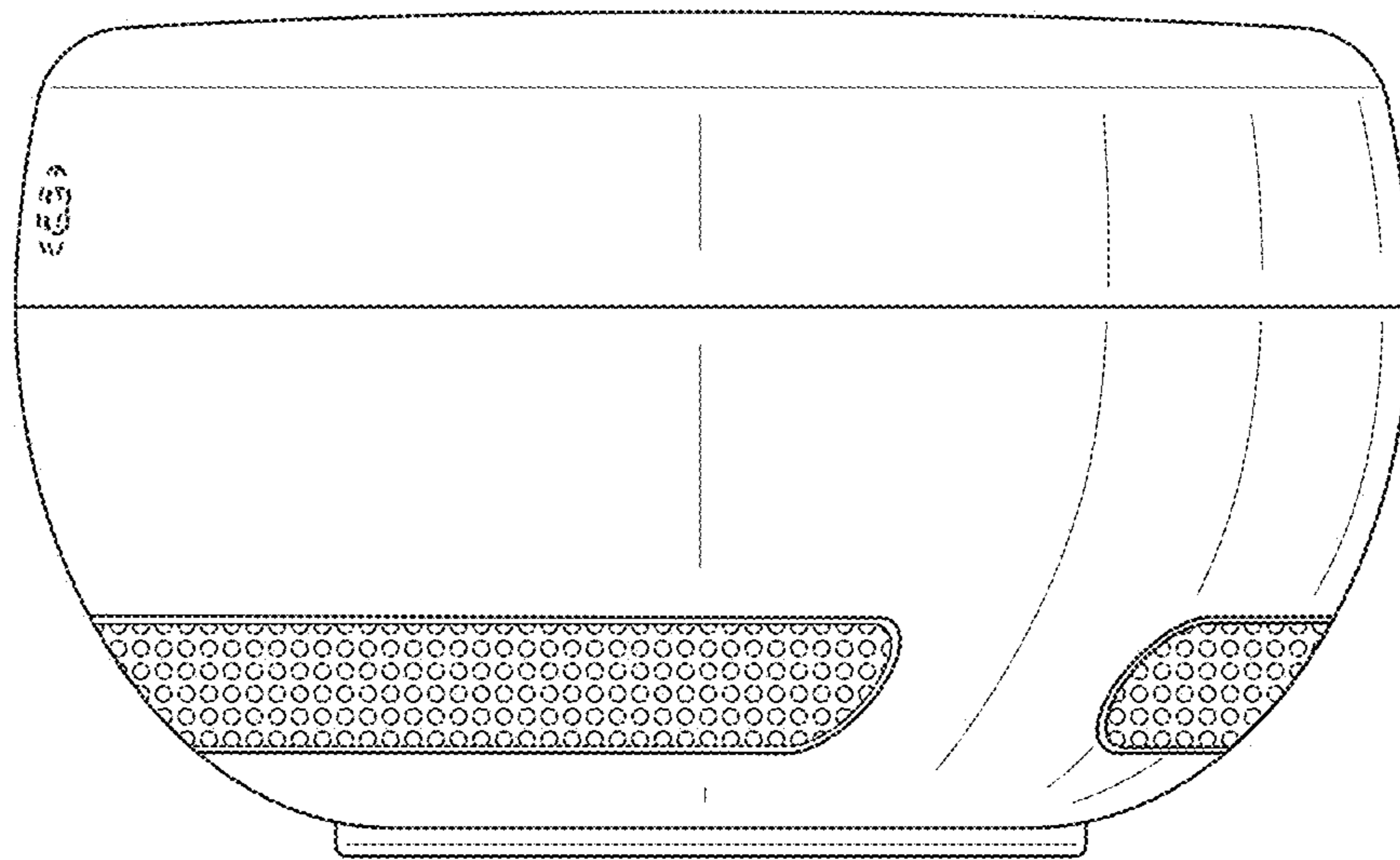


FIG. 4

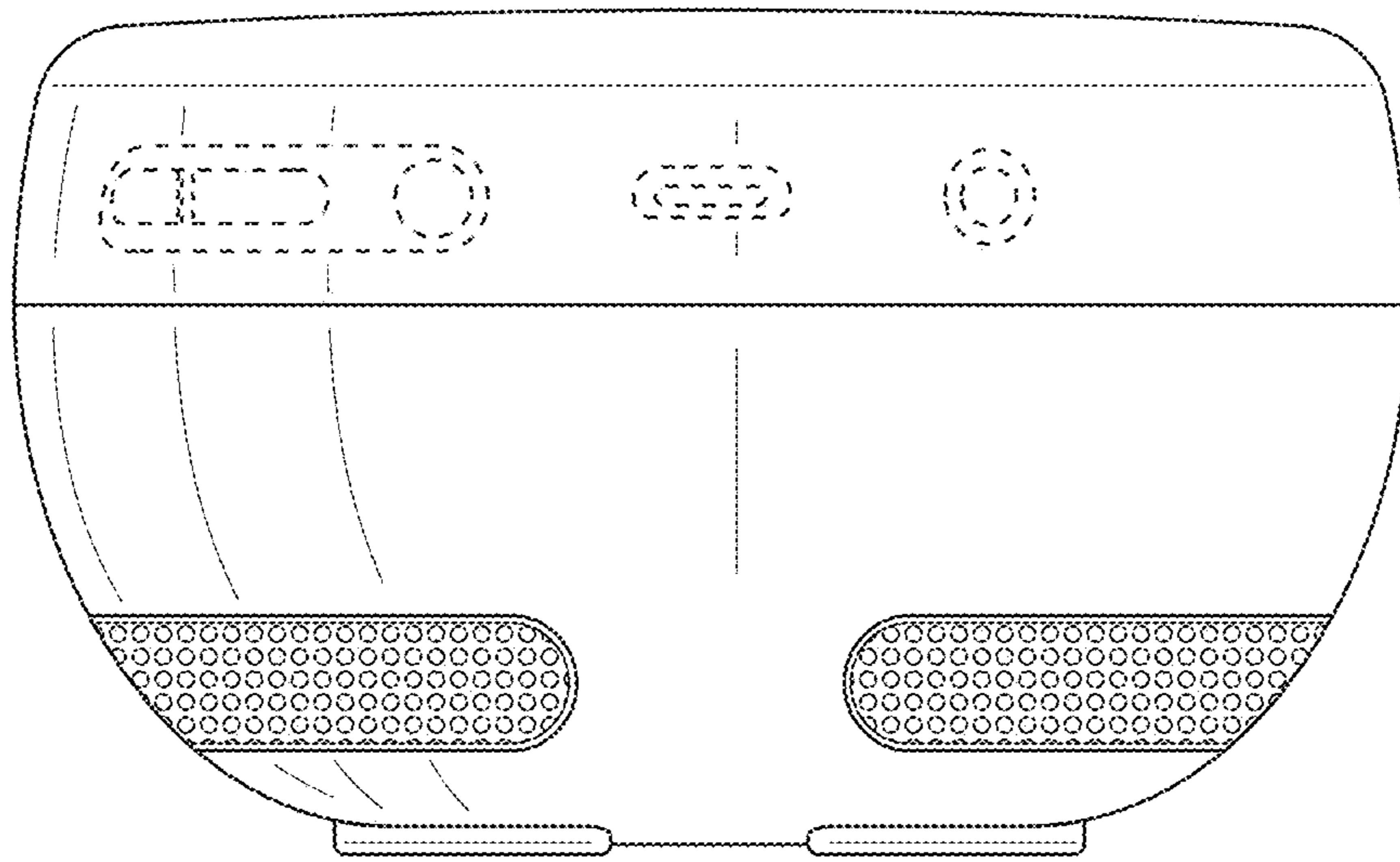


FIG. 5

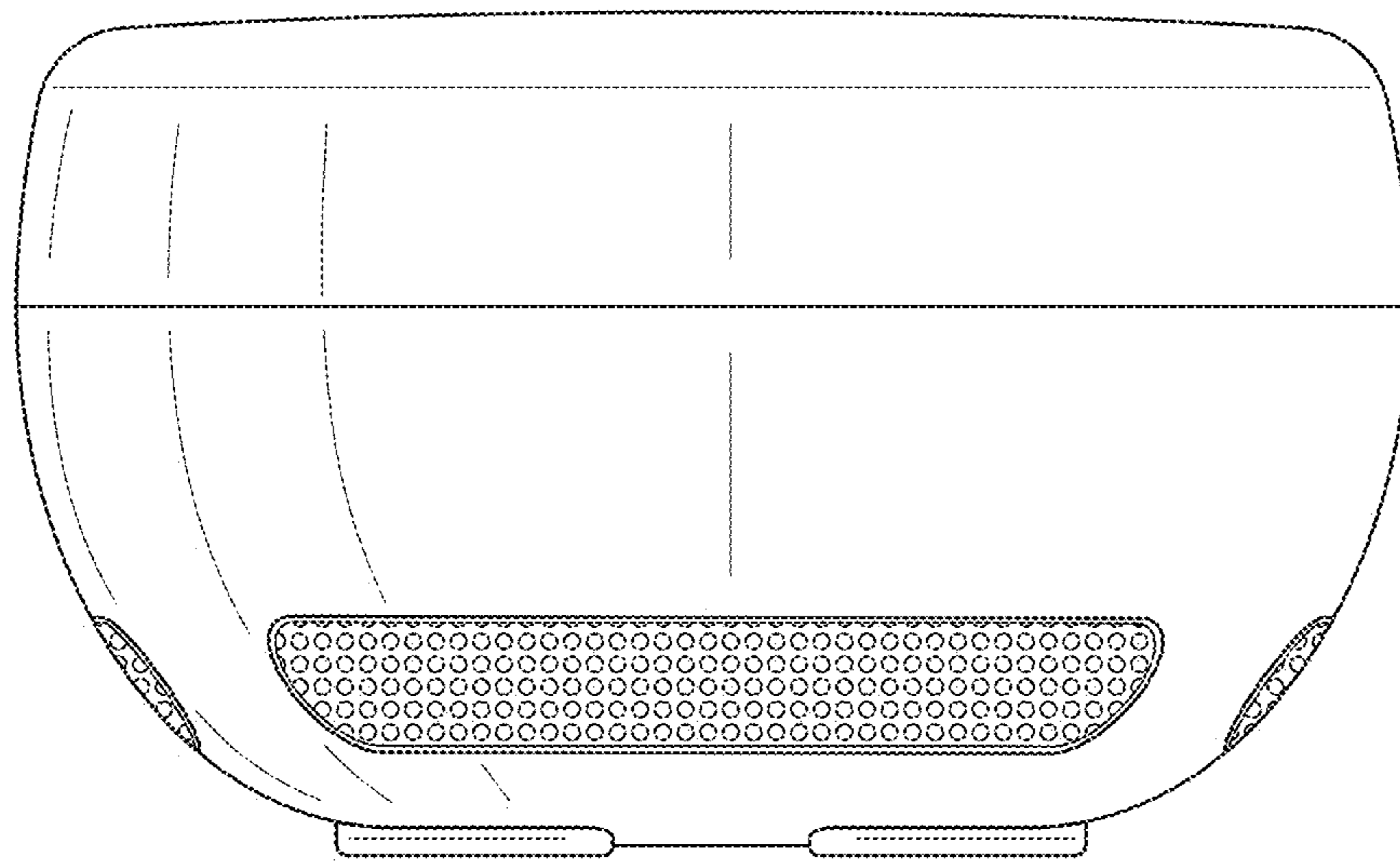


FIG. 6

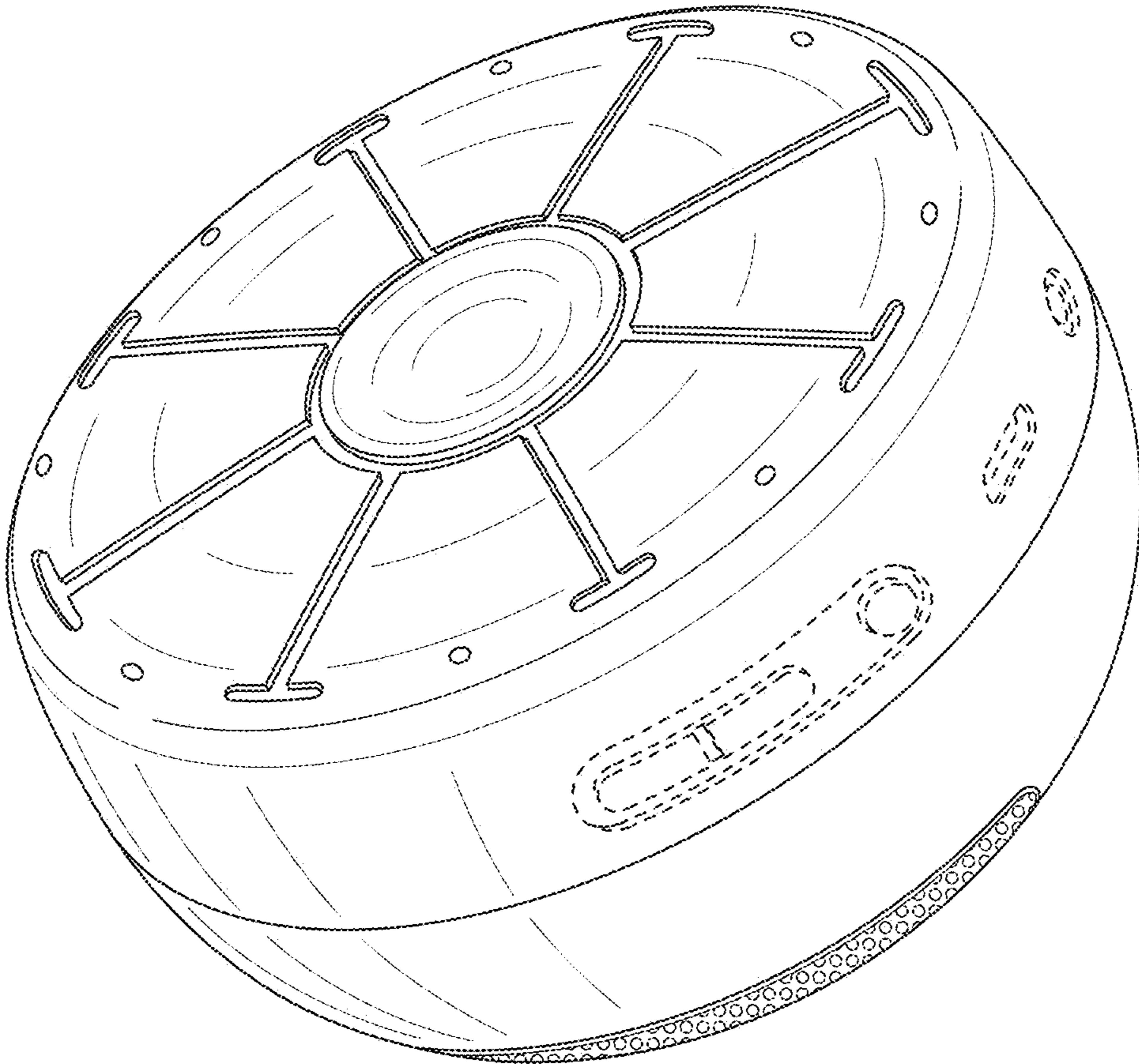


FIG. 7

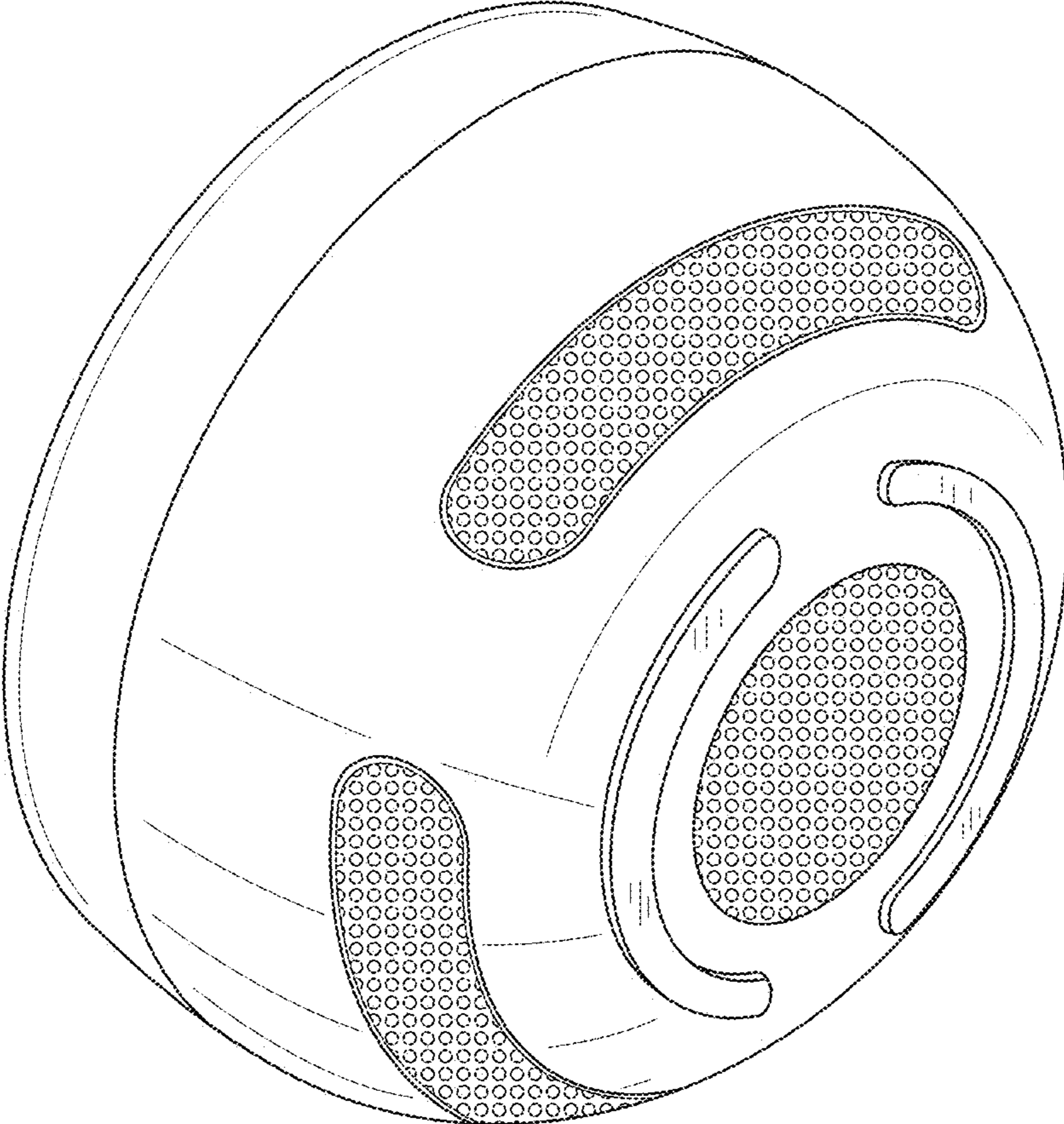


FIG. 8