



US00D907692S

(12) **United States Design Patent** (10) **Patent No.:** **US D907,692 S**
Wilfer et al. (45) **Date of Patent:** **** Jan. 12, 2021**

(54) **LIGHTED PEDAL BOARD**

D862,577 S * 10/2019 Lackner D17/20
D862,582 S * 10/2019 Lackner D17/20
D862,583 S * 10/2019 Lackner D17/20

(71) Applicant: **Hans-Peter Wilfer**, Heidelberg (DE)

* cited by examiner

(72) Inventors: **Hans-Peter Wilfer**, Heidelberg (DE);
Roland Schmidt, Heidelberg (DE);
Klaus Lackner, Heidelberg (DE)

Primary Examiner — R. Johnson
(74) *Attorney, Agent, or Firm* — Scarinci Hollenbeck
LLC; Libby Babu Varghese

(73) Assignee: **Hans-Peter Wilfer**, Markneukirchen
(DE)

(57) **CLAIM**

The ornamental design for a lighted pedal board, as shown
and described.

(**) Term: **15 Years**

DESCRIPTION

(21) Appl. No.: **29/706,482**

FIG. 1 is a perspective view of a lighted pedal board
showing my new design; shown in a first position;
FIG. 2 is a top view thereof;
FIG. 3 is a front view thereof;
FIG. 4 is a left- side view thereof;
FIG. 5 is a right-side view thereof;
FIG. 6 is a rear view thereof;
FIG. 7 is a bottom view thereof;
FIG. 8 is a perspective view of the present invention, shown
in a second position;
FIG. 9 is a top view thereof;
FIG. 10 is a front view thereof;
FIG. 11 is a left- side view thereof;
FIG. 12 is a right-side view thereof; and,
FIG. 13 is a bottom view thereof.

(22) Filed: **Sep. 20, 2019**

(51) **LOC (13) Cl.** **17-99**

(52) **U.S. Cl.**
USPC **D17/99**

(58) **Field of Classification Search**
USPC D17/20, 22, 99
CPC ... G10D 13/11; G10D 99/00; G10H 2210/231
See application file for complete search history.

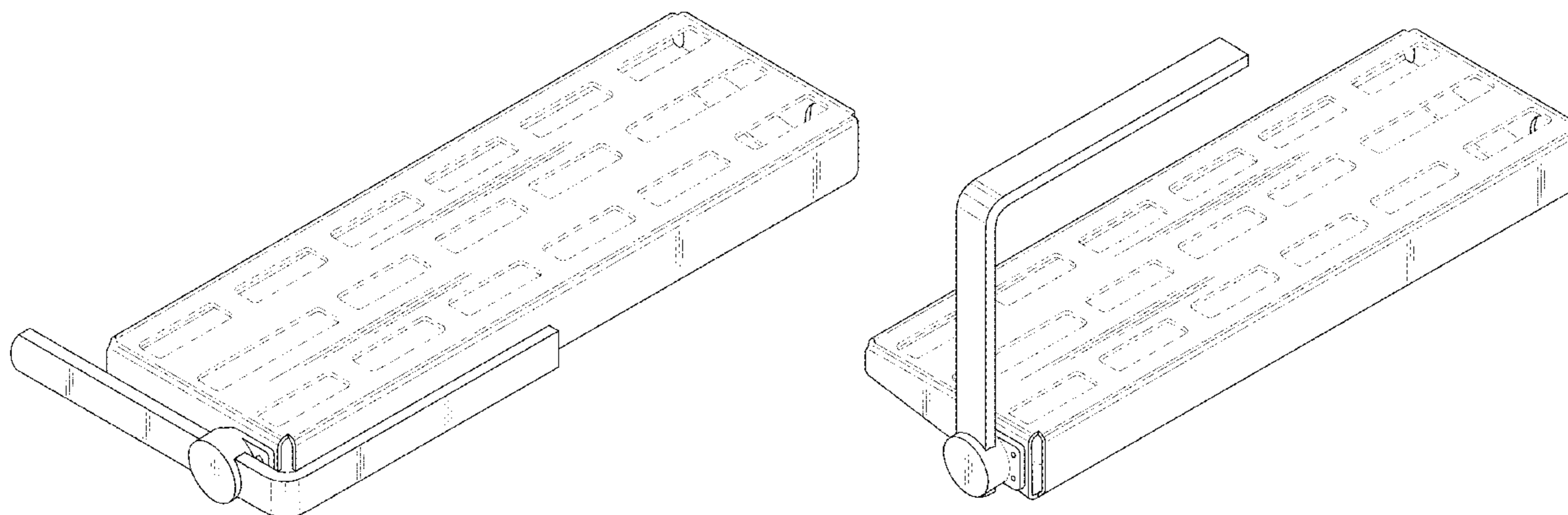
The broken lines are for the purpose of illustrating portions
of the lighted pedal board that form no part of the claimed
design.

(56) **References Cited**

U.S. PATENT DOCUMENTS

D809,484 S * 2/2018 Shi D14/217
D820,904 S * 6/2018 Fiden D17/99
D828,440 S * 9/2018 Trifilio D17/20
D831,103 S * 10/2018 Trifilio D17/20
10,204,609 B2 * 2/2019 Canivell Grifols G10G 5/00
D846,527 S * 4/2019 Lamb D14/217

1 Claim, 11 Drawing Sheets



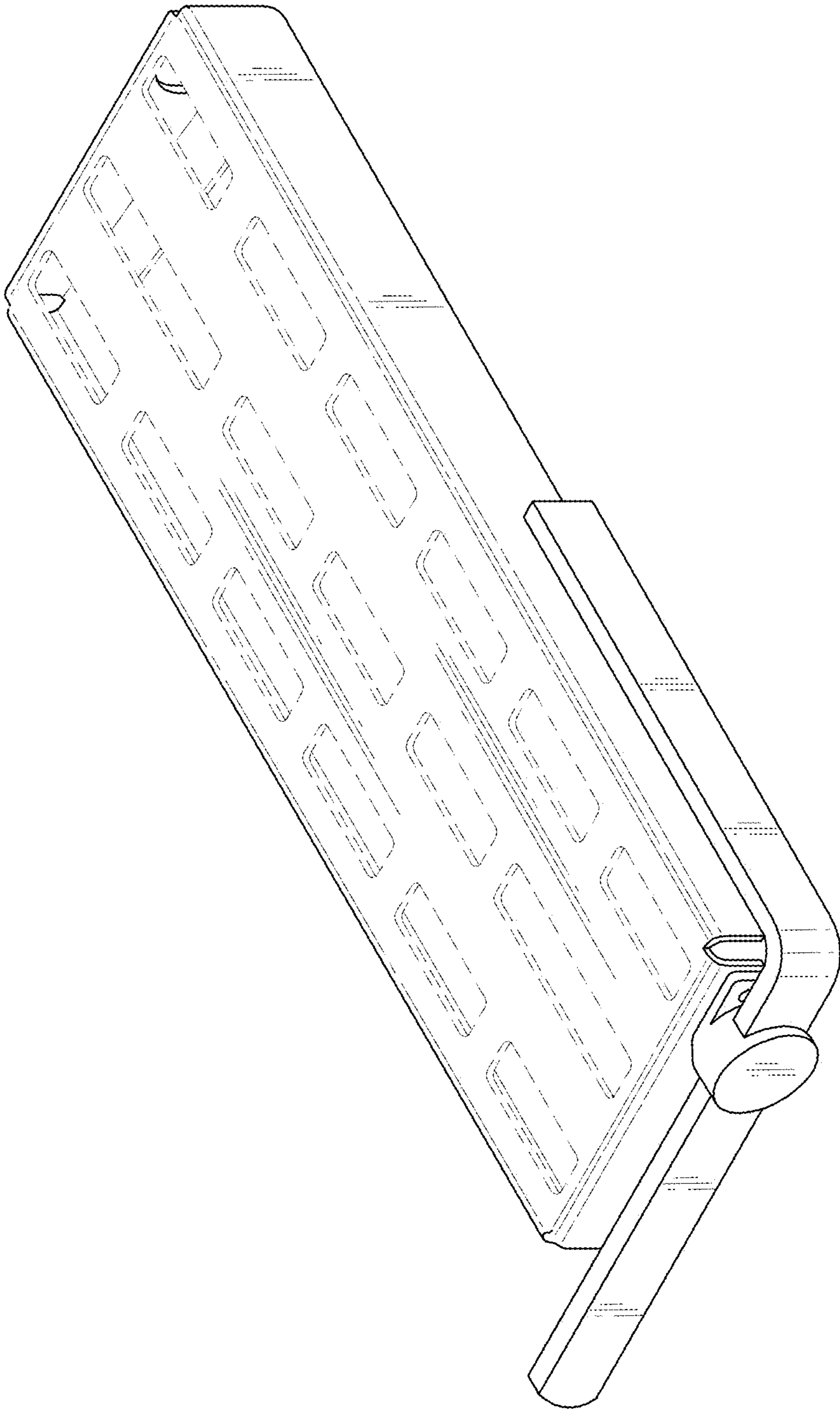


FIG. 1

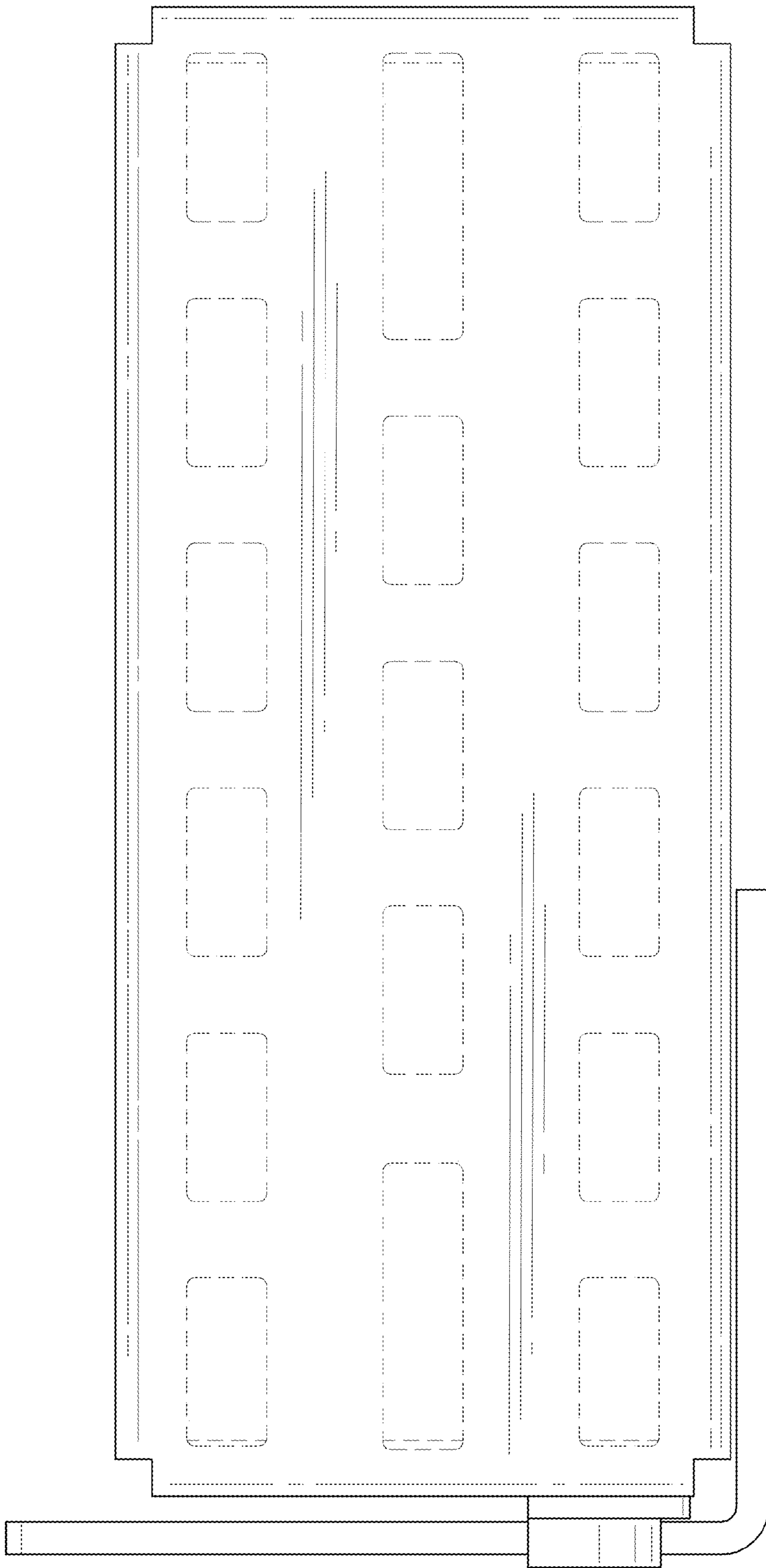


FIG. 2

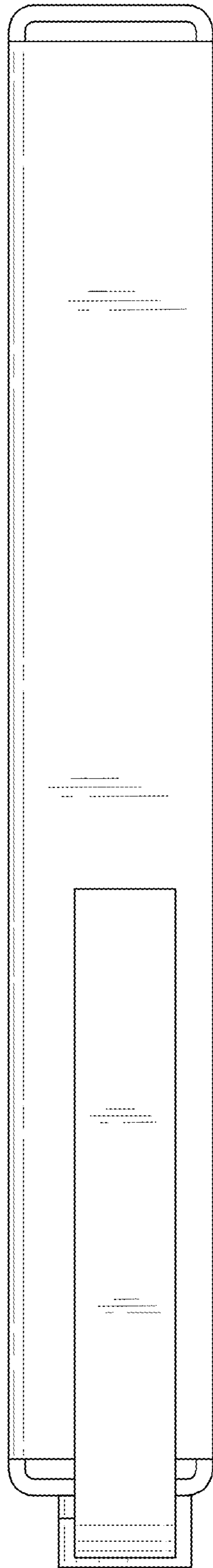


FIG. 3

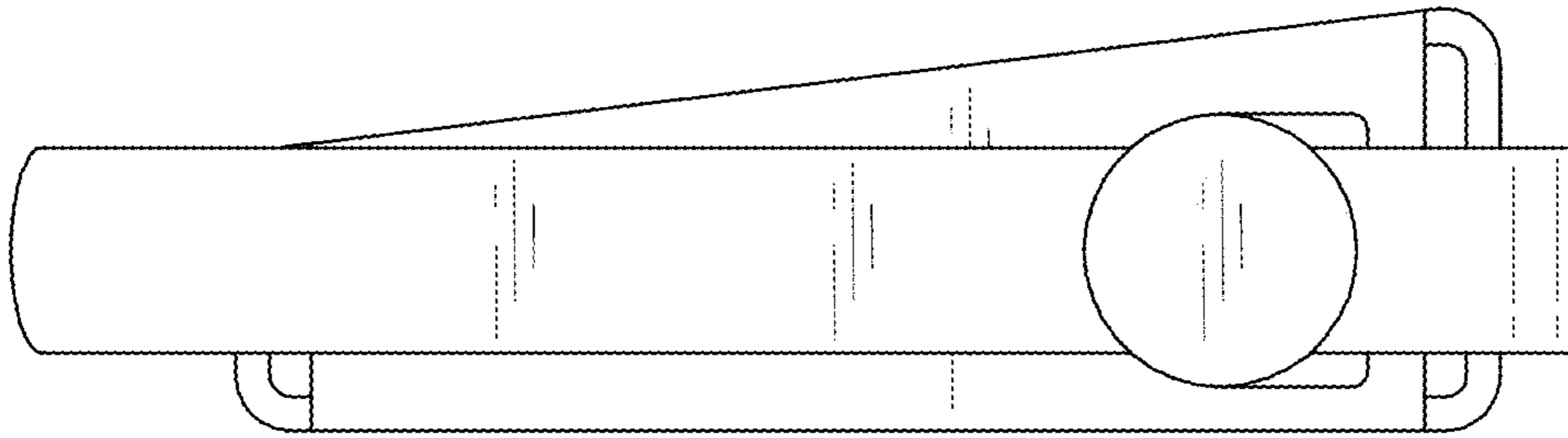


FIG. 4

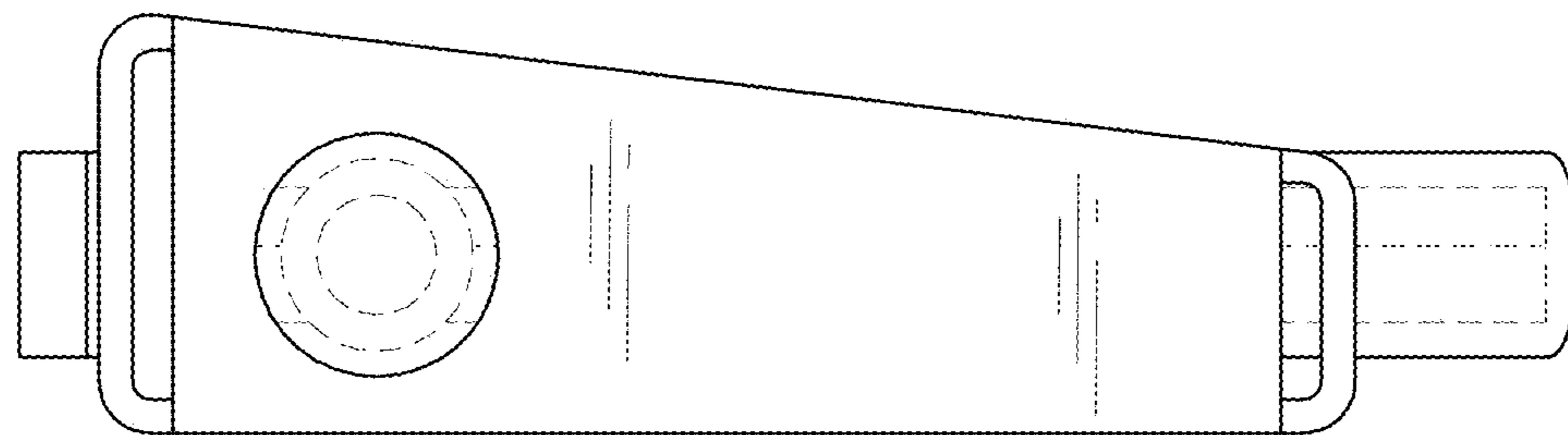


FIG. 5

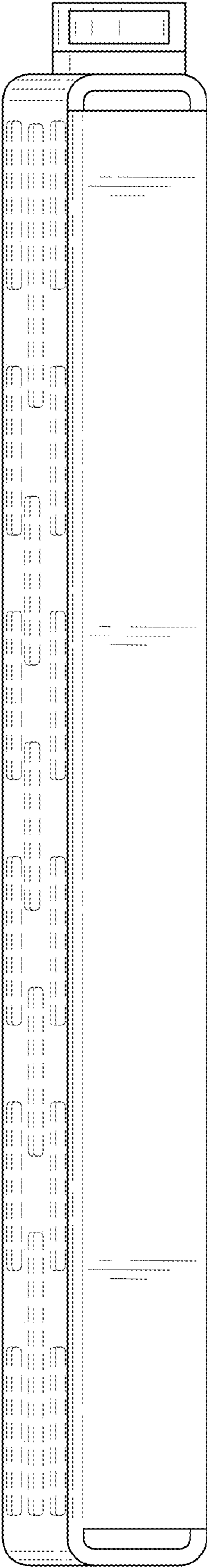


FIG. 6

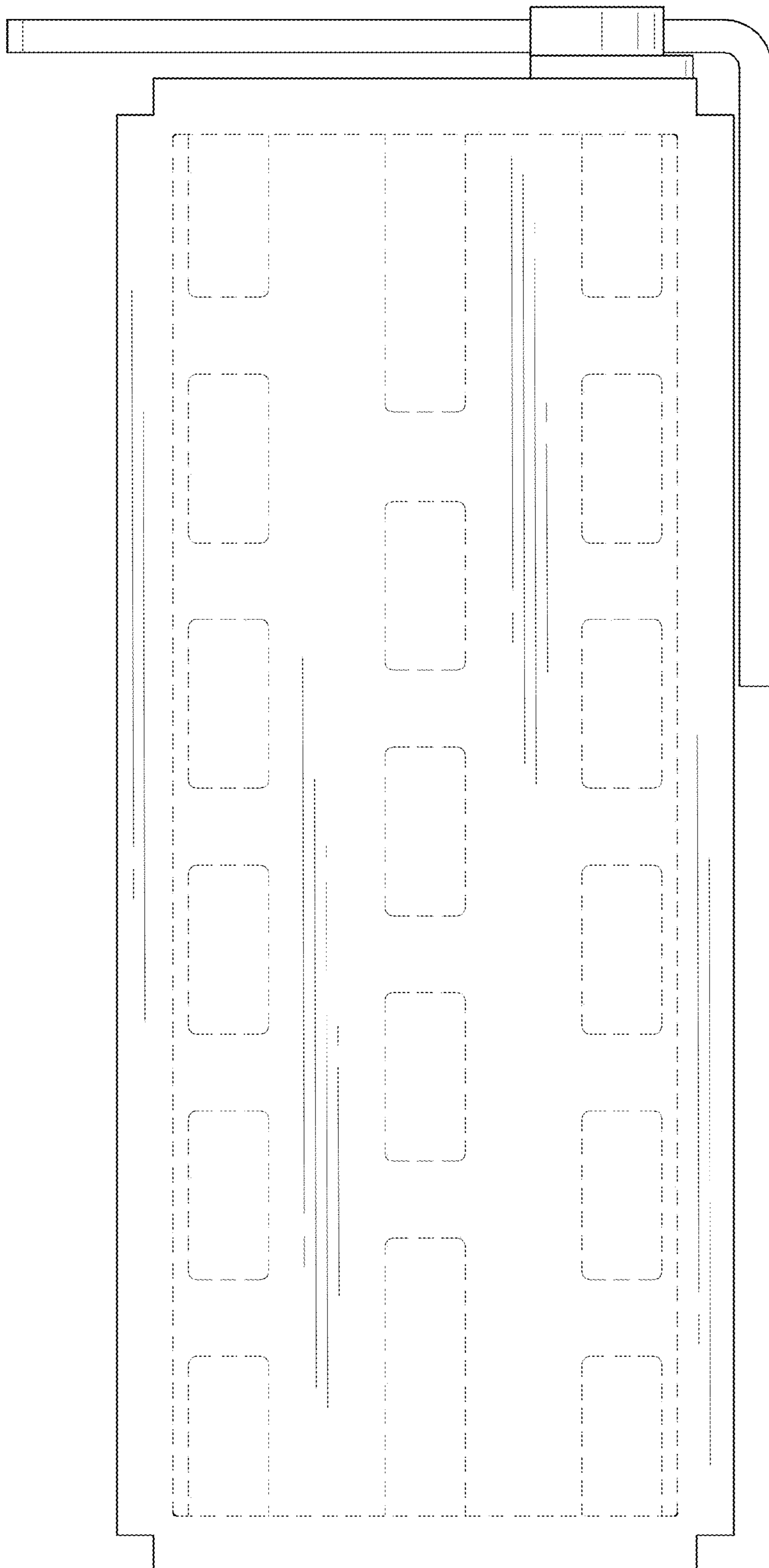


FIG. 7

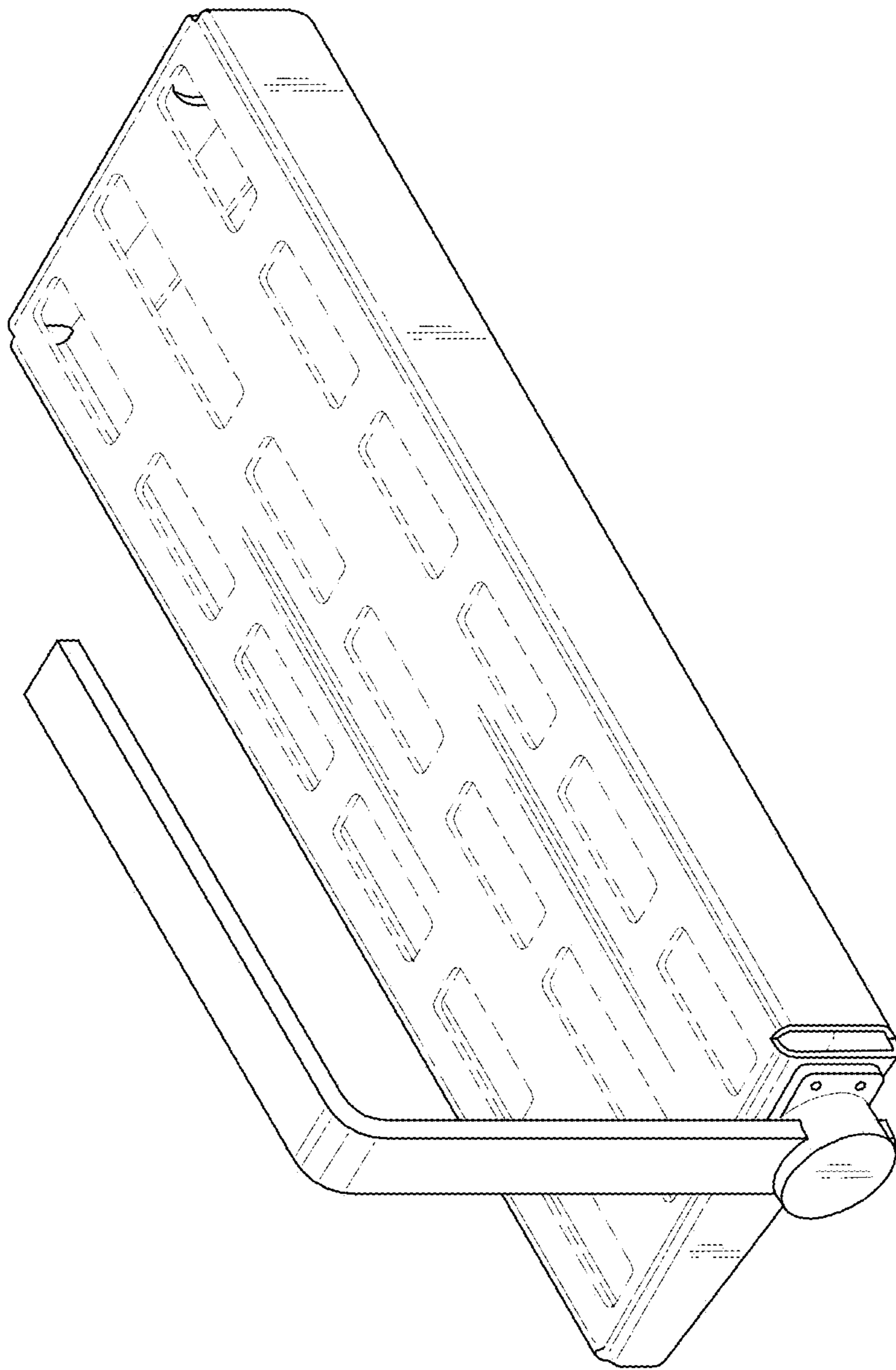


FIG. 8

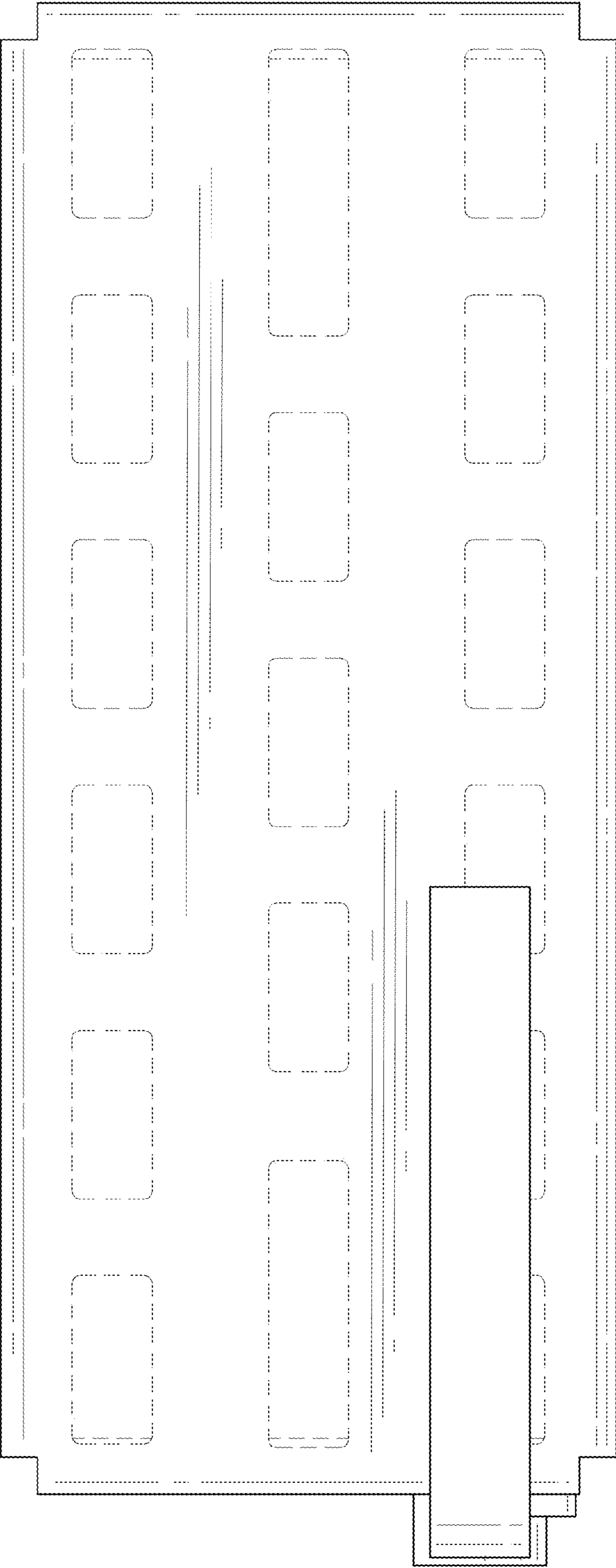


FIG. 9

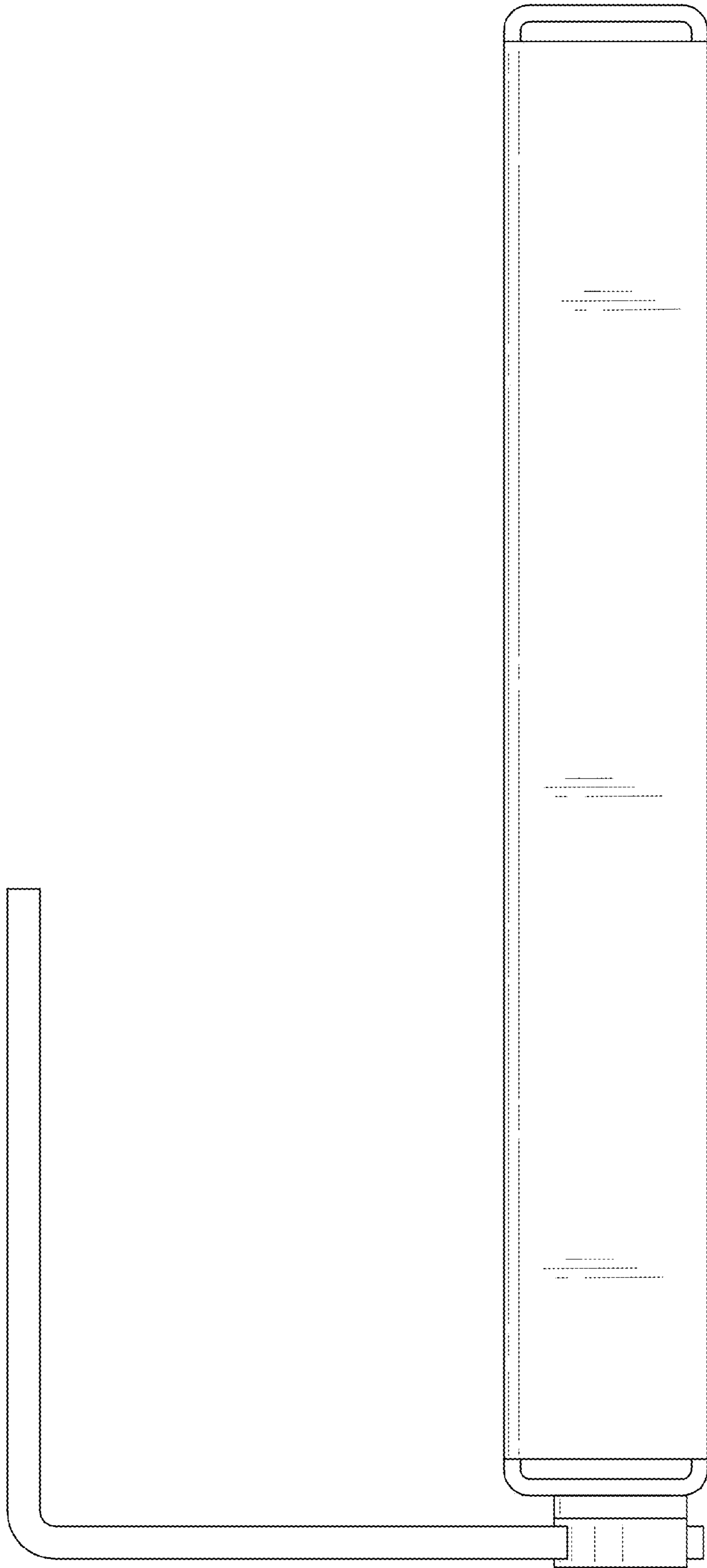


FIG. 10

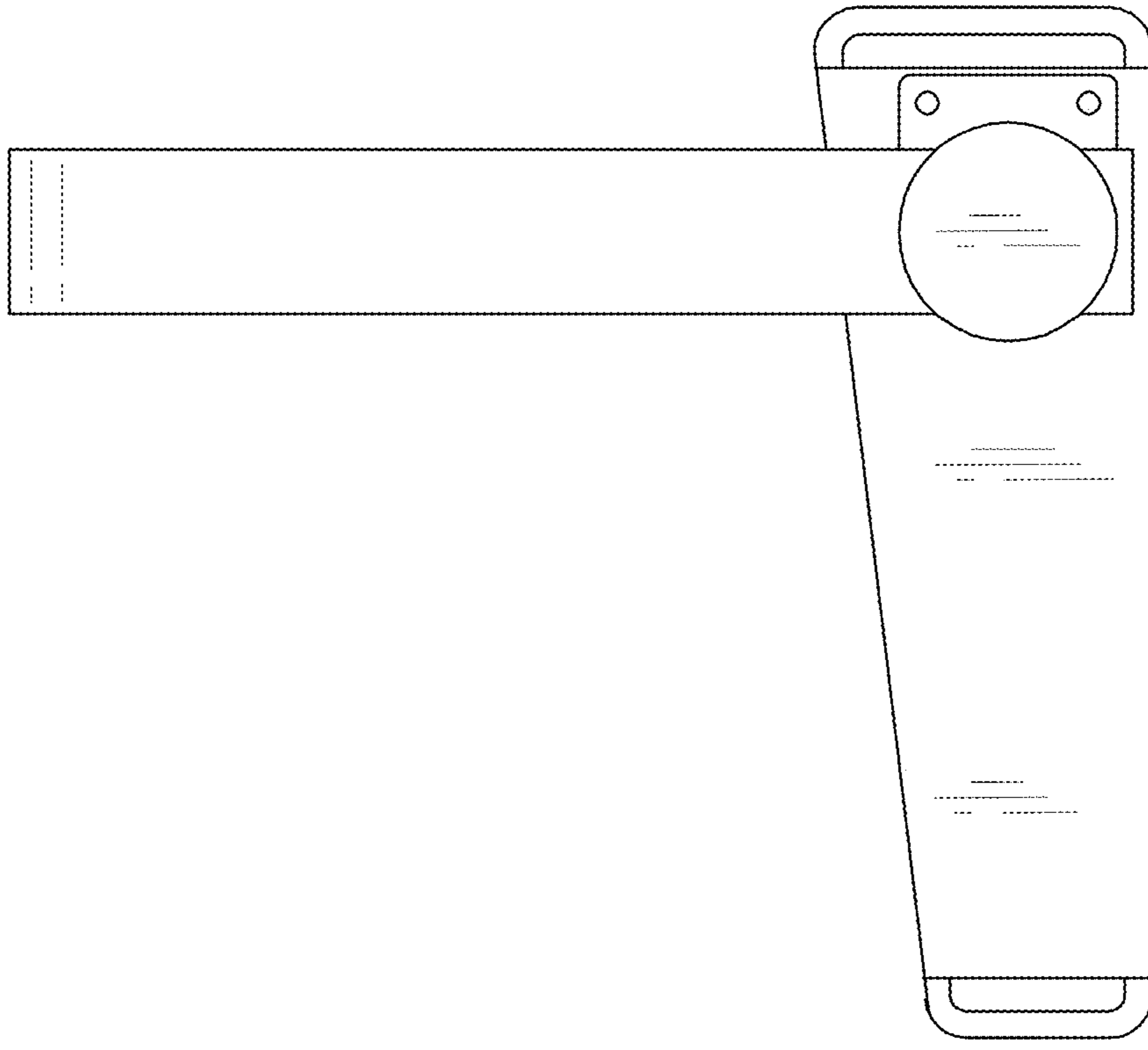


FIG. 11

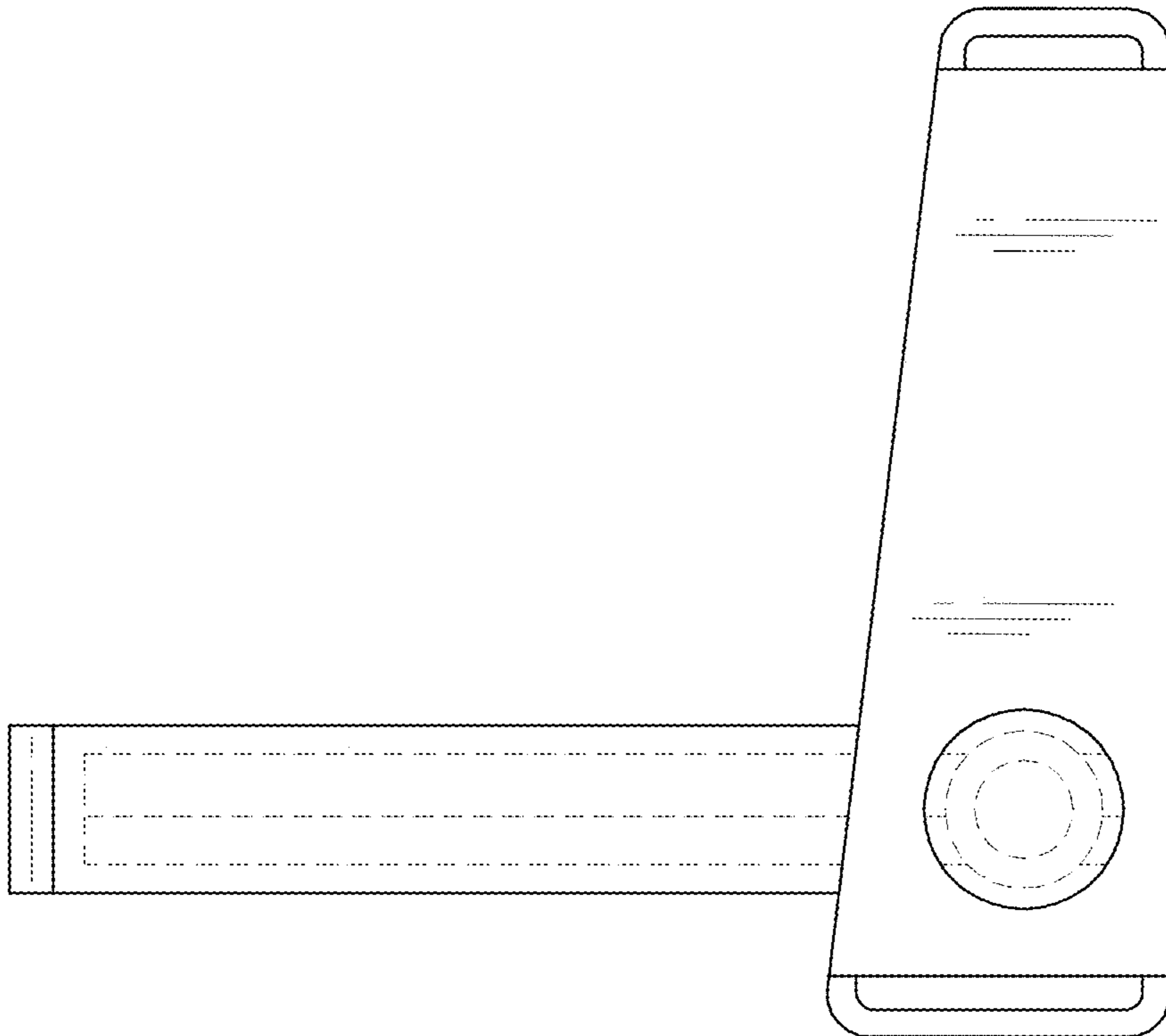


FIG. 12

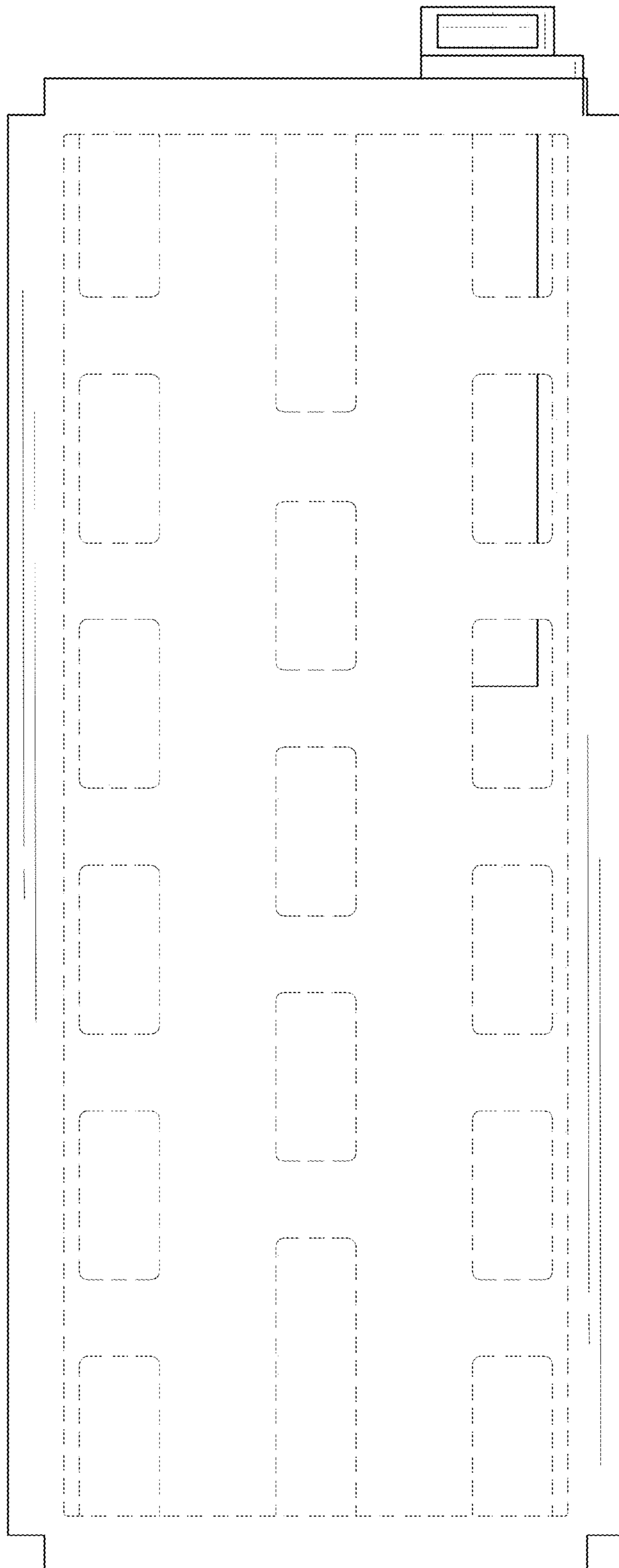


FIG. 13