



US00D907690S

(12) **United States Design Patent** (10) **Patent No.:** **US D907,690 S**  
**Damin et al.** (45) **Date of Patent:** **\*\* Jan. 12, 2021**

(54) **HINGE FOR SPECTACLES**  
(71) Applicant: **SAFILO—Società Azionaria Fabbrica Italiana Lavorazione Occhiali—S.p.A.**, Padua (IT)  
(72) Inventors: **Marco Damin**, Padua (IT); **Gianluca Russignan**, Padua (IT)  
(73) Assignee: **SAFILO—SOCIETÀ AZIONARIA FABBRICA ITALIANA LAVORAZIONE OCCHIALI—S.P.A.**, Padua (IT)  
(\*\*) Term: **15 Years**  
(21) Appl. No.: **29/597,325**  
(22) Filed: **Mar. 16, 2017**  
(30) **Foreign Application Priority Data**

Mar. 2, 2017 (EM) ..... 003780386-0001  
(51) **LOC (13) Cl.** ..... **16-06**  
(52) **U.S. Cl.**  
USPC ..... **D16/334**  
(58) **Field of Classification Search**  
USPC ..... D16/101, 300–342; D14/372; D29/109–110; 351/41, 42, 44, 45–46, 351/48–49, 59, 61, 63, 66, 67, 69, 71, 72, 351/76, 77, 78, 83, 87, 88, 93, 94, 351/99–104, 110–113, 124–126, 130–132, 351/136–137, 140–153; 2/13, 15, 2/426–432, 447–449, 441, 434–437  
CPC . G02C 5/16; G02C 5/14; G02C 5/146; G02C 5/2254; G02C 5/008; G02C 2200/08; G02C 1/06; G02C 11/02; G02C 11/04; G02C 2200/22; A61M 2021/0044; A63B 33/002  
See application file for complete search history.

(56) **References Cited**  
U.S. PATENT DOCUMENTS  
1,138,012 A \* 5/1915 Perkins ..... F16M 11/10 403/84  
D82,473 S \* 11/1930 Baker ..... D16/334  
D82,474 S \* 11/1930 Baker ..... D16/334  
D212,047 S \* 8/1968 Mankowski ..... D16/334  
(Continued)

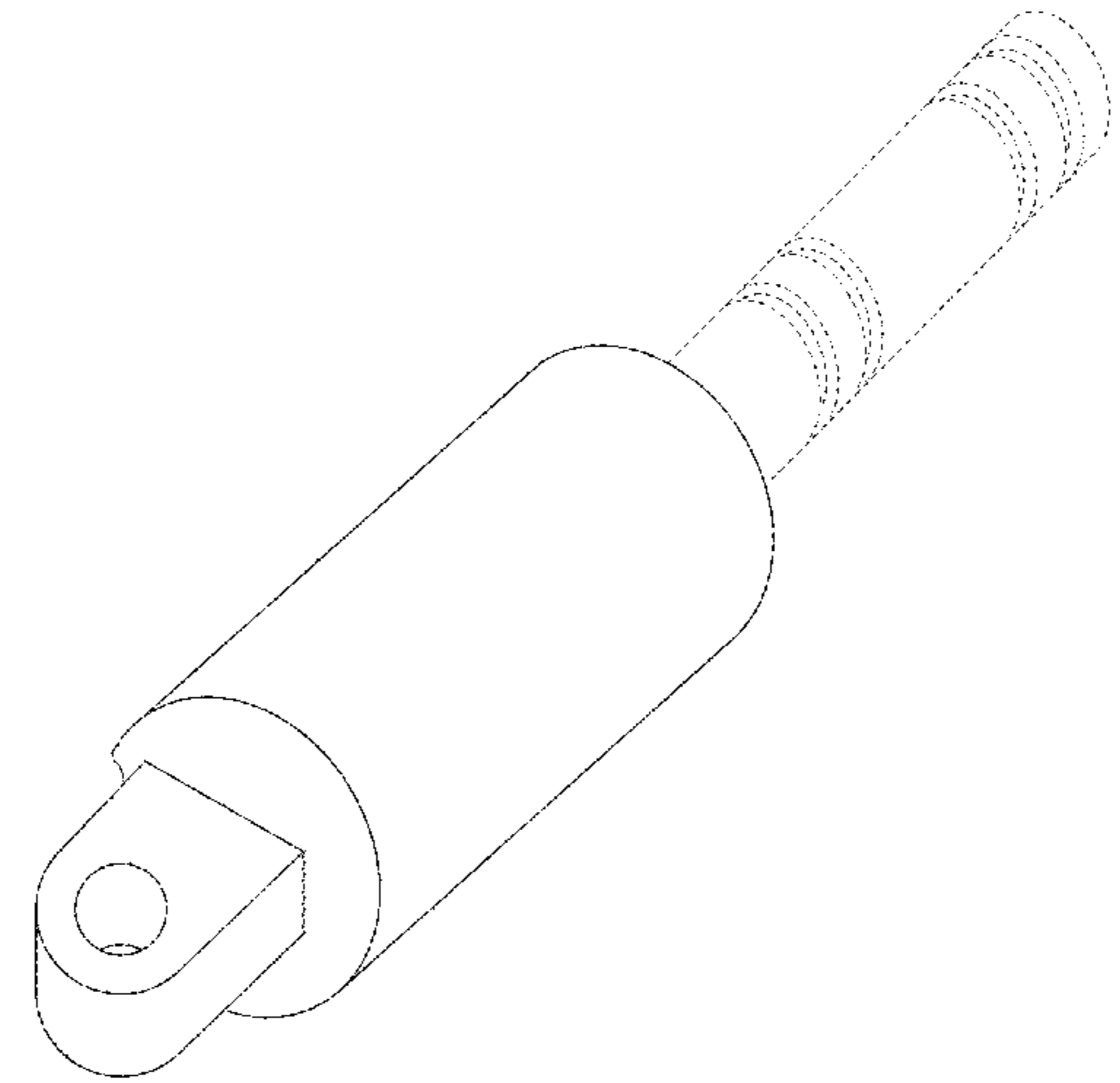
**OTHER PUBLICATIONS**  
Stainless Steel Adhesive Anchor, announced Mar. 30, 2019, [online], [site visited Sep. 17, 2019]. Available from Internet, URL: <https://www.mcmaster.com/standard-anchors> (Year: 2019).\*

*Primary Examiner* — Sanjeev Paul  
(74) *Attorney, Agent, or Firm* — Volpe Koenig

(57) **CLAIM**  
The ornamental design for a hinge for spectacles, as shown and described.

**DESCRIPTION**  
FIG. 1 is a perspective view of the hinge according to our design;  
FIG. 2 is a top plan view of the hinge of FIG. 1;  
FIG. 3 is a bottom view of the hinge of FIG. 1;  
FIG. 4 is a right side elevational view of the hinge of FIG. 1;  
FIG. 5 is a left side elevational view of the hinge of FIG. 1;  
FIG. 6 is a front elevational view of the hinge of FIG. 1;  
FIG. 7 is a rear elevational view of the hinge of FIG. 1;  
FIG. 8 is a top view of the hinge of FIG. 1 attached to the left side of a pair of spectacles;  
FIG. 9 is a perspective view of the hinge of FIG. 1 attached to the left side of a pair of spectacles; and,  
FIG. 10 is an additional perspective view of the hinge of FIG. 1 attached to the left side of a pair of spectacles.  
The broken lines of FIGS. 7-10, showing a part of the spectacles, are for environmental structure only and form no part of the claimed design.

**1 Claim, 10 Drawing Sheets**



(56)

**References Cited**

## U.S. PATENT DOCUMENTS

5,033,837 A \* 7/1991 Leonardi ..... G02C 5/146  
351/111  
D378,217 S \* 2/1997 Huang ..... D16/334  
6,086,200 A \* 7/2000 Wang-Lee ..... G02C 5/2263  
351/111  
6,474,813 B1 \* 11/2002 Yeh ..... G02C 5/2263  
351/111  
6,543,896 B1 \* 4/2003 Huang ..... G02C 5/20  
351/111  
7,261,410 B1 \* 8/2007 Chen ..... G02C 1/02  
351/110  
7,562,976 B2 \* 7/2009 Chen ..... G02C 3/003  
351/114  
7,677,722 B1 \* 3/2010 Mednick ..... A45F 5/02  
351/111  
8,820,922 B2 \* 9/2014 Haffmans ..... G02C 5/2254  
351/153  
D735,797 S \* 8/2015 Aquino ..... D16/309  
D789,441 S \* 6/2017 Aquino ..... D16/341  
D854,076 S \* 7/2019 Um ..... D16/334  
2014/0160421 A1 \* 6/2014 Kavana ..... G02C 11/00  
351/43  
2016/0334639 A1 \* 11/2016 McMillian ..... G02C 5/146  
2017/0068115 A1 \* 3/2017 Aquino ..... G02C 11/02

\* cited by examiner

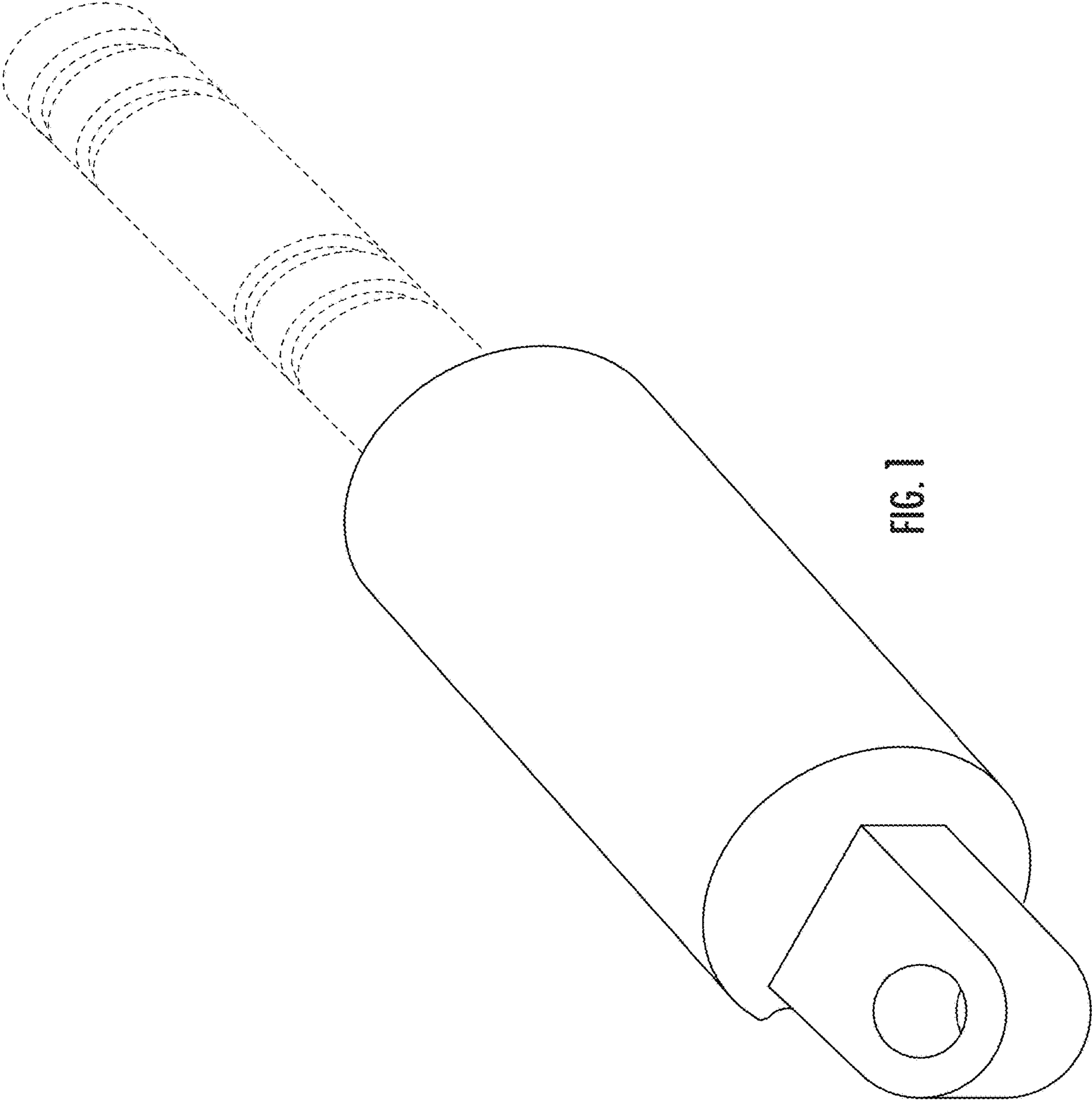


FIG. 1

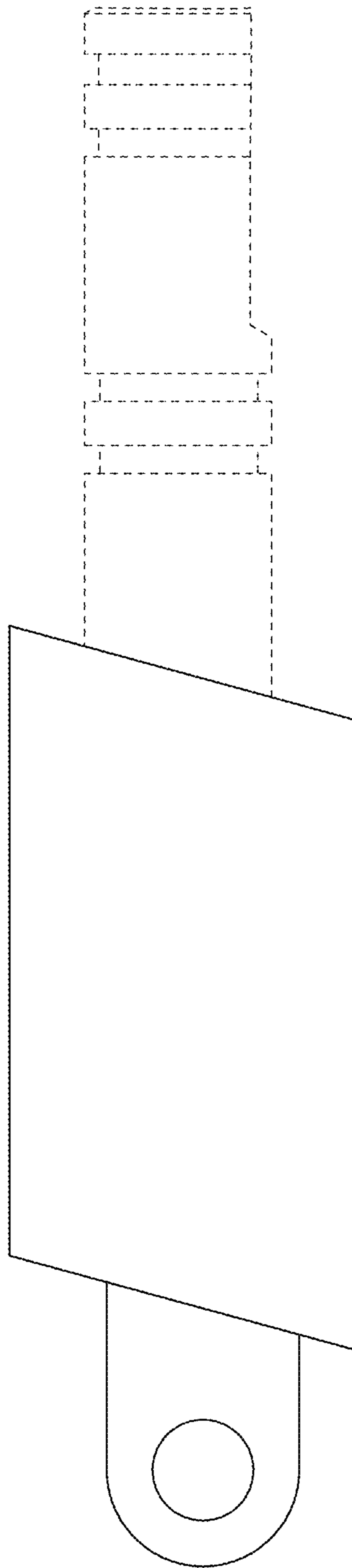


FIG. 2

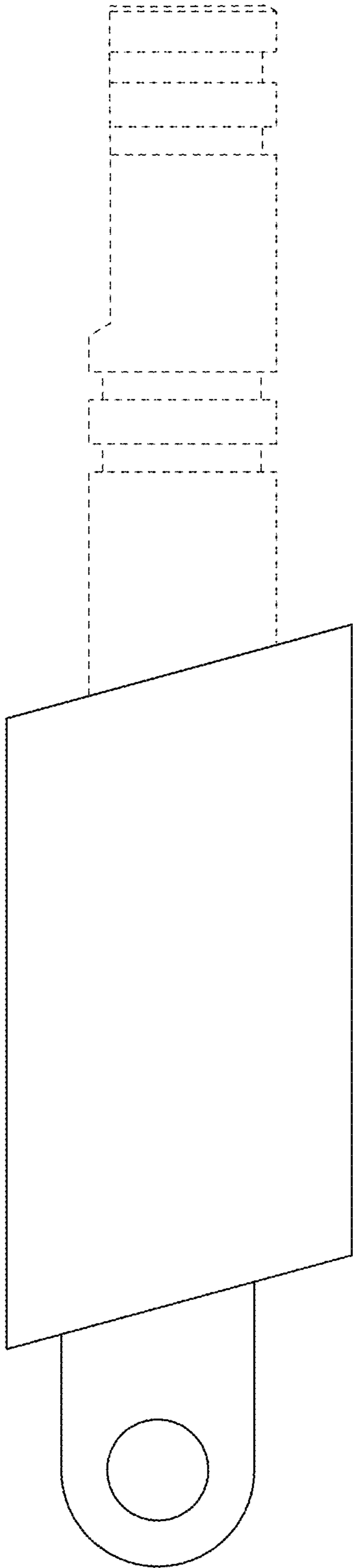


FIG. 3

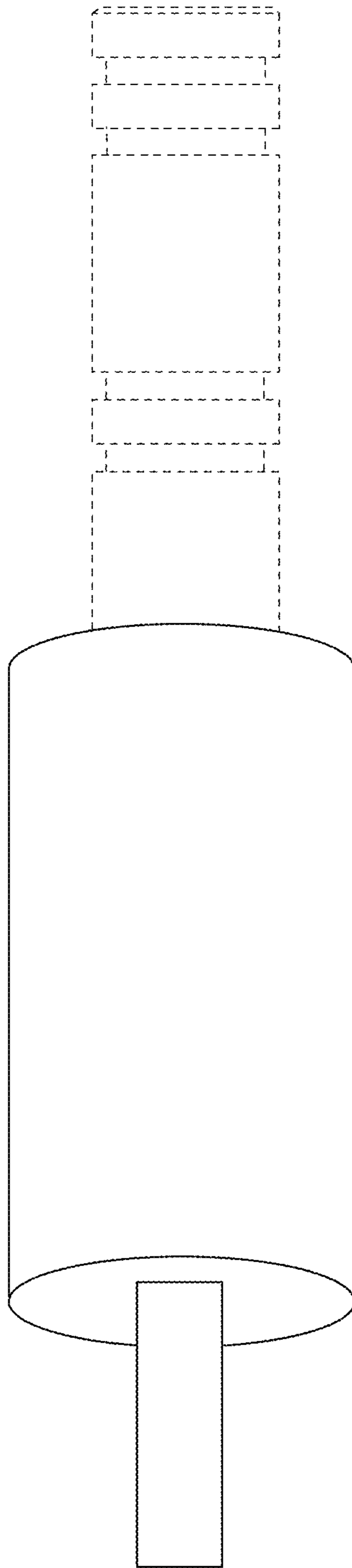


FIG. 4

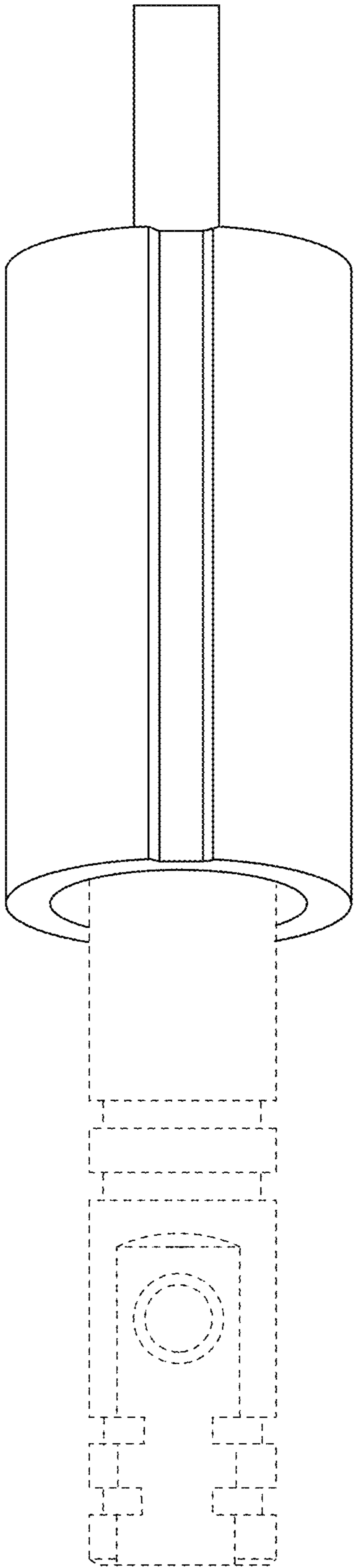


FIG. 5

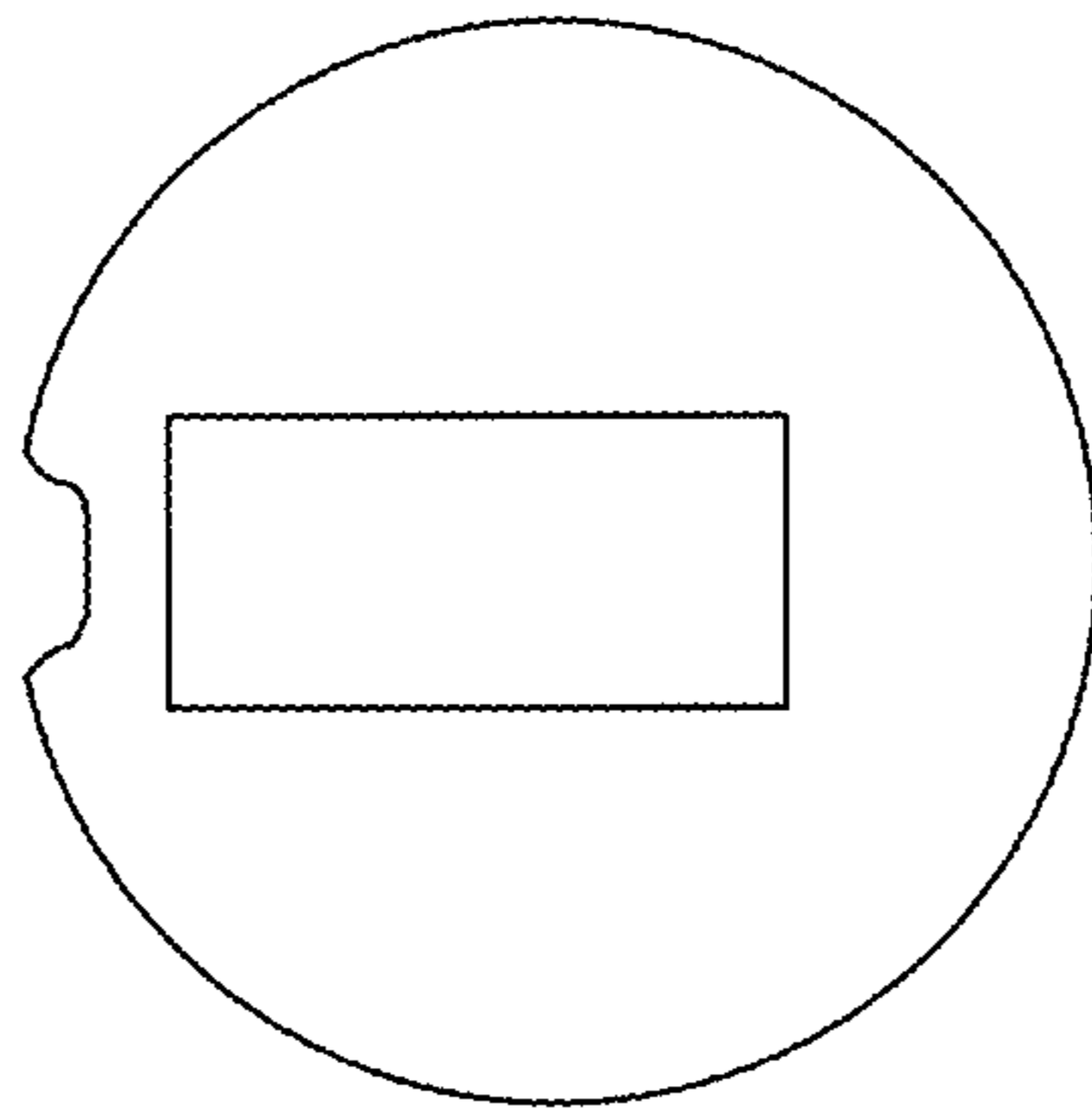


FIG. 6



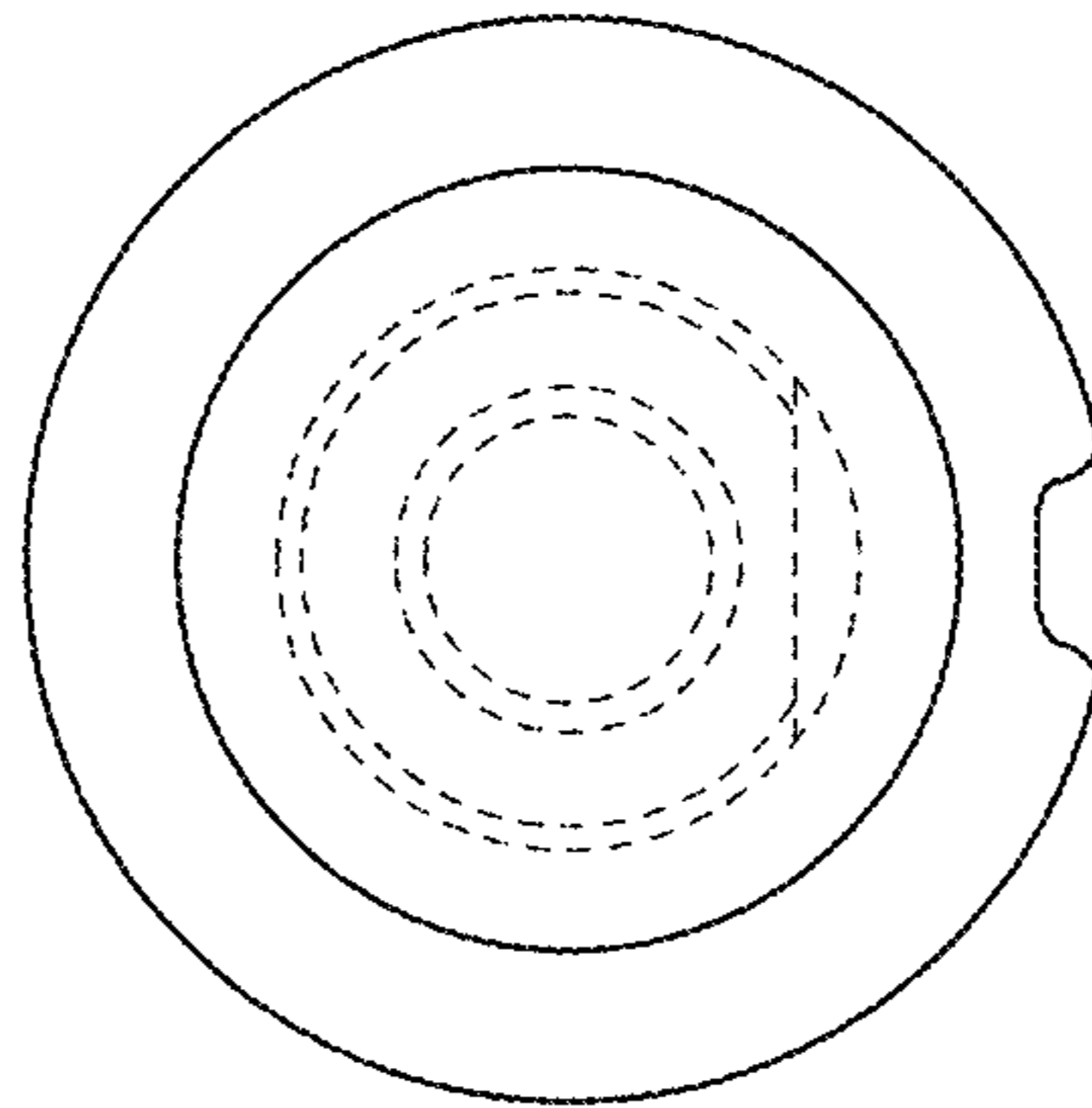


FIG. 7

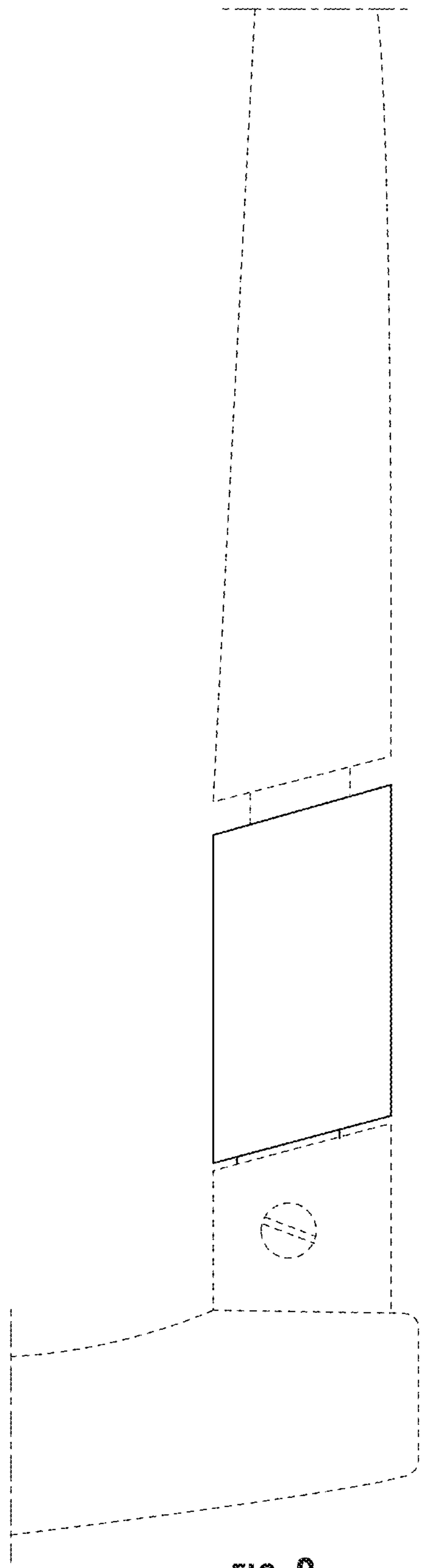


FIG. 8

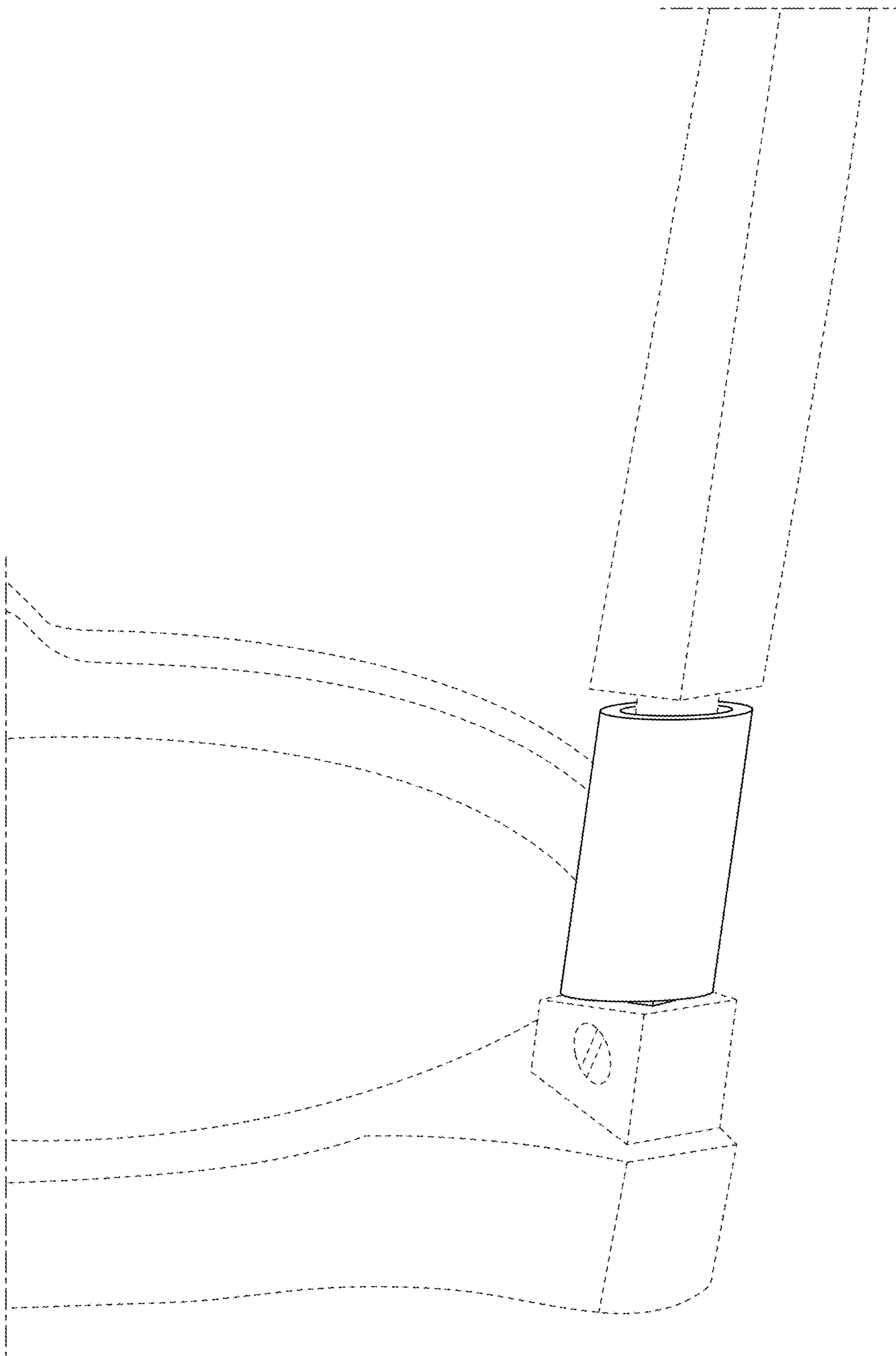


FIG. 9

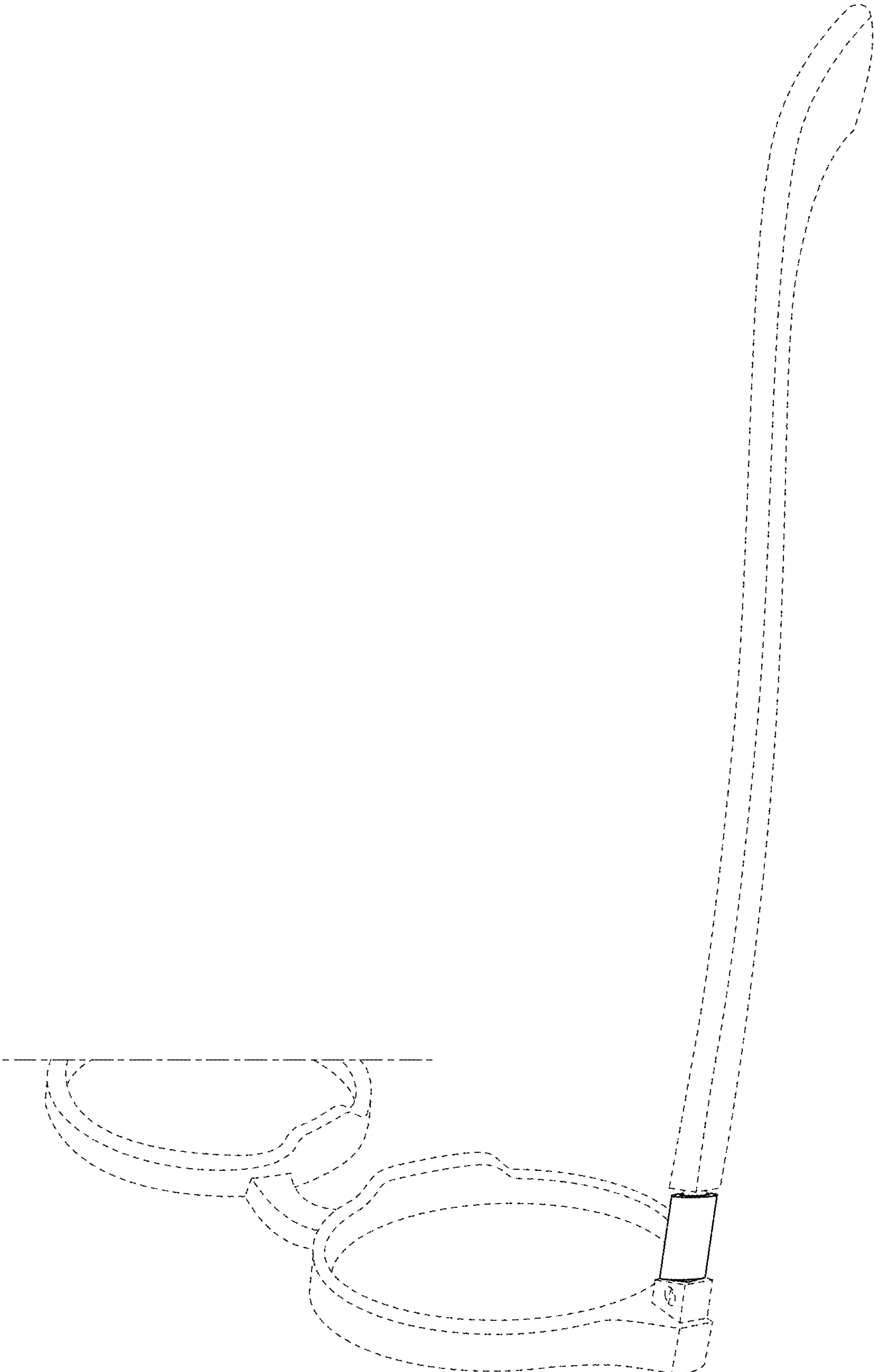


FIG. 10