



US00D907688S

(12) **United States Design Patent** (10) **Patent No.:** **US D907,688 S**  
**Du** (45) **Date of Patent:** **\*\* Jan. 12, 2021**

(54) **EYE MASK**

(71) Applicant: **SHENZHEN KAIBEIRUI TRADING CO., LTD.**, Shenzhen (CN)

(72) Inventor: **Fenghui Du**, Shenzhen (CN)

(73) Assignee: **SHENZHEN KAIBEIRUI TRADING CO., LTD.**, Shenzhen (CN)

(\*\*) Term: **15 Years**

(21) Appl. No.: **29/745,442**

(22) Filed: **Aug. 6, 2020**

(51) **LOC (13) Cl.** ..... **16-06**

(52) **U.S. Cl.**  
USPC ..... **D16/301**

(58) **Field of Classification Search**  
USPC ..... D16/301, 302, 315, 300, 314  
CPC ..... G02C 7/10; G02C 2200/12; G02C 5/008  
See application file for complete search history.

(56) **References Cited**

**U.S. PATENT DOCUMENTS**

D465,234 S	*	11/2002	Gordon	.....	D16/301
D489,749 S	*	5/2004	Landvik	.....	A61F 9/04
					D16/301
D631,500 S	*	1/2011	Schenk	.....	D16/301
D668,703 S	*	10/2012	Gordon	.....	D16/301
D775,260 S	*	12/2016	Gordon	.....	D16/301
D867,436 S		11/2019	Lian		
D867,437 S		11/2019	Lian		

**OTHER PUBLICATIONS**

Blulu Sleep Headphones, posted at amazon.com, posting date Sep. 8, 2019, [online], [site visited Nov. 19, 2020]. Available from Internet, URL: <https://www.amazon.com/dp/B07XNYXW5S/> (Year: 2019).\*

Fulext Sleep Headphones, posted at amazon.com, posting date Jun. 18, 2020, [online], [site visited Nov. 19, 2020]. Available from Internet, URL: <https://www.amazon.com/Fulext-Headphones-Bluetooth-Wireless-Ultra-Thin/dp/B08BFJYTVV/> (Year: 2020).\*  
MOITA Sleep Headphones, posted at amazon.com, posting date Nov. 28, 2019, [online], [site visited Nov. 19, 2020]. Available from Internet, URL: <https://www.amazon.com/dp/B0824L39FX/?th=1> (Year: 2019).\*  
Number-one Wireless Sleep Mask, posted at amazon.com, posting date Sep. 29, 2019, [online], [site visited Nov. 19, 2020]. Available from Internet, URL: <https://www.amazon.com/dp/B07YJTNM27/> (Year: 2019).\*  
POSNIUD Sleep Headphones, posted at amazon.com, posting date Aug. 13, 2020, [online], [site visited Nov. 19, 2020]. Available from Internet, URL: <https://www.amazon.com/POSNIUD-Headphones-Bluetooth-Ultra-Thin-Meditation/dp/B08FTHB6D8> (Year: 2020).\*

(Continued)

*Primary Examiner* — George D. Kirschbaum  
*Assistant Examiner* — Maria J. Edwards

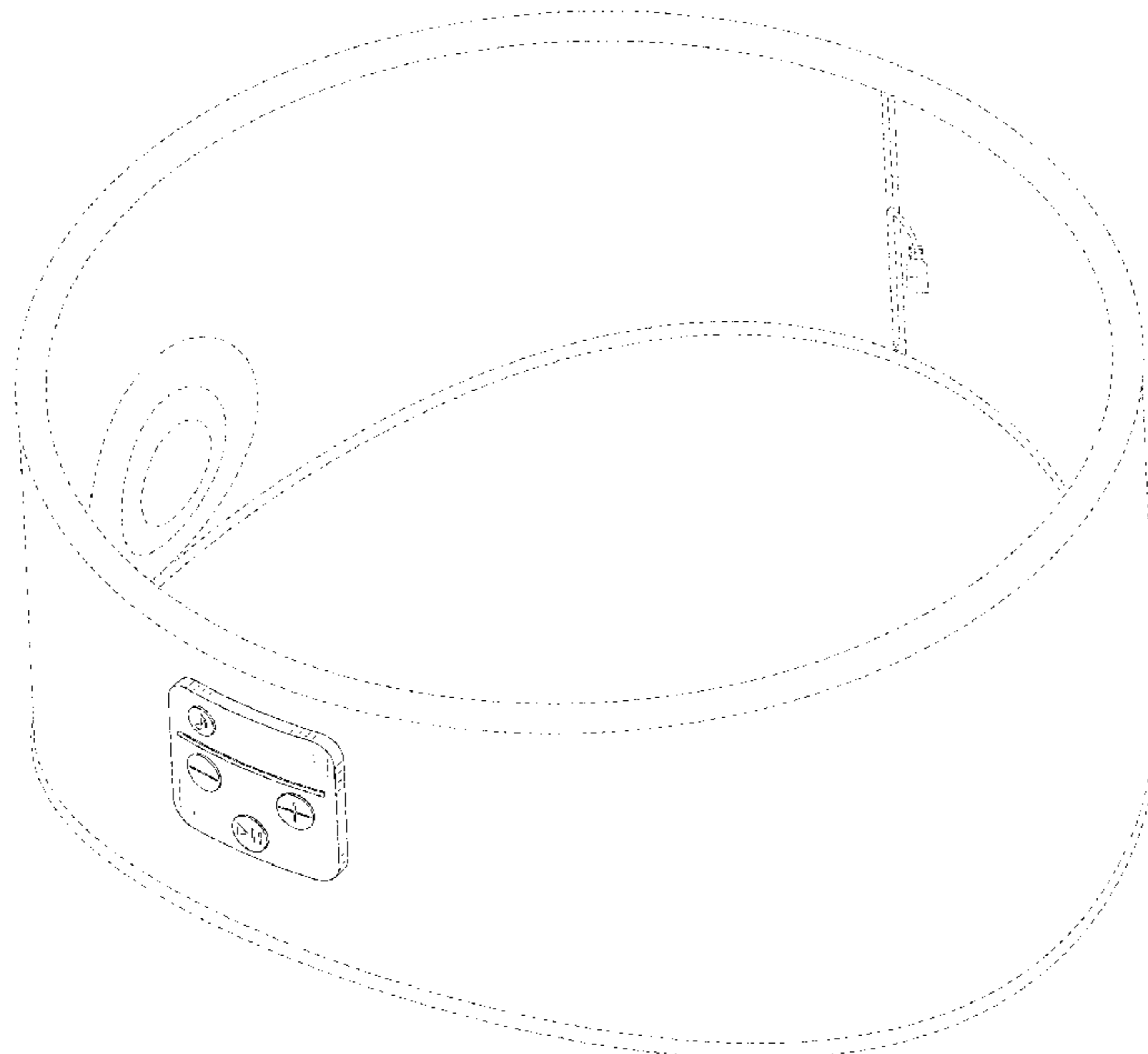
(57) **CLAIM**

The ornamental design for an eye mask, as shown and described.

**DESCRIPTION**

FIG. 1 is a perspective view of an eye mask showing my new design;  
FIG. 2 is another perspective view thereof;  
FIG. 3 is a front elevational view thereof;  
FIG. 4 is a rear elevational view thereof;  
FIG. 5 is a left side elevational view thereof;  
FIG. 6 is a right side elevational view thereof;  
FIG. 7 is a top plan view thereof; and,  
FIG. 8 is a bottom plan view thereof.  
The broken lines in the drawings depict portions of the eye mask that form no part of the claimed design.

**1 Claim, 8 Drawing Sheets**



(56)

**References Cited**

OTHER PUBLICATIONS

Sleep Headphones Bluetooth 3D Eye Mask, posted at amazon.com, posting date Jun. 4, 2020, [online], [site visited Nov. 19, 2020]. Available from Internet, URL: <https://www.amazon.com/Sleep-Headphones-Boodlab-Ultra-Thin-Adjustable/dp/B089NCRJYS> (Year: 2020).\*

Unimi Sleep Headphones, posted at amazon.com, posting date Jul. 13, 2020, [online], [site visited Nov. 19, 2020]. Available from Internet, URL: <https://www.amazon.com/dp/B08CV3C6WF/> (Year: 2020).\*

XOTUUY Sleep Headphones, posted at amazon.com, posting date Aug. 20, 2020, [online], [site visited Nov. 19, 2020]. Available from Internet, URL: <https://www.amazon.com/XOTUUY-Headphones-Bluetooth-Ultra-Thin-Meditation/dp/B08GC5BL8R/> (Year: 2020).\*

\* cited by examiner

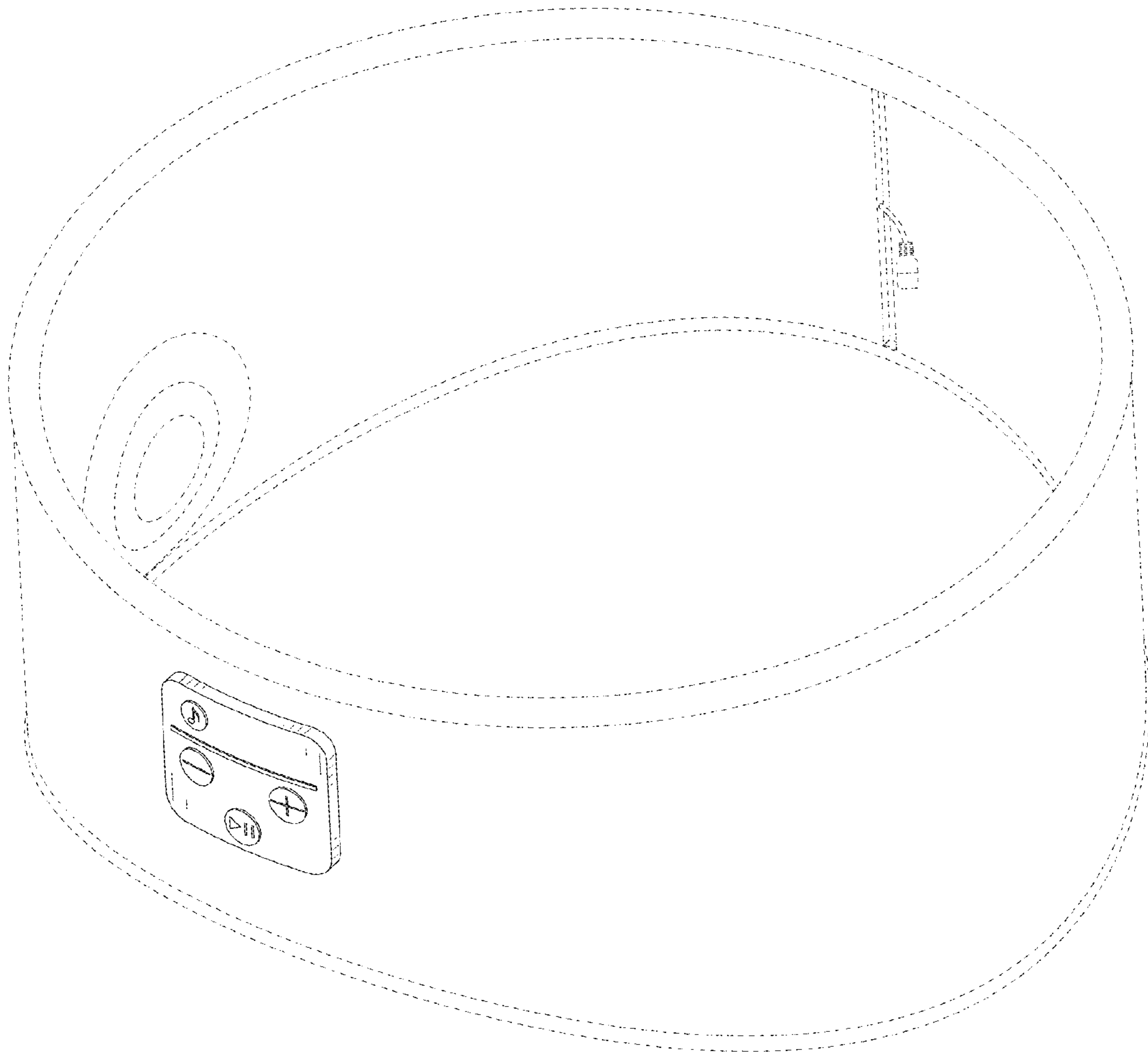


FIG. 1

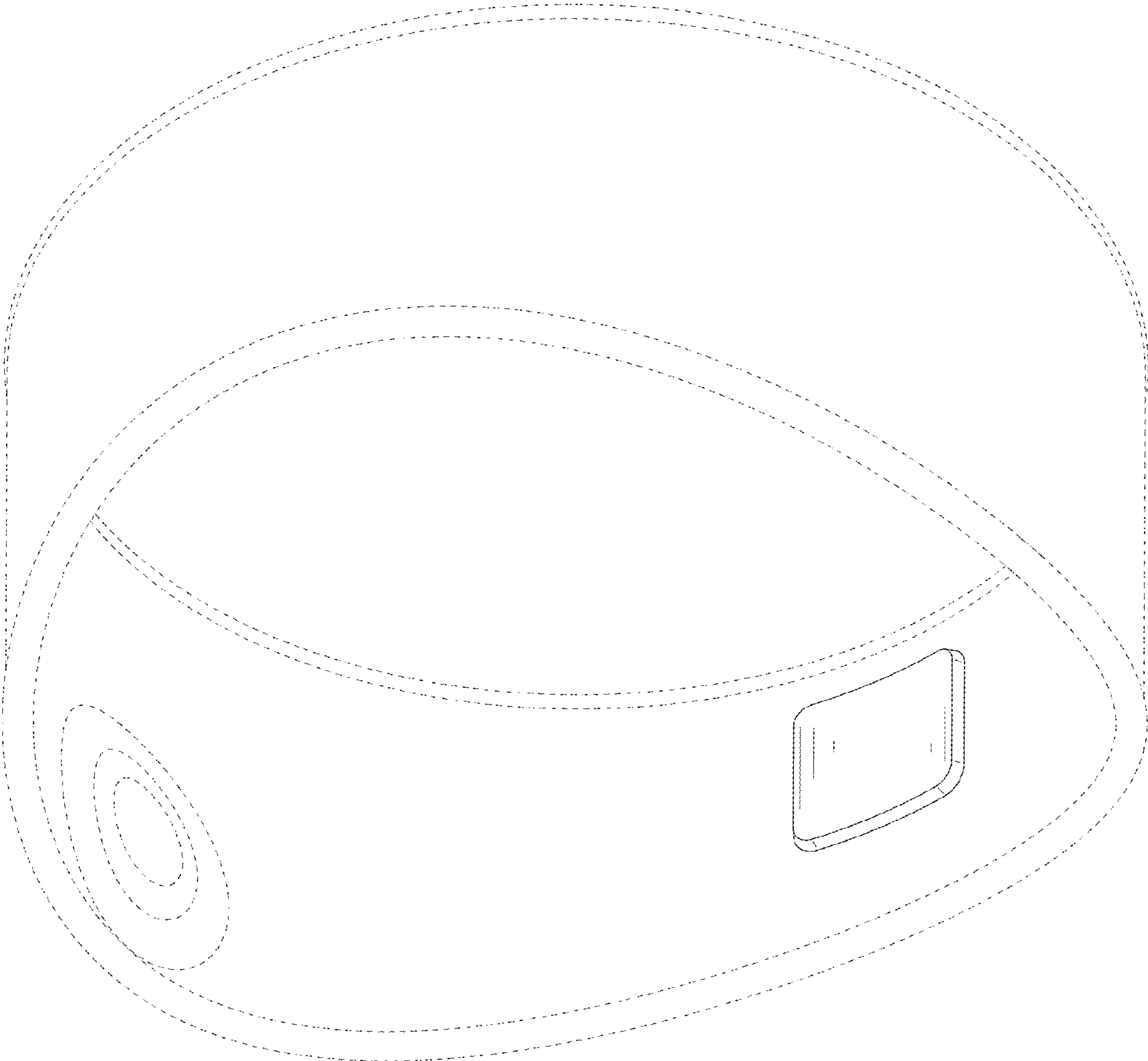


FIG. 2

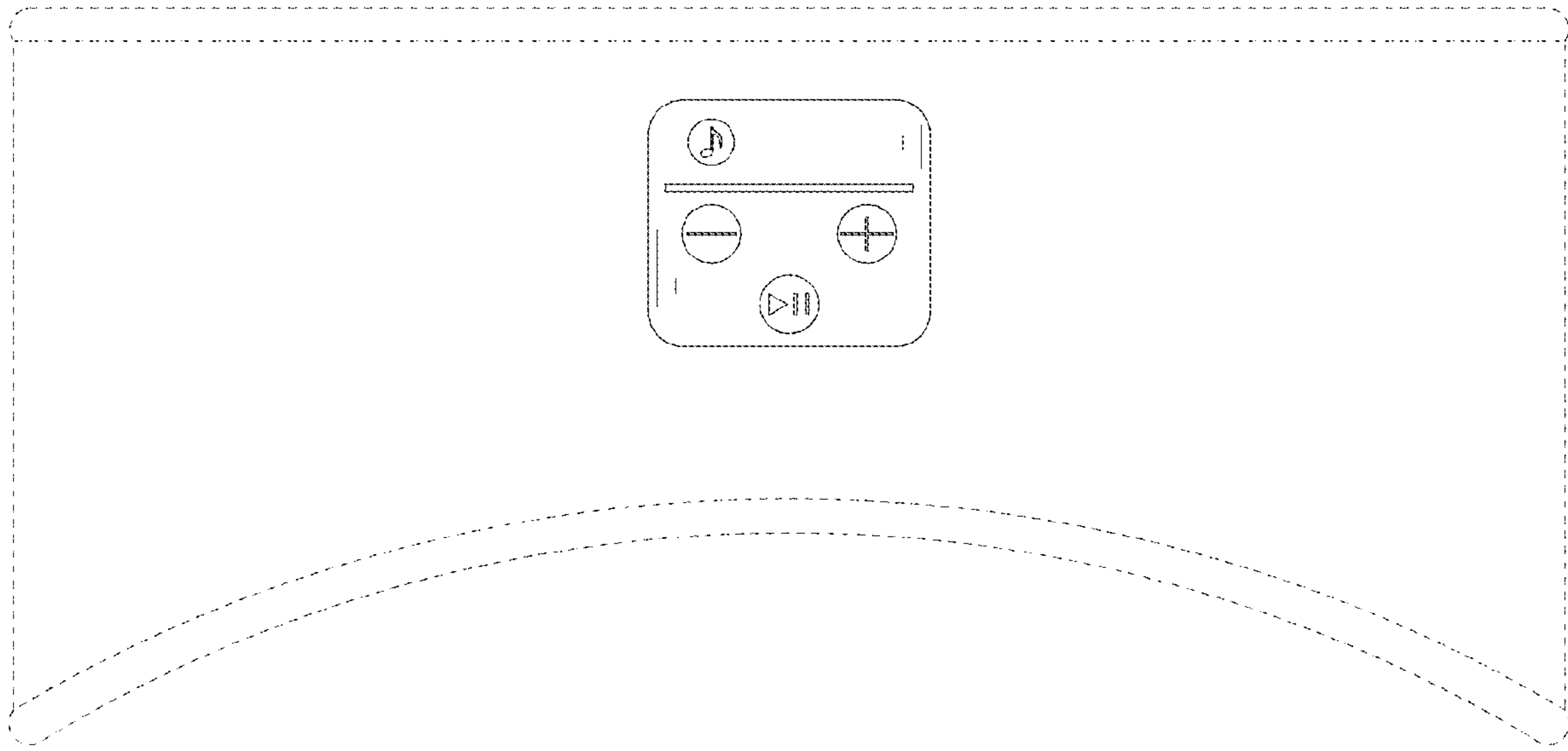


FIG. 3

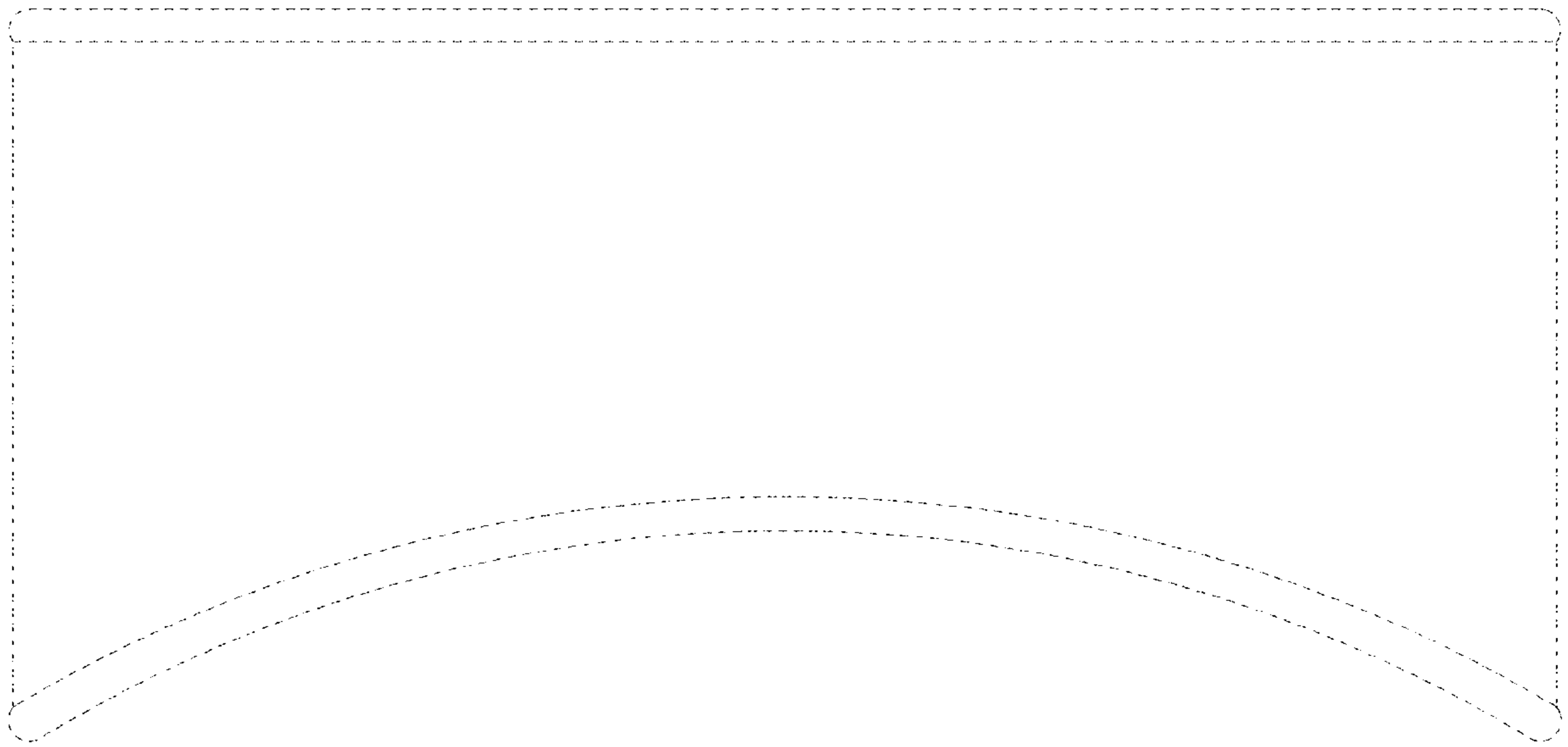


FIG. 4



FIG. 5

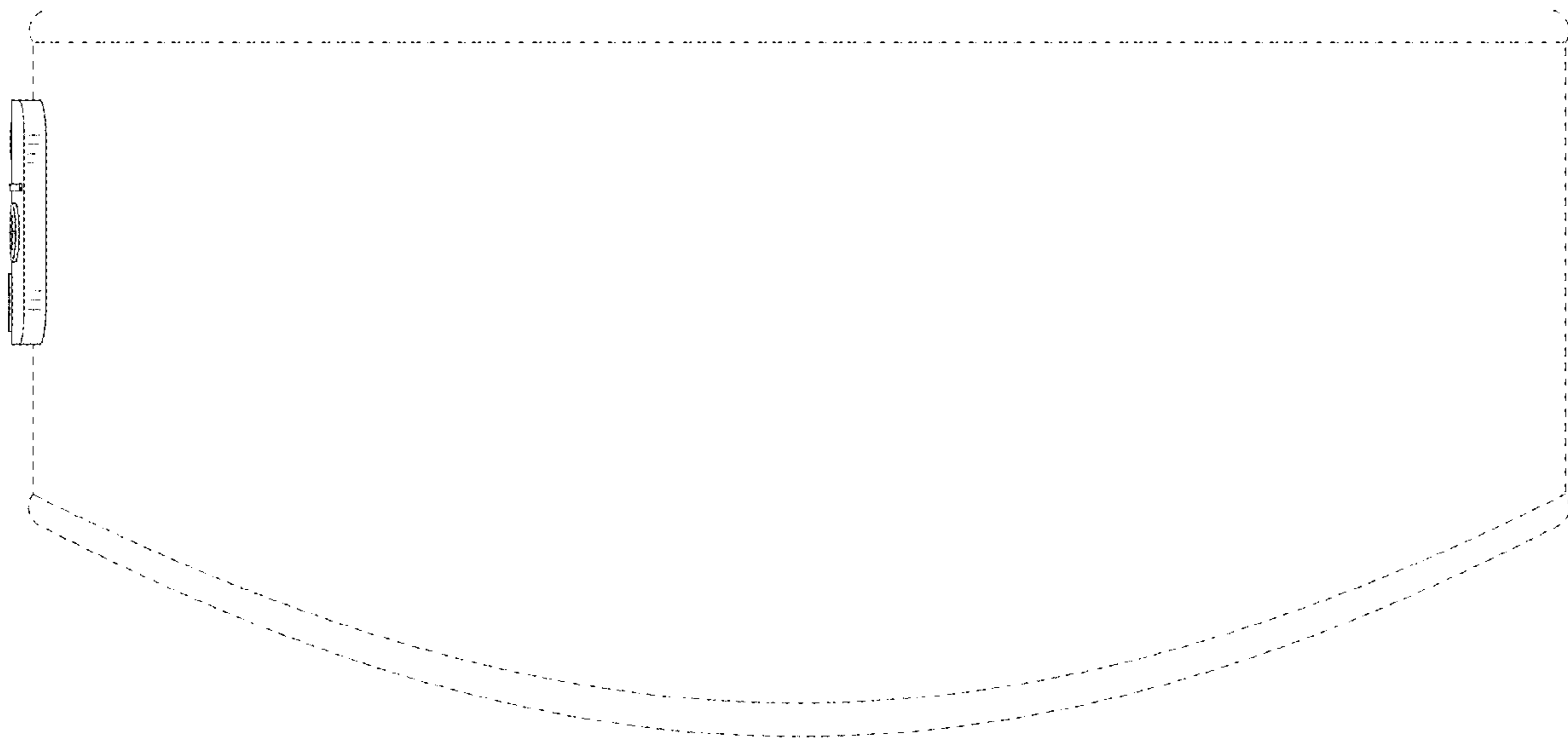


FIG. 6



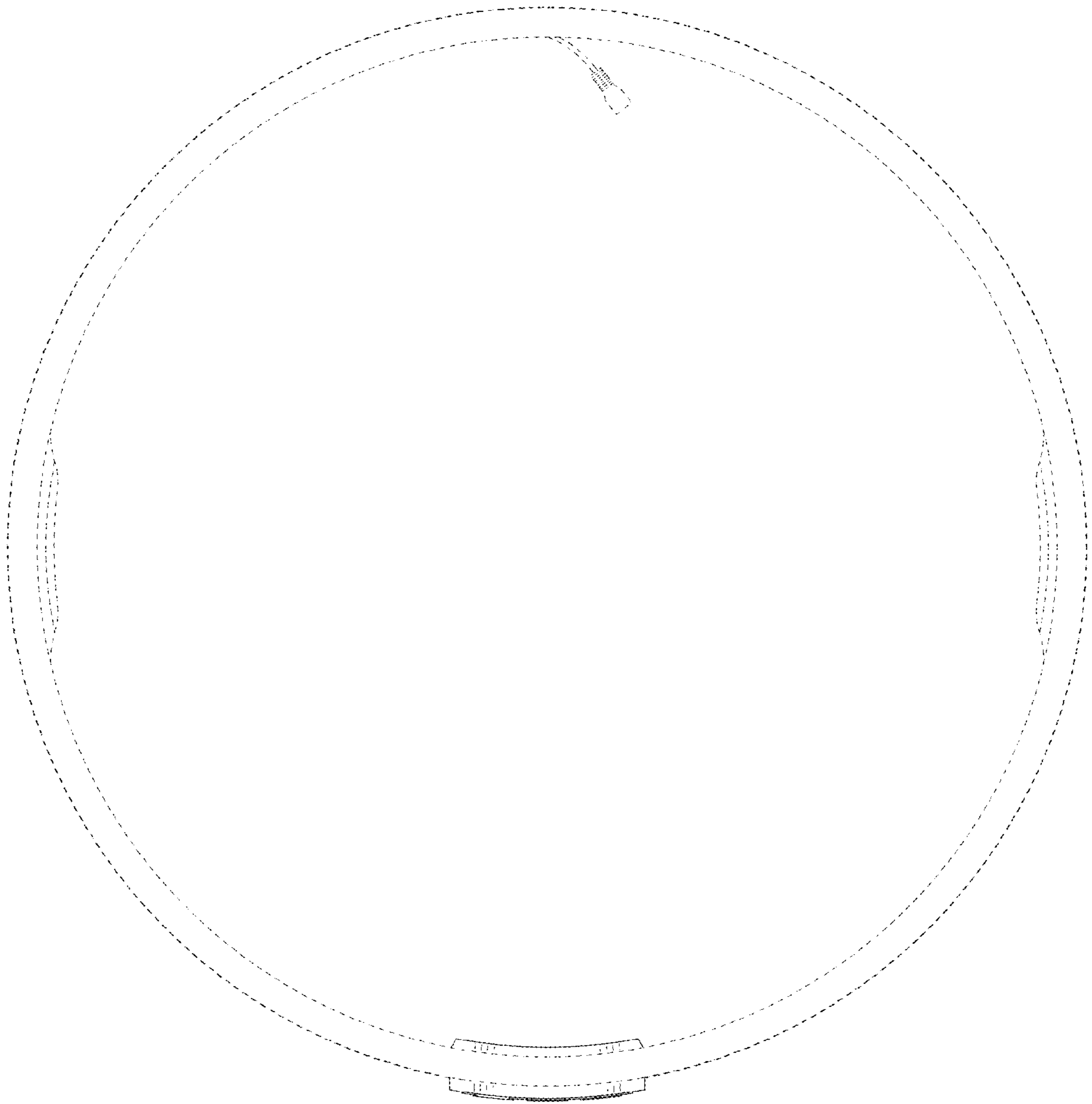


FIG. 7

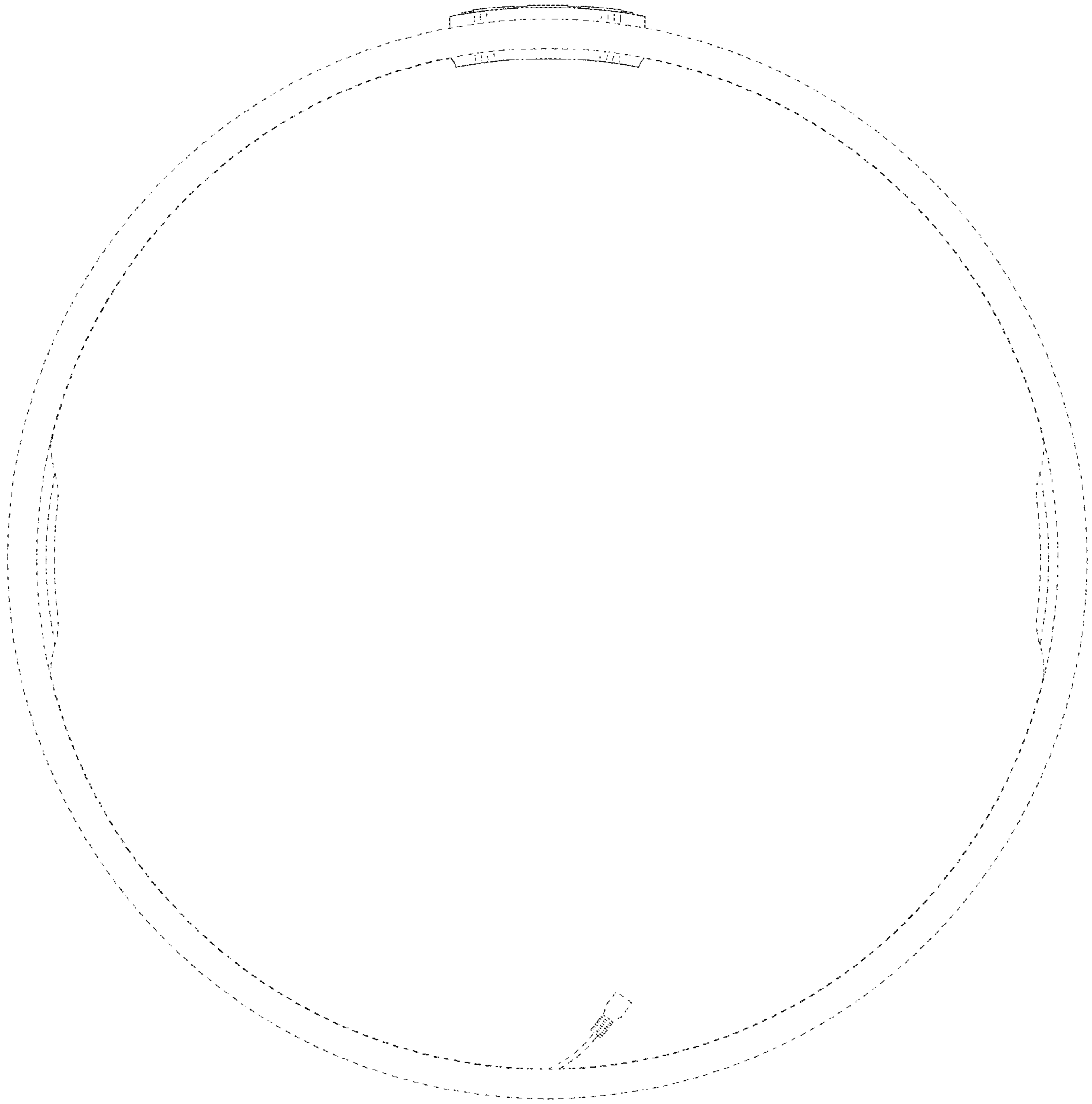


FIG. 8