



US00D907687S

(12) **United States Design Patent**  
**Fang**

(10) **Patent No.:** **US D907,687 S**

(45) **Date of Patent:** **\*\* Jan. 12, 2021**

(54) **SELFIE STICK WITH TRIPOD**

(71) Applicant: **Guixiong Fang**, Guangdong (CN)

(72) Inventor: **Guixiong Fang**, Guangdong (CN)

(\*\*) Term: **15 Years**

(21) Appl. No.: **29/698,558**

(22) Filed: **Jul. 17, 2019**

(30) **Foreign Application Priority Data**

Jan. 31, 2019 (CN) ..... 2019 3 0056130

(51) **LOC (13) Cl.** ..... **16-05**

(52) **U.S. Cl.**  
USPC ..... **D16/244**

(58) **Field of Classification Search**  
USPC ..... D16/219, 237-250; D8/354, 355, 363,  
D8/373, 382-383, 394-396; D14/224,  
D14/229, 238, 251, 253, 447, 451, 457  
CPC ..... G02B 7/00-0002; A45F 5/00; A45F 5/10;  
A45F 2200/0508-0533; F16M 11/06-10;  
F16M 11/14; G03B 17/56; G03B  
17/561-566; H04N 5/2253-2254  
See application file for complete search history.

(56) **References Cited**

**U.S. PATENT DOCUMENTS**

D673,204 S *	12/2012	Bae	.....	D16/244
D715,791 S *	10/2014	Yu	.....	D14/253
D765,649 S *	9/2016	Huang	.....	D14/253
D765,650 S *	9/2016	Huang	.....	D14/253
D799,465 S *	10/2017	Sukphist	.....	D14/253
D800,206 S *	10/2017	Moon	.....	D16/244
9,851,625 B1 *	12/2017	Fernandez	.....	F16M 11/242
D821,483 S *	6/2018	Vitale	.....	D16/244
D837,868 S *	1/2019	Shan	.....	D16/243

(Continued)

**OTHER PUBLICATIONS**

2020 Mini Selfie Stick Tripod With Rear Mirror. [online] Published on Aug. 15, 2019. Retrieved Oct. 8, 2020 from URL: <https://www.dhgate.com/product/mini-selfie-stick-tripod-with-rear-mirror/457255013.html>.\*

(Continued)

*Primary Examiner* — Vy N Koenig

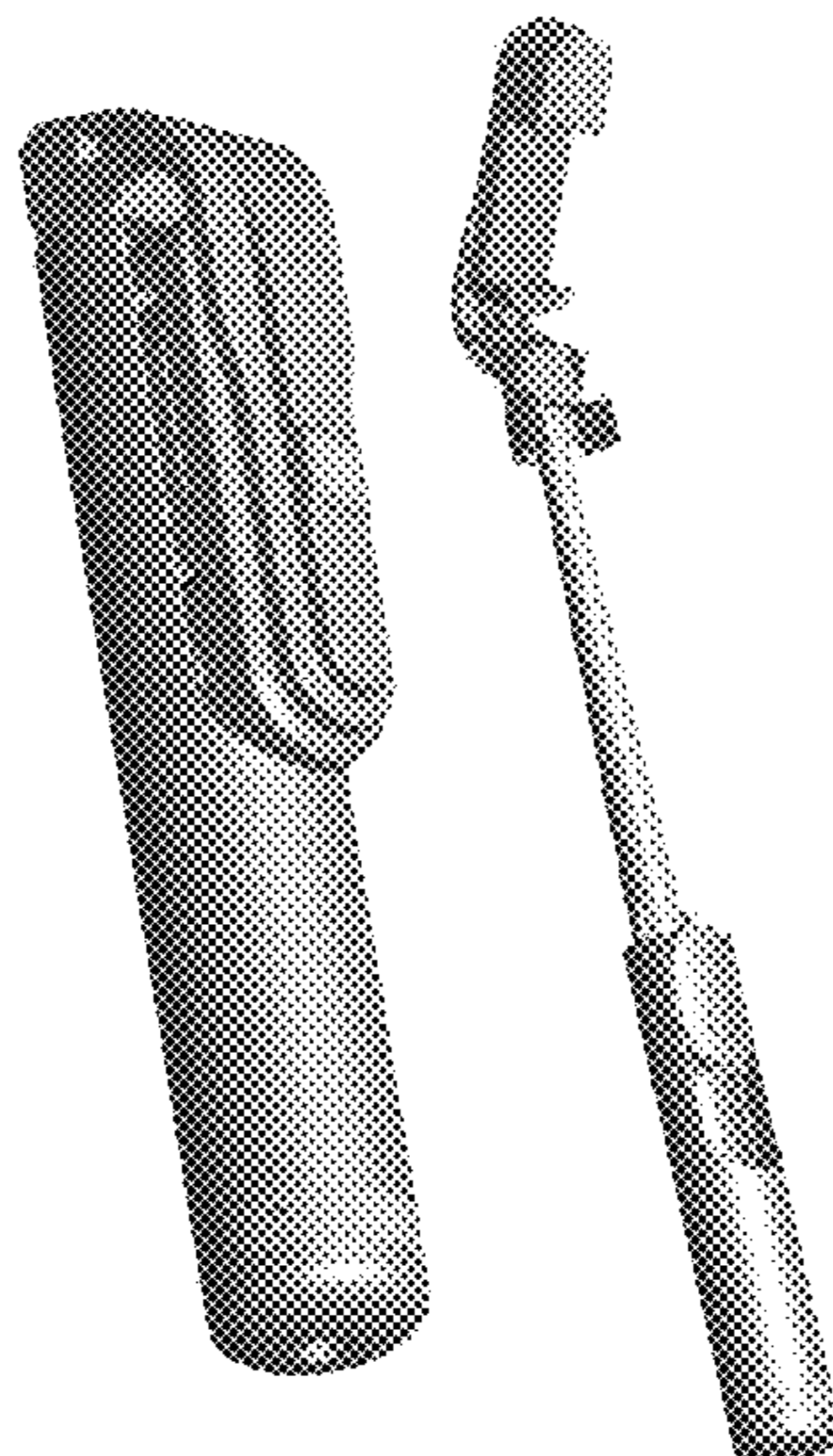
(57) **CLAIM**

The ornamental design for a selfie stick with tripod, as shown and described.

**DESCRIPTION**

FIG. 1 is a front elevational view of a selfie stick with tripod showing my new design in a folded status; FIG. 2 is a rear elevational view of FIG. 1; FIG. 3 is a left side view of FIG. 1; FIG. 4 is a right side view of FIG. 1; FIG. 5 is a top plan view of FIG. 1; FIG. 6 is a bottom plan view of FIG. 1; FIG. 7 is a front, left and bottom perspective view of FIG. 1; FIG. 8 is a front elevational view of the selfie stick with tripod in a handheld status; FIG. 9 is a rear elevational view of FIG. 8; FIG. 10 is a left side view of FIG. 8; FIG. 11 is a right side view of FIG. 8; FIG. 12 is a top plan view of FIG. 8; FIG. 13 is a bottom plan view of FIG. 8; FIG. 14 is a front, left and bottom perspective view of FIG. 8; FIG. 15 is a front elevational view of the selfie stick with tripod in a standing status; FIG. 16 is a rear elevational view of FIG. 15; FIG. 17 is a left side view of FIG. 15; FIG. 18 is a right side view of FIG. 15; FIG. 19 is a top plan view of FIG. 15; FIG. 20 is a bottom plan view of FIG. 15; and, FIG. 21 is a front and left side perspective view of FIG. 15.

**1 Claim, 21 Drawing Sheets**



(56)

**References Cited**

U.S. PATENT DOCUMENTS

D841,724 S \* 2/2019 Huang ..... D16/243  
10,247,353 B1 \* 4/2019 Chen ..... F16B 2/12  
10,302,244 B2 \* 5/2019 Lu ..... G03B 17/561  
D852,872 S \* 7/2019 Fang ..... D16/243  
D852,873 S \* 7/2019 Fang ..... D16/243  
D860,298 S \* 9/2019 Balmer ..... D16/244  
D871,492 S \* 12/2019 Xiao ..... D16/244  
D881,263 S \* 4/2020 Xia ..... D16/245  
D882,672 S \* 4/2020 Xia ..... D16/243  
D883,369 S \* 5/2020 Xia ..... D16/243  
10,718,466 B2 \* 7/2020 Chen ..... F16M 11/38  
D893,582 S \* 8/2020 Vitale ..... D16/244  
2020/0217452 A1 \* 7/2020 Shan ..... G03B 17/40

OTHER PUBLICATIONS

Gimbal Stabilizer Bluetooth Remote Foldable Selfie Stick Tripod.  
[online] Retrieved Oct. 8, 2020 from URL: <https://www.ebay.com/itm/Gimbal-Stabilizer-Bluetooth-Remote-Foldable-Selfie-Stick-Tripod-Monopod-w-LED-US-/264429563139>.\*

\* cited by examiner

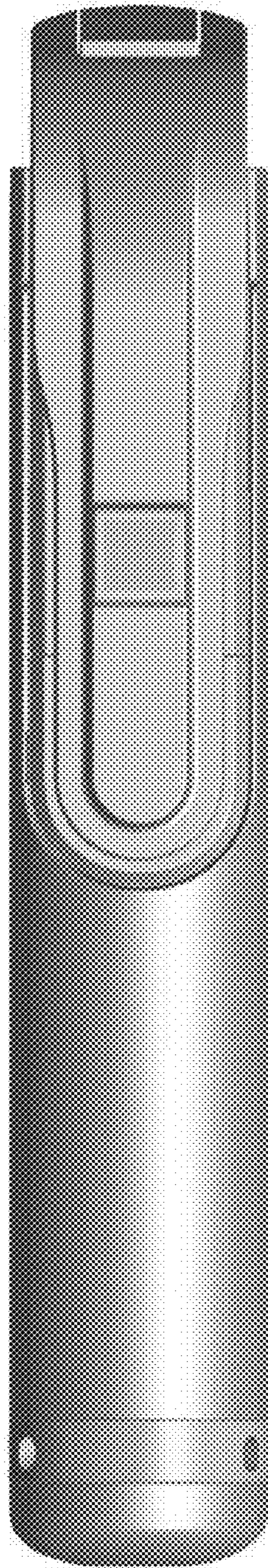


Fig. 1

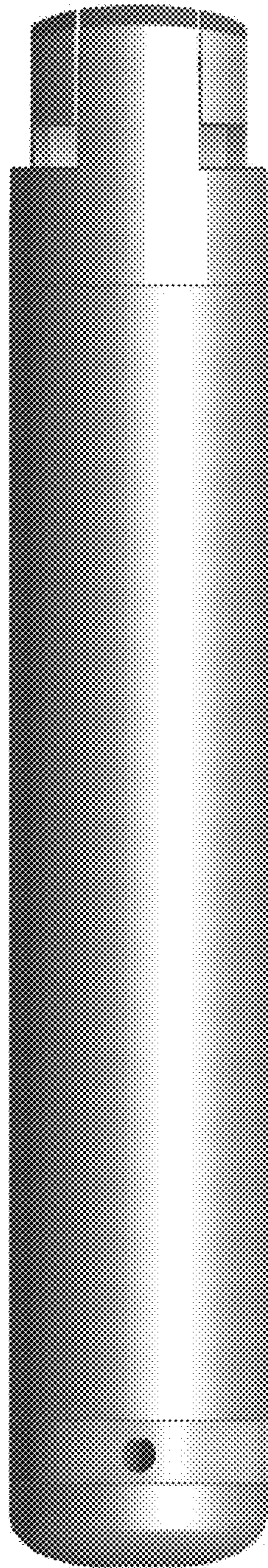


Fig. 2

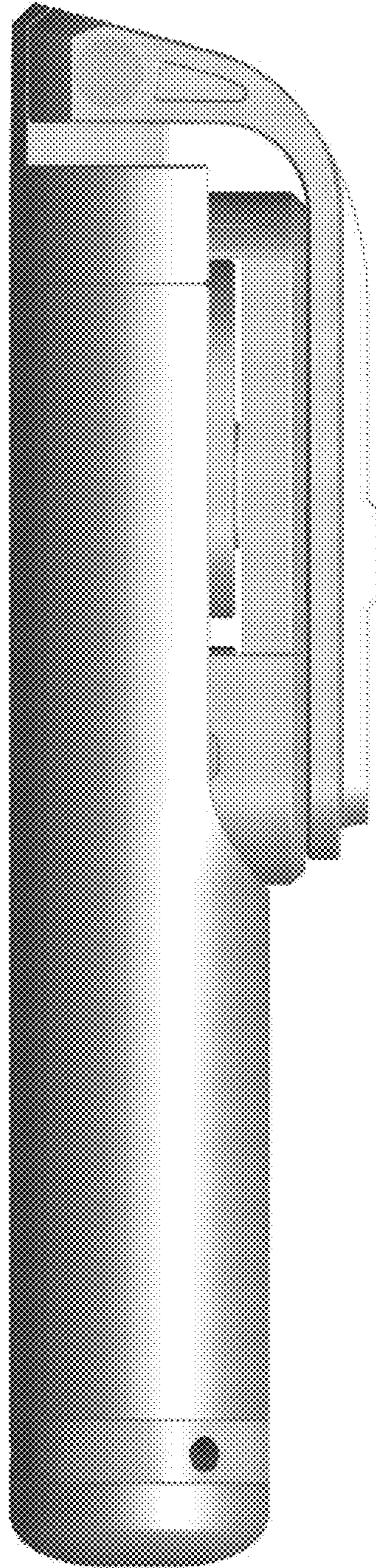


Fig. 3

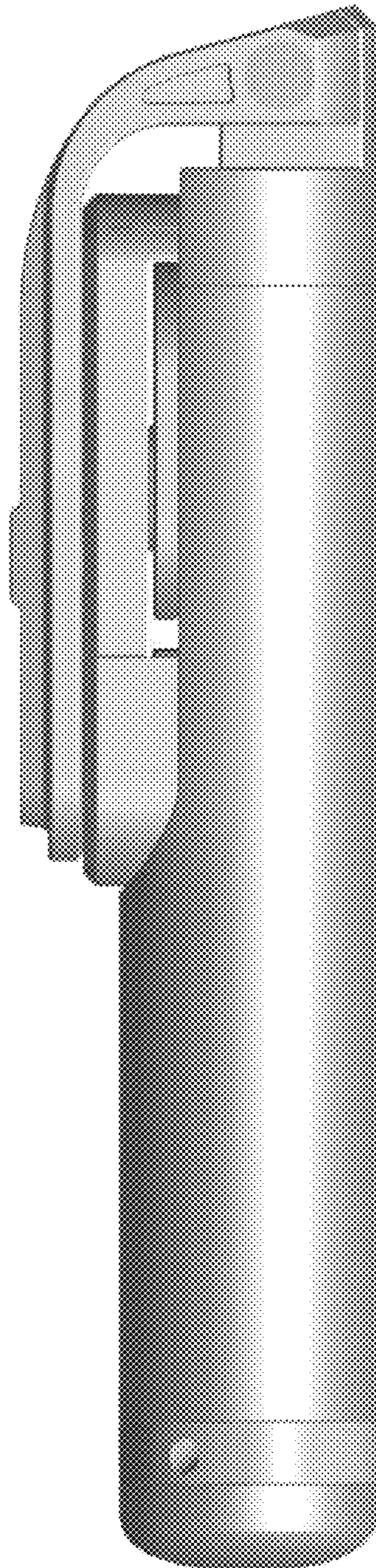


Fig. 4

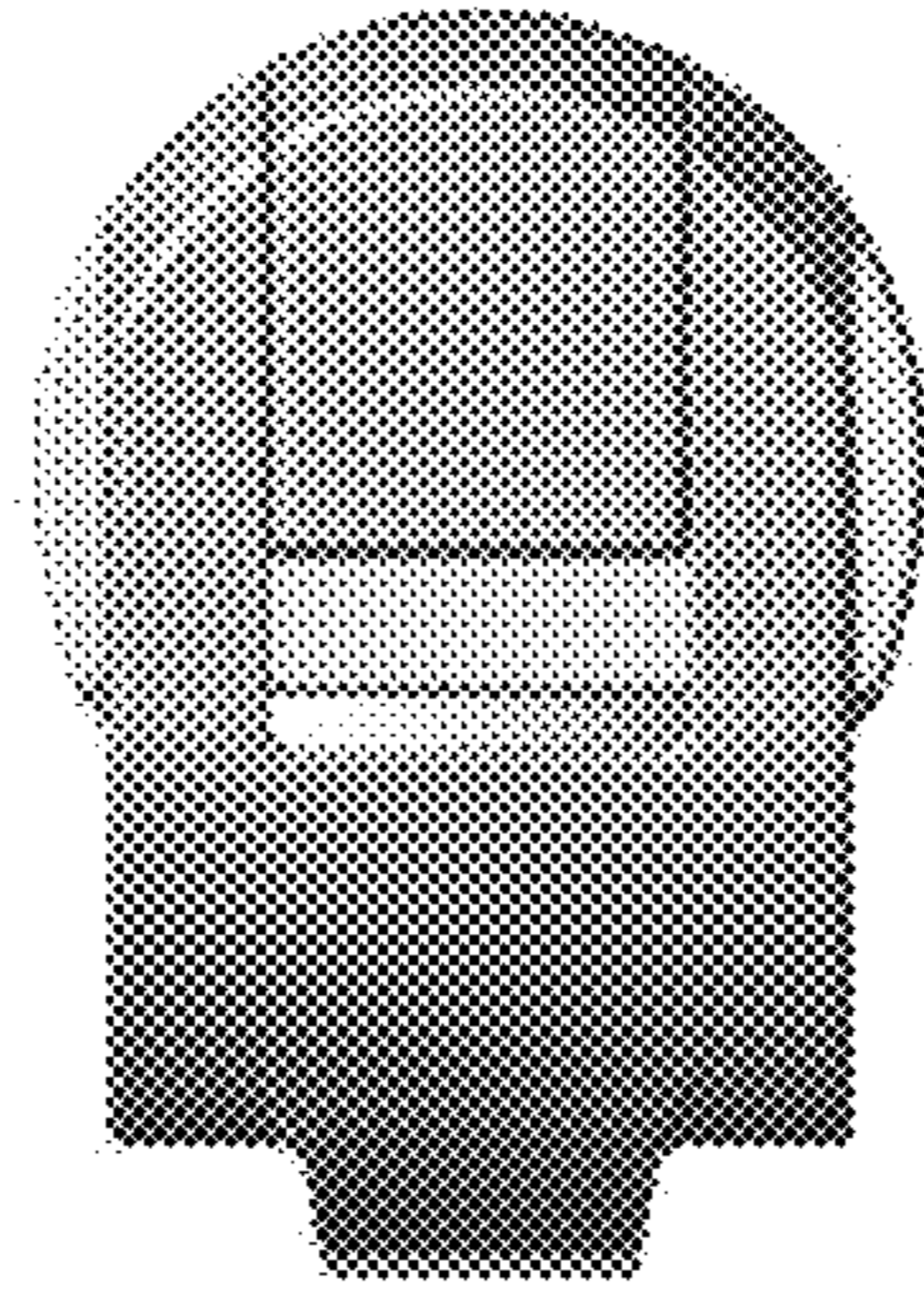


Fig. 5

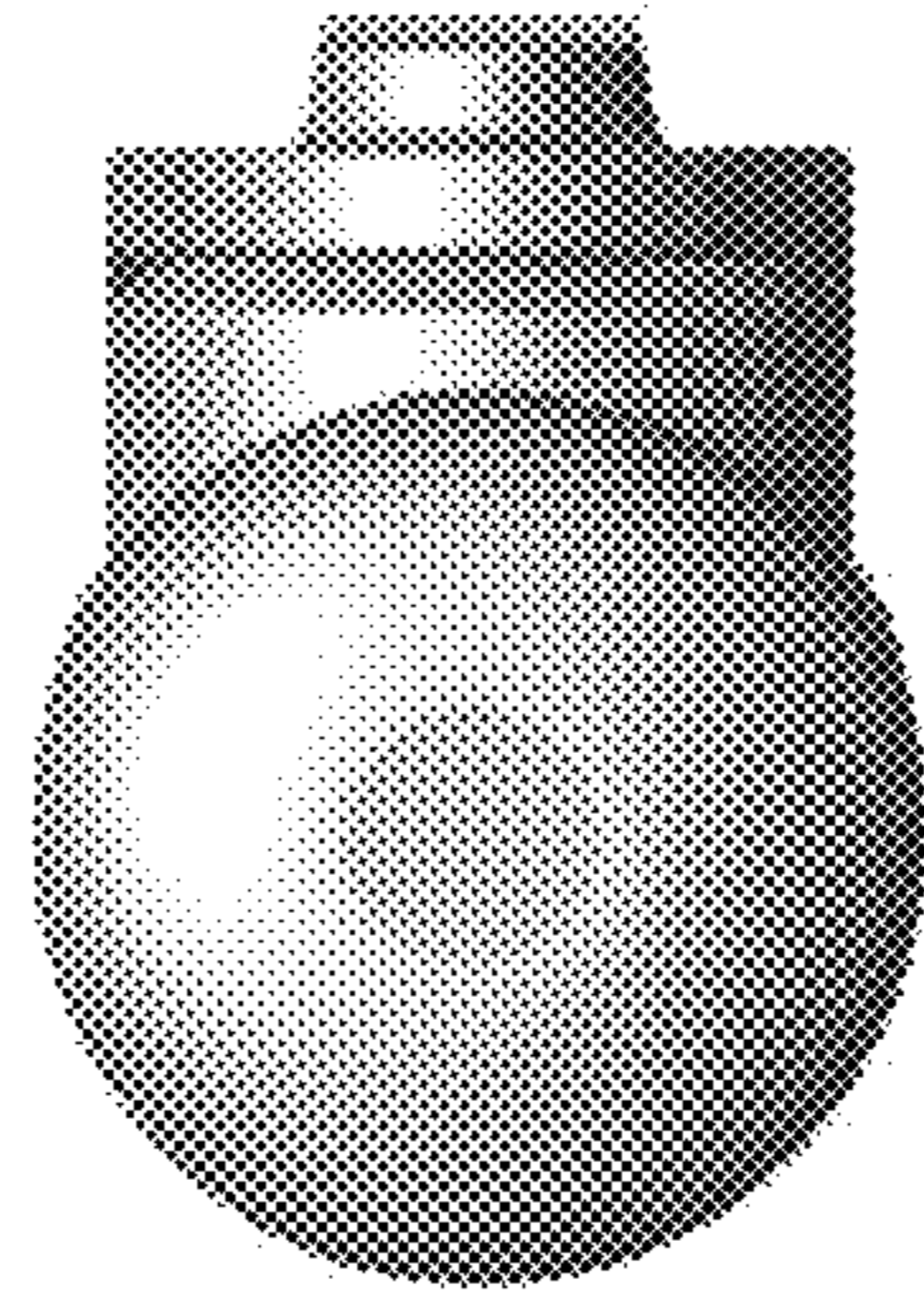


Fig. 6



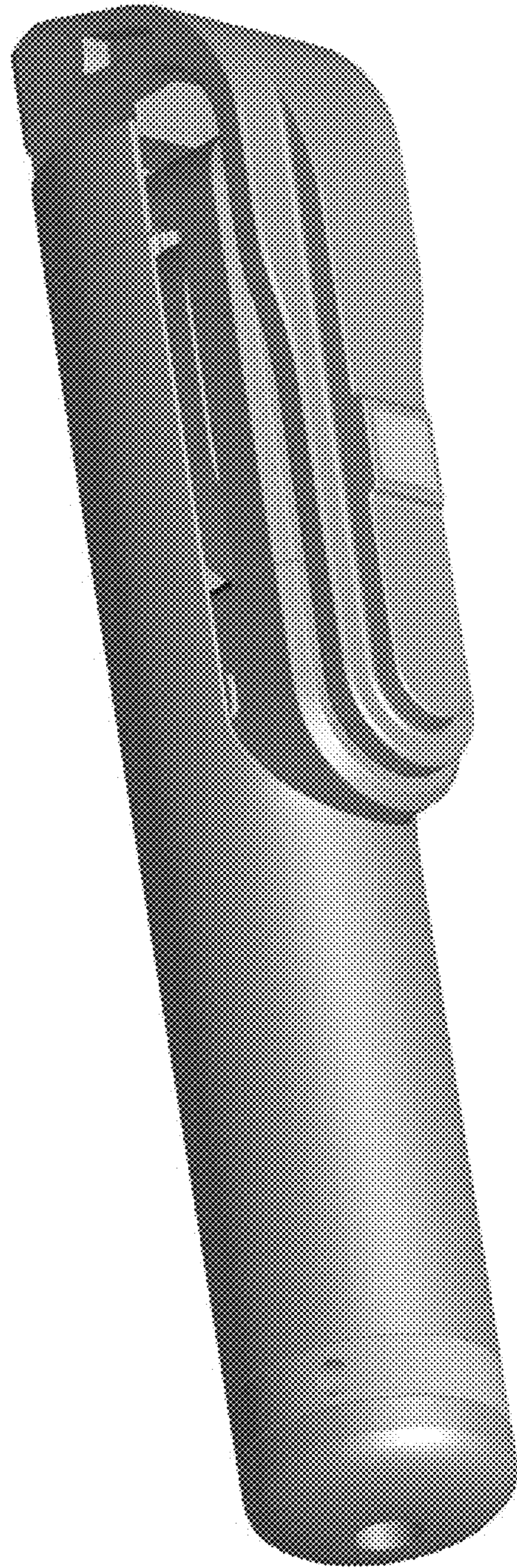


Fig. 7

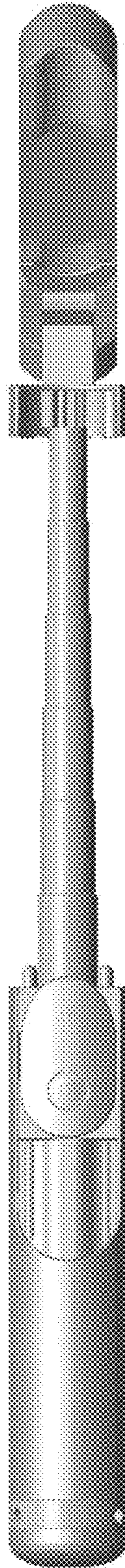


Fig. 8

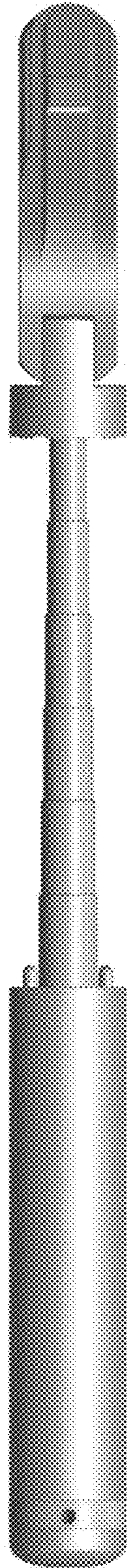


Fig. 9

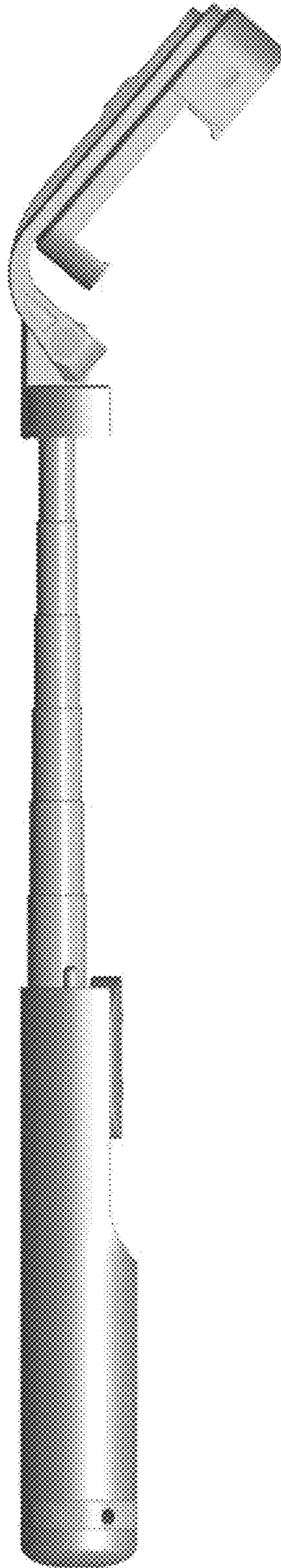


Fig. 10

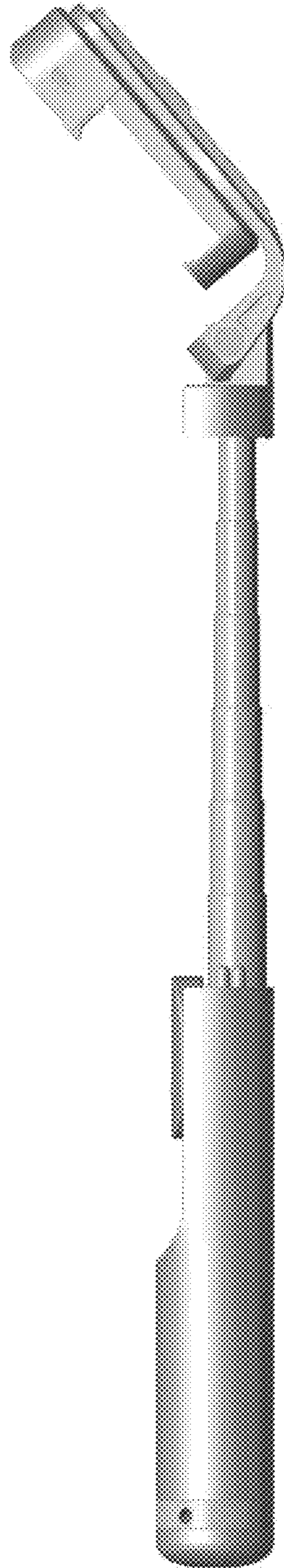


Fig. 11

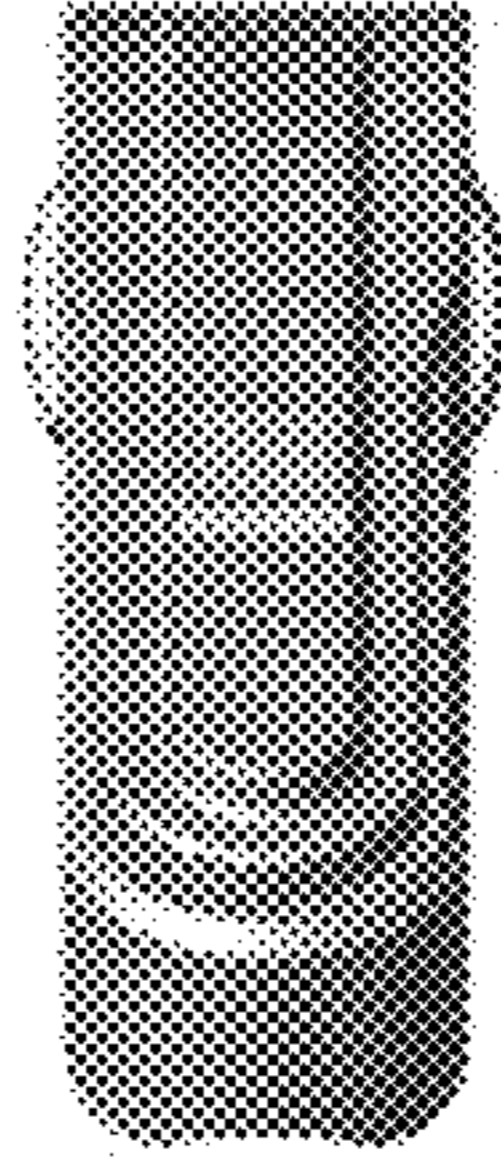


Fig. 12

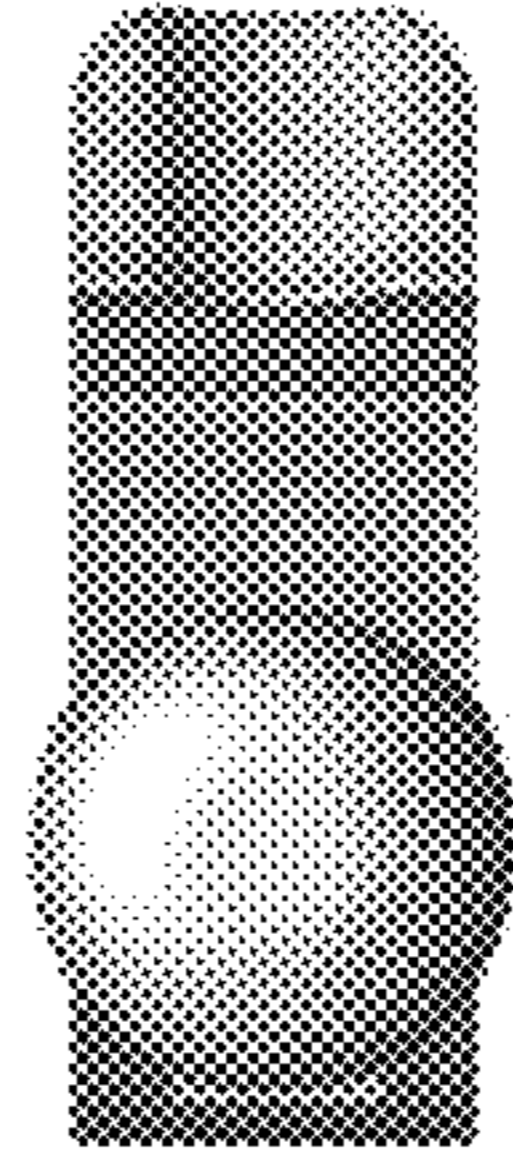


Fig. 13

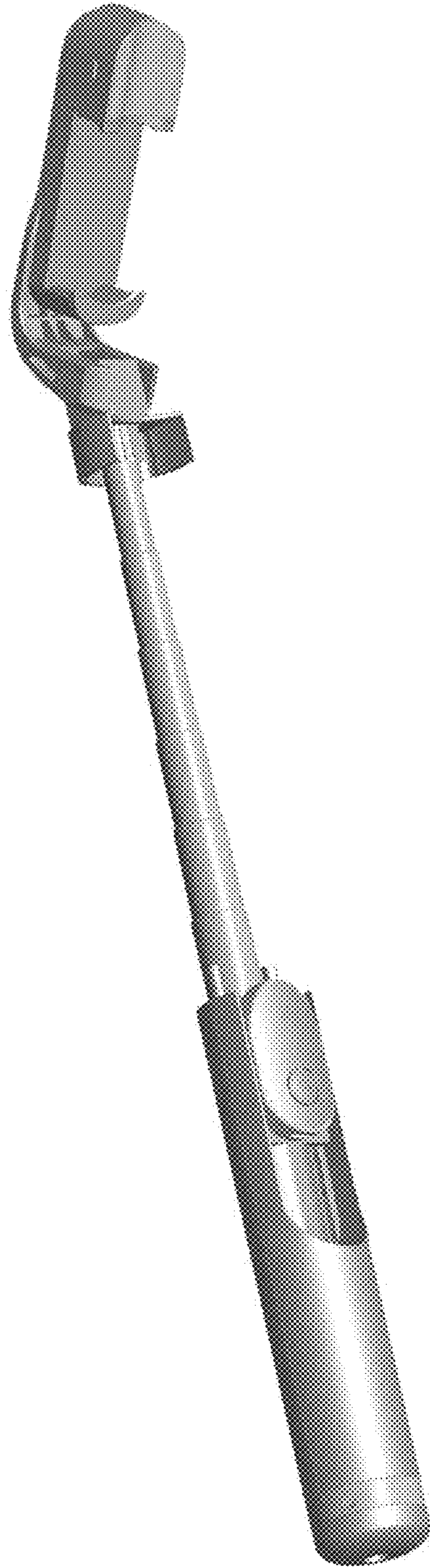


Fig. 14





Fig. 15

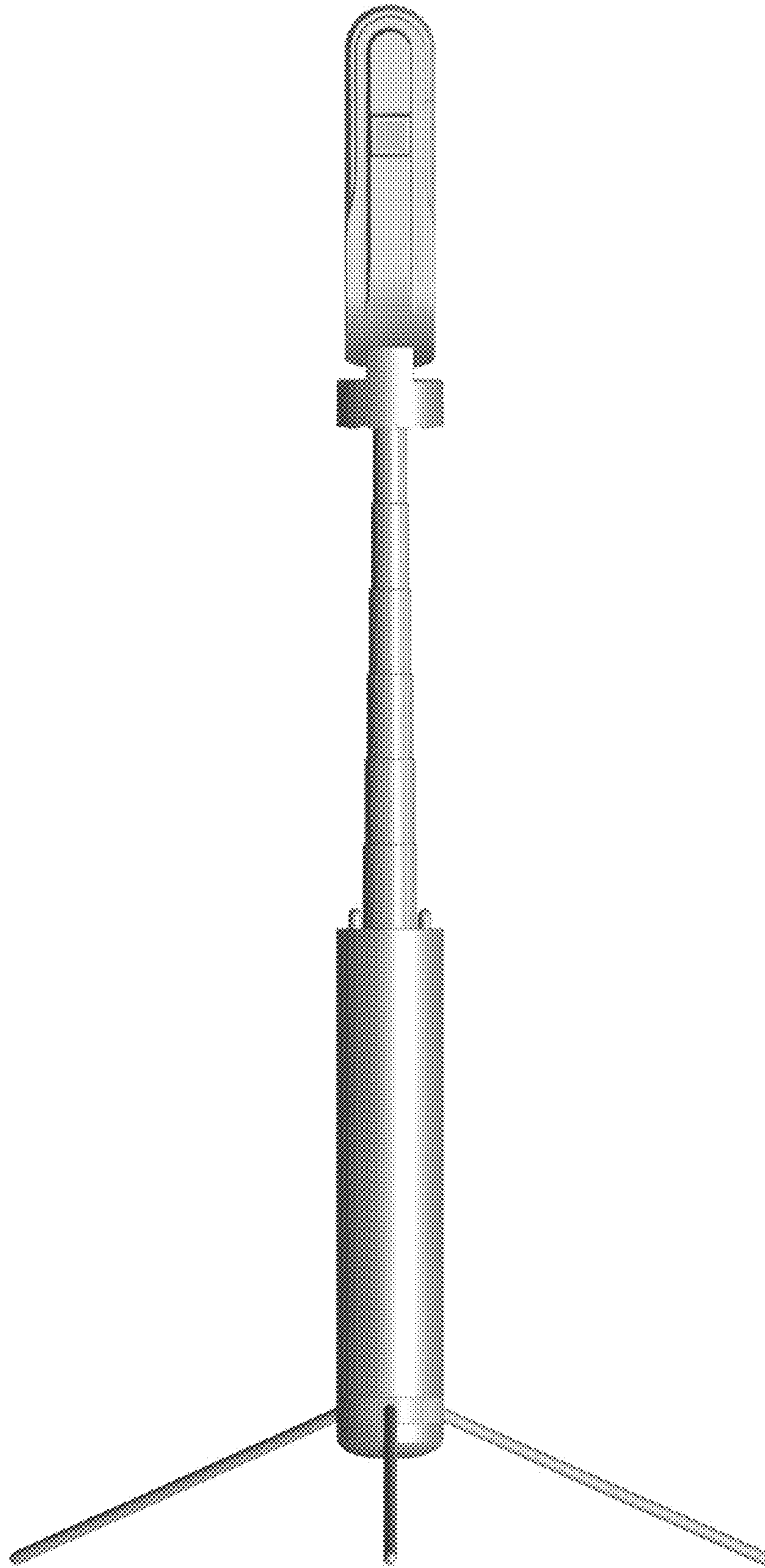


Fig. 16

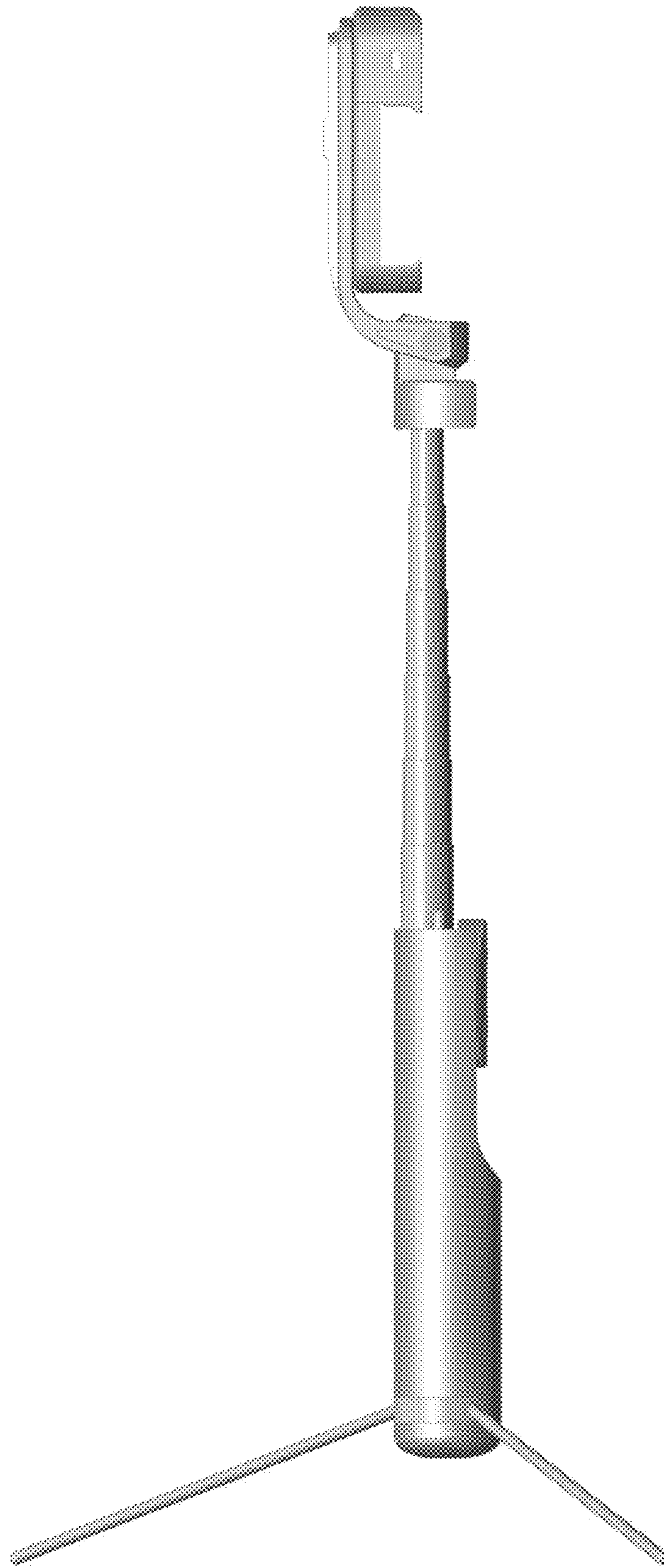


Fig. 17

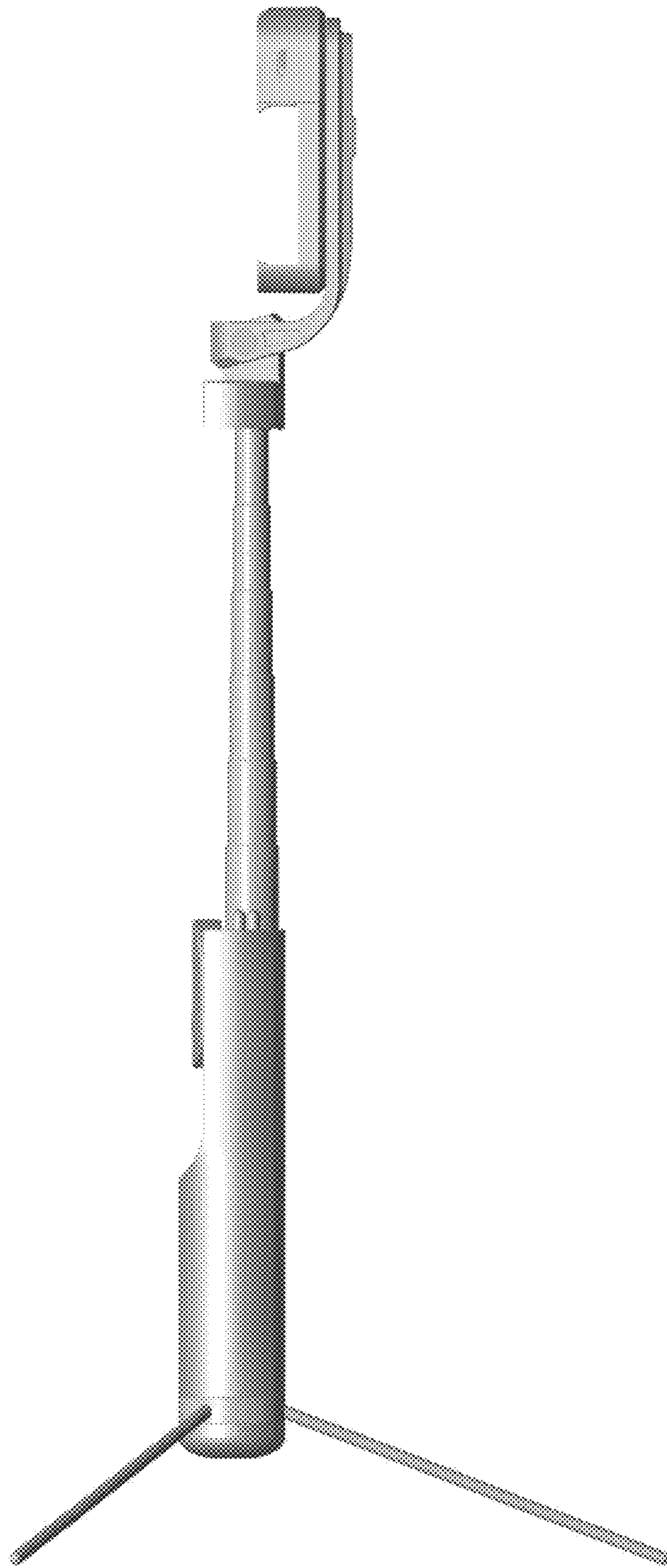


Fig. 18

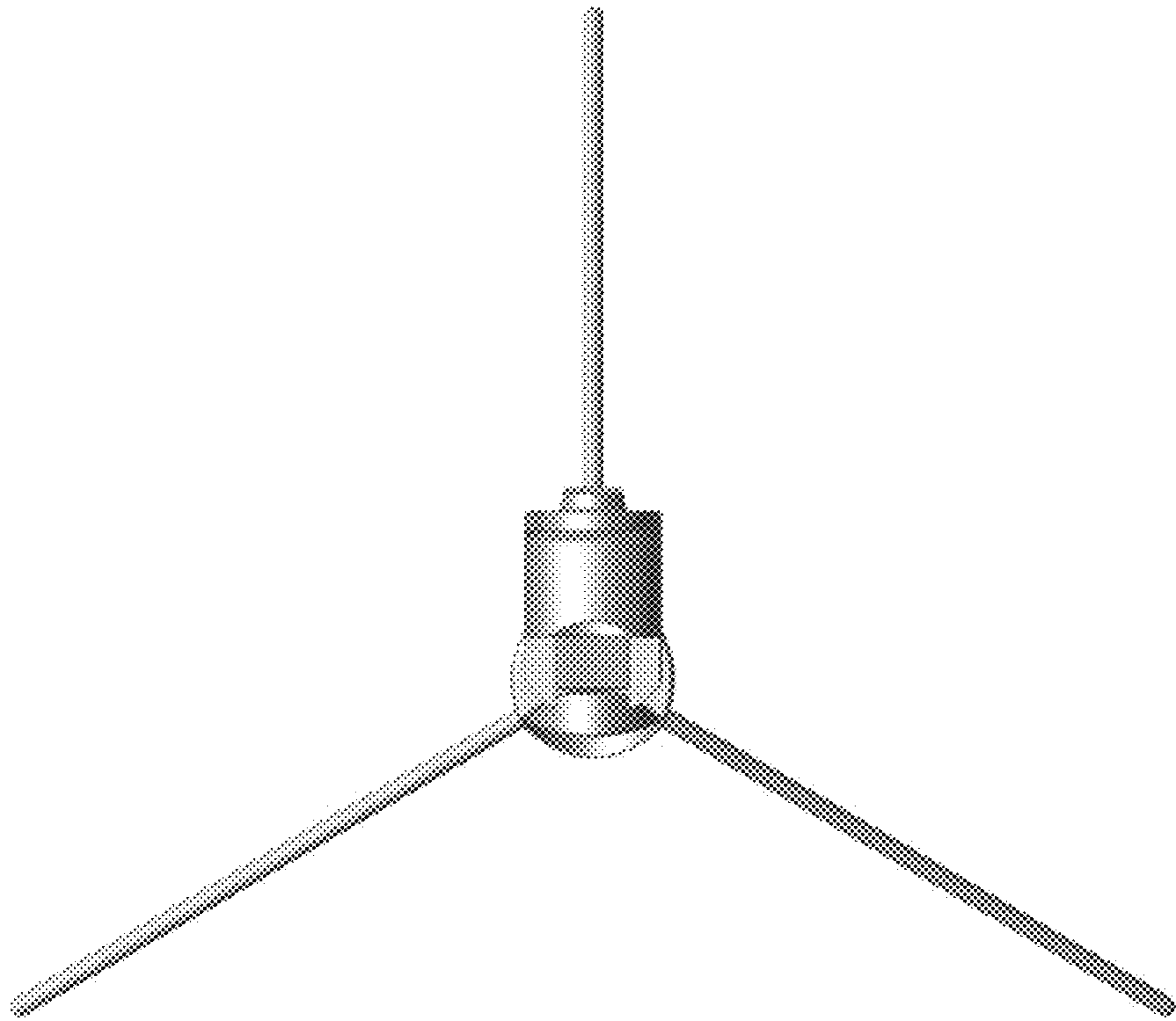


Fig. 19

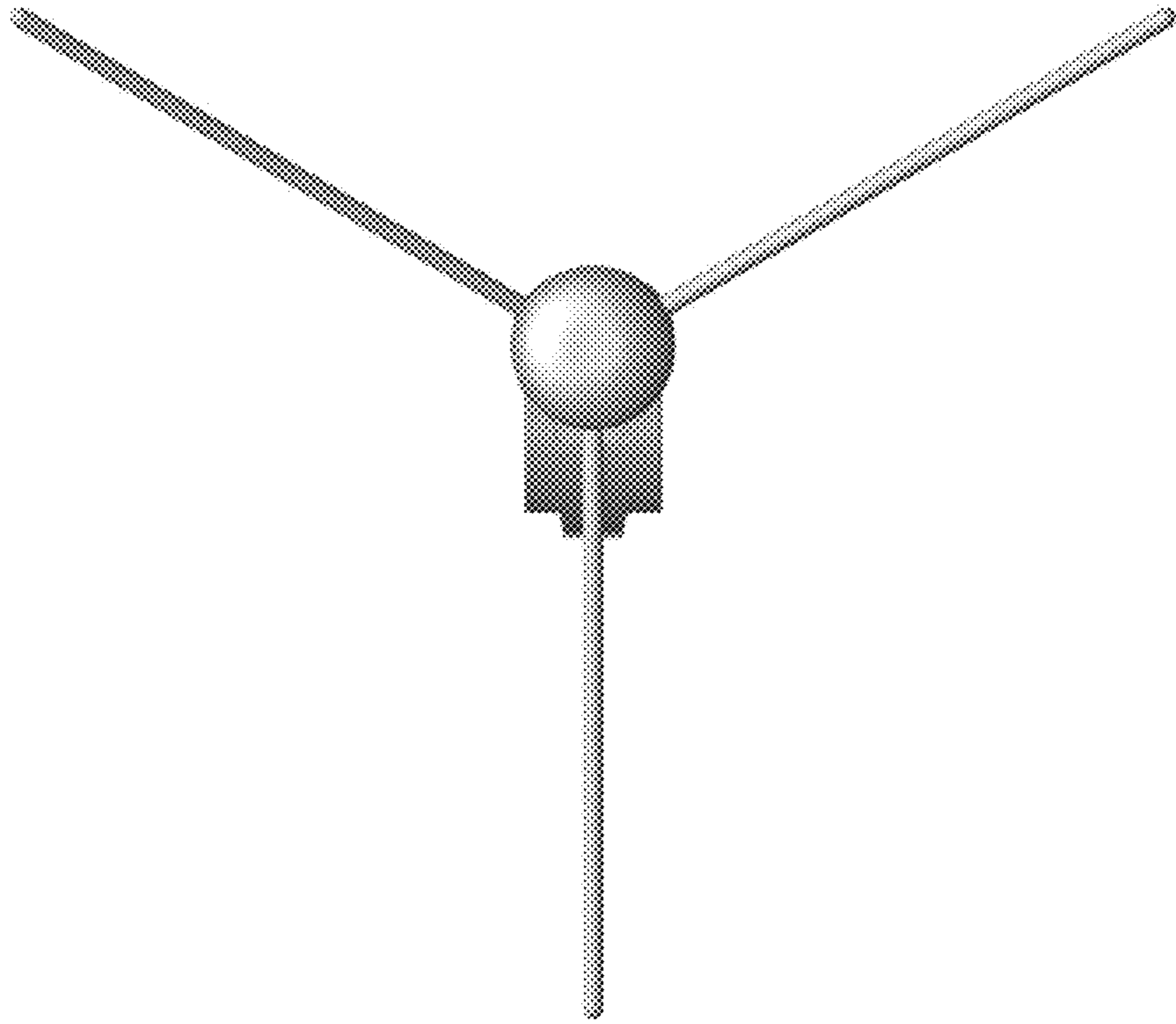


Fig. 20

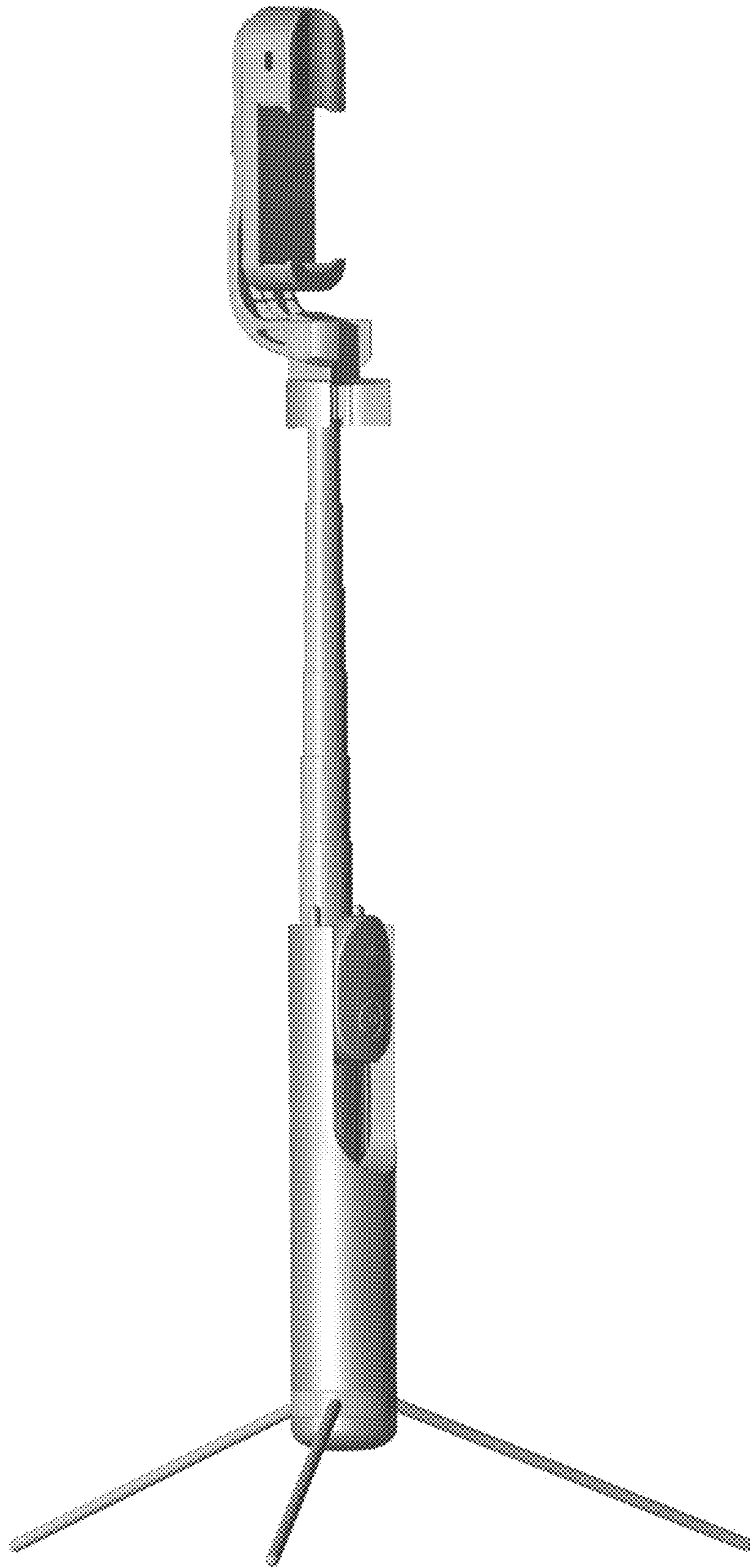


Fig. 21