



US00D907685S

(12) **United States Design Patent** (10) **Patent No.:** **US D907,685 S**
Skinner et al. (45) **Date of Patent:** **** Jan. 12, 2021**

(54) **DISPLAY DEVICE**

(71) Applicant: **Hewlett-Packard Development Company, L.P.**, Houston, TX (US)

(72) Inventors: **David N. Skinner**, Palo Alto, CA (US); **Daniel Yoon**, Palo Alto, CA (US); **Stacy L. Wolff**, Houston, TX (US); **Glenn A. Wong**, Sunnyvale, CA (US); **Arthur H. Zarnowitz**, Palo Alto, CA (US); **Kevin L. Massaro**, Houston, TX (US)

(73) Assignee: **Hewlett-Packard Development Company, L.P.**, Spring, TX (US)

(**) Term: **15 Years**

(21) Appl. No.: **29/635,837**

(22) Filed: **Feb. 2, 2018**

Related U.S. Application Data

(63) Continuation of application No. 29/622,069, filed on Oct. 13, 2017, now Pat. No. Des. 874,468.

(51) **LOC (13) Cl.** **16-05**

(52) **U.S. Cl.**
USPC **D16/237**

(58) **Field of Classification Search**
USPC D14/125–129, 239, 251–253, 335–337, D14/371–382, 432, 439–441, 447–452,
(Continued)

(56) **References Cited**

U.S. PATENT DOCUMENTS

D524,344 S * 7/2006 Imai D16/202
D577,013 S * 9/2008 Harris D14/315
(Continued)

Primary Examiner — Katie Jane Stofko

(74) *Attorney, Agent, or Firm* — HP Inc. Patent Department

(57) **CLAIM**

The ornamental design for a display device, as shown and described.

DESCRIPTION

FIG. 1 is a top, front, right-side perspective view of a display device with an aperture cover in the closed position in accordance with our new design;

FIG. 2 is a top, front, right-side perspective view of the display device of FIG. 1 with the aperture cover in the open position;

FIG. 3 is a bottom, rear, left-side perspective view of the display device shown in FIG. 1;

FIG. 4 is a front elevational view of the display device shown in FIG. 1 with the aperture cover in the closed position;

FIG. 5 is a front elevational view of the display device shown in FIG. 1 with the aperture cover in the open position; FIG. 6 is a rear elevational view of the display device shown in FIG. 1;

FIG. 7 is a left-side elevational view of the display device shown in FIG. 1;

FIG. 8 is a right-side elevational view of the display device shown in FIG. 1;

FIG. 9 is a top plan view of the display device shown in FIG. 1 with the aperture cover in the closed position;

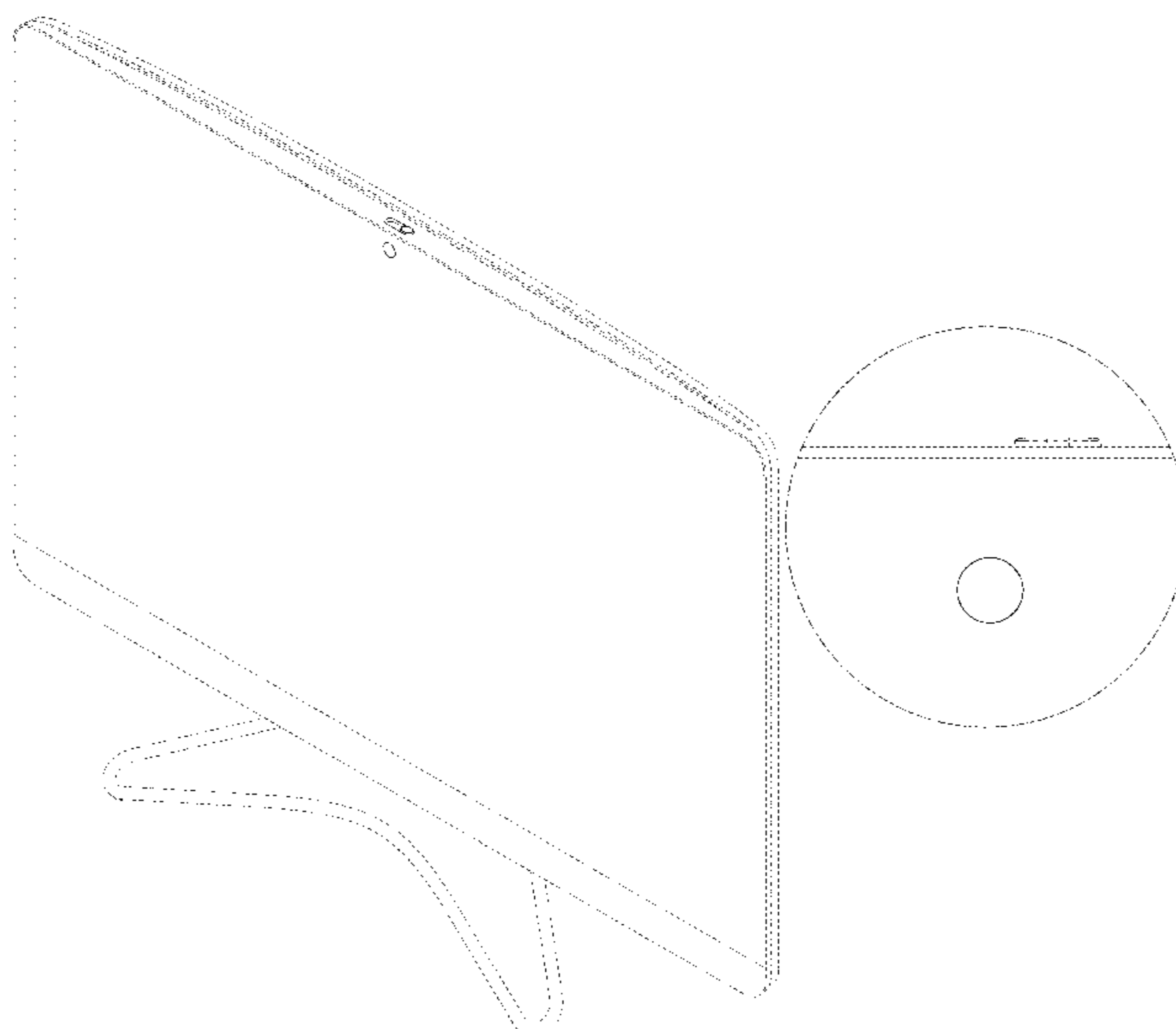
FIG. 10 is a bottom plan view of the display device shown in FIG. 1;

FIG. 11 is an enlarged view of section XI of FIG. 4 with the display device in the closed position; and,

FIG. 12 is an enlarged view of section XII of FIG. 5 with the aperture cover in the open position.

The evenly-spaced broken lines in FIGS. 1-12 illustrate portions of the display device that form no part of the claimed design. The dash-dot-dash broken lines in FIGS. 2, 5 and 12 illustrate the boundary of the claimed design which forms no part thereof.

1 Claim, 11 Drawing Sheets



(58) Field of Classification Search

USPC D14/457, 492; D8/349, 354, 363, 373,
 D8/376, 380; 348/14, 180, 184, 325,
 348/373, 739, 825; D12/407, 415;
 D3/218; 341/12; D16/237, 250
 CPC G06F 3/0412; G06F 3/0488; G06F 3/016;
 G06F 3/011; G06F 3/038; G06F 3/03543;
 G06F 3/0338; G06F 3/0202; G06F
 3/0219; G06F 3/0213; G06F 1/1616;
 G06F 3/023; G06F 3/04883; G02F
 1/13338; G02F 1/1313; G02F 1/1333;
 G02F 1/135; G02F 1/132; G02F
 1/133308; G02F 1/134309; G02F
 1/13718; G09G 3/3648; G06K 15/1252;
 B41J 2/465; G03F 7/70291; F16M 13/02;
 F16M 13/00; F16M 11/10; F16M 11/04;
 F16M 2200/08; F16M 11/2021; H02G
 3/126; A47B 21/0314; A47B 88/044;
 A47B 2021/0335; F16B 47/00; F16B
 47/006; A47G 1/17; A47K 2201/00

See application file for complete search history.

(56)

References Cited

U.S. PATENT DOCUMENTS

D740,773	S *	10/2015	Bang	D14/126
D756,322	S *	5/2016	Ostensen	D14/126
D807,947	S *	1/2018	Gustaveson, II	D16/237
D810,180	S *	2/2018	Gustaveson, II	G03B 11/041 D16/237
D836,154	S *	12/2018	Gustaveson, II	D16/237
D849,123	S *	5/2019	Gustaveson, II	G03B 11/041 D16/237
10,317,776	B2 *	6/2019	Gustaveson, II	H04N 5/2257
10,481,469	B2 *	11/2019	Chen	G03B 9/08
2004/0061997	A1 *	4/2004	Skinner	G06F 1/1684 361/679.55
2010/0102979	A1 *	4/2010	Huang	G06F 1/1686 340/686.1
2011/0182029	A1 *	7/2011	Wu	G03B 11/041 361/679.55
2018/0004068	A1 *	1/2018	Chen	G03B 11/043
2019/0272005	A1 *	9/2019	Wickett	G06F 1/1686

* cited by examiner

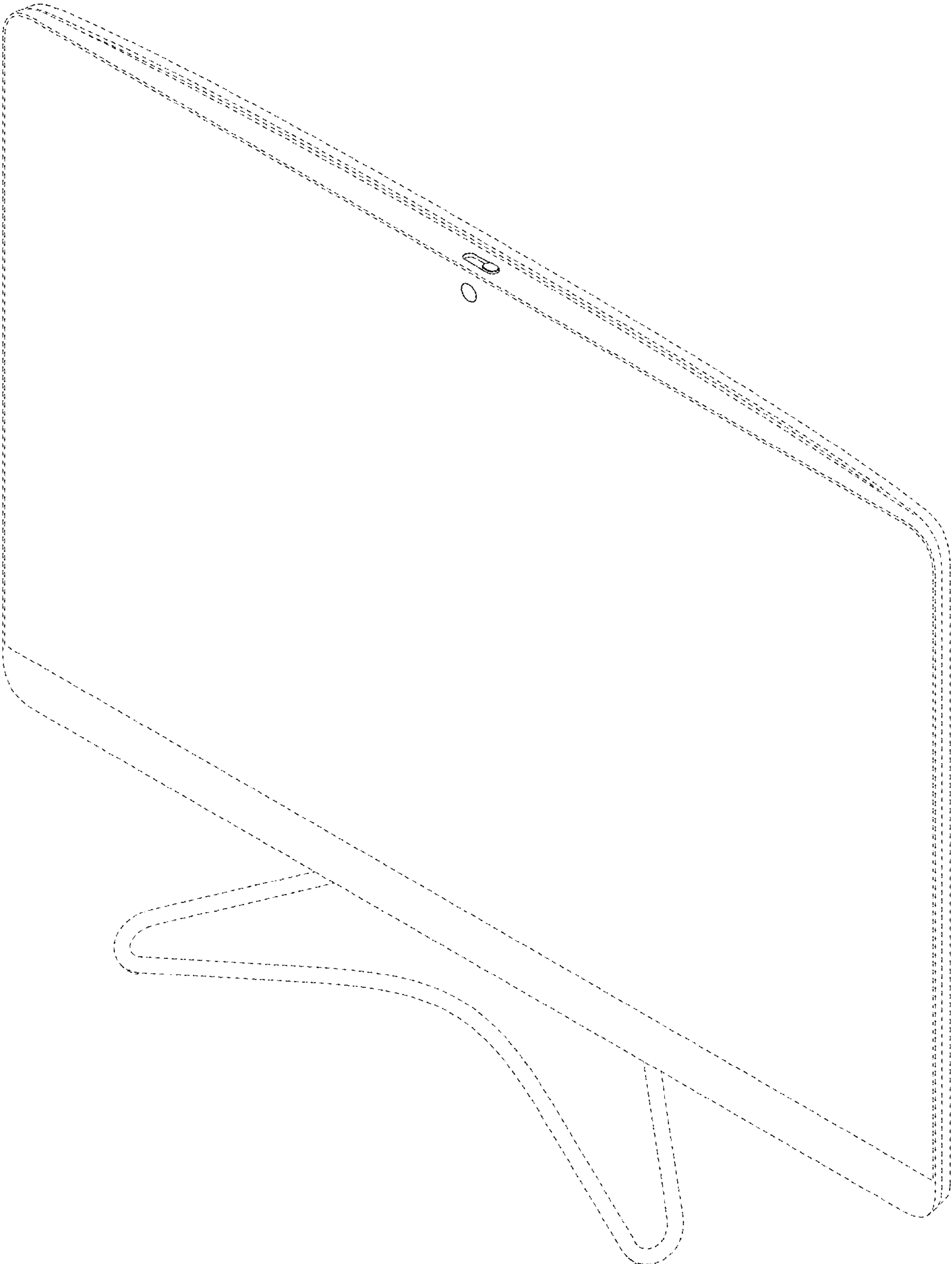


FIG. 1

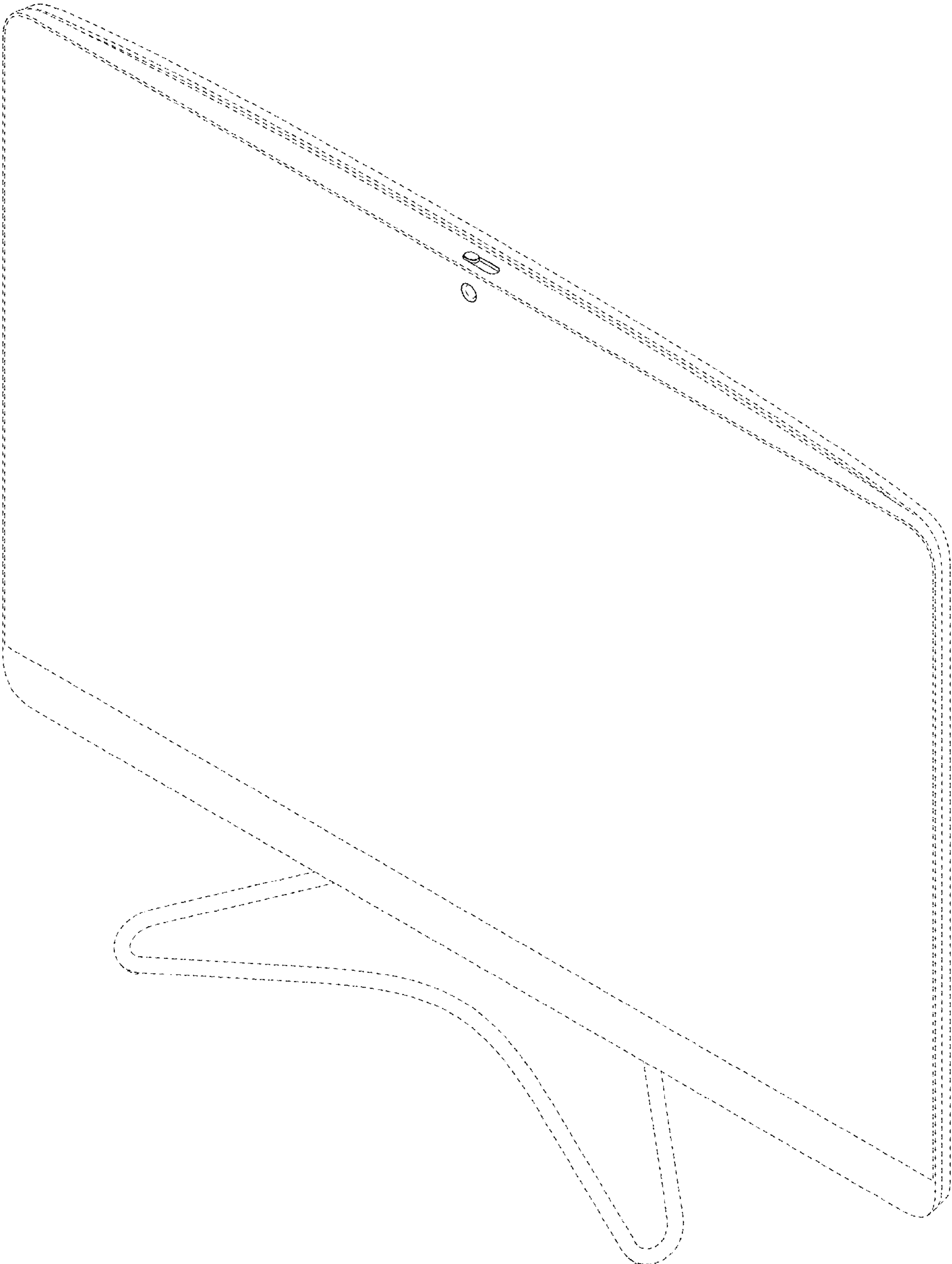


FIG. 2

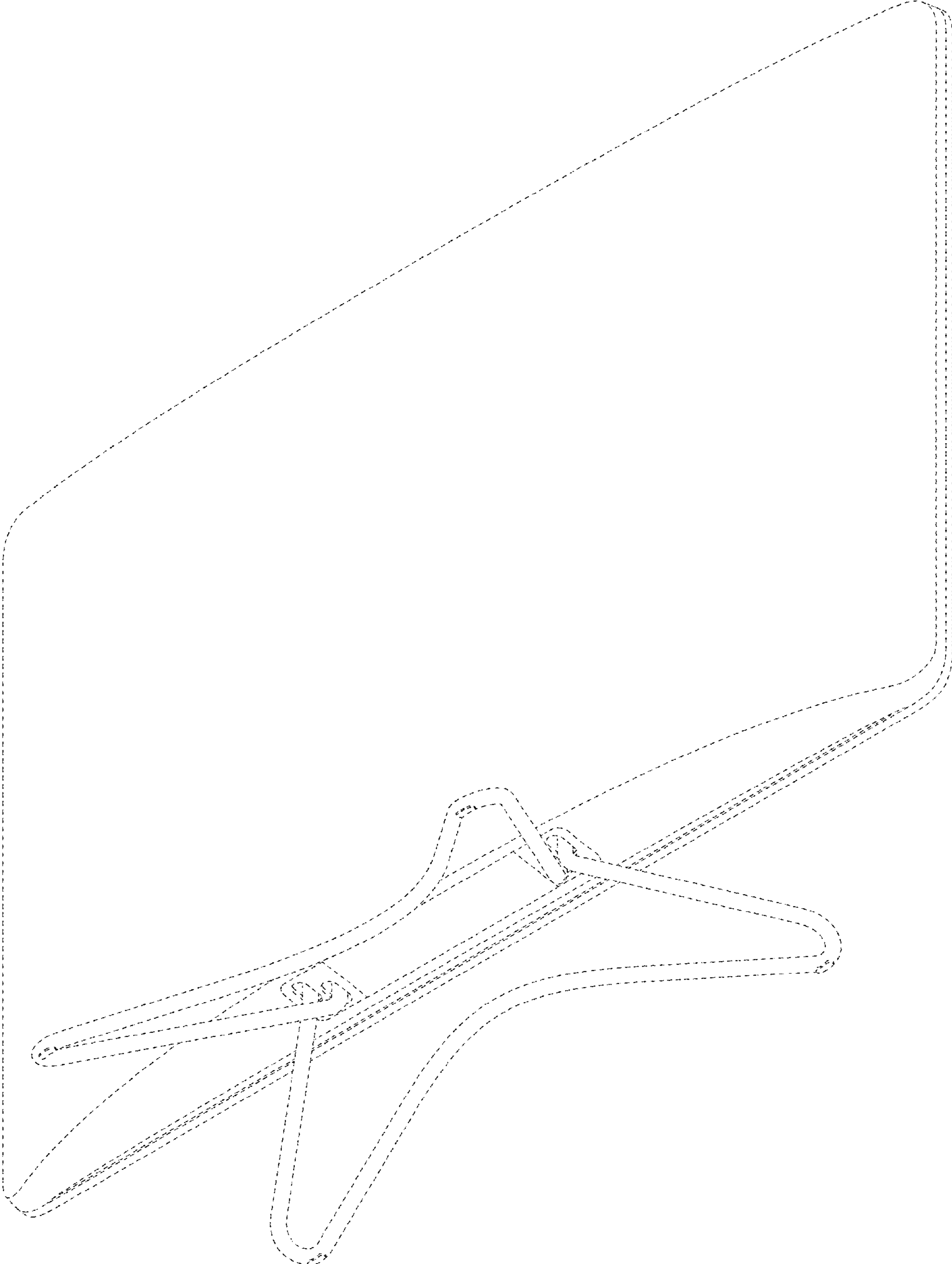
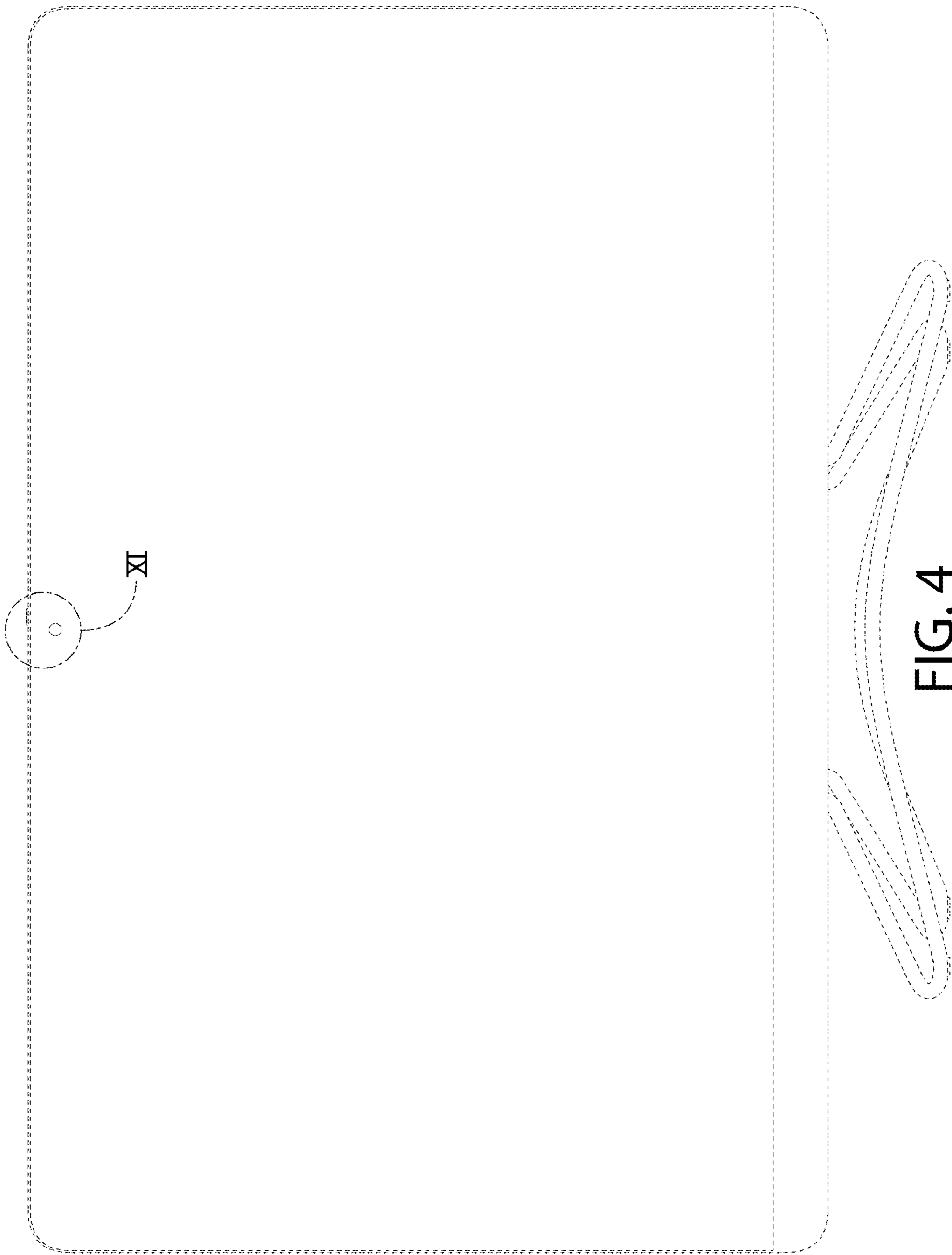
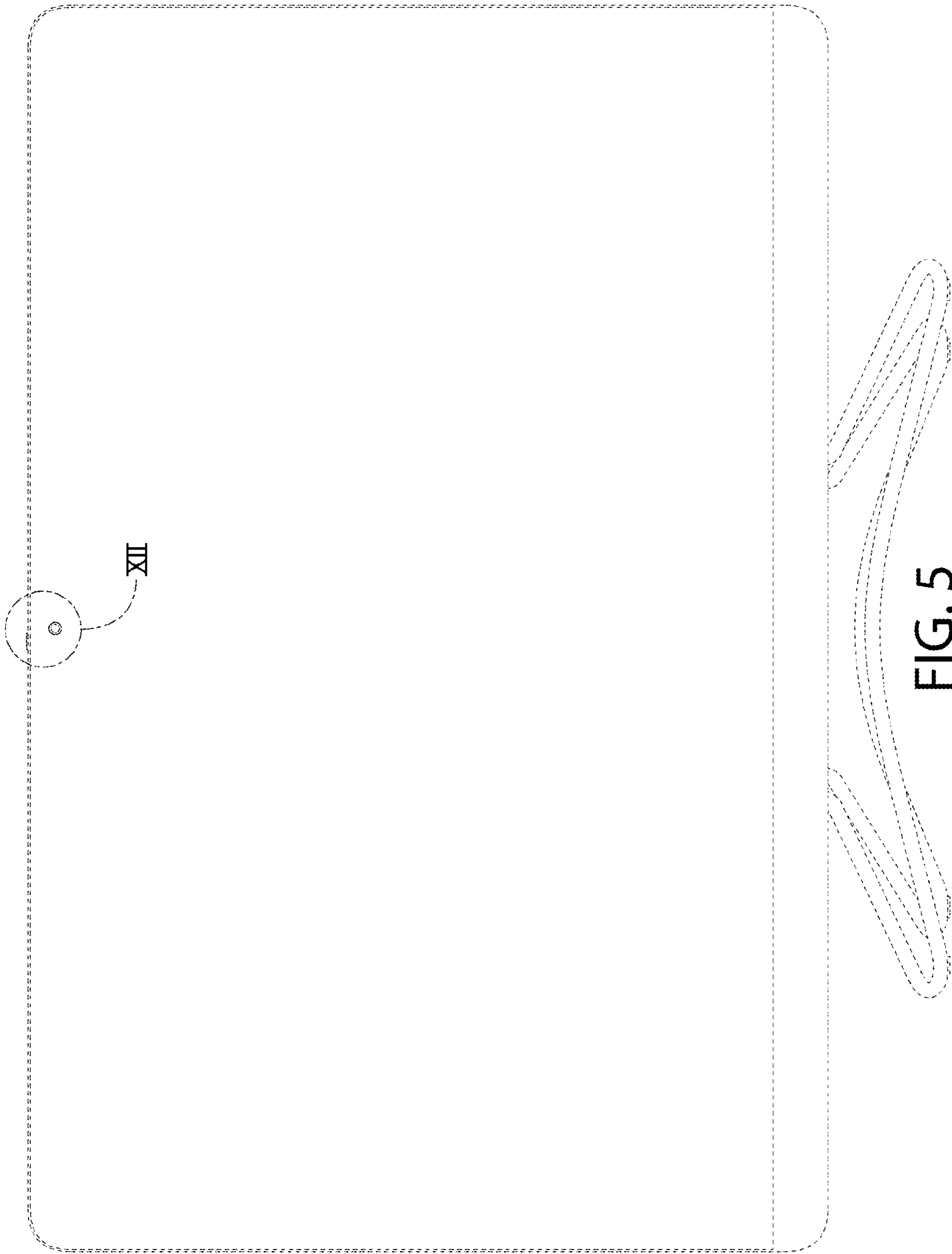


FIG. 3





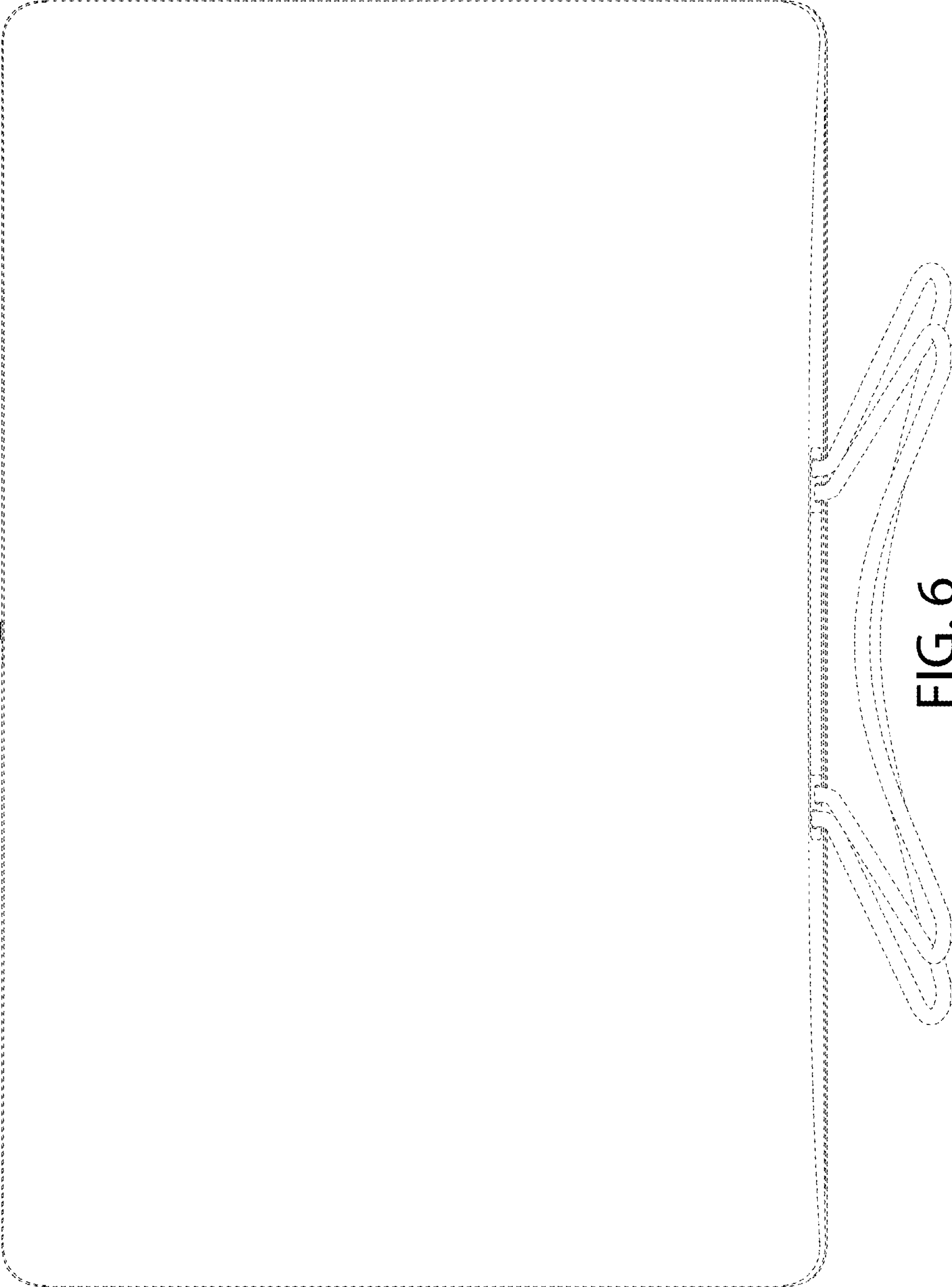


FIG. 6

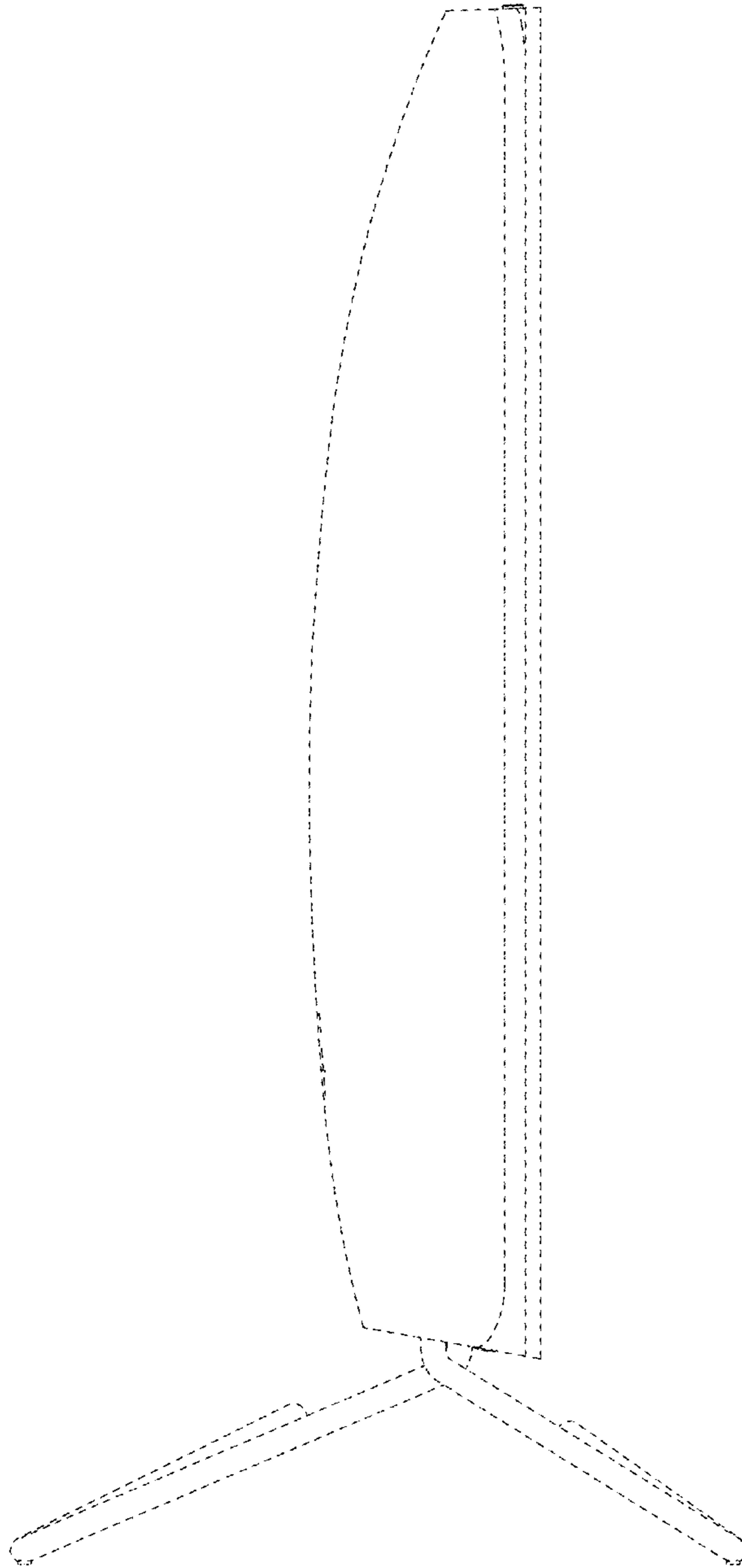


FIG. 7

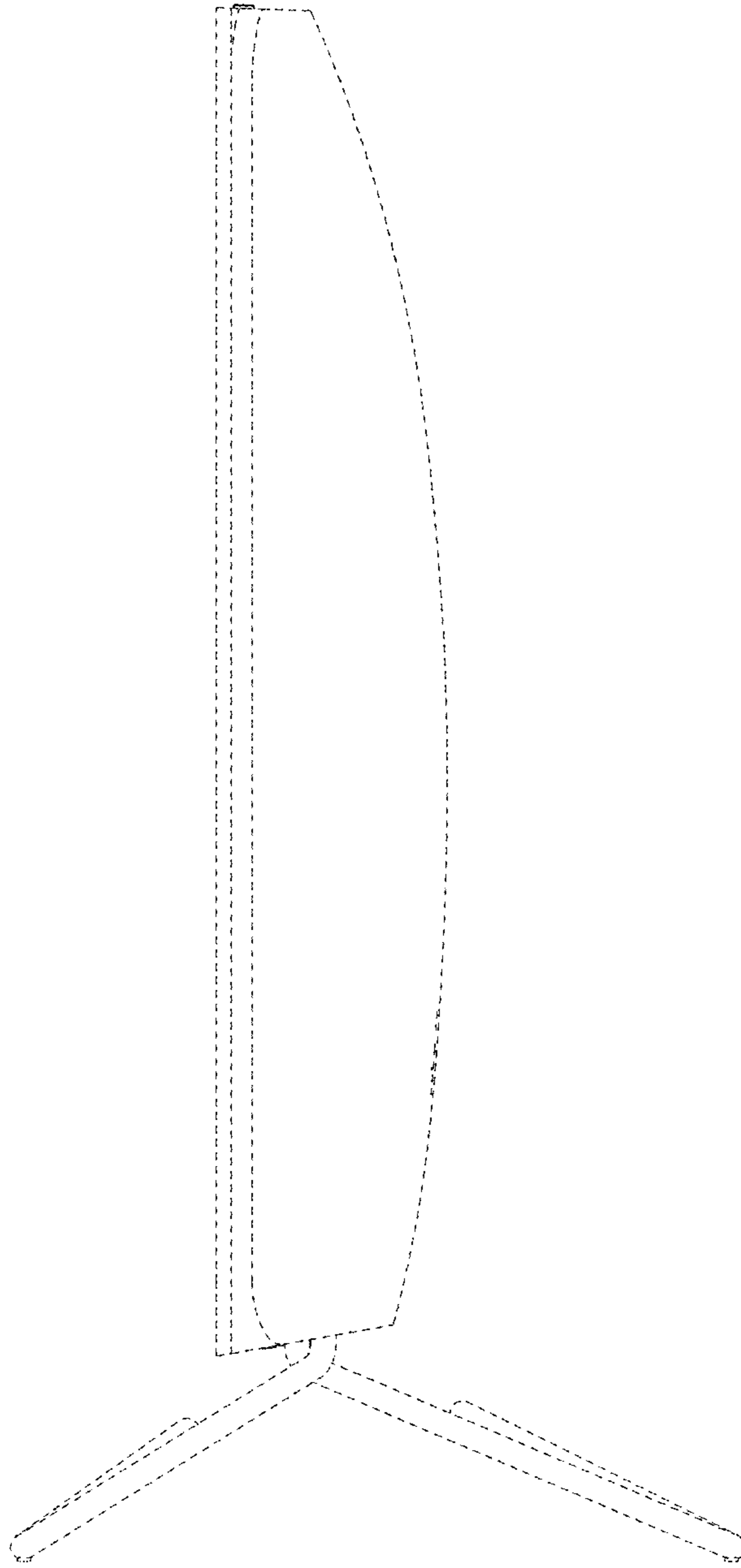


FIG. 8

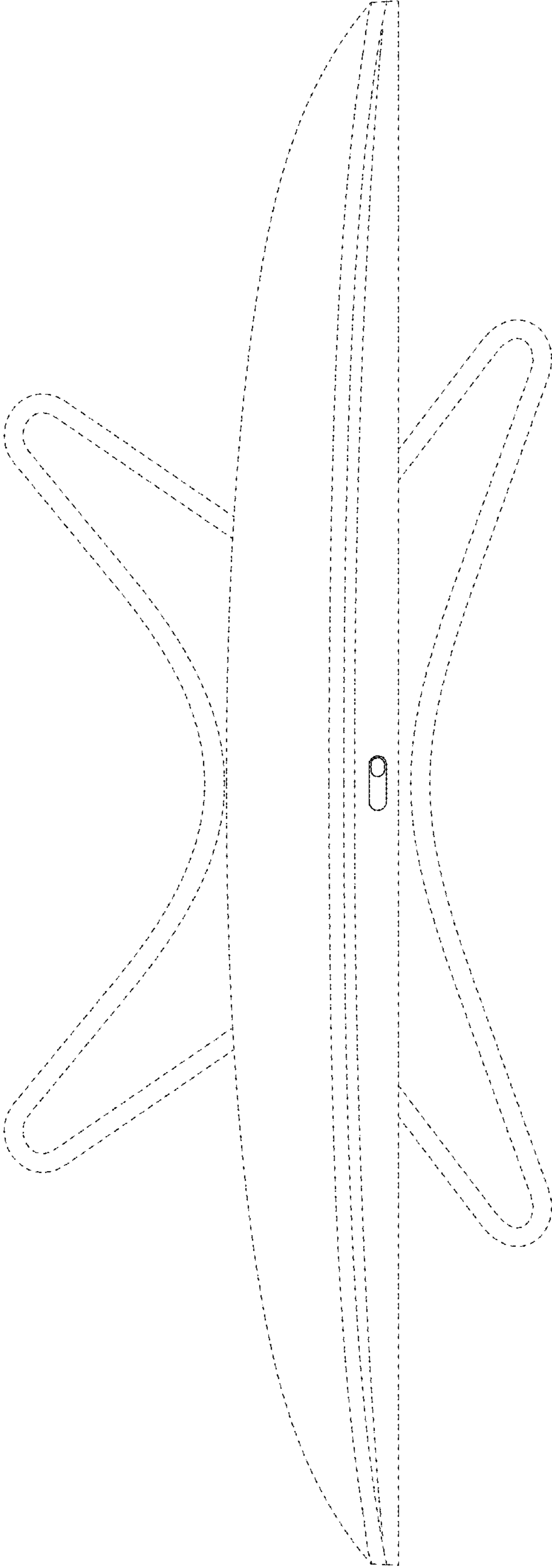


FIG. 9

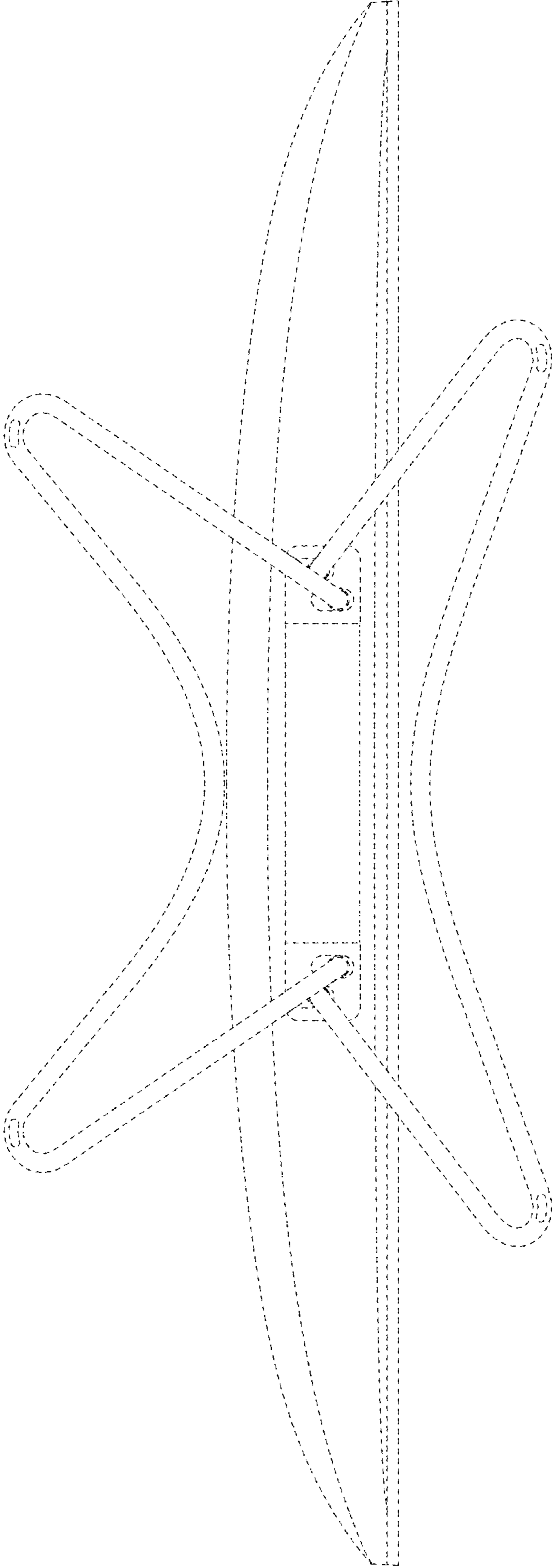


FIG. 10

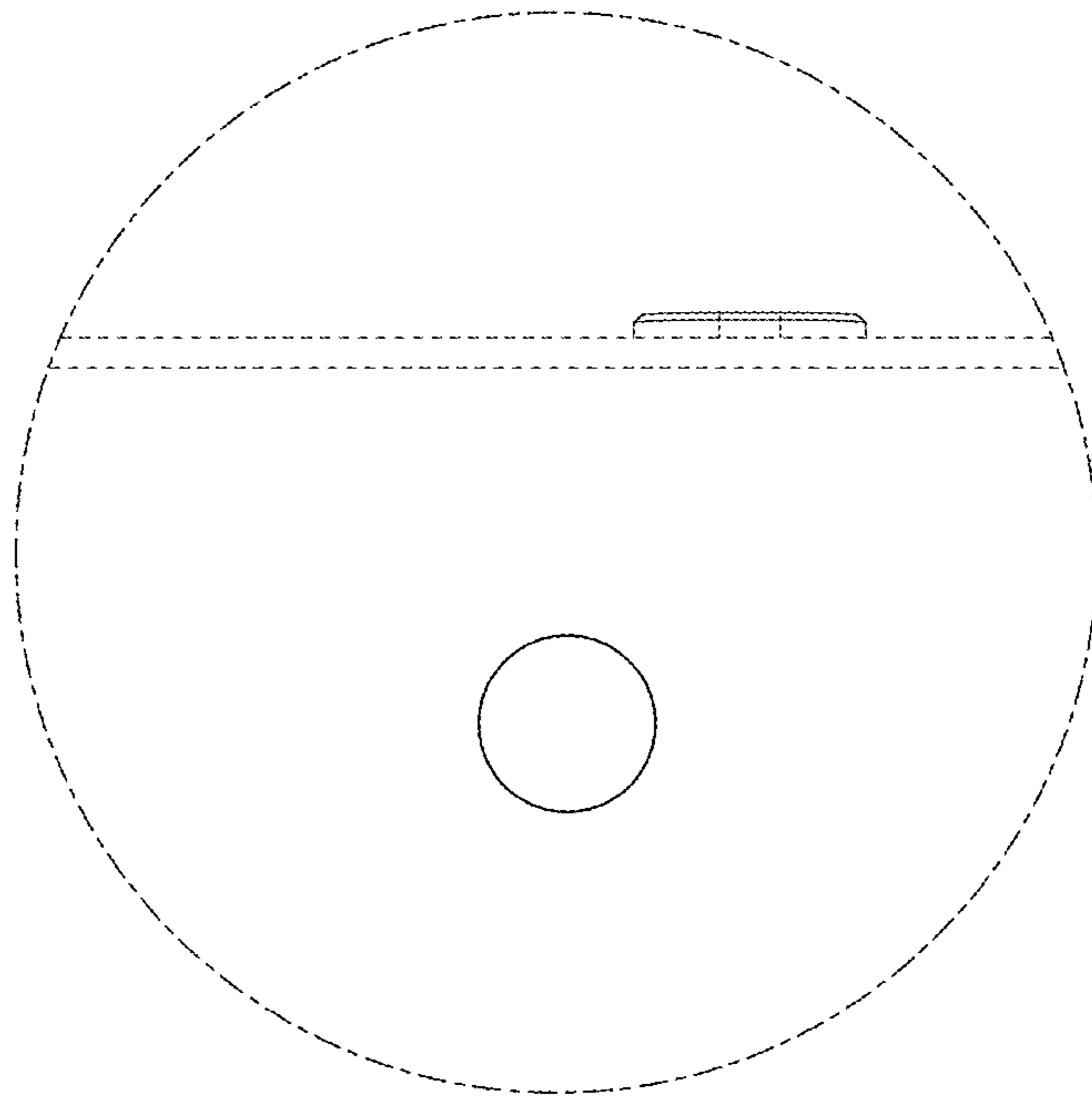


FIG. 11

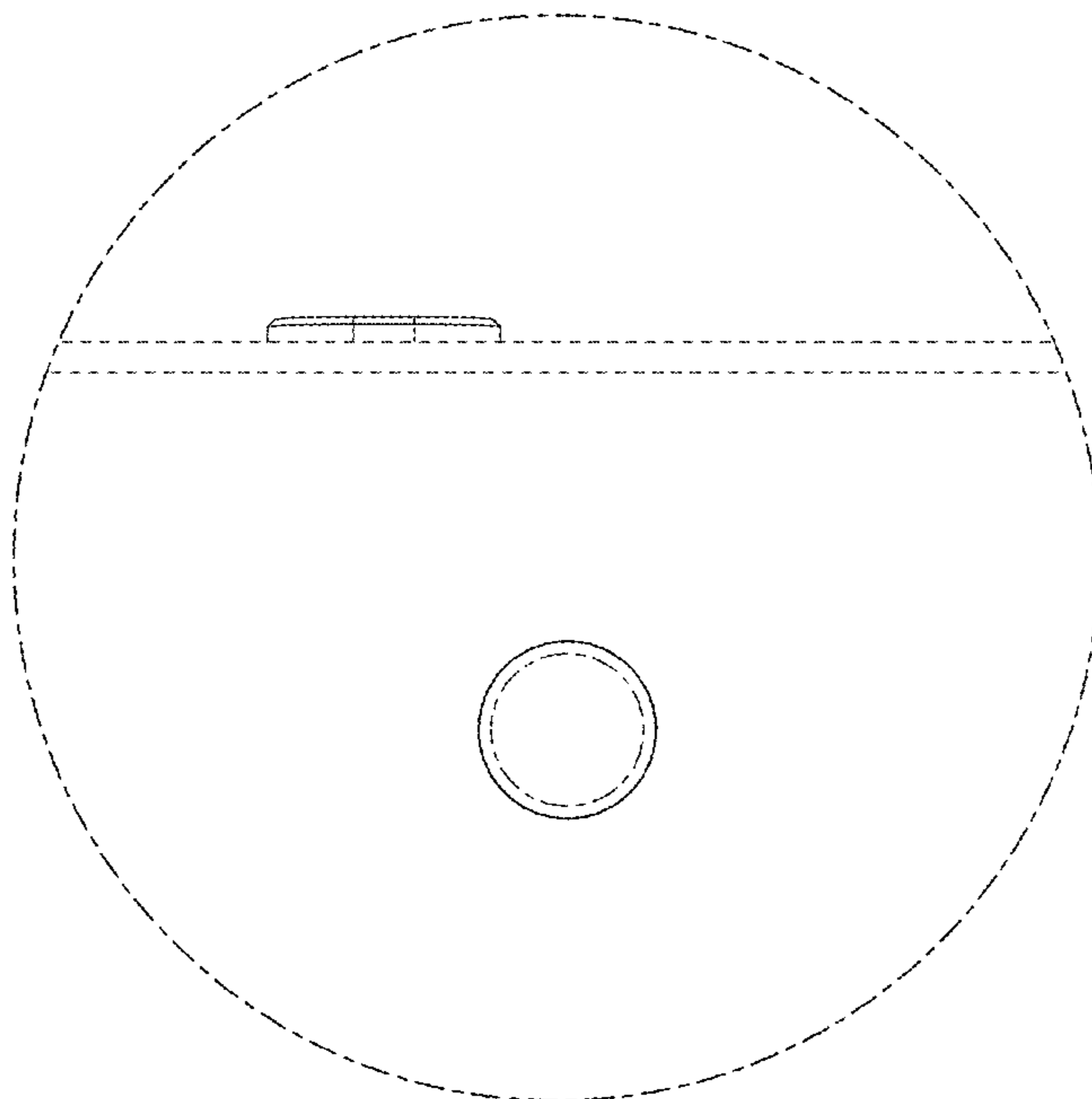


FIG. 12