



US00D907683S

(12) **United States Design Patent**  
**Yu**

(10) **Patent No.:** **US D907,683 S**  
(45) **Date of Patent:** **\*\* Jan. 12, 2021**

(54) **PROJECTOR**

(71) Applicant: **Qiang Yu**, Weiyuan County (CN)

(72) Inventor: **Qiang Yu**, Weiyuan County (CN)

(\*\*) Term: **15 Years**

(21) Appl. No.: **29/700,057**

(22) Filed: **Jul. 31, 2019**

(51) **LOC (13) Cl.** ..... **16-02**

(52) **U.S. Cl.**  
USPC ..... **D16/225**

(58) **Field of Classification Search**  
USPC ..... D16/221, 225, 227, 229-231; D21/514  
CPC ..... G03B 21/00; G03B 21/003; G03B 21/12;  
G03B 21/14; G03B 21/142; G03B  
21/145; G03B 21/16  
See application file for complete search history.

(56) **References Cited**

**U.S. PATENT DOCUMENTS**

D119,488 S *	3/1940	De Haven	.....	D16/221
D233,856 S *	12/1974	Kira	.....	D16/221
D446,236 S *	8/2001	Chen	.....	D16/221
D554,685 S *	11/2007	Ishikawa	.....	D16/221
D662,534 S *	6/2012	Chang	.....	D16/225

9,667,924 B2 *	5/2017	Mukai	.....	G03B 21/145
D809,584 S *	2/2018	Khubani	.....	D16/225
D878,451 S *	3/2020	Pigino	.....	D16/229
2005/0041221 A1 *	2/2005	Buroni	.....	G03B 21/16 353/119

\* cited by examiner

*Primary Examiner* — Wan Laymon

(74) *Attorney, Agent, or Firm* — Hemisphere Law, PLLC;  
Zhigang Ma

(57) **CLAIM**

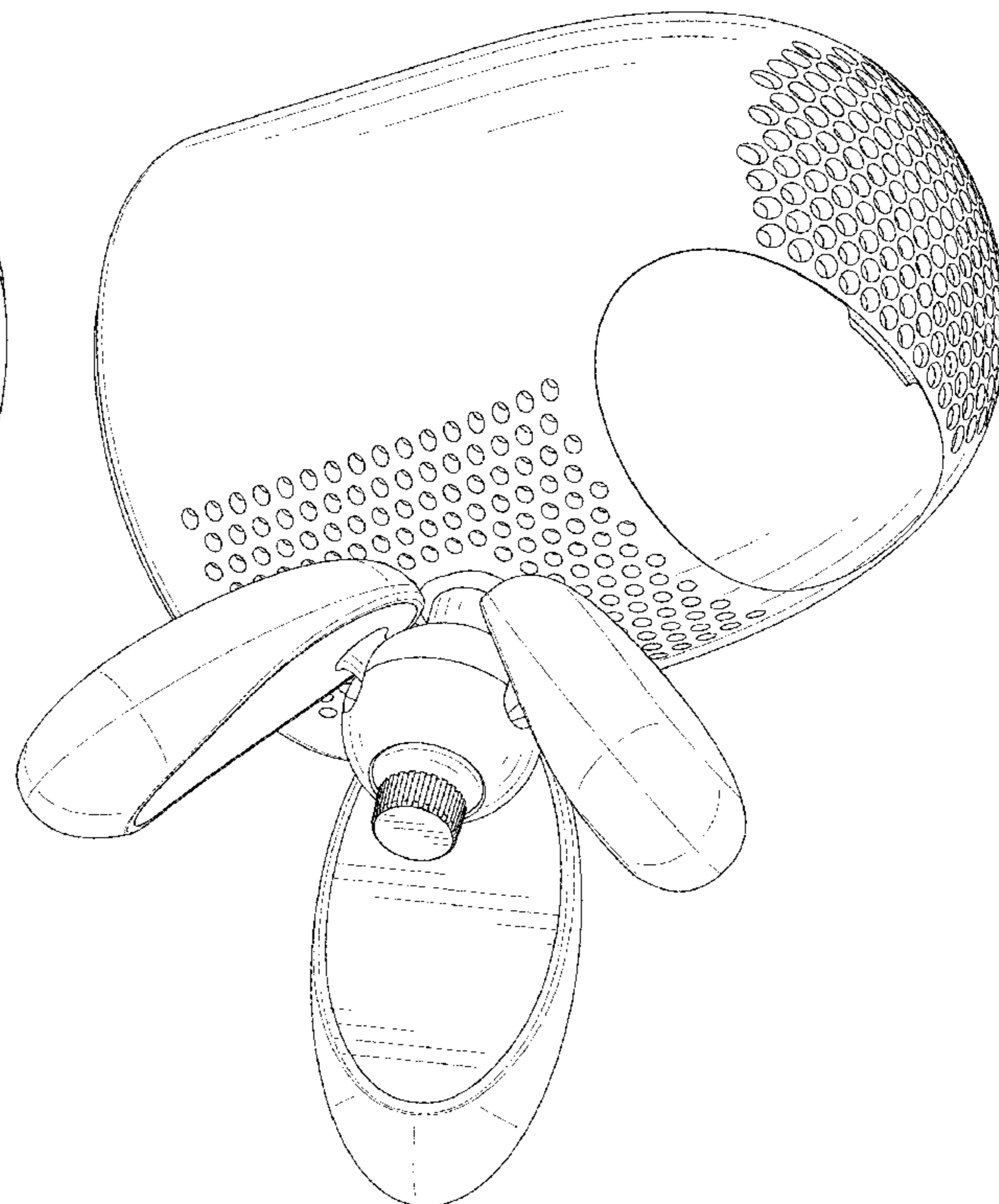
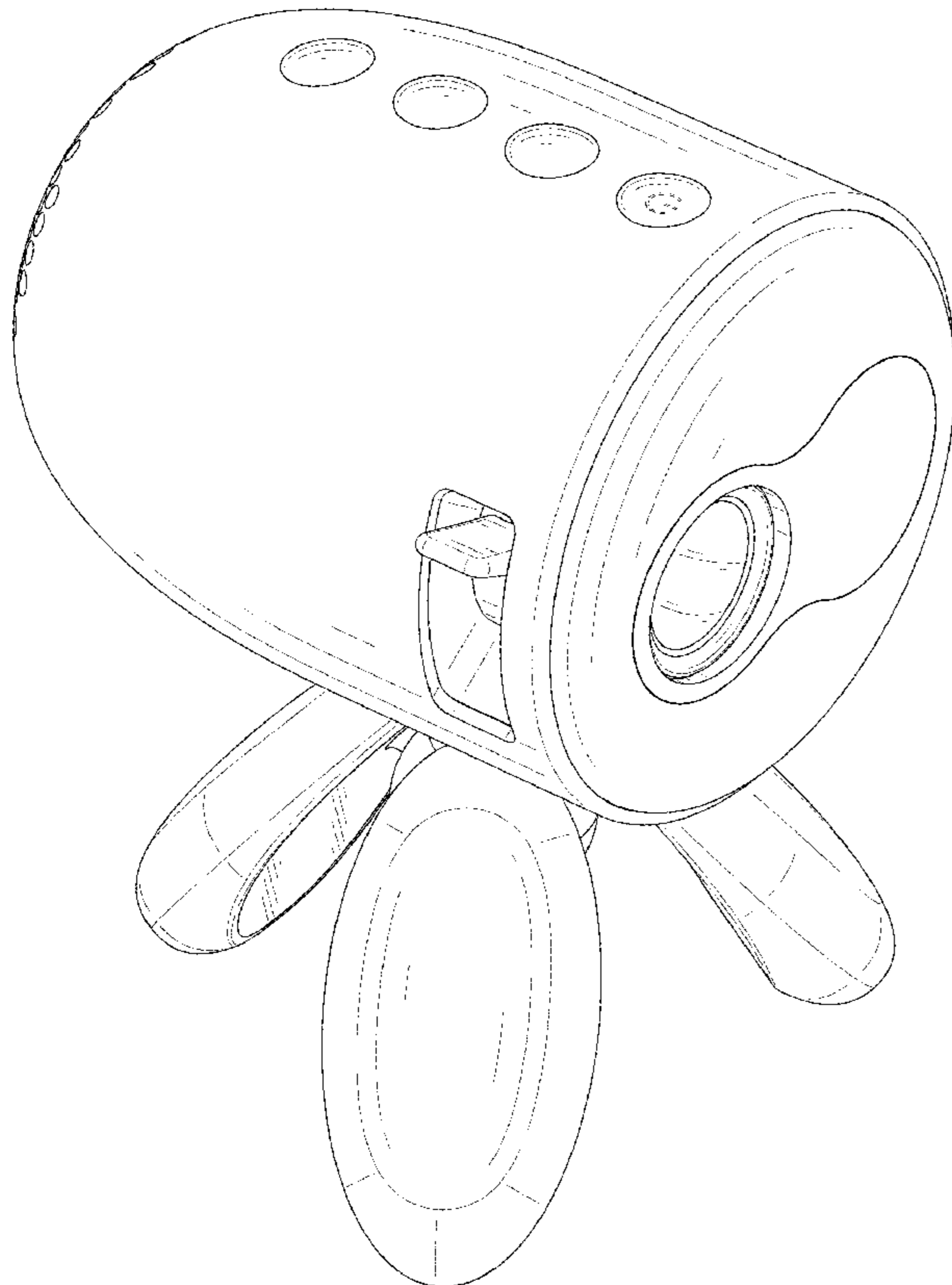
The ornamental design for a projector, as shown and described.

**DESCRIPTION**

FIG. 1 is a perspective view of a projector showing my new design;  
FIG. 2 is another perspective view seen from the bottom side thereof;  
FIG. 3 is a front elevational view thereof;  
FIG. 4 is a rear elevational view thereof;  
FIG. 5 is a left side elevational view thereof;  
FIG. 6 is a right side elevational view thereof;  
FIG. 7 is a top plan view thereof; and,  
FIG. 8 is a bottom plan view thereof.

The broken lines are for illustrating unclaimed portions of the projector or environmental structures, the broken lines form no part of the claimed design.

**1 Claim, 8 Drawing Sheets**



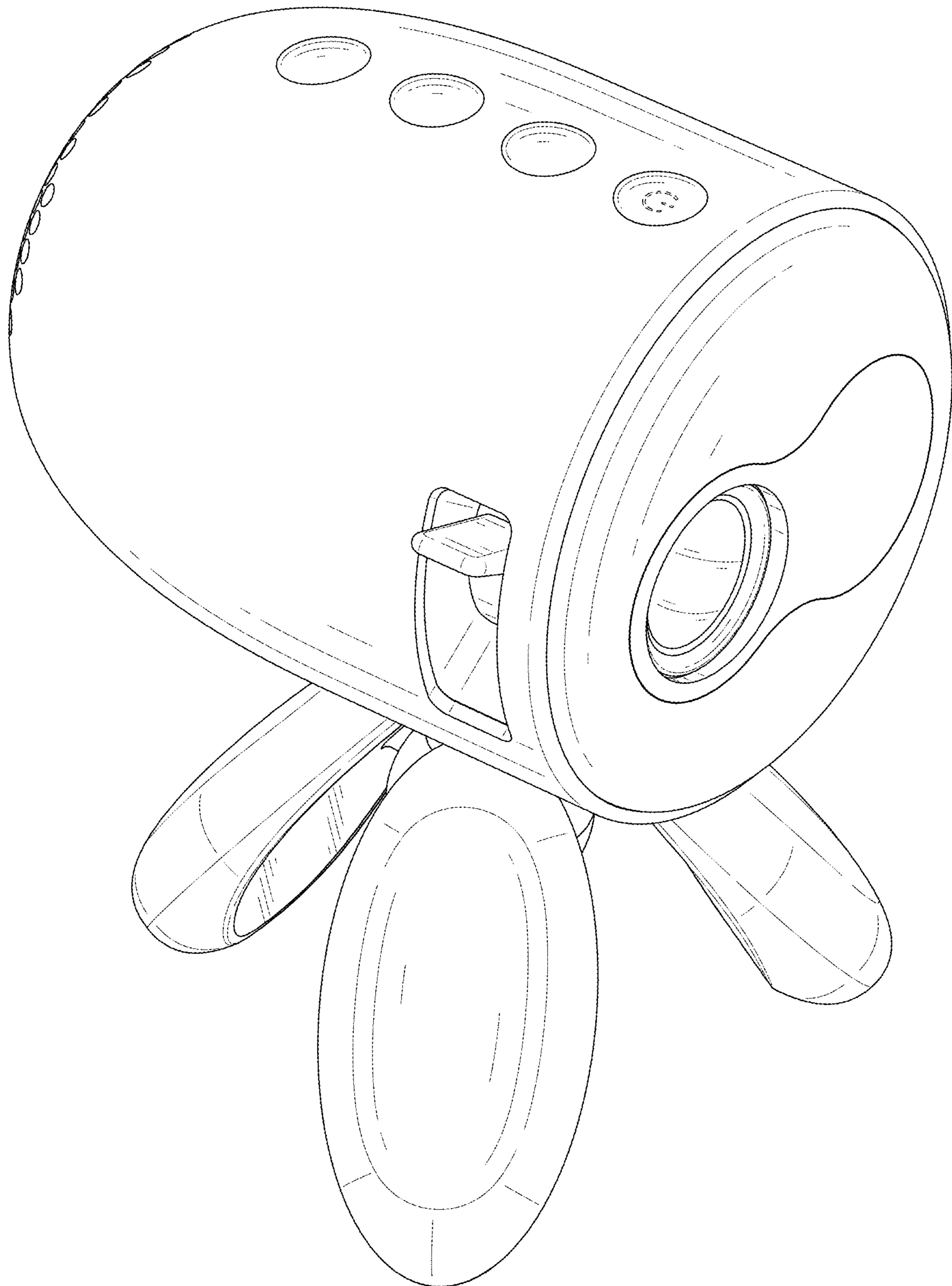


FIG. 1

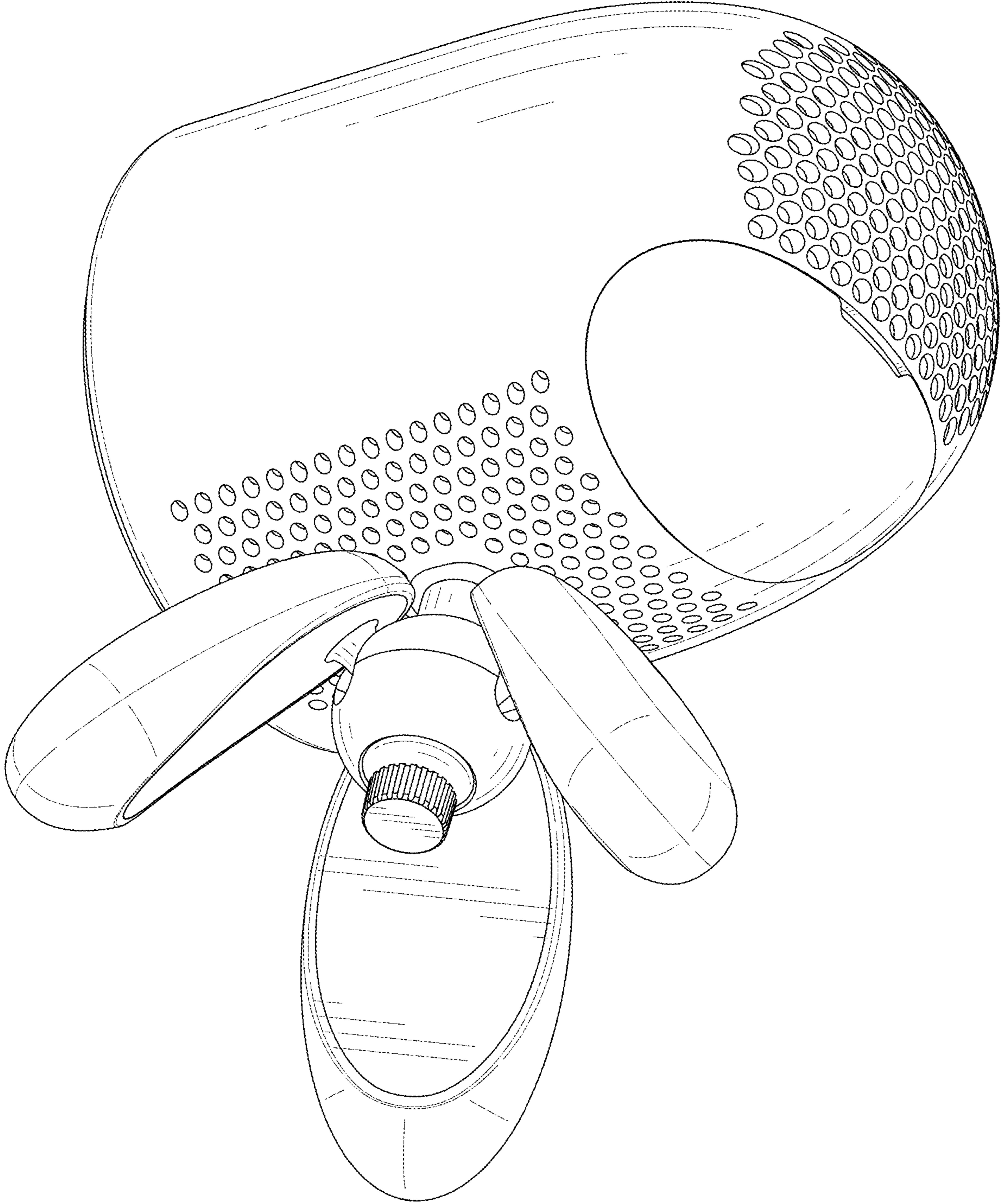


FIG. 2



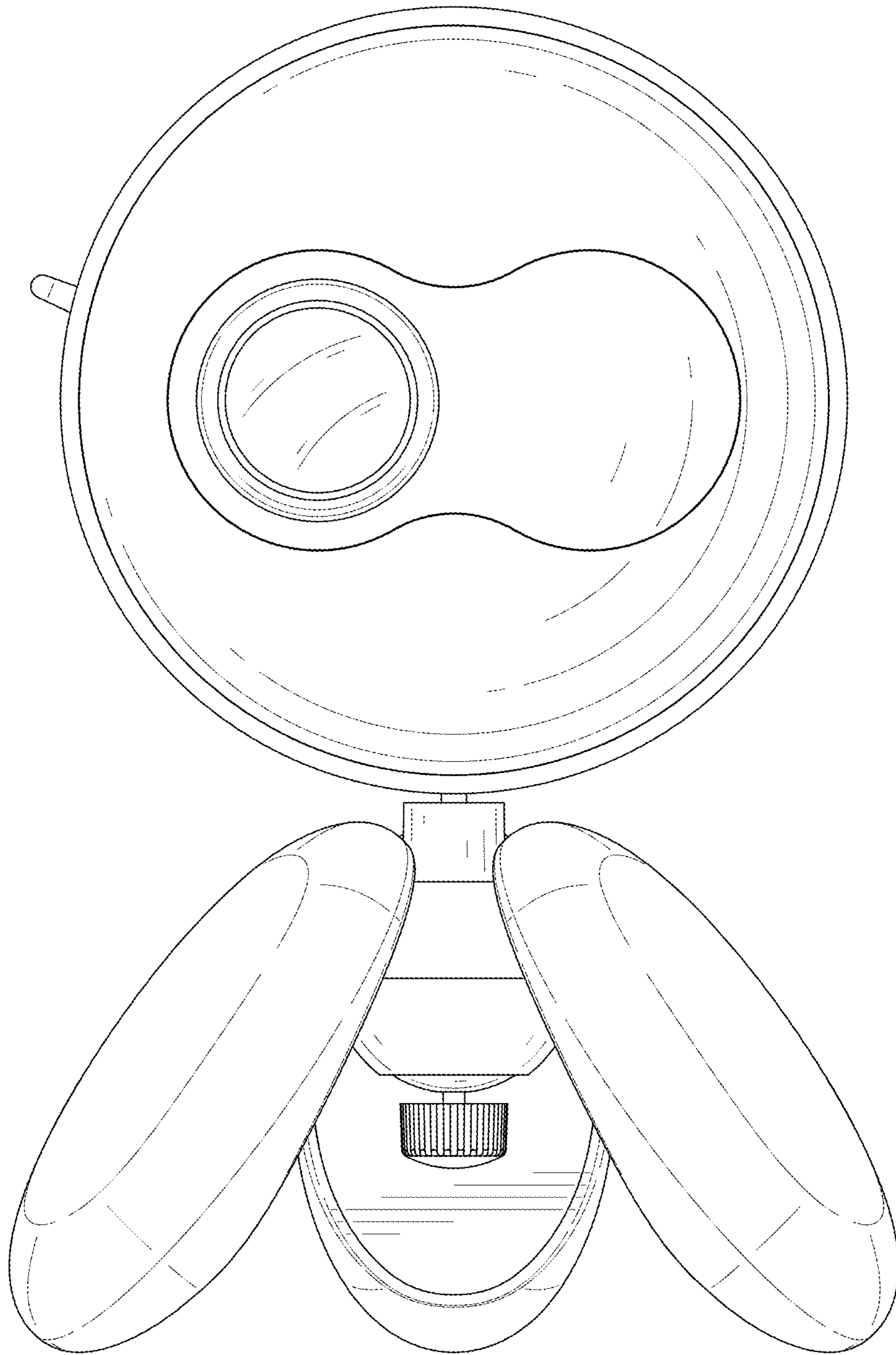


FIG. 3

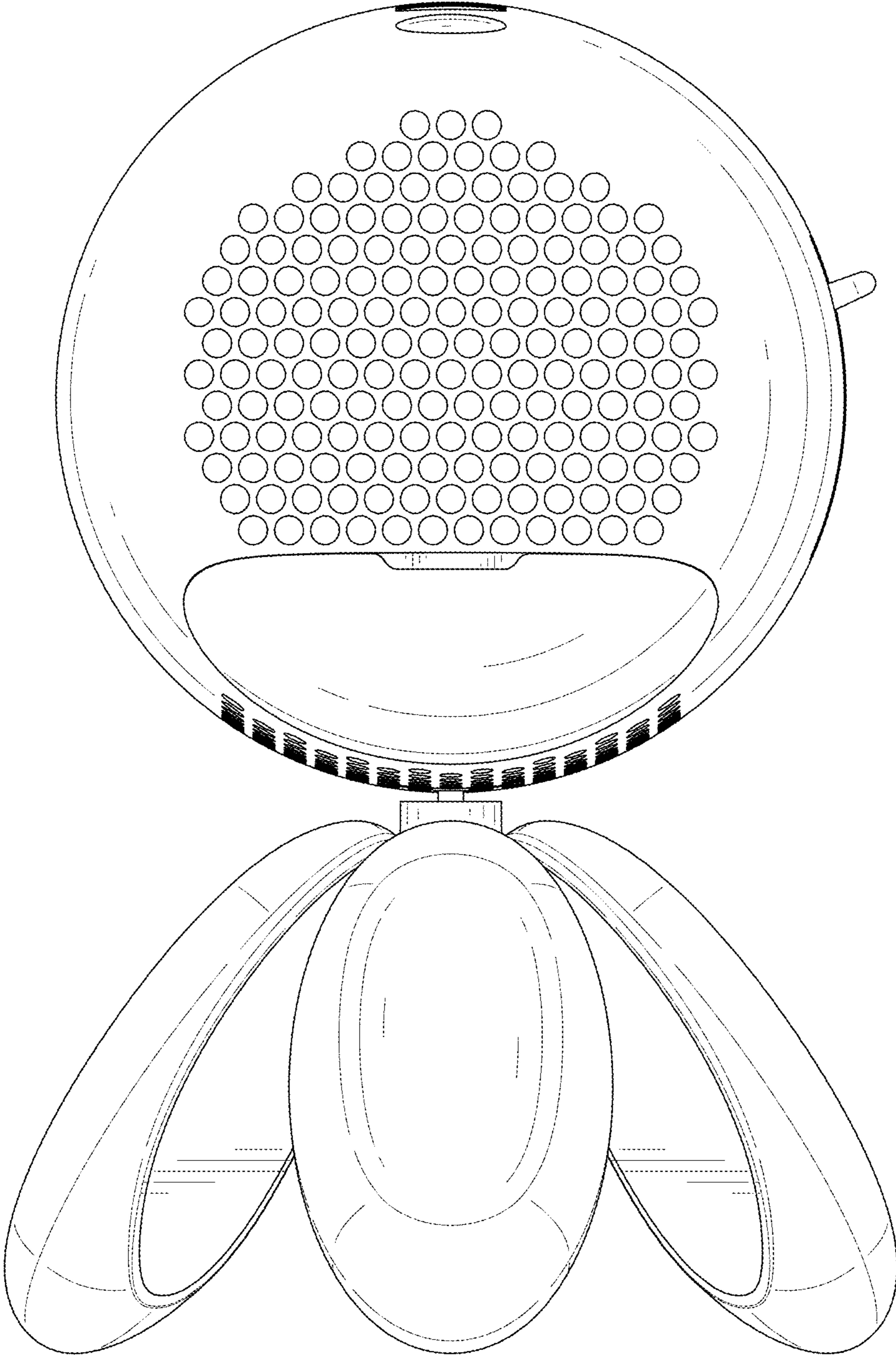


FIG. 4

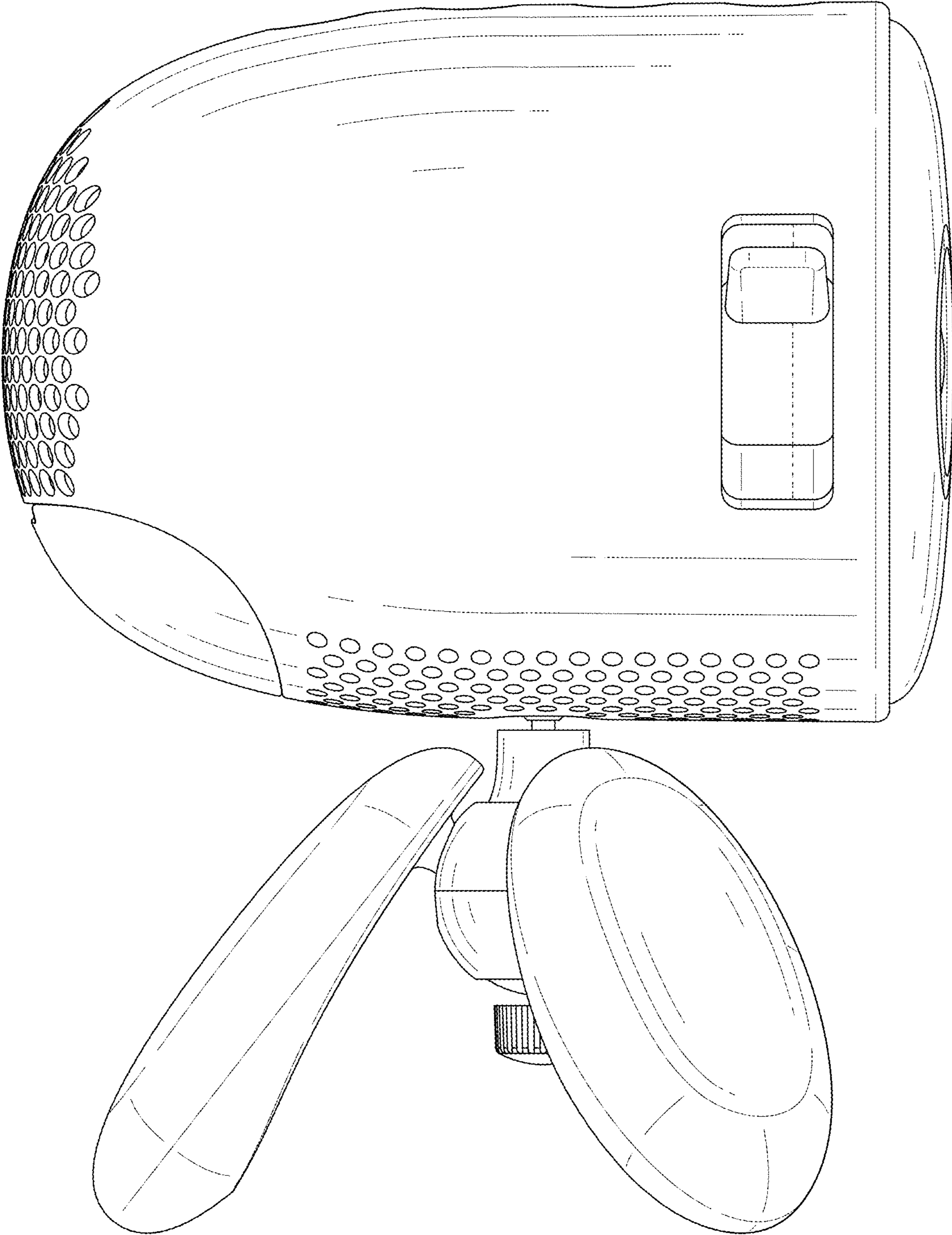


FIG. 5

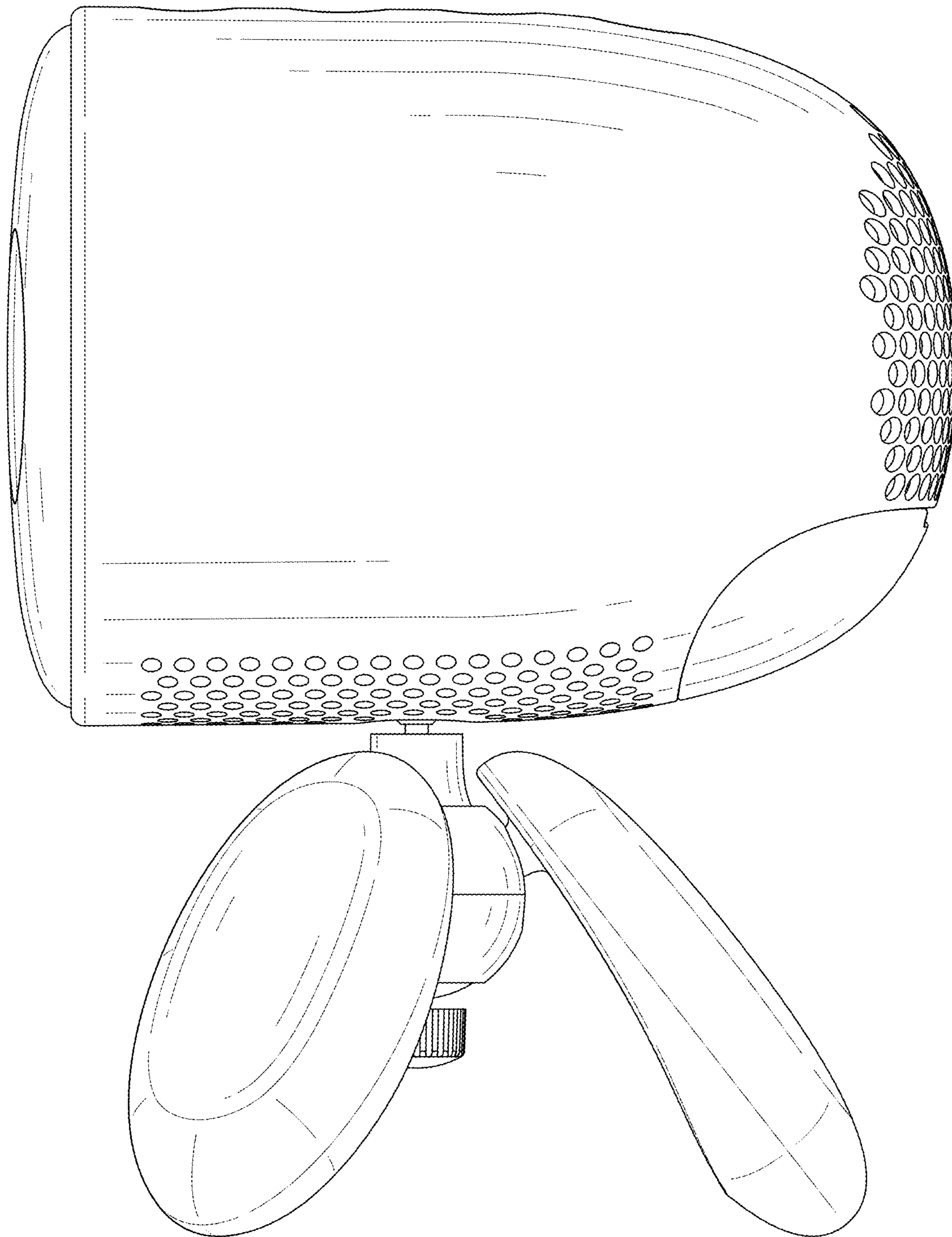


FIG. 6



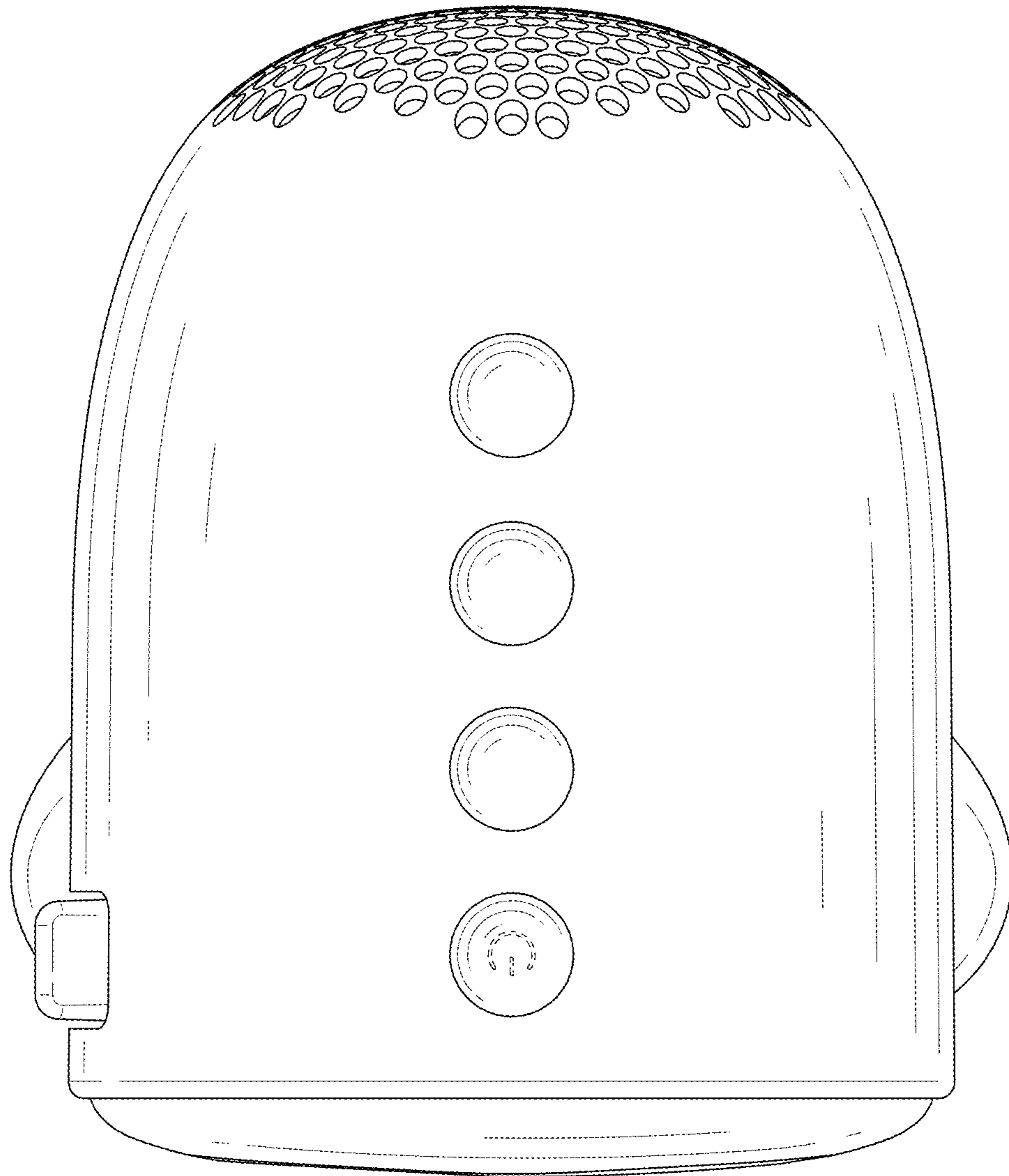


FIG. 7



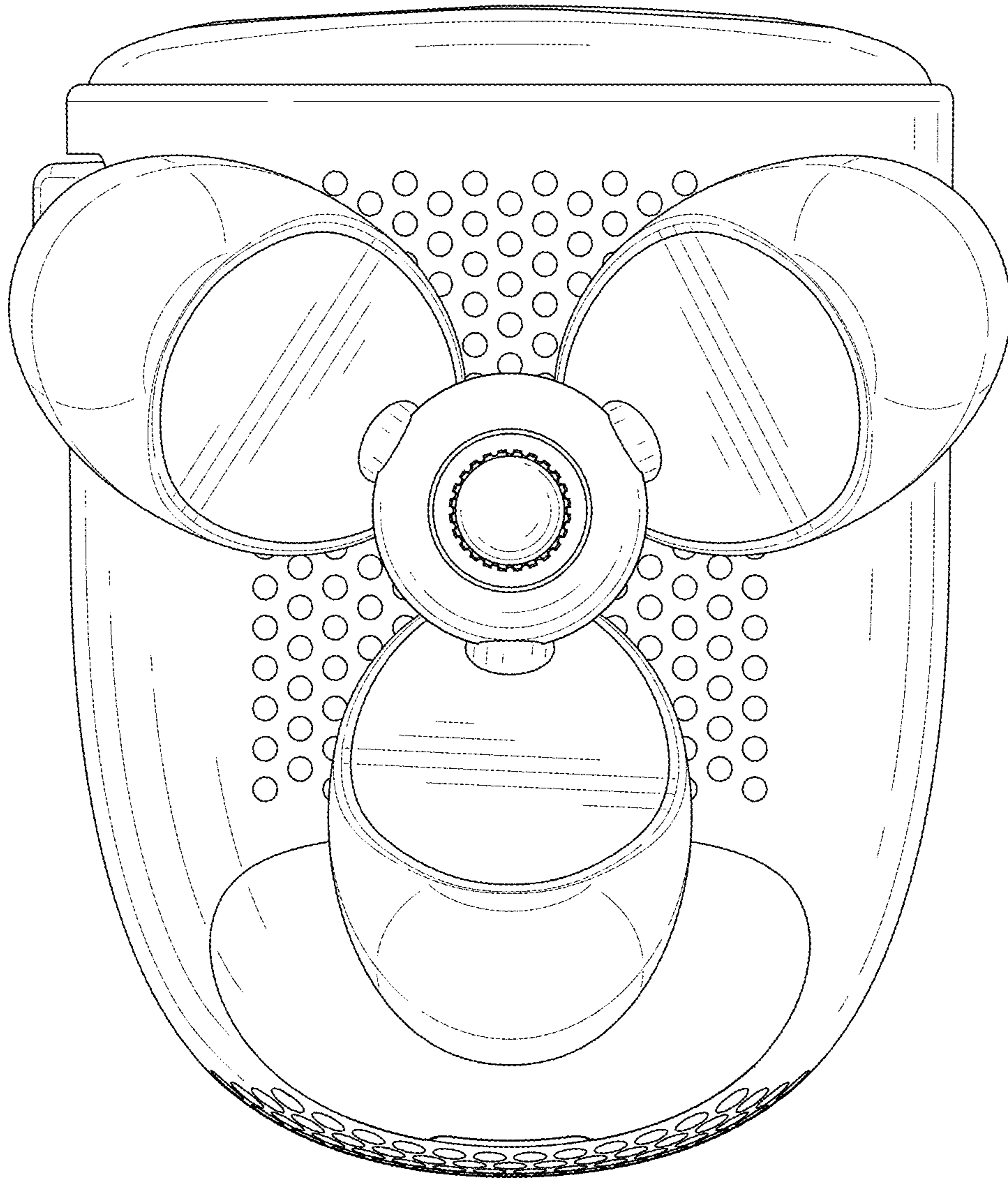


FIG. 8