



US00D907681S

(12) **United States Design Patent**
Gartrell et al.

(10) **Patent No.:** **US D907,681 S**
(45) **Date of Patent:** **** Jan. 12, 2021**

(54) **BABY MONITORING DEVICE**

(56) **References Cited**

(71) Applicant: **Verily Life Sciences LLC**, South San Francisco, CA (US)

U.S. PATENT DOCUMENTS

(72) Inventors: **Andrew Julian Gartrell**, Walnut Creek, CA (US); **Pontus Wahlgren**, Oakland, CA (US); **Gaurav Bradoo**, San Francisco, CA (US); **Vincent Borel**, Los Altos, CA (US)

D721,754 S	1/2015	Chen
D729,296 S	5/2015	Shelton
D733,781 S	7/2015	Chen
D740,871 S	10/2015	Moon et al.
D748,709 S	2/2016	Jeong
D754,233 S	4/2016	Du et al.
D761,340 S	7/2016	Pacurariu et al.
D784,434 S	4/2017	Benedetti
9,631,767 B2	4/2017	Kilgore et al.
D785,693 S	5/2017	Kim

(73) Assignee: **Verily Life Sciences LLC**, South San Francisco, CA (US)

(Continued)

(**) Term: **15 Years**

OTHER PUBLICATIONS

(21) Appl. No.: **29/652,356**

Design U.S. Appl. No. 29/652,354, Notice of Allowance, dated Sep. 21, 2020, 8 pages.

(22) Filed: **Jul. 27, 2020**

(Continued)

Related U.S. Application Data

(62) Division of application No. 29/661,981, filed on Aug. 31, 2018, now Pat. No. Des. 892,897.

Primary Examiner — Ramzi S Almatrahi

(74) *Attorney, Agent, or Firm* — Kilpatrick Townsend & Stockton LLP

(51) **LOC (13) Cl.** **16-01**

(57) **CLAIM**

We claim the ornamental design for a baby monitoring device, as shown and described.

(52) **U.S. Cl.**

DESCRIPTION

USPC **D16/203**

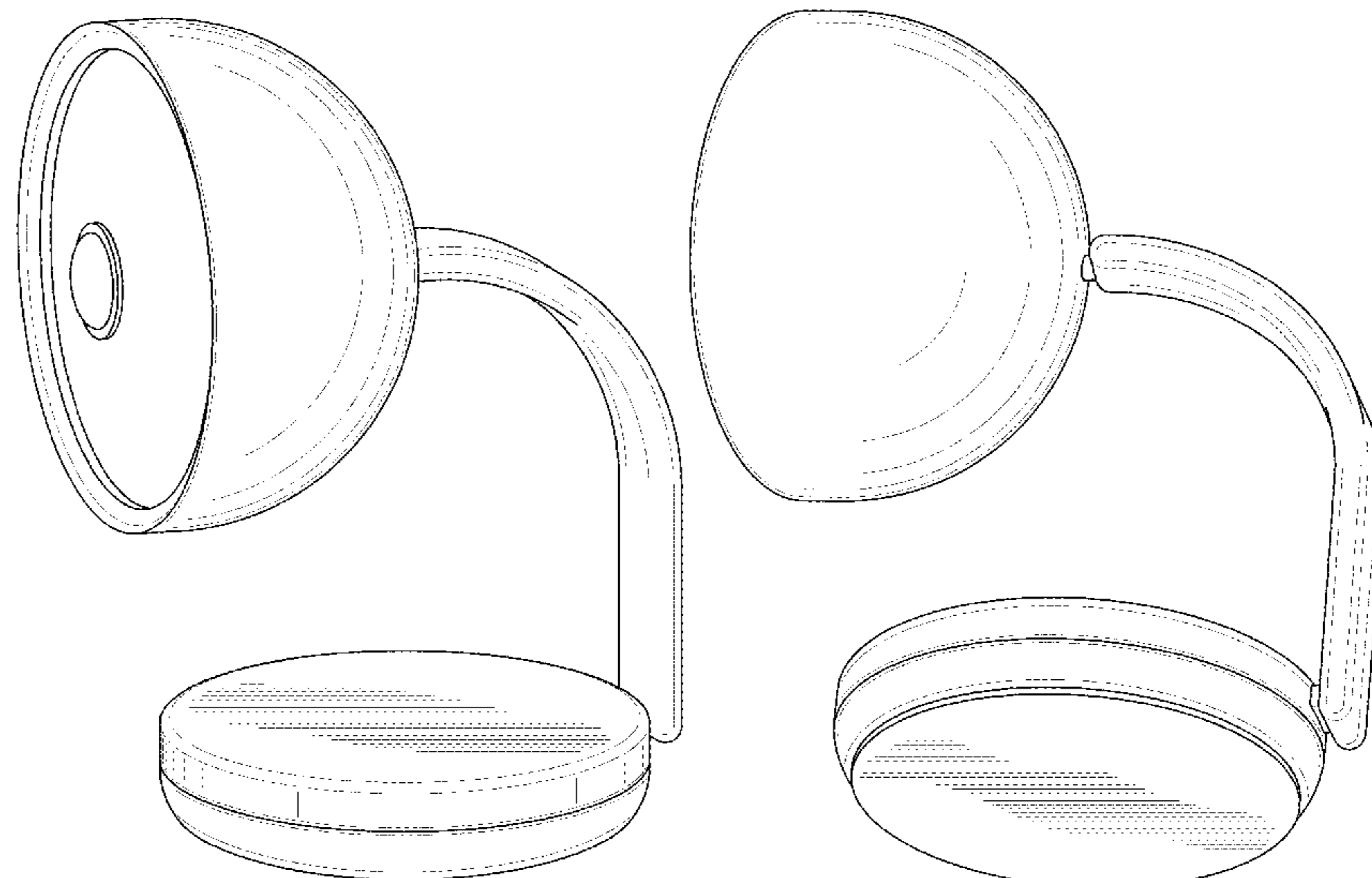
(58) **Field of Classification Search**

USPC D16/200, 202–205, 208, 211, 214, 218, D16/219, 221, 242; D14/447; 348/14.01–14.06, 143, 148, 373–376; 396/419, 427, 535, 539–541

CPC G03B 17/02; G03B 19/04; G03B 17/56; G03B 17/04; G03B 15/03; H04N 5/2251; H04N 5/2252; H04N 5/2253; H04N 5/2254; H04N 2007/145; H04N 7/141; H04N 7/142; H04N 7/147; H04N 7/148; H04N 7/15; H04N 7/152

See application file for complete search history.

1 Claim, 9 Drawing Sheets



(56)

References Cited

U.S. PATENT DOCUMENTS

D795,938 S	8/2017	Ravat et al.	
D798,360 S	9/2017	Jeong	
D828,425 S *	9/2018	Piekarski	D16/202
D828,426 S *	9/2018	Li	D16/202
D831,089 S *	10/2018	Laffon de Mazieres	D16/202
D849,077 S *	5/2019	Tian	D16/202
D863,406 S *	10/2019	Laffon de Mazieres	D16/219
D884,052 S *	5/2020	Tang	D16/203
D892,898 S *	8/2020	Jacob	D16/203
D892,899 S *	8/2020	Dayalan	D16/208
D893,575 S *	8/2020	Kyte	D16/202
D896,870 S *	9/2020	Li	D16/203

OTHER PUBLICATIONS

Design U.S. Appl. No. 29/661,983, Final Office Action, dated Aug. 20, 2020, 5 pages.

Design U.S. Appl. No. 29/661,979, Notice of Allowance, dated Apr. 10, 2020, 8 pages.

Design U.S. Appl. No. 29/661,981, Notice of Allowance, dated Apr. 10, 2020, 8 pages.

Design U.S. Appl. No. 29/661,983, Non-Final Office Action, dated Apr. 2, 2020, 6 pages.

Chinese Application No. CN201930080624.2, Notice of Decision to Grant, dated Mar. 2, 2020, 5 pages.

Chinese Application No. CN201930080624.2, Office Action, dated Oct. 11, 2019, 1 page.

* cited by examiner

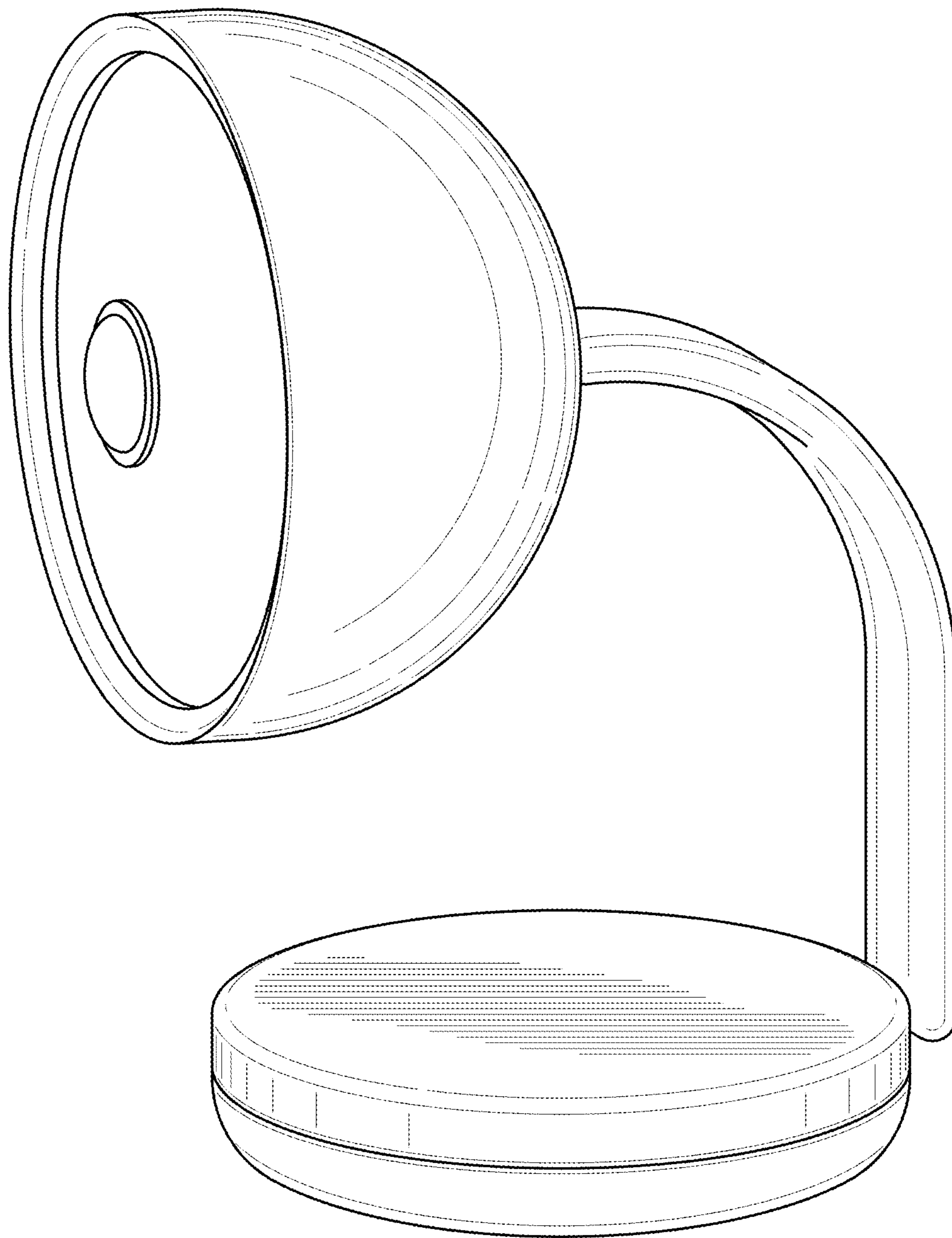


FIG. 1

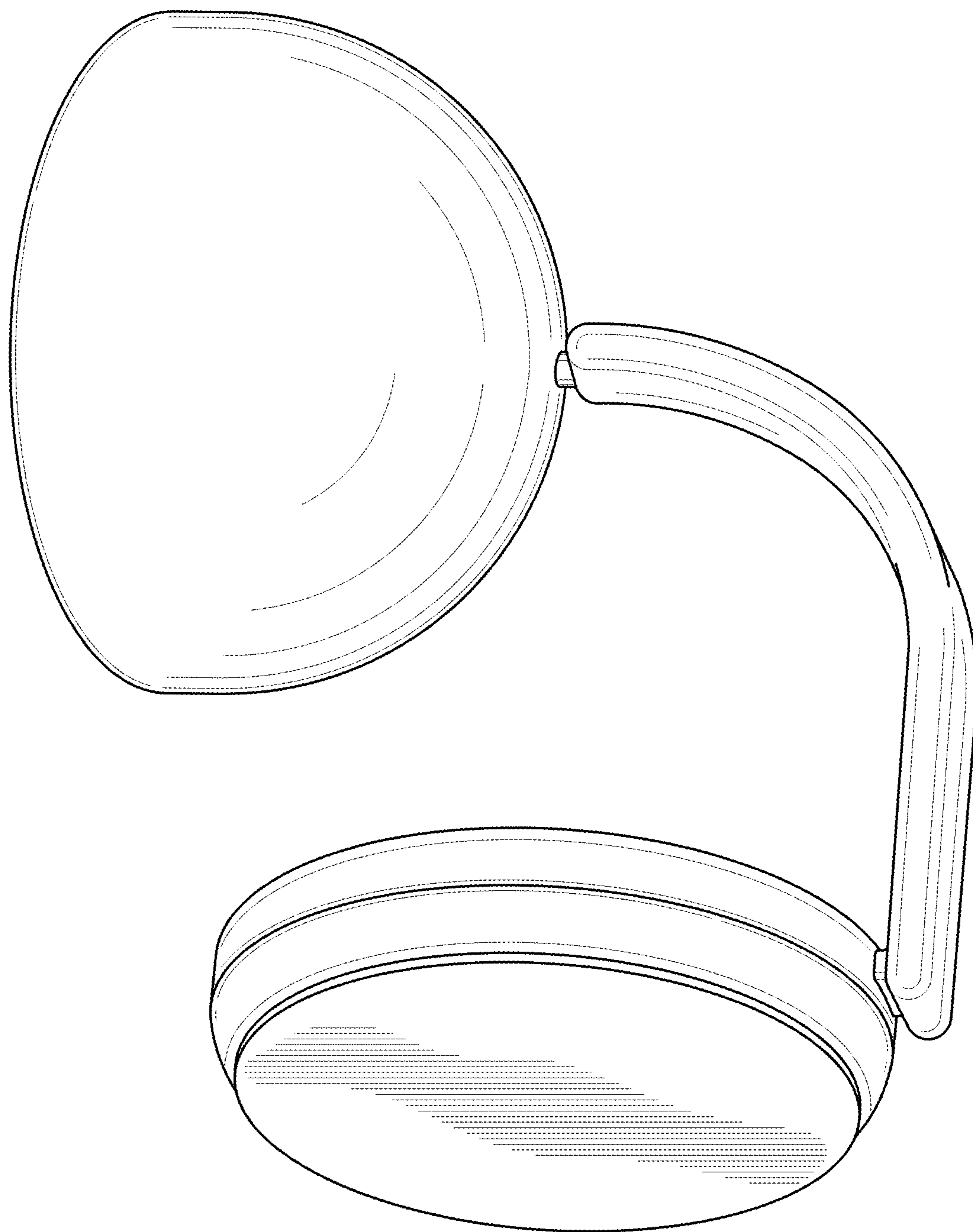


FIG. 2

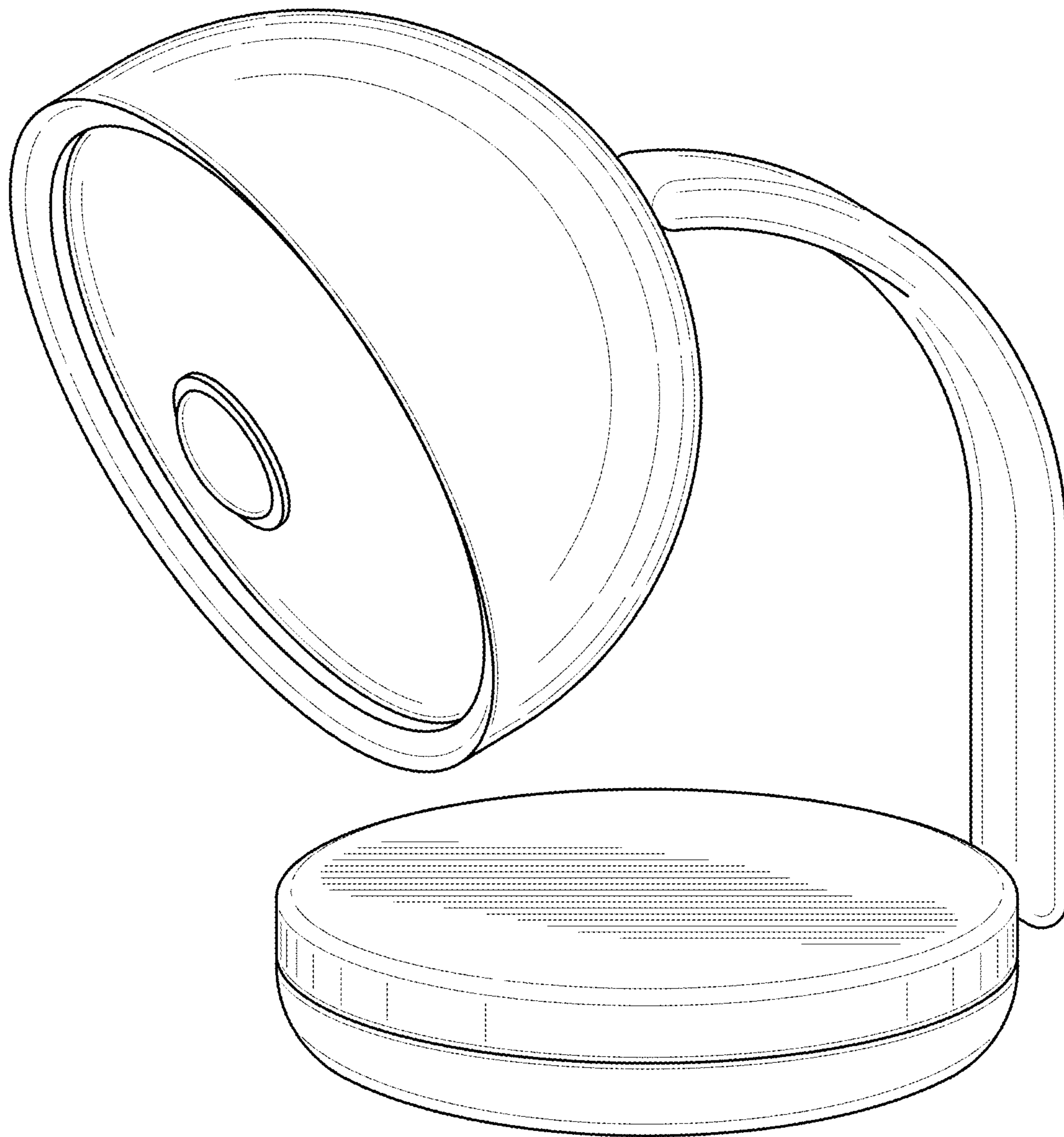


FIG. 3

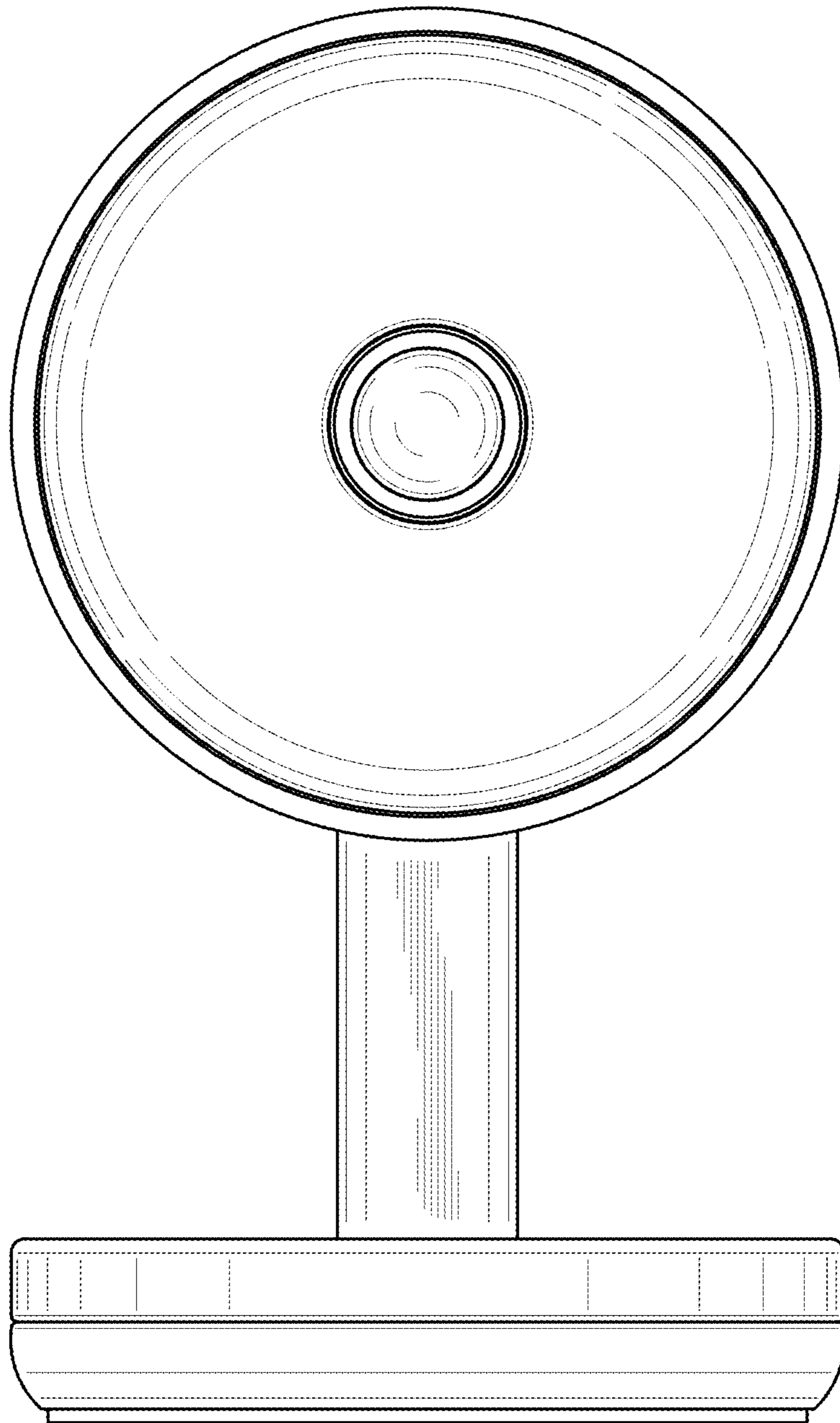


FIG. 4

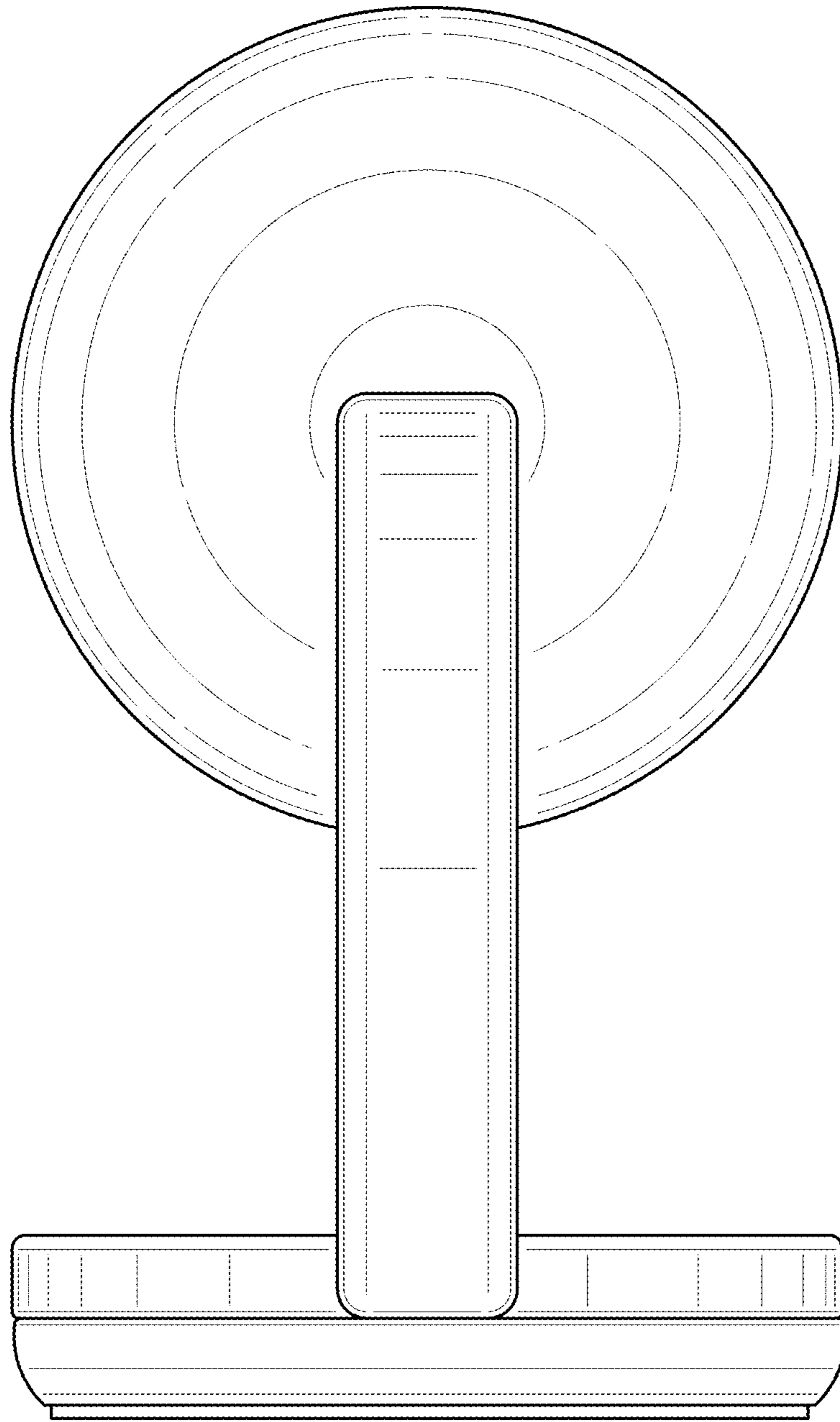


FIG. 5

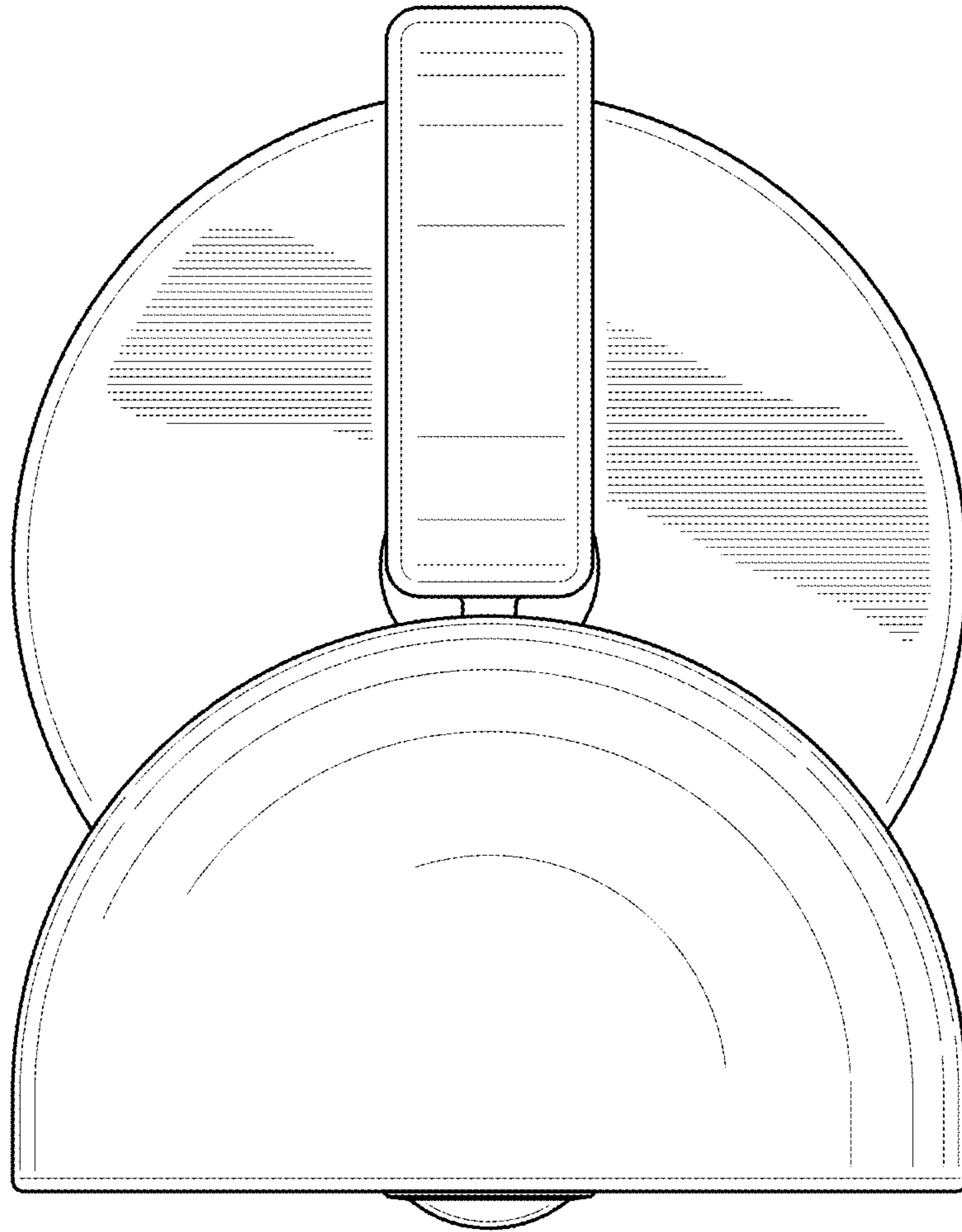


FIG. 6

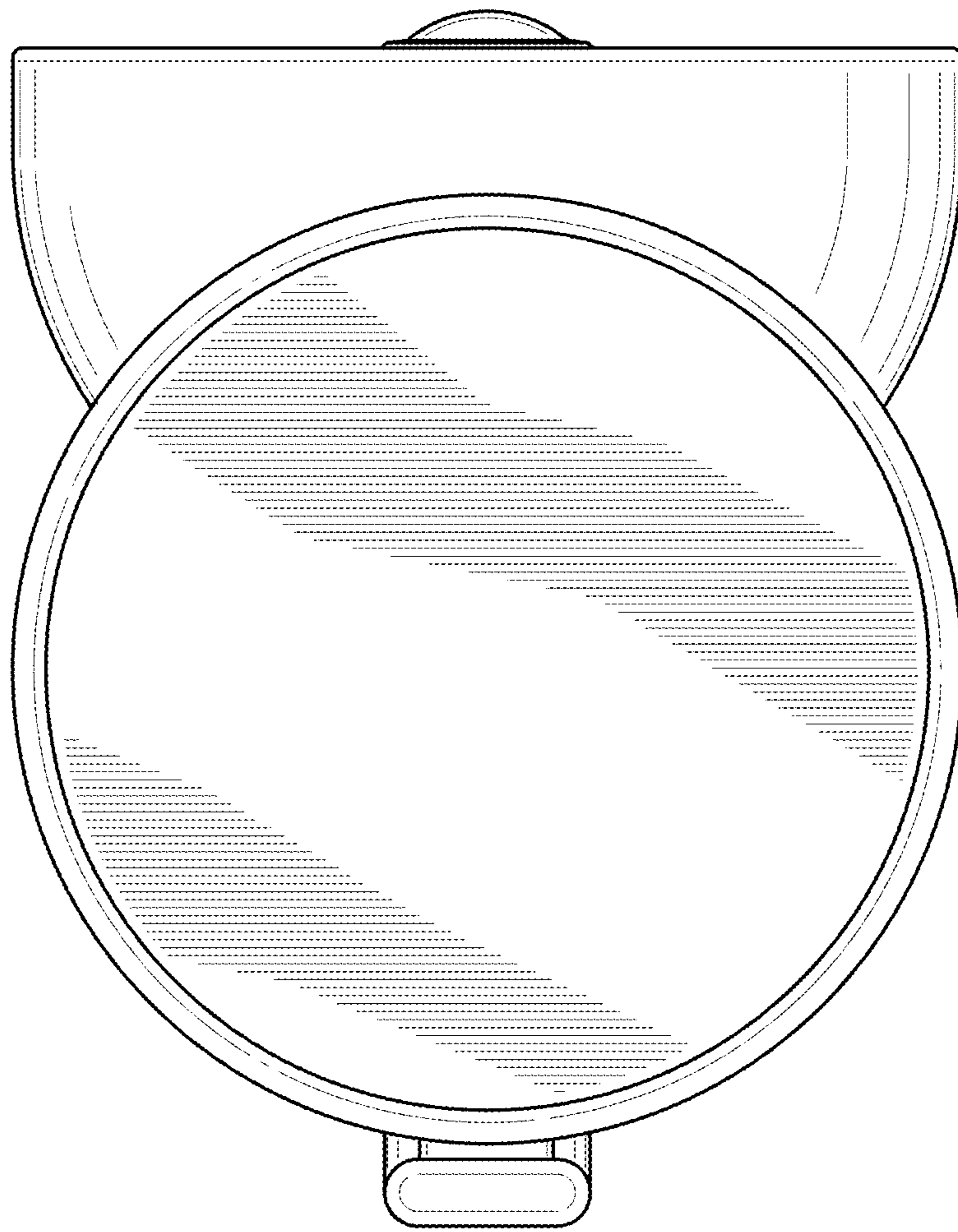


FIG. 7

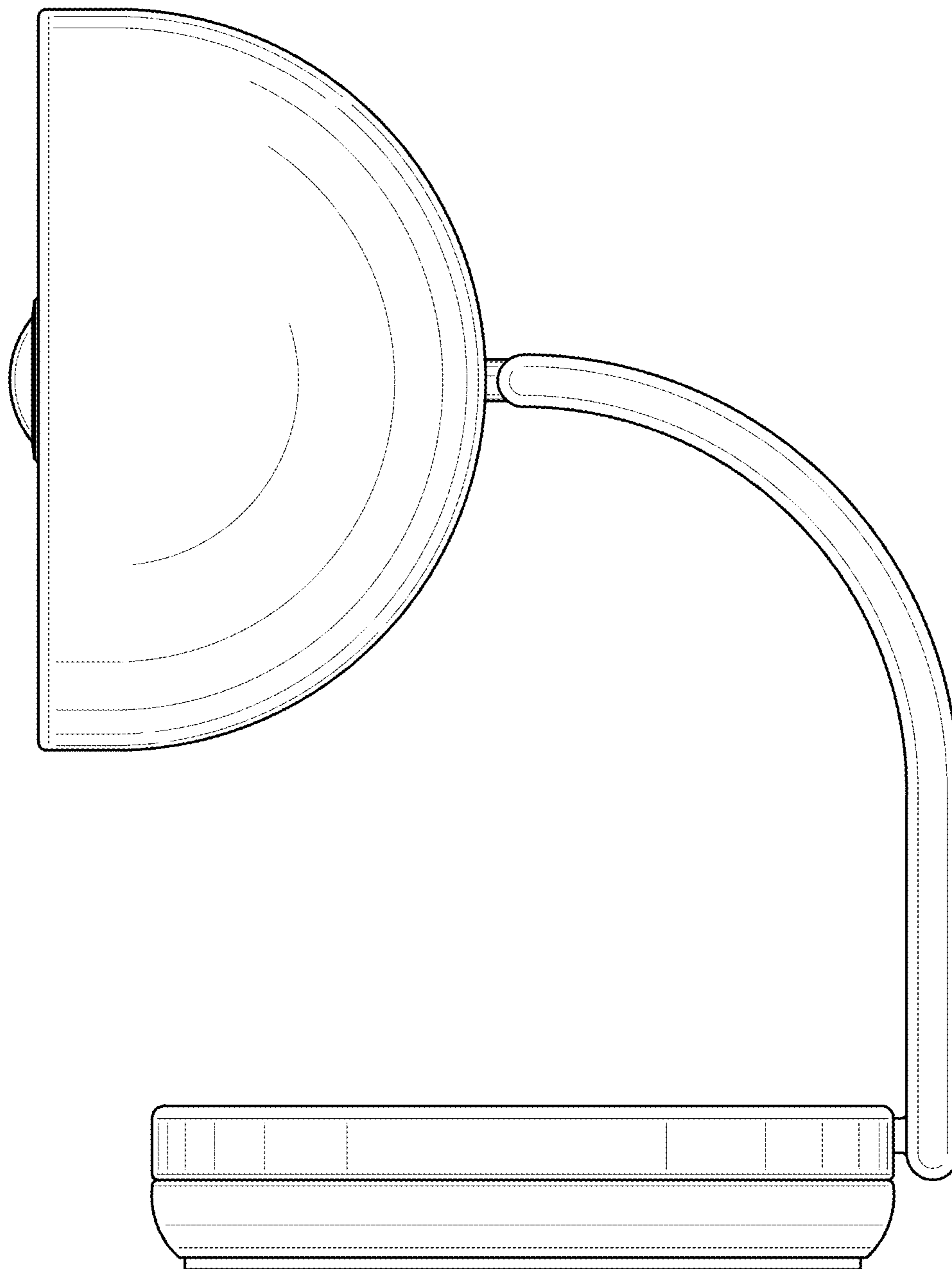


FIG. 8

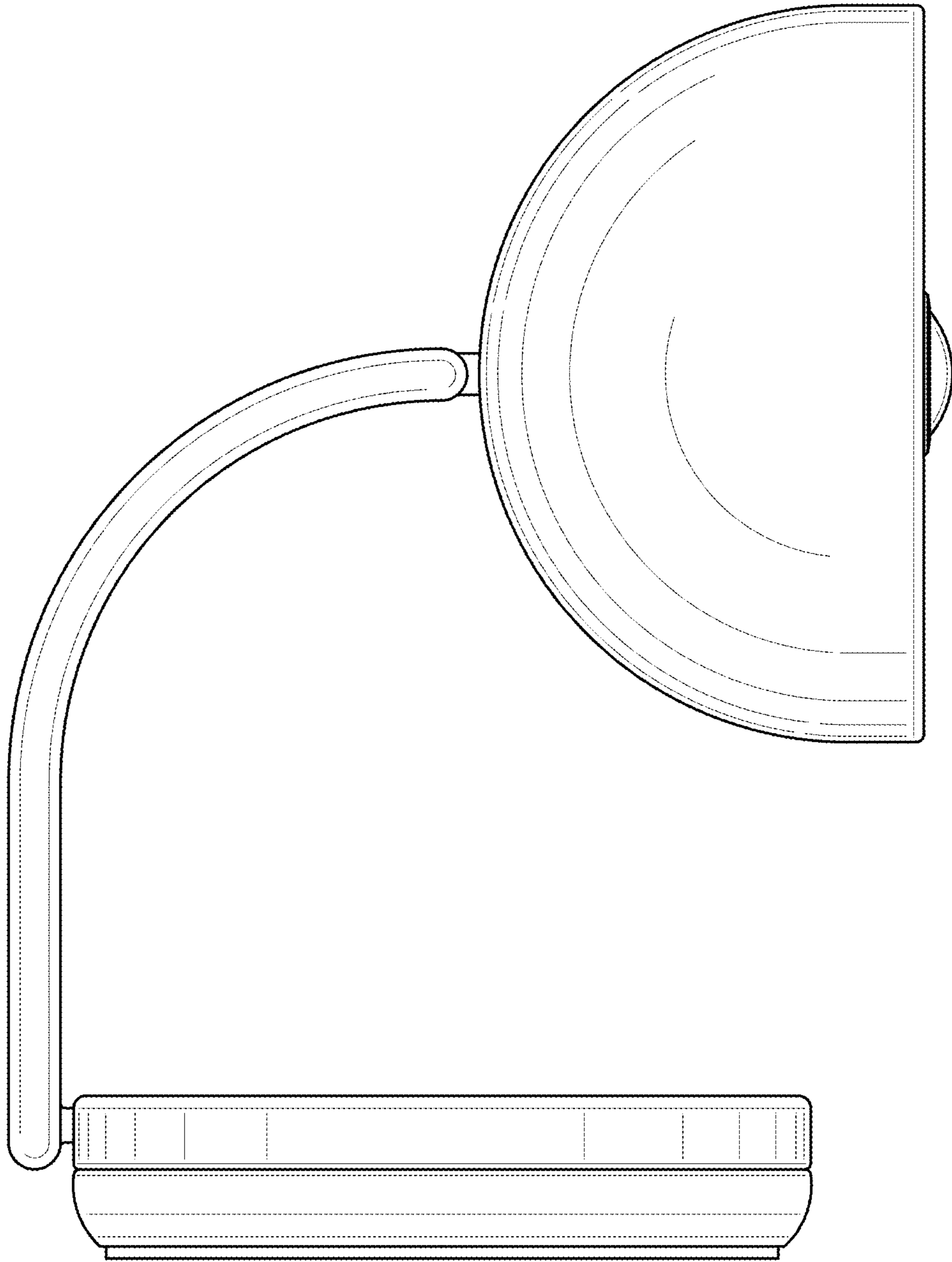


FIG. 9