



US00D907680S

(12) **United States Design Patent**
Nguyen et al.

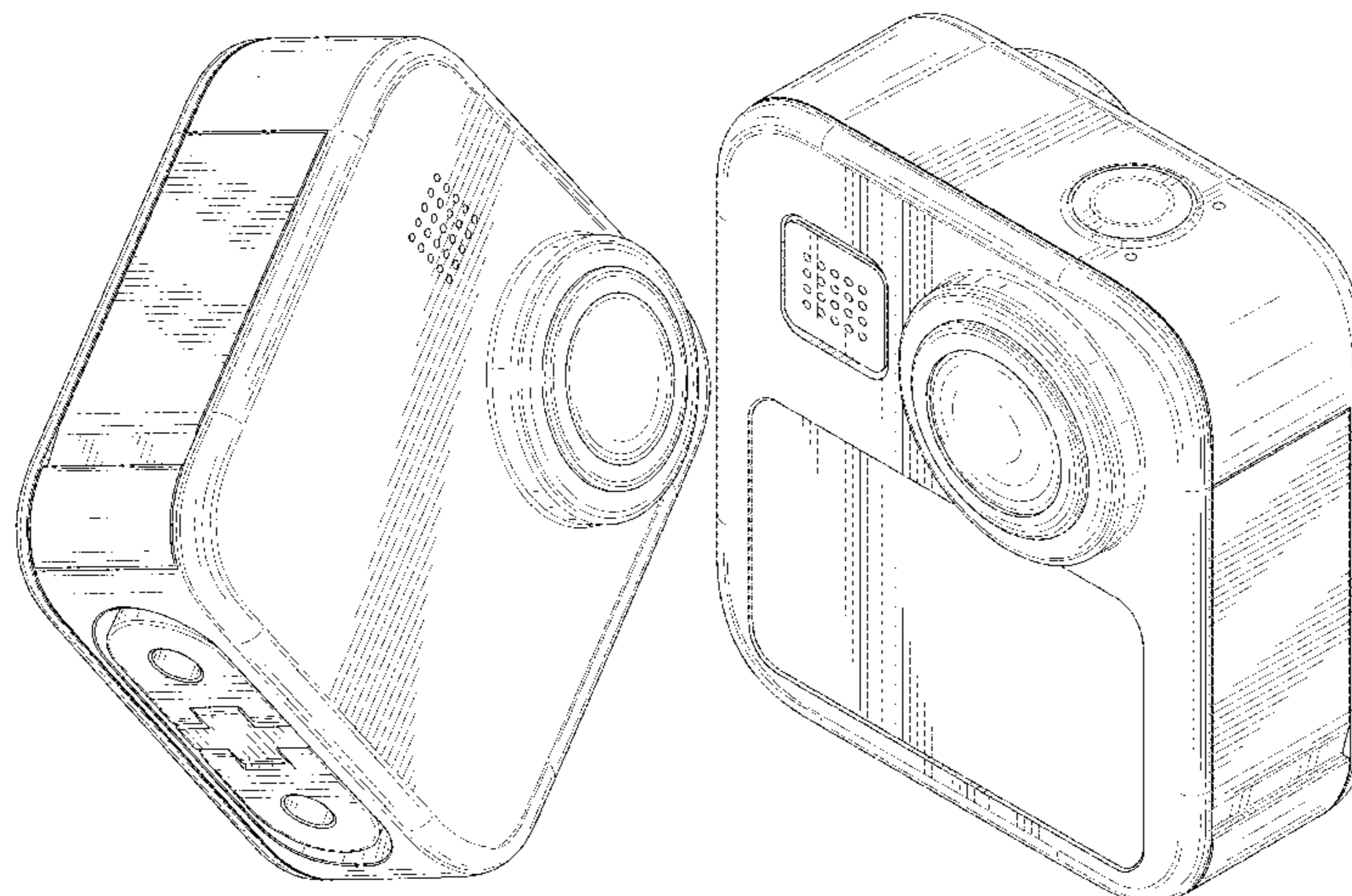
(10) **Patent No.:** **US D907,680 S**
(45) **Date of Patent:** **** Jan. 12, 2021**

- (54) **CAMERA**
- (71) Applicant: **GoPro, Inc.**, San Mateo, CA (US)
- (72) Inventors: **Huy Phuong Nguyen**, San Mateo, CA (US); **Daniel J. Coster**, San Francisco, CA (US); **John George Muhlenkamp, IV**, Brisbane, CA (US); **Heman Au**, San Mateo, CA (US); **Senka Agic Bergman**, Montara, CA (US); **Nicholas Vitale**, Foster City, CA (US)
- (73) Assignee: **GoPro, Inc.**, San Mateo, CA (US)
- (**) Term: **15 Years**
- (21) Appl. No.: **29/661,818**
- (22) Filed: **Aug. 31, 2018**
- (51) **LOC (13) Cl.** **16-01**
- (52) **U.S. Cl.**
USPC **D16/202**
- (58) **Field of Classification Search**
USPC D16/200–220, 131, 132, 237, 242, 239, D16/250, 235, 130, 134, 136, 238, 243; D14/417, 138 C, 240, 248, 203.1, 203.3, D14/203.7, 218, 207, 440, 402, 454, 407, D14/408, 252, 253; D10/104.1, 50, 65, D10/74, 70, 118.2, 66; D12/187; D29/102, 122, 103; D3/269, 267; D30/199
CPC G03B 17/00; G03B 17/02; G03B 17/56; G03B 17/04; G03B 17/14; G03B 17/08; G03B 15/03; G03B 15/06; H04N 1/00981; H04N 5/2251; H04N 5/2252; H04N 5/2253; H04N 5/2254; H04N 5/23238; H04N 7/00; H04N 13/239; H04N 2101/00; F16M 13/00
See application file for complete search history.

D118,296 S	12/1939	Tuomey	
3,508,482 A	4/1970	Taylor	
4,091,402 A	5/1978	Siegel	
4,208,028 A	6/1980	Brown	
4,469,423 A	9/1984	Bresson	
4,646,141 A	2/1987	Timmermans	
4,733,259 A	3/1988	Ng	
D321,705 S	11/1991	Ohmura	
D338,220 S	8/1993	Kohno	
D339,365 S	9/1993	Urcuilio	
5,400,234 A	3/1995	Yu	
D392,659 S	3/1998	Takano	
5,808,663 A	9/1998	Okaya	
D407,098 S	3/1999	Goto	
D441,386 S	5/2001	Yamazaki	
D442,982 S	5/2001	Adachi	
6,233,400 B1	5/2001	Muramatsu	
6,315,180 B1	11/2001	Watkins	
D463,469 S	9/2002	Kawase	
D474,489 S	* 5/2003	Kawashima	D16/202
D480,741 S	* 10/2003	Berger	D16/202
D484,164 S	12/2003	Ogura	
D486,510 S	2/2004	Ogura	
D487,765 S	3/2004	Dow	
6,718,129 B1	4/2004	Cornell	
D496,674 S	9/2004	Hayashi	
D504,904 S	5/2005	Nagai	
D515,121 S	2/2006	Bleau	
D515,613 S	2/2006	Holmes	
D524,836 S	7/2006	Morita	
D527,403 S	8/2006	Byun	
D531,199 S	10/2006	Matsuda	
D532,029 S	11/2006	Kim	
D532,030 S	11/2006	Yoshida	
D532,433 S	11/2006	Sato	
D533,574 S	12/2006	Hamamura	
D534,564 S	1/2007	Tainaka	
D538,322 S	3/2007	Horikiri	
D544,463 S	6/2007	Harris, Jr.	
D551,969 S	10/2007	Aurilio	
D556,803 S	12/2007	Ishida	
D566,151 S	4/2008	Won	
D576,486 S	9/2008	Koza	
D577,729 S	9/2008	Derry	
D577,731 S	9/2008	Altonji	
D594,047 S	6/2009	Lee	
D594,497 S	6/2009	Hatori	
D596,217 S	7/2009	Kim	
7,626,621 B2	12/2009	Ito	
7,653,292 B2	1/2010	Yamaguchi	
7,683,968 B2	3/2010	Hagihara	
D616,480 S	5/2010	Ookawa	
D616,742 S	6/2010	Lynn	

(56) **References Cited**
U.S. PATENT DOCUMENTS

1,612,277 A 12/1926 Leo
D96,348 S 7/1935 Teaque



US D907,680 S

D617,360 S	6/2010	Endo		D760,312 S	6/2016	Lee	
7,728,905 B2	6/2010	Tanaka		9,360,742 B1	6/2016	Harrison	
D622,591 S	8/2010	Biesecker, II		9,395,031 B1	7/2016	Clearman	
7,768,727 B2	8/2010	Iida		D762,759 S	8/2016	Wu	
7,801,439 B2	9/2010	Nagata		D763,346 S	8/2016	Jenkins	
D635,607 S	4/2011	Takagi		D764,559 S	8/2016	Luo	
D641,389 S	7/2011	Dastagir		D766,351 S	9/2016	Li	
8,014,656 B2	9/2011	Woodman		D769,346 S	10/2016	Nguyen	
D647,554 S	10/2011	Yim		D772,966 S	11/2016	Song	
D647,935 S	11/2011	Raken		9,507,245 B1	11/2016	Druker	
D657,808 S	4/2012	Woodman		D773,546 S	12/2016	Nguyen	
D660,339 S	5/2012	Yoshida		D773,547 S	12/2016	Lee	
8,199,251 B2	6/2012	Woodman		D775,254 S	12/2016	Parfitt	
D664,995 S	8/2012	Akana		D776,183 S	1/2017	Miyazaki	
D676,476 S	2/2013	Ishikura		D776,738 S *	1/2017	Clearman	D16/200
D680,097 S	4/2013	Davies		D776,741 S	1/2017	Parfitt	
8,467,675 B2	6/2013	Chen		D777,236 S	1/2017	Mai	
D690,280 S	9/2013	Schul		D777,240 S *	1/2017	Costa	D16/245
8,542,308 B2	9/2013	Ozawa		D777,821 S	1/2017	Gioscia	
D692,042 S	10/2013	Dawes		D778,335 S *	2/2017	Gioscia	D16/200
8,544,643 B2	10/2013	Yim		D778,336 S	2/2017	Gioscia	
D692,939 S	11/2013	Huang		D779,576 S	2/2017	Ikegame	
D700,166 S	2/2014	Petersen		D780,244 S	2/2017	Wang	
D702,276 S	4/2014	Woodman		9,588,407 B1 *	3/2017	Harrison	G03B 17/561
D702,278 S	4/2014	Kim		D785,692 S	5/2017	Wang	
8,743,277 B2	6/2014	Matsuzawa		D785,695 S	5/2017	Woodman	
8,792,003 B2	7/2014	Nakamura		D785,696 S *	5/2017	Parfitt	D16/242
D710,921 S *	8/2014	Gioscia	D16/200	D785,697 S	5/2017	Costa	
D710,922 S *	8/2014	Gioscia	D16/200	D788,835 S	6/2017	Wu	
D713,868 S	9/2014	Yang		D789,435 S	6/2017	Nguyen	
8,837,928 B1	9/2014	Clearman		D790,001 S	6/2017	Parfitt	
D715,347 S	10/2014	Troxel		D790,002 S	6/2017	Nguyen	
D718,617 S	12/2014	Taylor		D791,211 S	7/2017	Fujita	
D721,395 S	1/2015	Woodman		D791,848 S	7/2017	Zhu	
D722,864 S *	2/2015	Greenthal	D8/382	D792,919 S	7/2017	Ryu	
D724,637 S *	3/2015	Samuels	D16/200	D793,463 S	8/2017	Houin	
D724,638 S *	3/2015	Samuels	D16/200	D794,695 S	8/2017	Zhang	
D725,169 S *	3/2015	Gioscia	D16/200	D794,696 S	8/2017	Nguyen	
D725,691 S	3/2015	De Rosa		D798,929 S	10/2017	Zhou	
8,992,102 B1	3/2015	Samuels		D800,202 S	10/2017	Hu	
D727,387 S	4/2015	Hasegawa		D800,817 S *	10/2017	Sutton	D16/202
D727,991 S	4/2015	Hasegawa		D800,819 S	10/2017	Parfitt	
9,004,783 B1	4/2015	Woodman		D803,705 S	11/2017	Read	
D729,059 S	5/2015	Taylor		D803,919 S *	11/2017	Jeong	D16/202
D729,761 S	5/2015	Hu		D803,920 S *	11/2017	Shin	D16/203
D729,762 S	5/2015	Hu		D803,925 S	11/2017	Hoshi	
D730,423 S	5/2015	Vandenbussche		D804,560 S	12/2017	Costa	
9,033,596 B2	5/2015	Samuels		D805,117 S	12/2017	Nguyen	
D732,593 S	6/2015	Woodman		D805,569 S	12/2017	Daugela	
D733,781 S	7/2015	Chen		D806,155 S	12/2017	Parfitt	
D733,788 S	7/2015	Baker		D806,775 S	1/2018	Nguyen	
D734,799 S	7/2015	Woodman		D808,163 S	1/2018	Song	
D737,879 S	9/2015	Woodman		D814,543 S	4/2018	Oshima	
D739,451 S	9/2015	Gioscia		D815,677 S	4/2018	Gao	
D740,868 S	10/2015	Gioscia		D816,753 S	5/2018	Zhang	
D741,394 S	10/2015	Gioscia		D818,025 S	5/2018	Wong	
D741,932 S	10/2015	Huang		D818,028 S	5/2018	Ramones	
D742,952 S	11/2015	Nakajima		D818,029 S *	5/2018	Fujita	D16/218
D744,572 S	12/2015	Tabuchi		D819,718 S *	6/2018	Wu	D16/218
D745,589 S	12/2015	Lee		D820,335 S	6/2018	Favè	
D745,920 S	12/2015	Lee		D820,339 S *	6/2018	Yau	D16/203
9,204,021 B2	12/2015	Woodman		D820,898 S *	6/2018	Fujita	D16/218
D750,146 S	2/2016	Costa		D821,480 S	6/2018	Gioscia	
D750,680 S	3/2016	Chen		D821,481 S	6/2018	Gioscia	
D750,686 S	3/2016	Chen		D824,982 S	8/2018	Lee	
D750,687 S	3/2016	Samuels		D825,636 S	8/2018	Hueber	
D750,690 S	3/2016	Lee		D829,260 S	9/2018	Fujita	
D751,131 S	3/2016	Woodman		D830,446 S *	10/2018	Muhlenkamp, IV	D16/218
D752,672 S *	3/2016	Clearman	D16/200	D832,905 S	11/2018	Liu	
D753,749 S	4/2016	Zhu		D832,906 S	11/2018	Hasegawa	
D754,238 S	4/2016	Woodman		D833,505 S	11/2018	Hu	
D754,769 S	4/2016	Patulski		D835,172 S	12/2018	Fujita	
D755,270 S	5/2016	Vehlewald		D835,910 S	12/2018	Eliyahu	
D755,271 S	5/2016	Patulski		D836,696 S	12/2018	Zhang	
D755,274 S	5/2016	Lee		D837,861 S	1/2019	Luo	
D755,874 S	5/2016	Yang		D837,865 S	1/2019	Parfitt	
D758,467 S	6/2016	Zhang		D838,762 S	1/2019	Piekarski	
D759,145 S	6/2016	Lee		D839,335 S	1/2019	Zhang	
D760,309 S	6/2016	Parfitt		D839,945 S	2/2019	Lenz	

D840,463 S	2/2019	Nguyen	
D842,142 S	3/2019	Recker	
D848,509 S	5/2019	Lee	
D849,076 S	5/2019	Bertram	
D849,078 S	5/2019	Girotti	
D849,084 S	5/2019	Hu	
D849,100 S	5/2019	Hsu	
D849,108 S *	5/2019	Huang	D16/218
D849,730 S	5/2019	Charette	
D850,513 S	6/2019	Gan	
D851,155 S	6/2019	Hu	
D852,255 S	6/2019	Guo	
D852,256 S	6/2019	Bai	
D854,597 S	7/2019	Gao	
D855,675 S	8/2019	Luo	
D859,498 S	9/2019	Lin	
D861,761 S	10/2019	Bergman	
D861,765 S *	10/2019	Muhlenkamp	D16/218
D861,766 S	10/2019	Lim	
D864,275 S	10/2019	Huang	
D865,843 S	11/2019	Hu	
D865,844 S	11/2019	Jalala	
D865,845 S	11/2019	Sakai	
D867,420 S	11/2019	Zhang	
D867,427 S *	11/2019	Bai	D16/210
D868,871 S	12/2019	Nguyen	
D868,874 S *	12/2019	Muhlenkamp	D16/219
D869,844 S *	12/2019	Eliyahu	D3/294
D870,176 S *	12/2019	Hokari	D16/200
D870,183 S	12/2019	Tsukamoto	
D871,480 S	12/2019	Hu	
10,523,925 B2 *	12/2019	Woodman	H04N 5/23238
D872,162 S	1/2020	Gao	
10,536,615 B2 *	1/2020	Campbell	H04N 5/2253
10,574,871 B2 *	2/2020	Abbas	G03B 37/04
D880,561 S *	4/2020	Muhlenkamp, IV	D16/218
D880,567 S *	4/2020	Zhang	D16/237
D880,569 S *	4/2020	Zhang	D16/242
D894,256 S *	8/2020	Vitale	D16/242
10,768,508 B1 *	9/2020	Woodman	H04N 5/2254
2002/0046218 A1	4/2002	Gilbert	
2003/0156212 A1	8/2003	Kingetsu	
2004/0223752 A1	11/2004	Ghanouni	
2005/0019029 A1	1/2005	Kawakami	
2005/0212959 A1	9/2005	Manabe	
2006/0233545 A1	10/2006	Senba	
2006/0257137 A1	11/2006	Fromm	
2007/0019948 A1	1/2007	Terada	
2007/0140686 A1	6/2007	Misawa	
2008/0117328 A1	5/2008	Daoud	
2008/0248703 A1	10/2008	Russell	
2010/0060747 A1	3/2010	Woodman	
2010/0061711 A1	3/2010	Woodman	
2011/0001834 A1	1/2011	Herrell	
2011/0042530 A1	2/2011	Phillips	
2011/0129210 A1	6/2011	McGucken	
2011/0216195 A1	9/2011	Tanaka	
2011/0317065 A1	12/2011	Lin	
2013/0186310 A1	7/2013	Lymberis	
2013/0321696 A1	12/2013	Bae	
2014/0060582 A1	3/2014	Hartranft	
2014/0160349 A1	6/2014	Huang	
2015/0022717 A1	1/2015	Coons	
2015/0122849 A1	5/2015	Jones	
2015/0189131 A1	7/2015	Woodman	
2015/0316835 A1 *	11/2015	Scott	G03B 17/561 396/419
2016/0116828 A1 *	4/2016	Clearman	G03B 17/561 396/428
2016/0119516 A1	4/2016	Clearman	
2016/0131963 A1	5/2016	Clearman	
2016/0209731 A1	7/2016	Song	
2016/0274338 A1 *	9/2016	Davies	H04N 5/2254
2017/0059967 A1	3/2017	Harrison	
2017/0111559 A1 *	4/2017	Abbas	H04N 5/2252
2017/0150236 A1	5/2017	Newman	
2017/0195550 A1	7/2017	Kim	
2017/0289413 A1	10/2017	Samuels	
2017/0324890 A1	11/2017	Moskovchenko	

2018/0039162 A1	2/2018	Ali	
2018/0081258 A1	3/2018	Clyne	
2018/0084194 A1	3/2018	Woodman	
2018/0084215 A1	3/2018	Jing	
2018/0102123 A1	4/2018	Tisch	
2018/0103189 A1	4/2018	Nguyen	
2018/0103190 A1	4/2018	Nguyen	
2018/0146122 A1 *	5/2018	Campbell	G03B 17/08
2018/0198989 A1	7/2018	MacMillan	
2018/0262682 A1 *	9/2018	Wang	H04N 5/23238
2020/0159091 A1 *	5/2020	Vitale	G03B 17/56
2020/0184690 A1 *	6/2020	Guerin	G06T 11/001
2020/0204721 A1 *	6/2020	Douady	H04N 5/23216
2020/0204772 A1 *	6/2020	Gounelle	H04N 9/646
2020/0218136 A1 *	7/2020	Au	G03B 17/56
2020/0221010 A1 *	7/2020	Douady	H04N 5/2353
2020/0221219 A1 *	7/2020	Hardin	H04N 5/225
2020/0259978 A1 *	8/2020	Abbas	G02B 13/06

FOREIGN PATENT DOCUMENTS

CA	168972	4/1916
EP	0031985220005	2/2018
JP	H05304625 A	11/1993
JP	1595273	1/2018
JP	1595299	1/2018

OTHER PUBLICATIONS

Chinese Office Action, Chinese Application No. 201430488714.2, dated Mar. 12, 2015, three pages.
 Office Action for Taiwanese Patent Application No. TW 103304745, dated Jan. 28, 2016, 3 Pages.
 PCT International Search Report and Written Opinion for PCT/US2014/058465, dated Dec. 23, 2014, 17 pages.
 PCT International Search Report and Written Opinion for PCT/US2014/070655, dated Apr. 29, 2015, 13 Pages.
 United States Office Action for U.S. Appl. No. 14/148,536, dated Jul. 9, 2014, 9 pages.
 United States Office Action for U.S. Appl. No. 14/536,683, dated Dec. 18, 2014, 14 Pages.
 United States Office Action for U.S. Appl. No. 14/536,683, dated Jun. 9, 2015, 16 pages.
 United States Office Action for U.S. Appl. No. 14/536,683, dated Sep. 21, 2015. 15 Pages.
 United States Office Action, U.S. Appl. No. 29/576,880, dated Mar. 9, 2017, 13 pages.
 Design U.S. Appl. No. 29/631,230, filed Feb. 28, 2017, 79 pages.

* cited by examiner

Primary Examiner — Dana K Weiland
 Assistant Examiner — Mary Claire Ramirez
 (74) Attorney, Agent, or Firm — Young Basile Hanlon & MacFarlane, P.C.

(57) CLAIM

The ornamental design for a camera, as shown and described.

DESCRIPTION

FIG. 1 is a front, lower, left perspective view of a camera.
 FIG. 2 is a rear, upper, left perspective view of the camera of FIG. 1.
 FIG. 3 is a front elevation view of the camera of FIG. 1.
 FIG. 4 is a rear elevation view of the camera of FIG. 1.
 FIG. 5 is a right elevation view of the camera of FIG. 1.
 FIG. 6 is a left elevation view of the camera of FIG. 1.
 FIG. 7 is a top plan view of the camera of FIG. 1; and,
 FIG. 8 is a bottom plan view of the camera of FIG. 1.

The broken lines in the drawings depict portions of the camera that form no part of the claimed design.

1 Claim, 7 Drawing Sheets

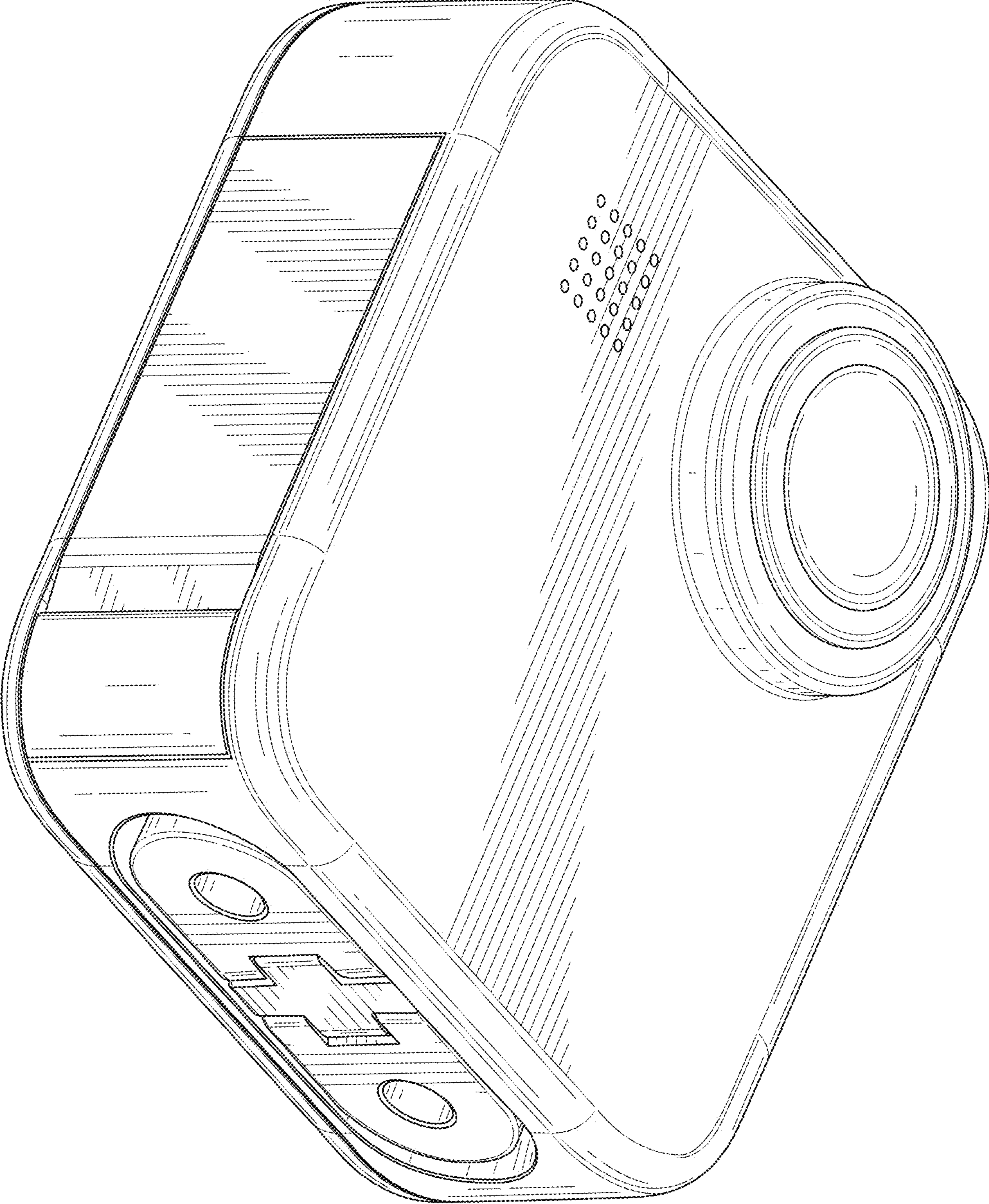


FIG. 1

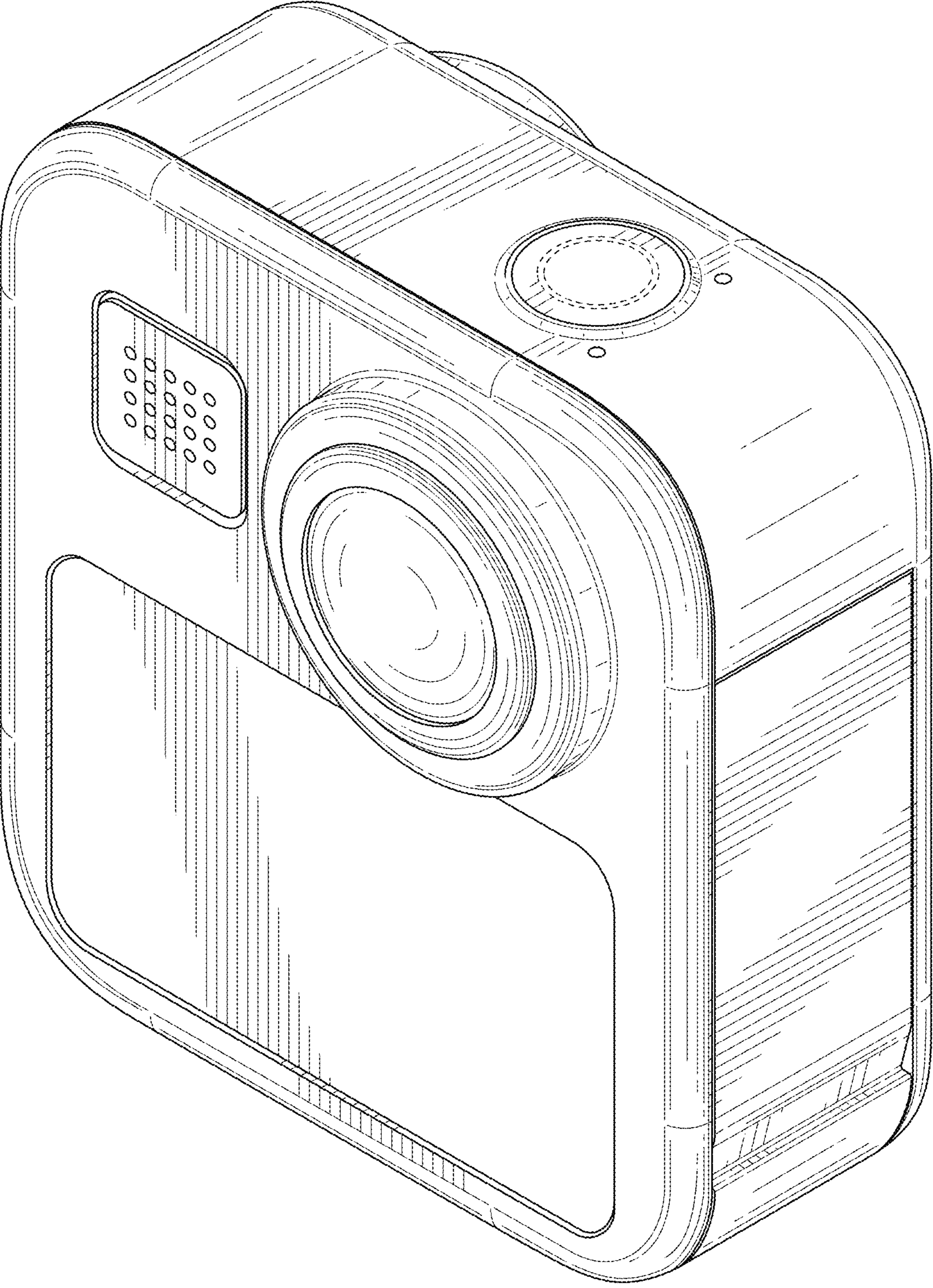


FIG. 2

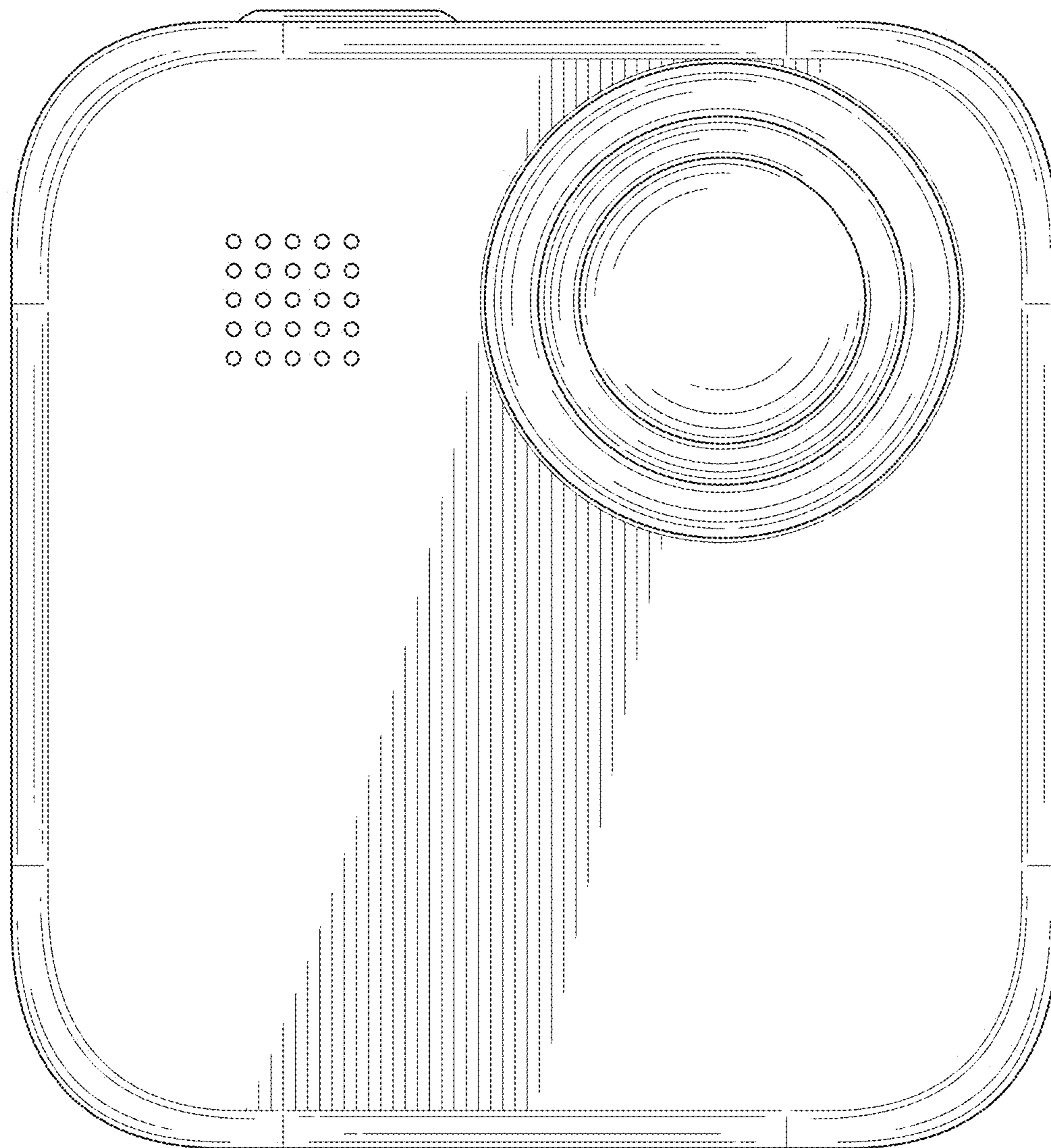


FIG. 3

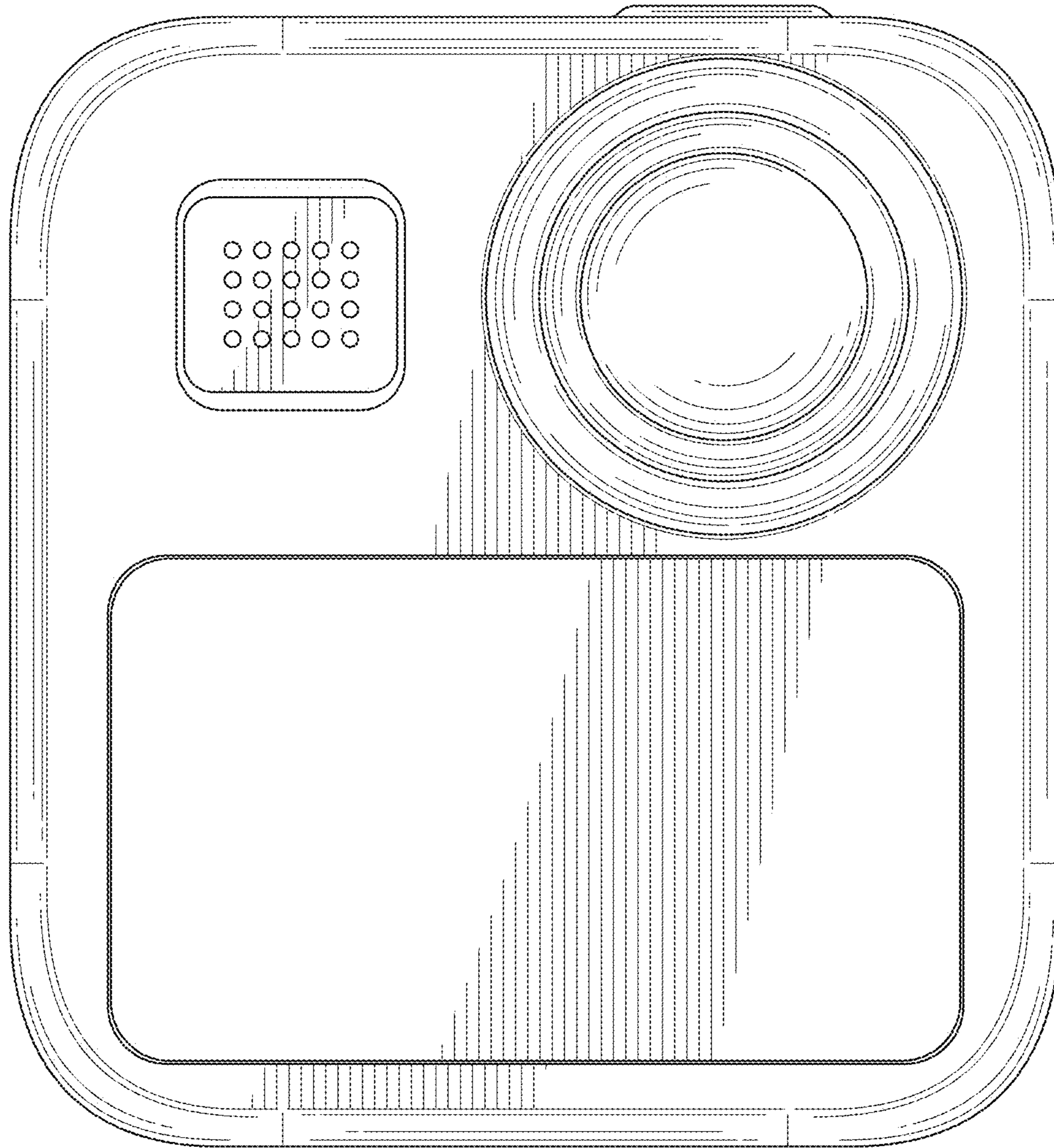


FIG. 4

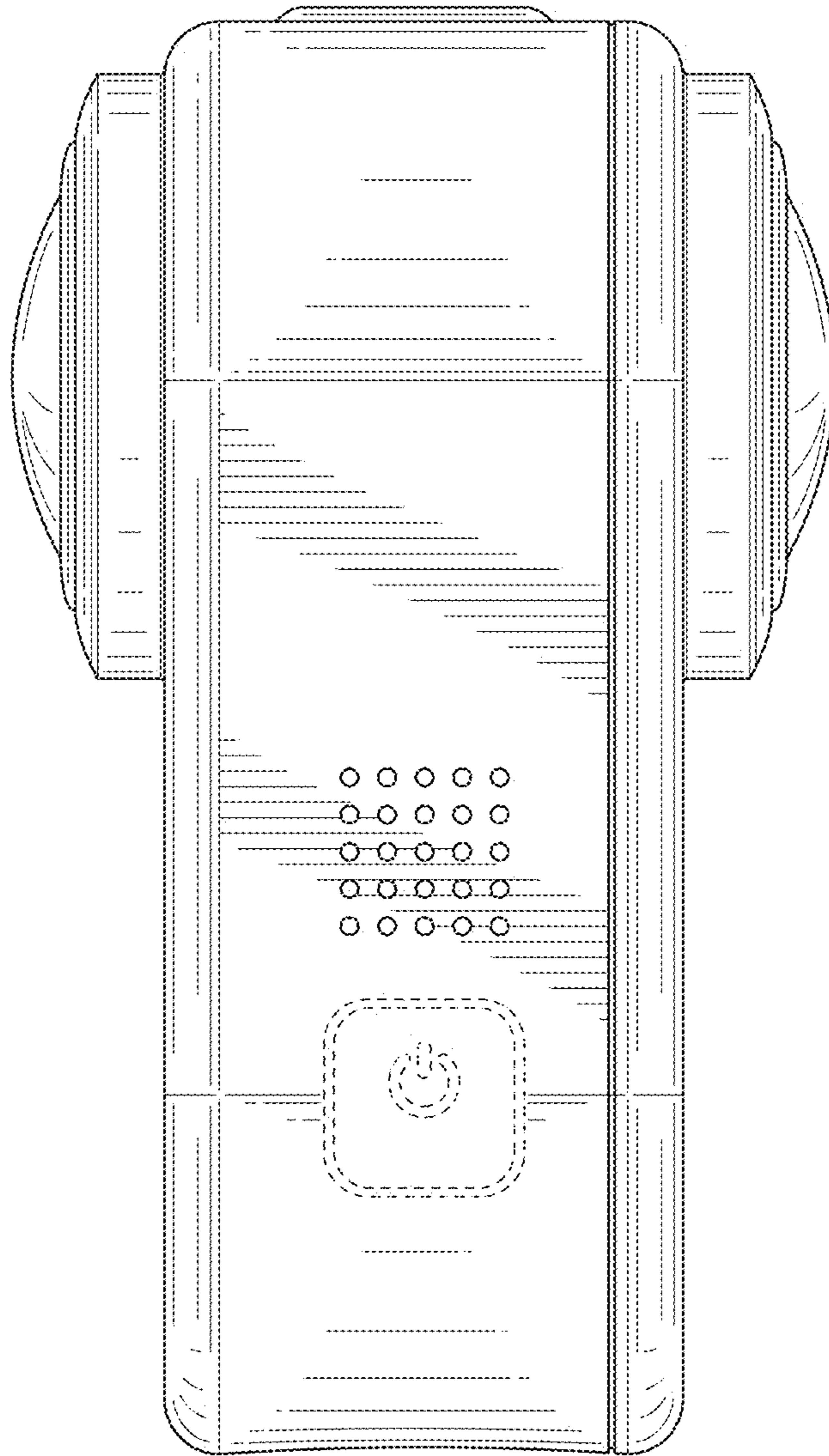


FIG. 5

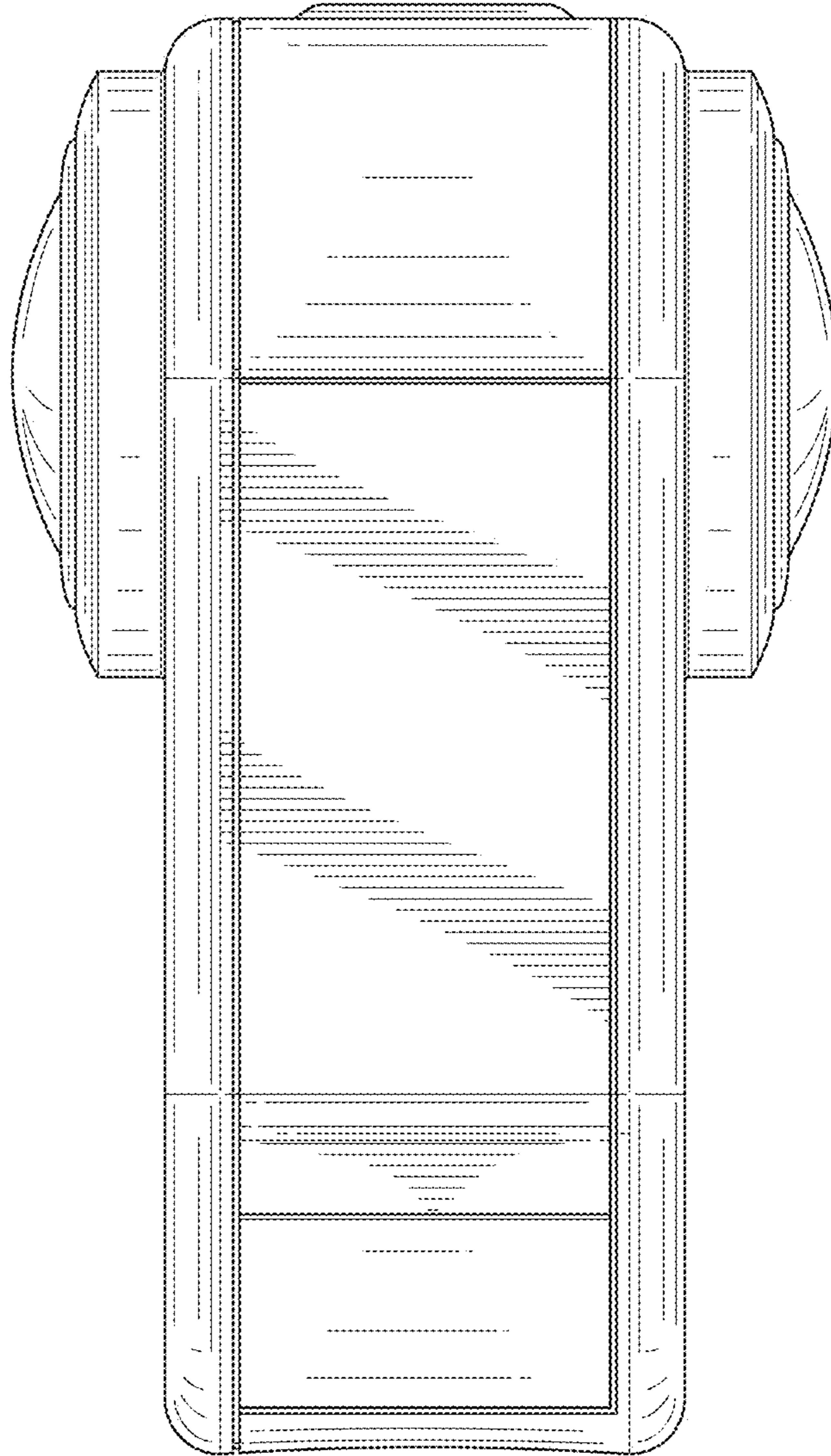


FIG. 6

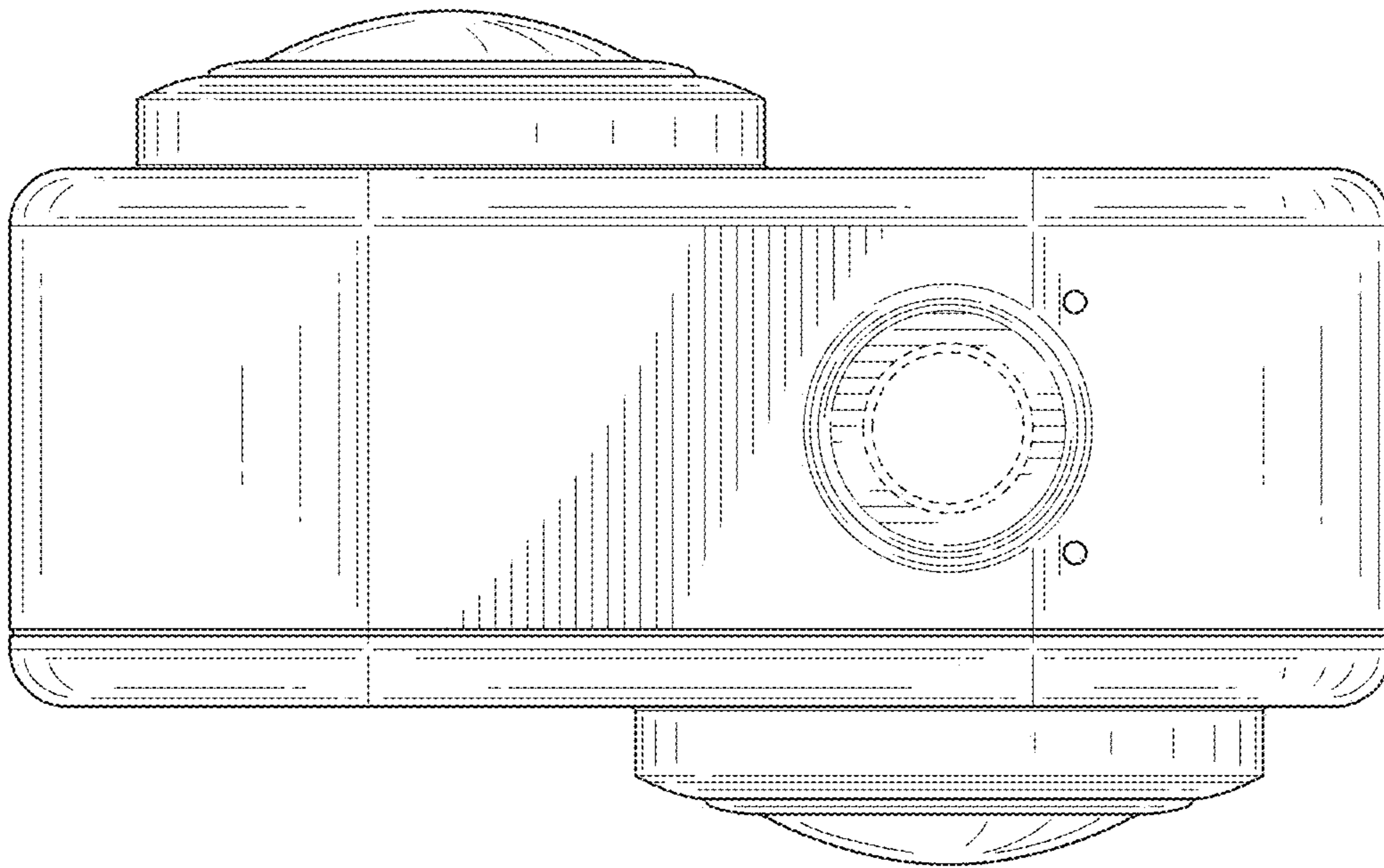


FIG. 7

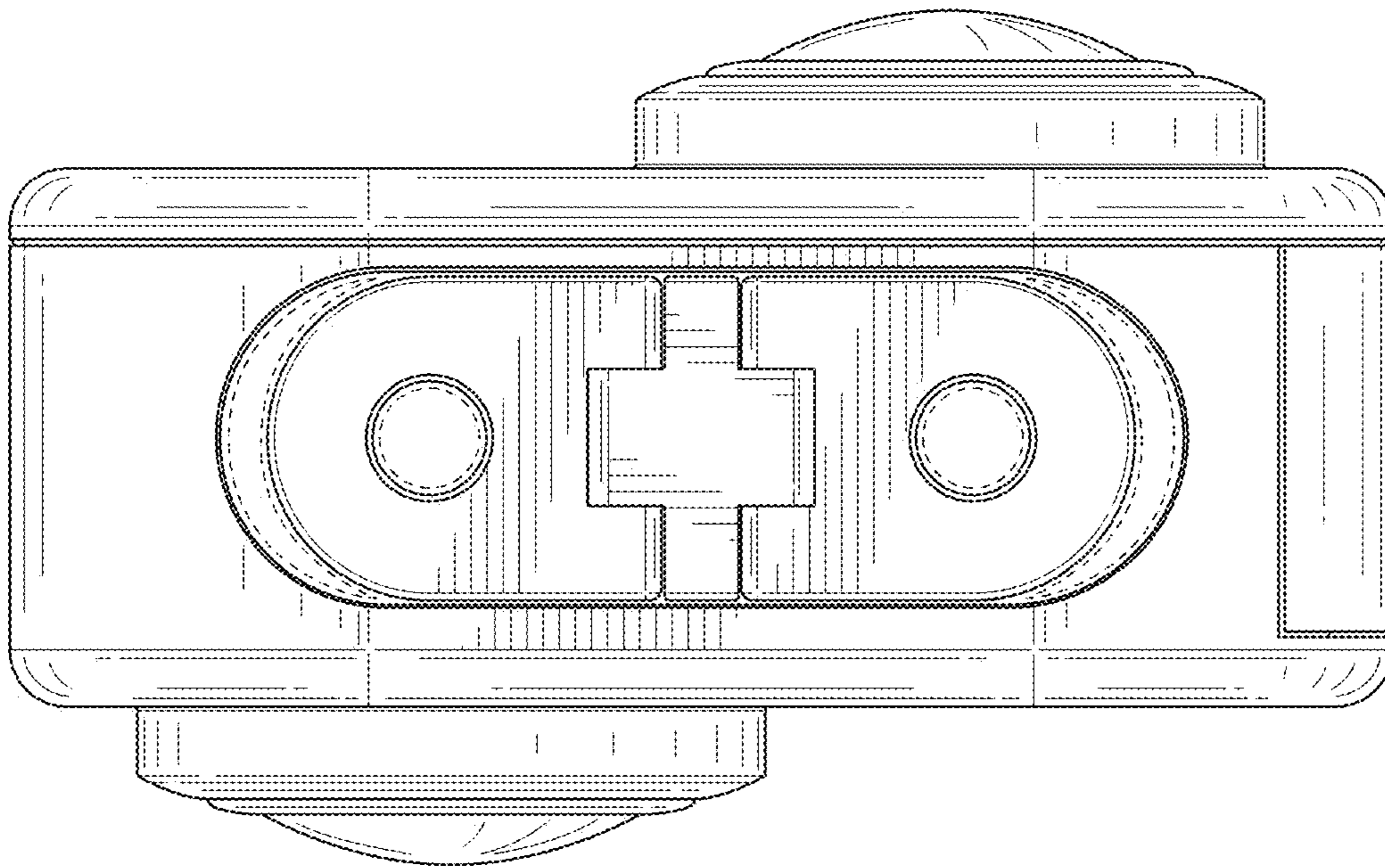


FIG. 8