



US00D907678S

(12) **United States Design Patent** (10) **Patent No.:** **US D907,678 S**  
**Cai** (45) **Date of Patent:** **\*\* Jan. 12, 2021**

(54) **AUTOMATIC GUIDED TRANSPORT VEHICLE**

(71) Applicant: **Hangzhou Hikrobot Technology Co., Ltd.**, Hangzhou (CN)

(72) Inventor: **Chong Cai**, Hangzhou (CN)

(73) Assignee: **Hangzhou Hikrobot Technology Co., Ltd.**, Hangzhou (CN)

(\*\*) Term: **15 Years**

(21) Appl. No.: **29/678,612**

(22) Filed: **Jan. 30, 2019**

(30) **Foreign Application Priority Data**

Aug. 21, 2018 (CN) ..... 2018 3 0464777

(51) **LOC (13) Cl.** ..... **15-99**

(52) **U.S. Cl.**  
USPC ..... **D15/199**

(58) **Field of Classification Search**  
USPC ..... D12/1, 4, 14, 16.1; D15/28, 199;  
D34/12, 23, 28, 34

(Continued)

(56) **References Cited**

**U.S. PATENT DOCUMENTS**

4,763,910 A \* 8/1988 Brandli ..... B60B 33/0042  
280/29

4,778,024 A \* 10/1988 Matsumoto ..... B62D 1/28  
180/167

(Continued)

**FOREIGN PATENT DOCUMENTS**

CA 175019 S 7/2018  
CN 303646989 S 4/2016  
JP 1590564 S 11/2017

**OTHER PUBLICATIONS**

Future of Work Automation—Medium, medium.com [online]. Published on or before Sep. 9, 2019, [retrieved on Jun. 19, 2020].

Retrieved from the Internet: <URL:https://medium.com/@msjulieho/future-of-work-automation-amazons-warehouses-robots-machines-51338419c89d> (Year: 2019).\*

*Primary Examiner* — Michael A. Pratt

*Assistant Examiner* — Adam C Mager

(74) *Attorney, Agent, or Firm* — Clements Bernard Walker; Lawrence A. Baratta, Jr.

(57) **CLAIM**

The ornamental design for an automatic guided transport vehicle, as shown and described.

**DESCRIPTION**

The file of this patent contains at least one drawing/photograph executed in color. Copies of this patent with color drawing(s)/photograph(s) will be provided by the Office upon request and payment of the necessary fee.

FIG. 1 is a front view of an automatic guided transport vehicle according to a first embodiment of our new design; FIG. 2 is a back view of the automatic guided transport vehicle shown in FIG. 1;

FIG. 3 is a left view of the automatic guided transport vehicle shown in FIG. 1;

FIG. 4 is a right view of the automatic guided transport vehicle shown in FIG. 1;

FIG. 5 is a top view of the automatic guided transport vehicle shown in FIG. 1;

FIG. 6 is a perspective view of the automatic guided transport vehicle shown in FIG. 1;

FIG. 7 is another perspective view of the automatic guided transport vehicle shown in FIG. 1;

FIG. 8 is a reference view of the automatic guided transport vehicle shown in FIG. 1 in use;

FIG. 9 is another reference view of the automatic guided transport vehicle shown in FIG. 1 in use;

FIG. 10 is a front view of an automatic guided transport vehicle according to a second embodiment of our new design;

FIG. 11 is a back view of the automatic guided transport vehicle shown in FIG. 10;

FIG. 12 is a left view of the automatic guided transport vehicle shown in FIG. 10;

(Continued)



FIG. 13 is a right view of the automatic guided transport vehicle shown in FIG. 10;

FIG. 14 is a top view the automatic guided transport vehicle shown in FIG. 10;

FIG. 15 is a perspective view of the automatic guided transport vehicle shown in FIG. 10;

FIG. 16 is another perspective view of the automatic guided transport vehicle shown in FIG. 10;

FIG. 17 is a reference view of the automatic guided transport vehicle shown in FIG. 10 in use; and,

FIG. 18 is another reference view of the automatic guided transport vehicle shown in FIG. 10 in use.

**1 Claim, 8 Drawing Sheets  
(4 of 8 Drawing Sheet(s) Filed in Color)**

(58) **Field of Classification Search**

CPC ..... B60P 1/6427; B64F 1/32; B62M 1/00;  
B60W 10/105; B60W 10/14; B60W  
10/119; A01D 34/008; B66C 17/20;

B60K 2031/0025; B60K 31/0008; B60K  
2031/0016; B60K 7/0007

See application file for complete search history.

(56)

**References Cited**

U.S. PATENT DOCUMENTS

D810,799	S	*	2/2018	Sokuza .....	D15/199
D812,663	S	*	3/2018	Waters .....	D15/199
D826,508	S	*	8/2018	Cacioppo .....	D34/12
10,239,544	B1	*	3/2019	DeMartine .....	B61L 27/0005
D863,387	S	*	10/2019	Wang .....	D15/199
D864,270	S	*	10/2019	Hu .....	D15/199
D865,021	S	*	10/2019	Hu .....	D15/199
D871,475	S	*	12/2019	Kolb .....	D15/199
D871,477	S	*	12/2019	Kolb .....	D15/199
D871,478	S	*	12/2019	Wang .....	D15/199
D879,851	S	*	3/2020	Li .....	D15/199
D879,852	S	*	3/2020	Chen .....	D15/199
2010/0312390	A1	*	12/2010	Dupourque .....	B25J 5/007 700/253
2016/0231751	A1	*	8/2016	Mecklinger .....	B60P 1/02
2018/0072212	A1	*	3/2018	Alfaro .....	B60P 1/52
2019/0064845	A1	*	2/2019	Pardasani .....	G05D 1/0088

\* cited by examiner

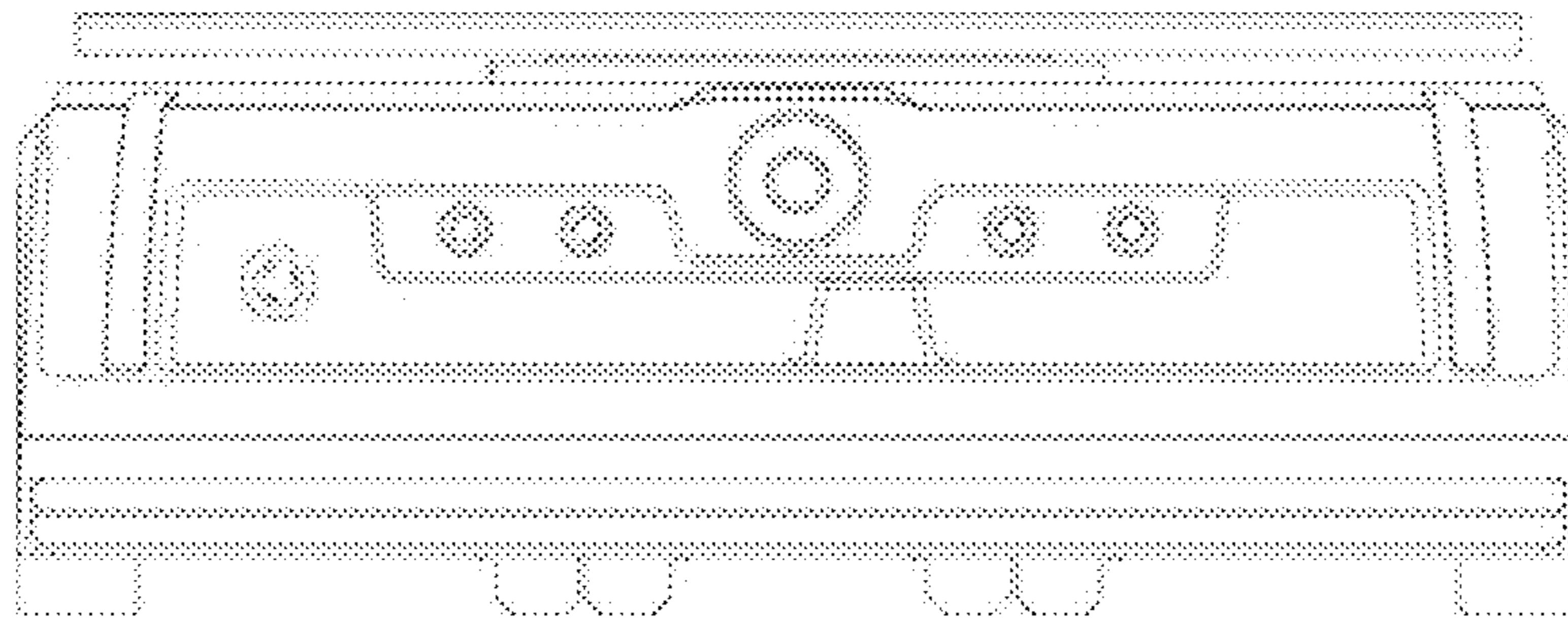


FIG. 1

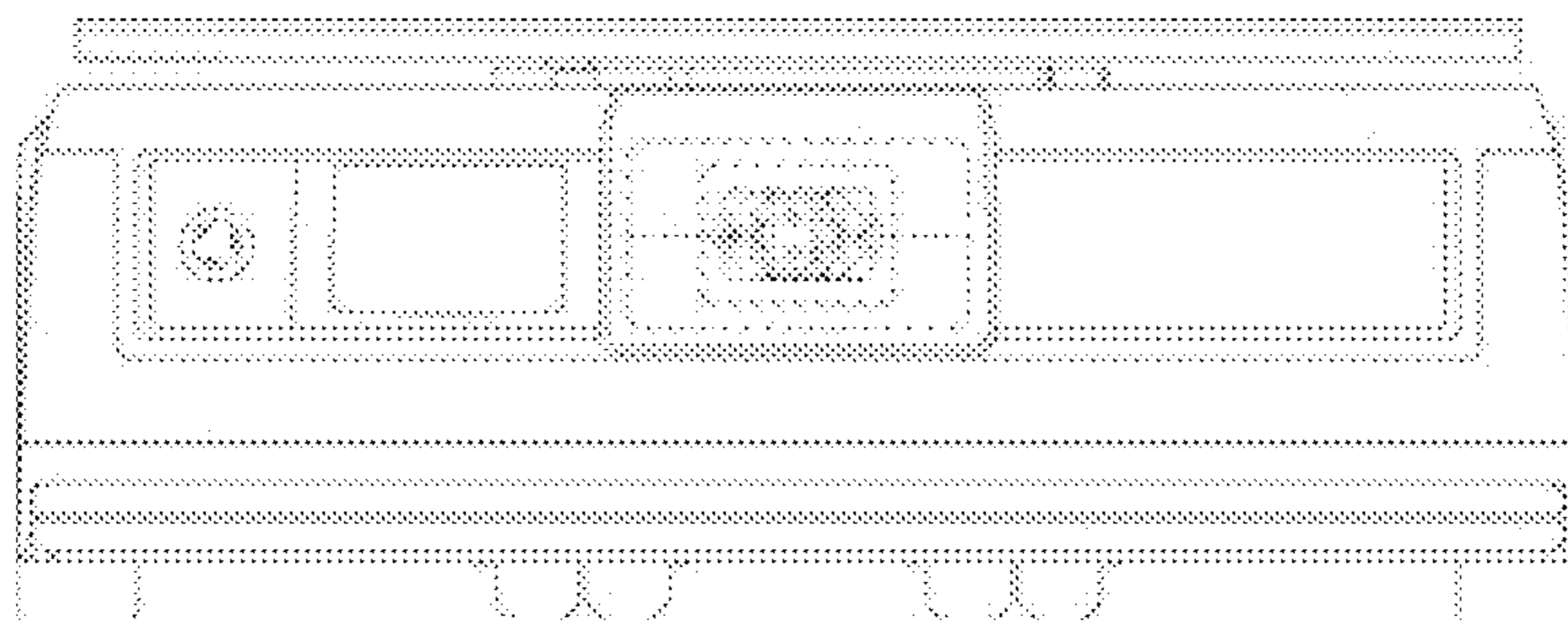


FIG. 2

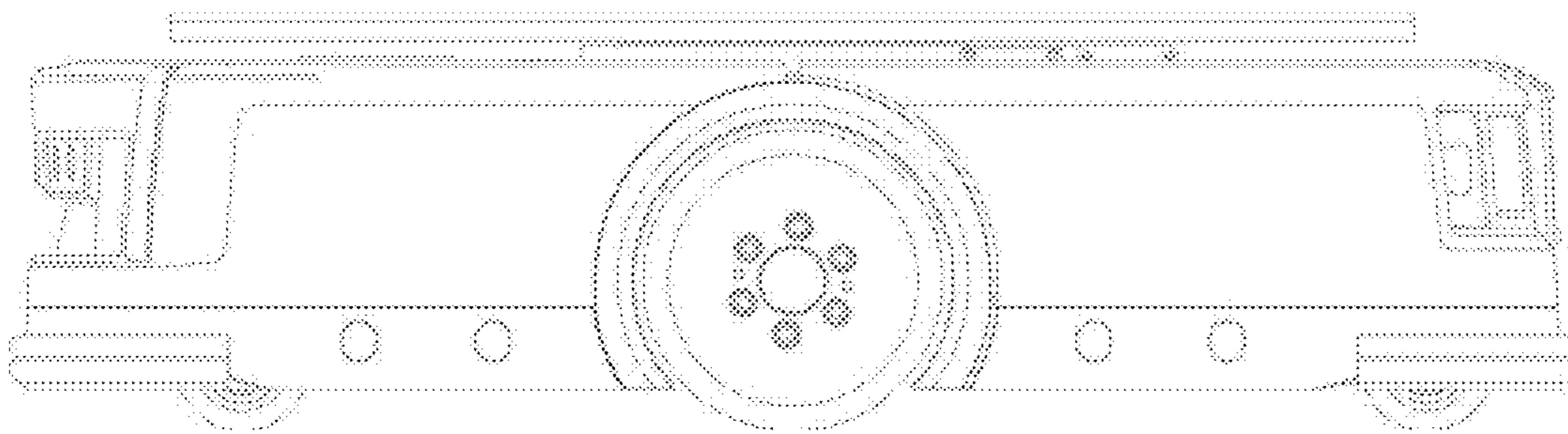


FIG. 3

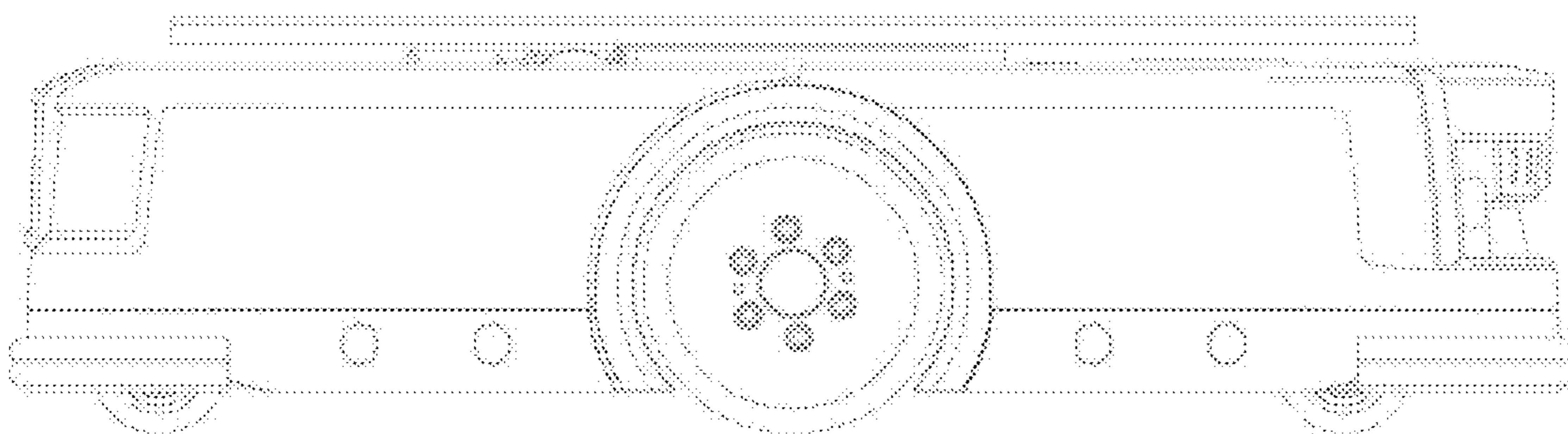


FIG. 4

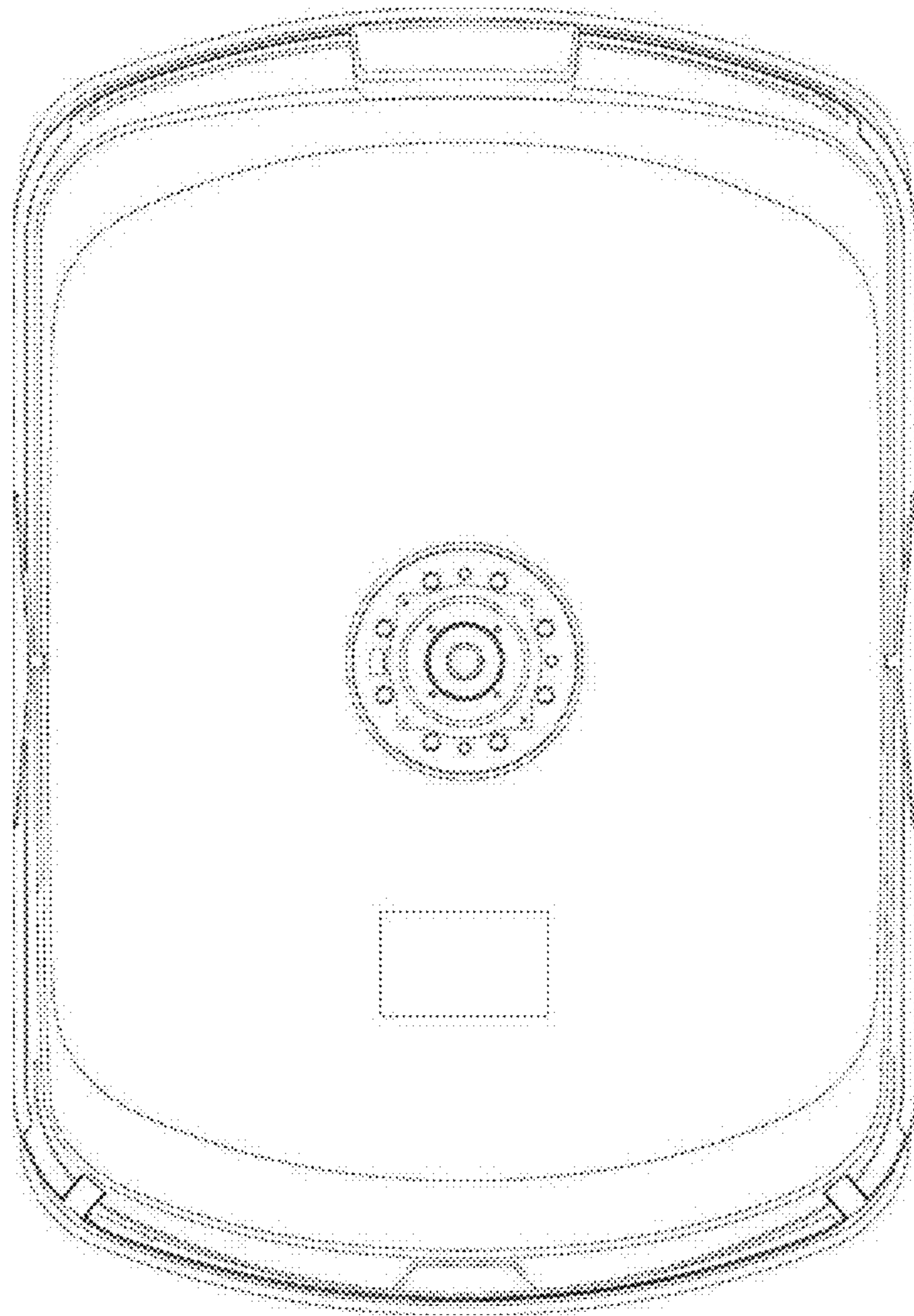


FIG. 5

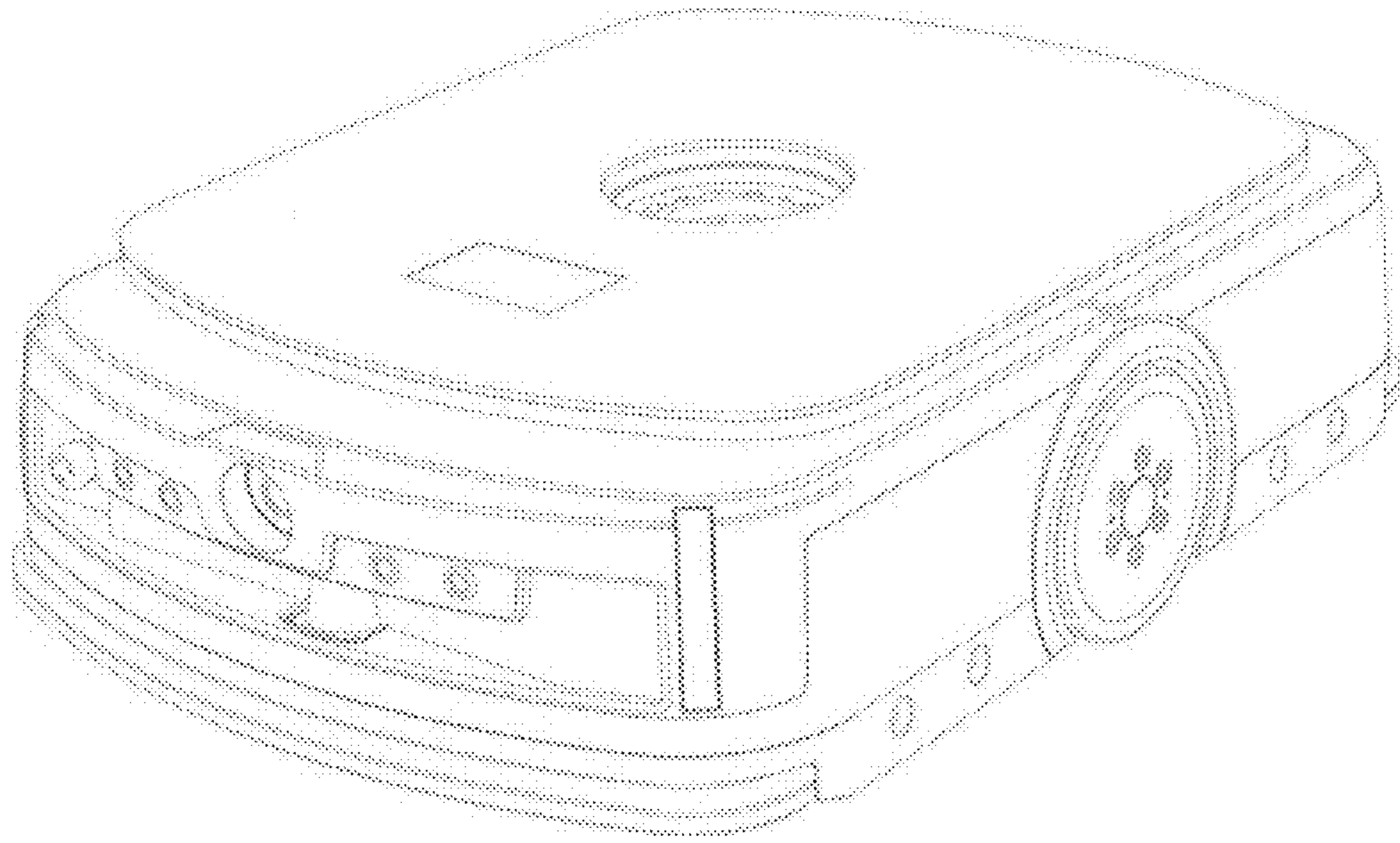


FIG. 6

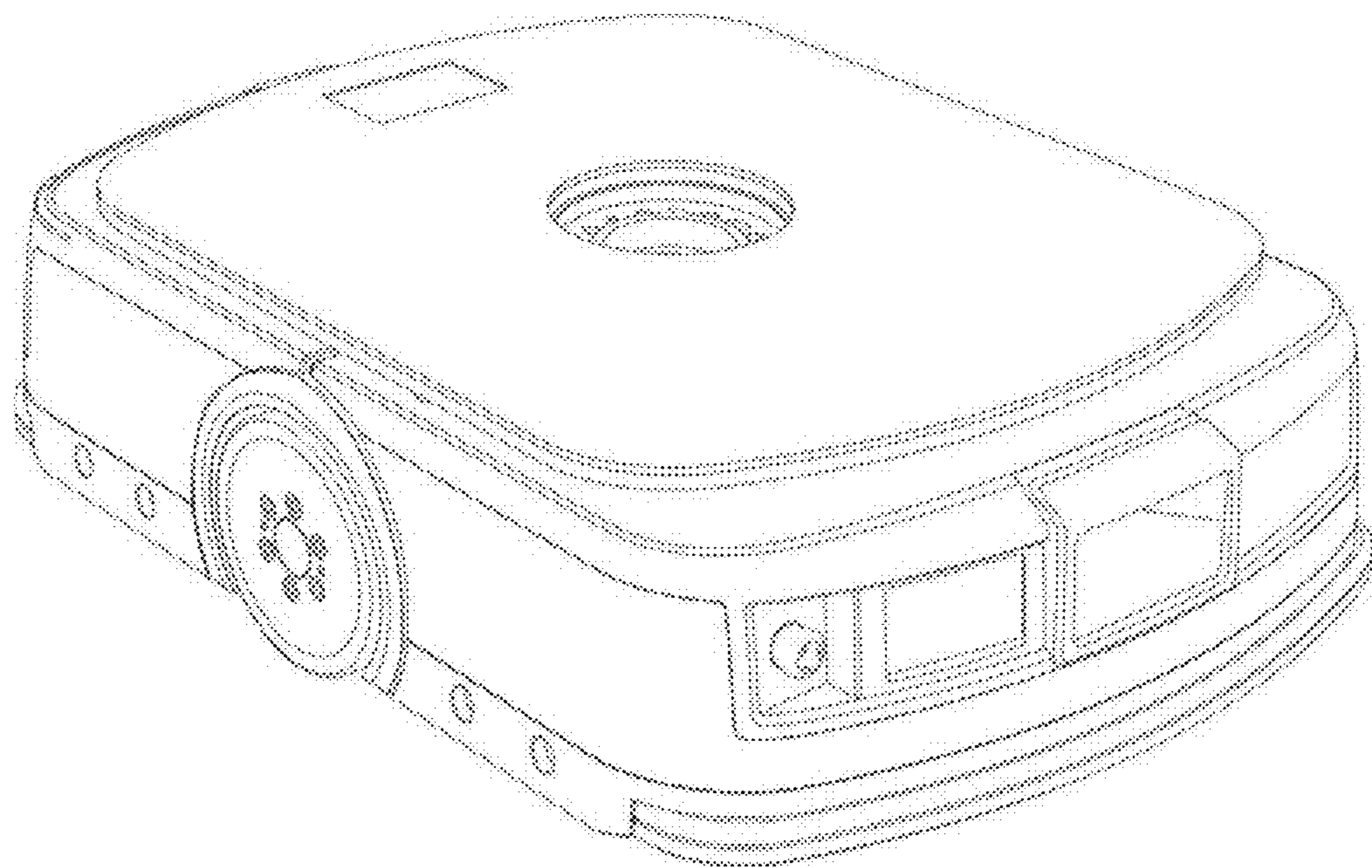


FIG. 7

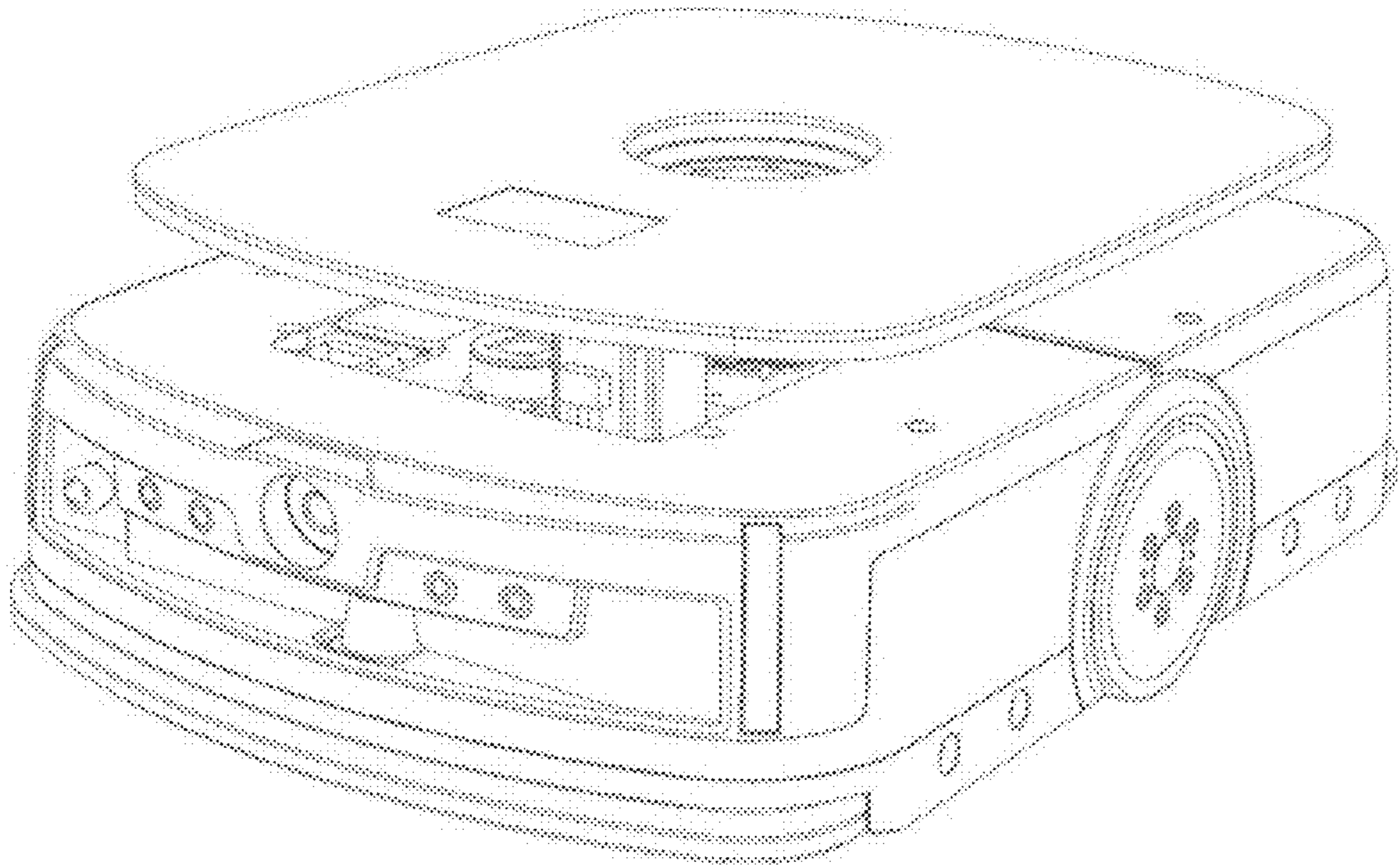


FIG. 8

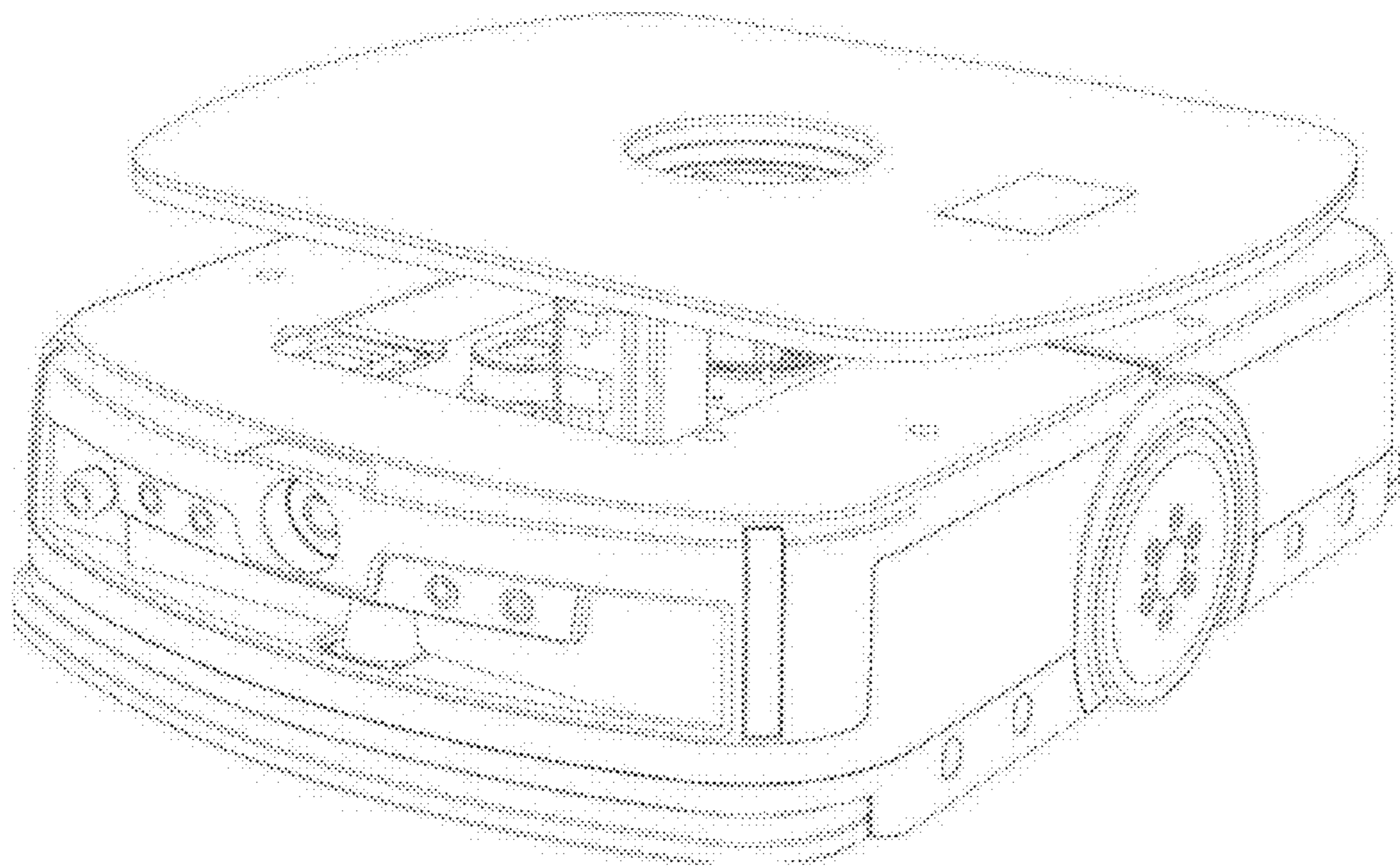


FIG. 9

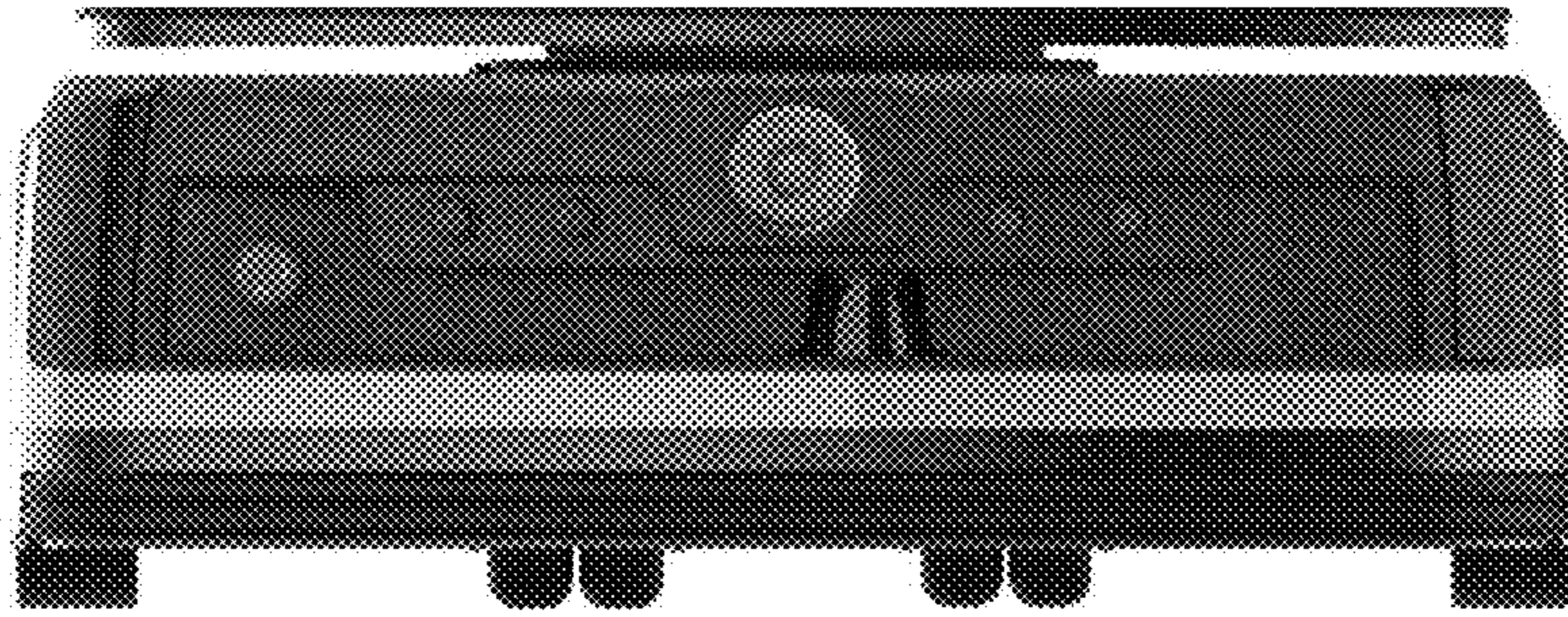


FIG. 10

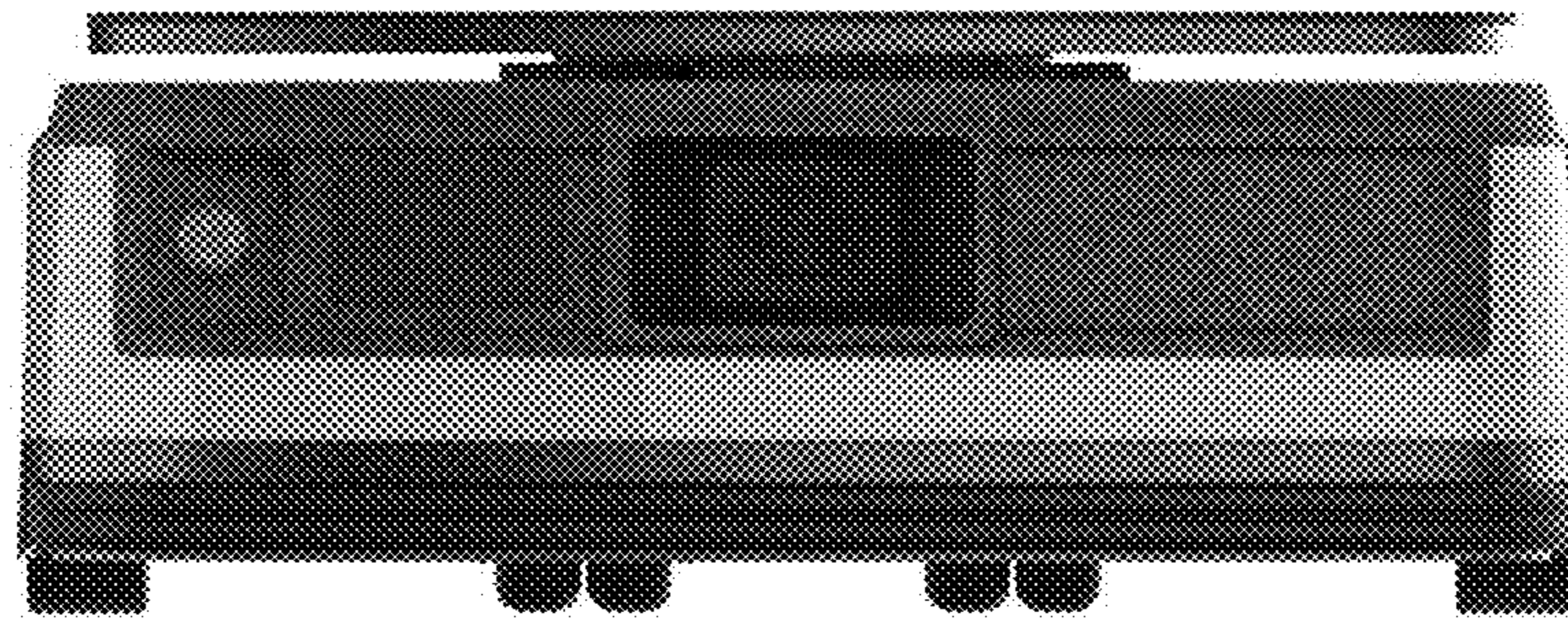


FIG. 11

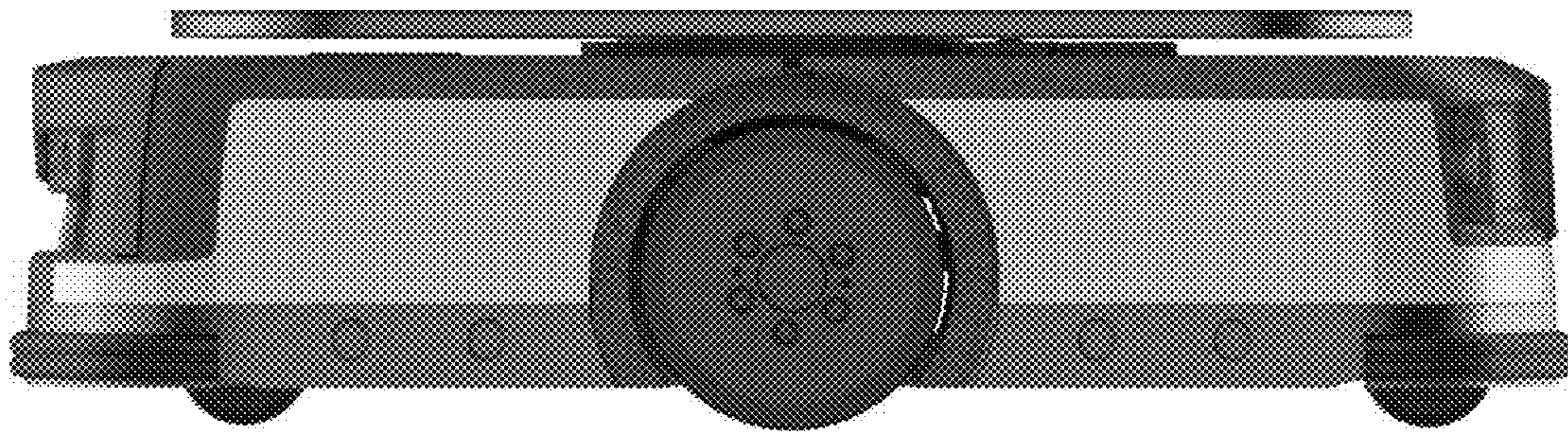


FIG. 12

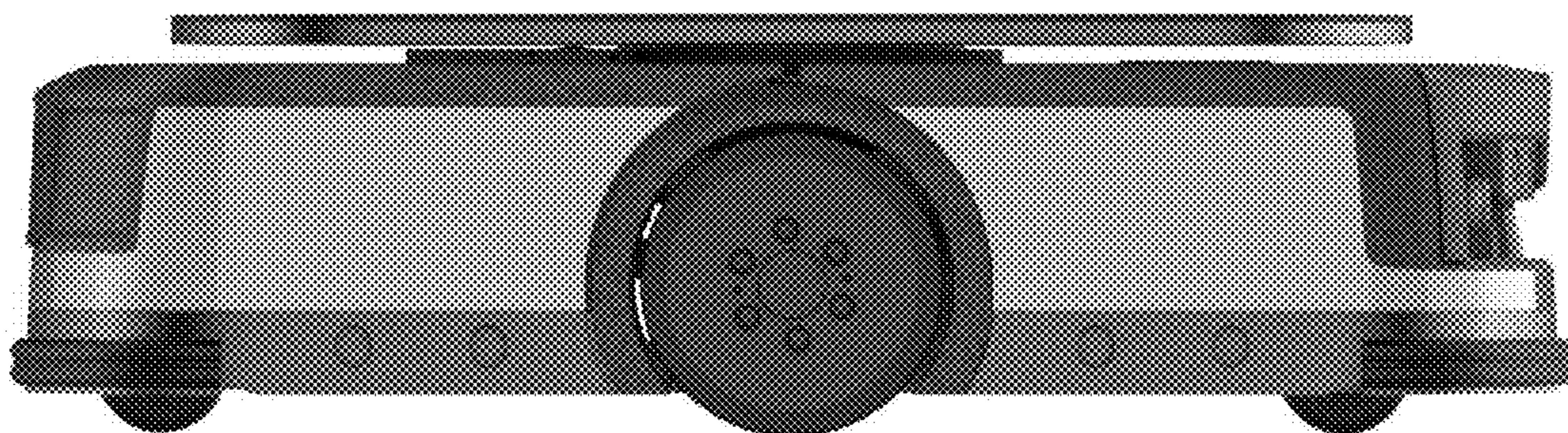


FIG. 13



FIG. 14



FIG. 15





FIG. 16



FIG. 17



FIG. 18