



US00D907677S

(12) **United States Design Patent**  
**Mork et al.**

(10) **Patent No.:** **US D907,677 S**  
(45) **Date of Patent:** **\*\* Jan. 12, 2021**

(54) **MOBILE ROBOT**  
(71) Applicant: **Mobile Industrial Robots A/S**, Odense SØ (DK)  
(72) Inventors: **Lars Mork**, Odense SØ (DK); **Niels Jul Jacobsen**, Odense SØ (DK)  
(73) Assignee: **Mobile Industrial Robots A/S**, Odense SØ (DK)

8,794,367 B2 \* 8/2014 Chung ..... G01S 7/4814  
180/167  
8,843,245 B2 \* 9/2014 Choe ..... G05D 1/0246  
701/2  
D722,631 S \* 2/2015 Stone ..... D12/1  
9,606,544 B2 3/2017 Gariepy et al.  
9,663,025 B2 5/2017 Drexler et al.  
D810,799 S \* 2/2018 Sokuza ..... D15/199  
9,891,630 B2 2/2018 Gariepy et al.

(Continued)

**FOREIGN PATENT DOCUMENTS**

WO WO-2016/165721 A1 10/2016

**OTHER PUBLICATIONS**

U.S. Appl. Nos. 29/669,051, 16/009,414, and 16/025,483.

(Continued)

*Primary Examiner* — Patricia A Palasik

(74) *Attorney, Agent, or Firm* — Burns & Levinson LLP

(\*\*) Term: **15 Years**  
(21) Appl. No.: **29/669,055**  
(22) Filed: **Nov. 5, 2018**

(30) **Foreign Application Priority Data**

Jun. 15, 2018 (CN) ..... 2018 3 0310015  
Jun. 15, 2018 (EM) ..... 005313228

(51) **LOC (13) Cl.** ..... **15-99**  
(52) **U.S. Cl.**  
USPC ..... **D15/199**

(58) **Field of Classification Search**  
USPC ..... D15/199; D21/578–583, 621, 622;  
D32/21; D34/34  
CPC ..... B23K 9/133; B23K 9/287; B25J 9/0018;  
B25J 19/0025; Y10T 74/20; Y10T  
74/20207; Y10T 74/20311; Y10T  
74/20305; Y10S 901/01  
See application file for complete search history.

(56) **References Cited**

**U.S. PATENT DOCUMENTS**

4,137,984 A \* 2/1979 Jennings ..... B62D 1/28  
180/168  
5,127,486 A \* 7/1992 Yardley ..... B62D 1/28  
180/168  
5,983,161 A 11/1999 Lemelson et al.  
D548,902 S \* 8/2007 Chun ..... D32/21

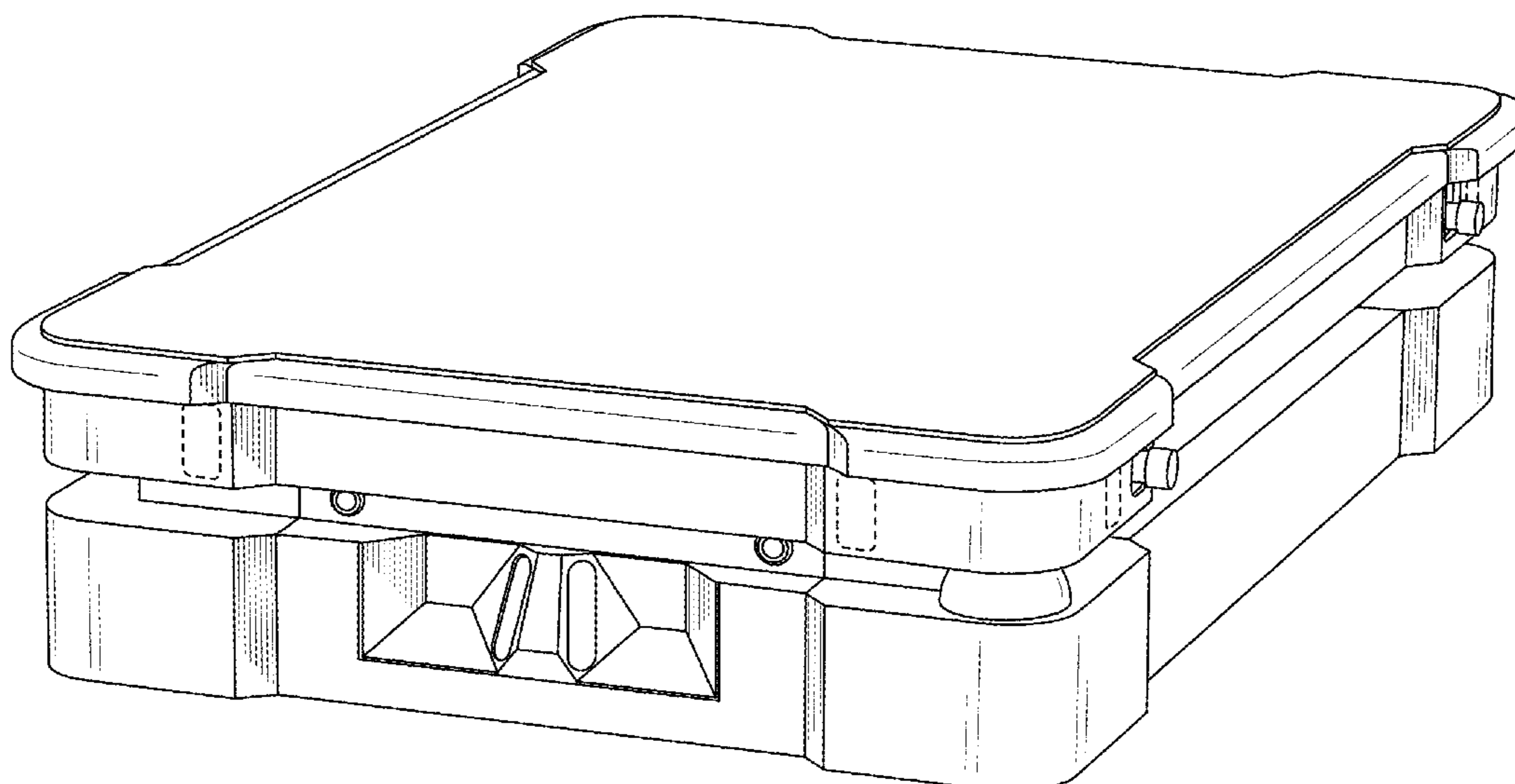
(57) **CLAIM**

The ornamental design for a mobile robot, as shown and described.

**DESCRIPTION**

FIG. 1 is a perspective view of a mobile robot from above the mobile robot;  
FIG. 2 is a perspective view of the mobile robot from below the mobile robot;  
FIG. 3 is a front view of the mobile robot;  
FIG. 4 is a back view of the mobile robot;  
FIG. 5 is a left side view of the mobile robot;  
FIG. 6 is a right side view of the mobile robot;  
FIG. 7 is a plan view of the mobile robot showing a bottom of the mobile robot;  
FIG. 8 is a plan view of the mobile robot showing a top of the mobile robot; and,  
FIG. 9 is a perspective view of a corner of the mobile robot.

**1 Claim, 9 Drawing Sheets**





(56)

References Cited

U.S. PATENT DOCUMENTS

9,918,605	B2	3/2018	Wolfe et al.	
D839,331	S *	1/2019	Nilsson .....	D15/199
D879,852	S *	3/2020	Chen .....	D15/199
2006/0186561	A1 *	8/2006	Song .....	F24F 6/00 261/26
2010/0228394	A1 *	9/2010	Yi .....	G05D 1/0246 700/253
2010/0286825	A1 *	11/2010	Rew .....	A47L 9/009 700/253
2014/0110183	A1	4/2014	Rudakevych et al.	
2014/0129027	A1 *	5/2014	Schnittman .....	G05D 1/0227 700/253
2015/0020326	A1 *	1/2015	Schnittman .....	G05D 1/0242 15/52.1
2015/0197012	A1 *	7/2015	Schnittman .....	G05D 1/027 700/250
2015/0224640	A1 *	8/2015	Vu .....	B25J 19/023 700/259
2016/0103451	A1 *	4/2016	Vicenti .....	A47L 11/4066 700/259
2017/0031366	A1	2/2017	Shamlan et al.	
2017/0038776	A1	2/2017	Garipey et al.	
2017/0080850	A1	3/2017	Drexler et al.	
2017/0197643	A1	7/2017	Garipey et al.	
2017/0232885	A1	8/2017	Drexler et al.	
2018/0099810	A1 *	4/2018	Wu .....	B66F 3/08
2019/0270472	A1 *	9/2019	Akamatsu .....	B62B 5/0093
2019/0332115	A1 *	10/2019	Lim .....	G06T 7/74

OTHER PUBLICATIONS

Blizzard, Classic games, Warcraft: Orcs & Humans (1994). [Online]. Available: <http://us.blizzard.com/en-us/games/legacy/> [Last accessed Dec. 26, 2017].

Cire2047, Warcraft: Orcs and Humans—Human Campaign Gameplay—Part 01, 1994 (Jan. 21, 2009). [Online]. Available: <https://www.youtube.com/watch?v=UnGOuSWs10>. [Last accessed Dec. 26, 2017].

Dixon, J., and Henlich, O., Mobile Robot Navigation, Final Report, Imperial College, London, 27 pages (Jun. 10, 1997). [Online]. Available: [https://www.doc.ic.ac.uk/~nd/surprise\\_97/journal/vol4/jmd/](https://www.doc.ic.ac.uk/~nd/surprise_97/journal/vol4/jmd/). [Accessed Jun. 22, 2017].

Dos Gamers Archive, Warcraft II: Tides of Darkness, 1 page (1995). [Retrieved Online Aug. 15, 2018]. Available: [http://image.dosgamesarchive.com/screenshots/war2\\_06.png](http://image.dosgamesarchive.com/screenshots/war2_06.png).

Expomondo, Expo 2000, Themenpark & Außengelände, Deutschland, Holtmann International, (2000). [Online]. Available: <http://expomondo.it/expo.html>.

ferzkopp.net, 2000. [Retrieved Online Aug. 15, 2018]. Available: <http://www.ferzkopp.net/MediaAndArt/Expo2000/Softwaremodule.gif>.

Lucas Film, Star Wars: New Hope (1977). [Online]. Available: <http://www.tbs.com/movies/star-wars-a-new-hope>. See times: (00:05:07); (00:04:43); (00:33:34).

Lucas Film, Star Wars: The Phantom Menace (1999). [Online]. Available: <http://www.tbs.com/movies/star-wars-the-phantom-menace>. See times: (00:06:32); (00:06:37); (00:49:39); (00:52:33); (01:13:04).

Mobile Industrial Robots ApS, MiR100 Elos Interview (Nov. 25, 2014). [Online]. Available: [https://www.youtube.com/watch?v=C\\_VqXXuVPys](https://www.youtube.com/watch?v=C_VqXXuVPys).

Mobile Industrial Robots ApS, MiR100 Scan Case (English), (Jul. 1, 2015). [Online]. Available: <https://www.youtube.com/watch?v=ogmGsJlimdg>.

Mobile Industrial Robots ApS, MiR100 Wagon Driving (Dec. 9, 2014). [Online]. Available: <https://www.youtube.com/watch?v=iGPBTERoei0>. [Last accessed on Dec. 28, 2017].

Mobile Industrial Robots ApS, MiR100 Wagon Parking (Dec. 9, 2014). [Online]. Available: <https://www.youtube.com/watch?v=A4Vy3HrHoRw>. [Last accessed on Dec. 26, 2017].

MovieClips, Steven Spielberg, Close Encounters of the Third Kind (2/8) Movie Clip—Chasing the UFOs (1977) HD (Oct. 7, 2012). [Online]. Available: <https://www.youtube.com/watch?v=8MW3KJUa8FQ>.

Movieclips, Steven Spielberg, Close Encounters of the Third Kind (6/8) Movie Clip—Communicating with the Mothership (1977) HD (Oct. 7, 2012). [Online]. Available: <https://www.youtube.com/watch?v=S4PYI6TzqYk>.

Nedelea, A., Hyundai's Future Augmented Reality Looks Pretty Cool, 6 pages (Jan. 1, 2015). [Retrieved Online Aug. 15, 2018]. Available: <https://www.carscoops.com/2015/01/hyundais-future-augmented-reality-looks/>.

Omron Adept Technologies Inc, Introducing the Omron LD Mobile Robot (formerly Adept Lynx), Dec. 19, 2014). [Online]. Available: <https://www.youtube.com/watch?v=ZUr6nFtR18>.

Roger Russell, "roger-russell.com," 2004. [Online]. Available: <https://web.archive.org/web/20050404140115/http://www.roger-russell.com/project/project.htm>. [Retrieved Aug. 20, 2018].

Shenton, Collectable Clocks, Illustration 306, Projection Clock/Night Clock (1909). [Online]. Available: <https://web.archive.org/web/20041012014240/http://www.mueller-maerki.com:80/h-niteclk.html>. [Retrieved Aug. 20, 2018].

SpaceX, Falcon 9 First Stage Reentry Footage from Plane (Aug. 14, 2014). [Online]. Available: <https://www.youtube.com/watch?v=ullu7szab51>. [Last accessed on Dec. 26, 2017].

Zentrum für Kunst und Medientechnologie (ZKM), Knowledge, Information, Communication Swarming with robots, Expo 2000 Hannover GmbH (2000). [Online]. Available: [http://site.expo2000.de/expo2000/englisch/themenpark/frame\\_wissen\\_e.html](http://site.expo2000.de/expo2000/englisch/themenpark/frame_wissen_e.html).

Mobile Industrial Robots, MiRFleet, Reference Guide, v.1.0, 32 pages (Jan. 2017).

United States Patent and Trademark Office, U.S. Appl. No. 14/883,698 Notice of Allowance and Fee(s) due, 7 pages (dated Nov. 29, 2011).

Zentrum für Kunst und Medientechnologie (ZKM), Knowledge, Information, Communication Swarming with robots, Expo 2000 Hannover GmbH (2000). [Online]. Available: [http://site.expo2000.de/expo2000/englisch/themenpark/frame\\_wissen\\_e.html](http://site.expo2000.de/expo2000/englisch/themenpark/frame_wissen_e.html).

Chinese Design Application No. 201830310015.7 Documents as filed, 13 pages (Jun. 15, 2018).

Chinese Design Application No. 201830310015.7 Filing Receipt, 2 pages (Jun. 15, 2018).

European Design Application No. 005313228-0001 Certificate of Registration, 9 pages (Jun. 15, 2018).

European Design Application No. 005313228-0001 Filing Receipt, 8 pages (Jun. 15, 2018).

European Design Application No. 005313228-0002 Certificate of Registration, 9 pages (Jun. 15, 2018).

MIR Fleet Reference Guide. Mobile Industrial Robots A/S. Odense, SØ. (Jan. 2017), V, 1.0, (pp. 1-30). 32 pages.

MIR 500 User Guide. Mobile Industrial Robots A/S. Odense, SØ. (Sep. 2019). V. 1.3, (pp. 1-100). 100 pages.

MIR 100 User Guide. Mobile industrial Robots A/S. Odense, SØ. (Aug. 2018). V. 1.1, (pp. 1-42). 44 pages.

MIR 100 User Guide. Mobile industrial Robots A/S. Odense, SØ. (Nov. 2017). V, 1.0, (pp. 1-37), 39 pages.

\* cited by examiner

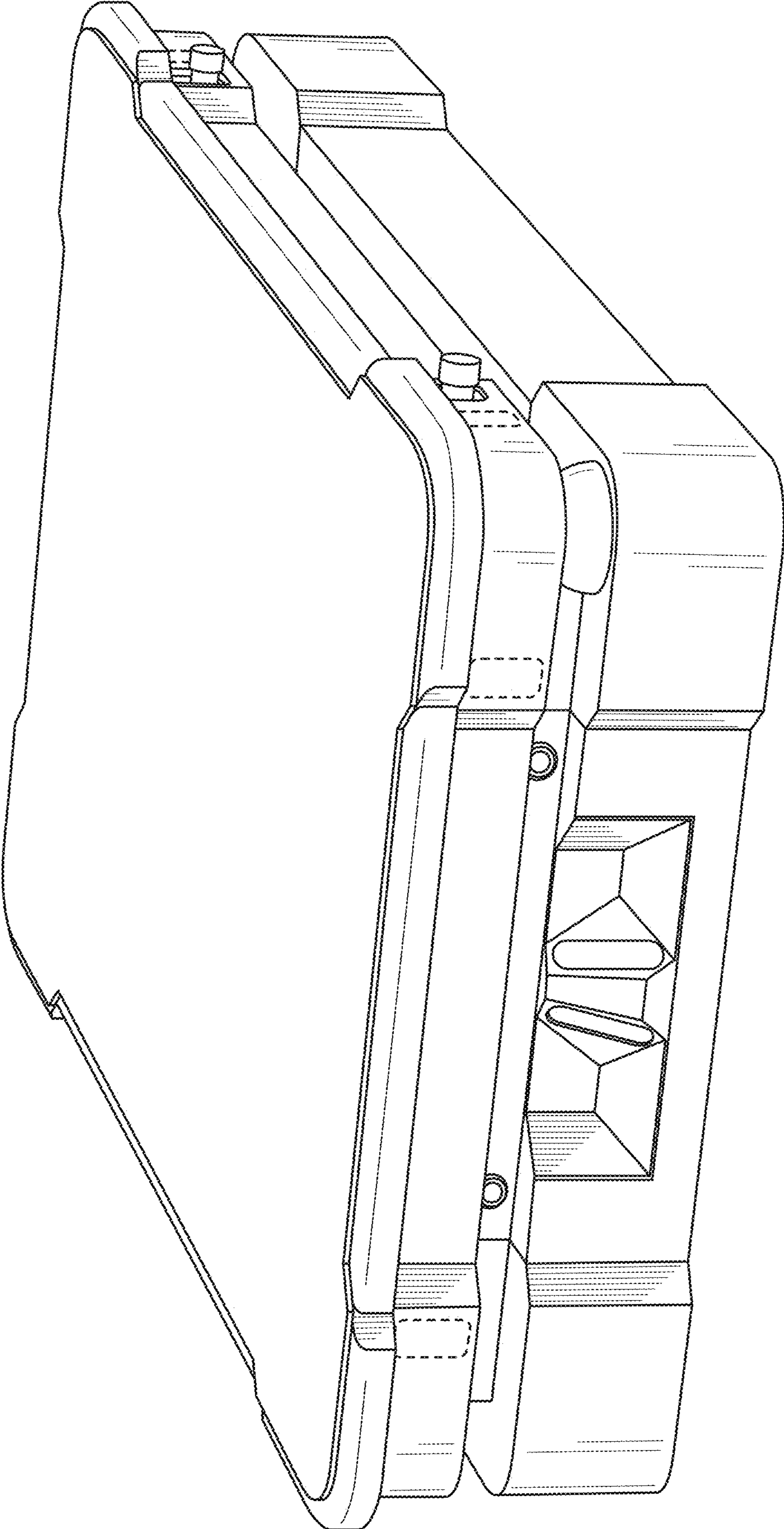


FIG. 1



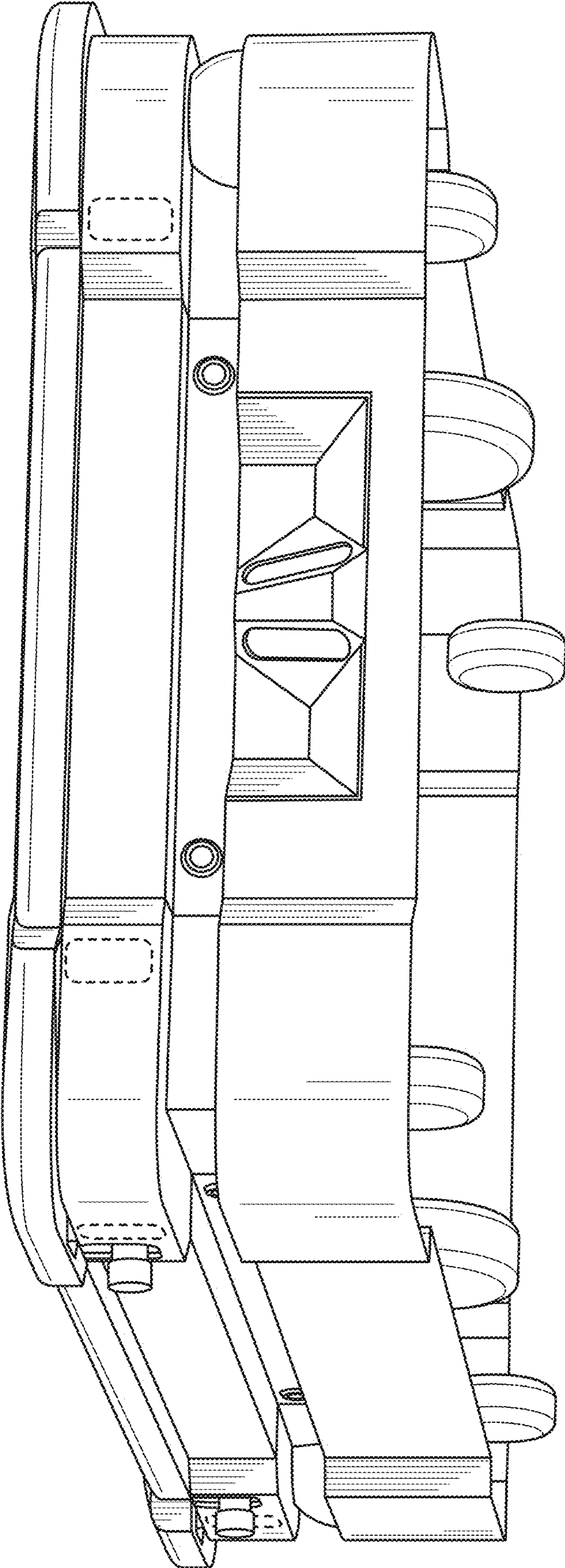


FIG. 2

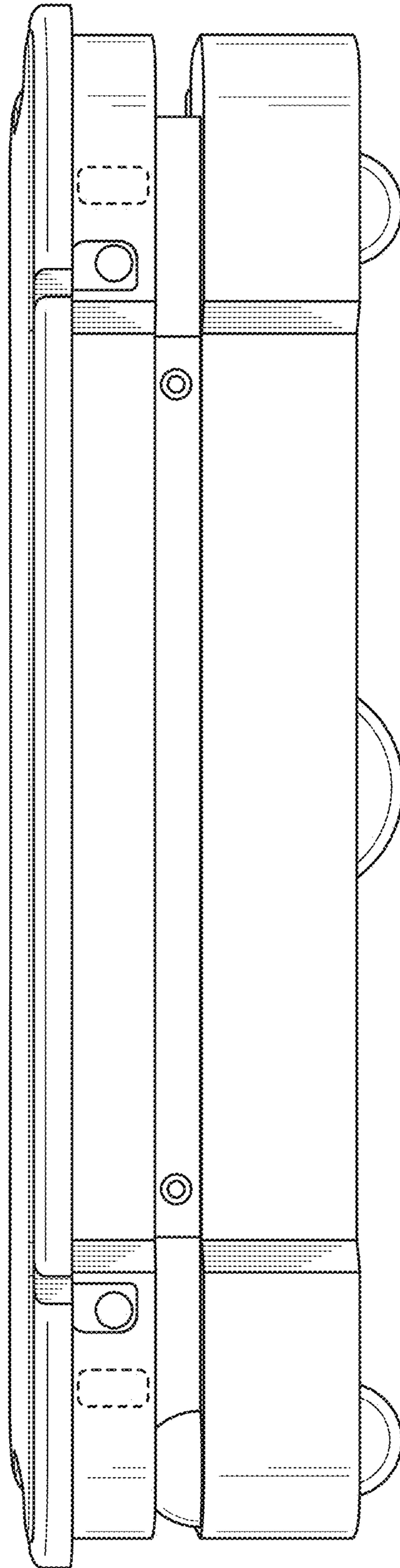


FIG. 3

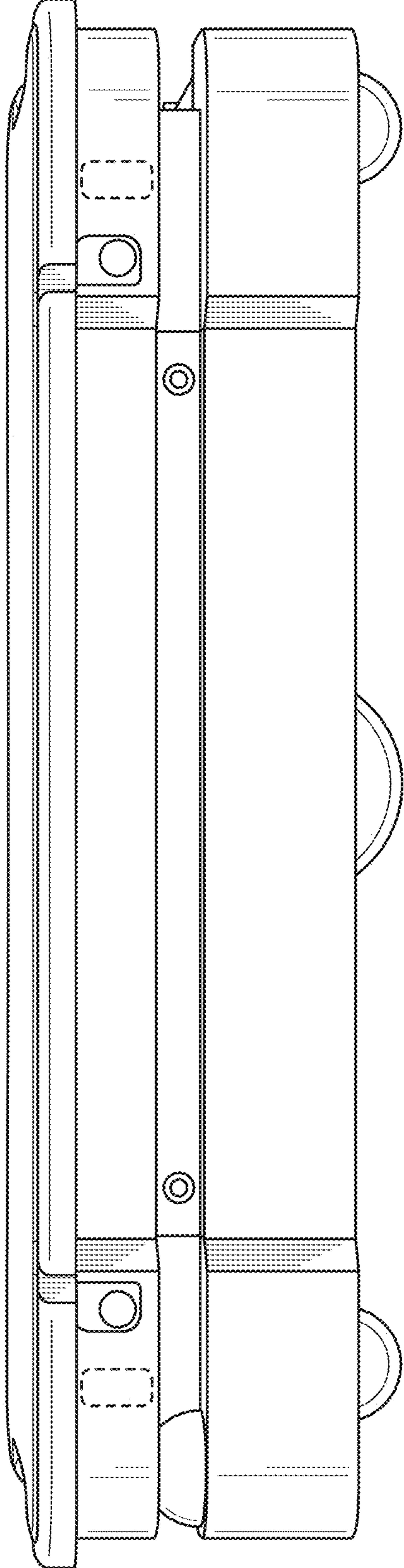


FIG. 4

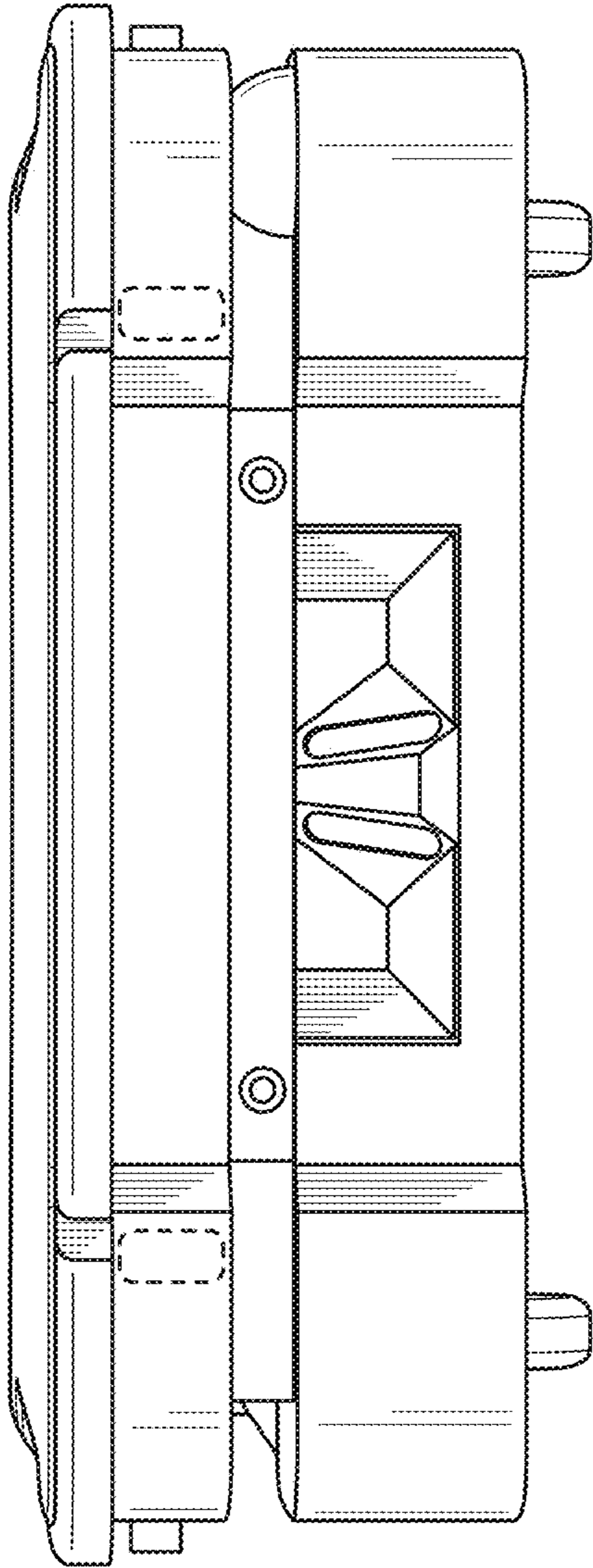


FIG. 5

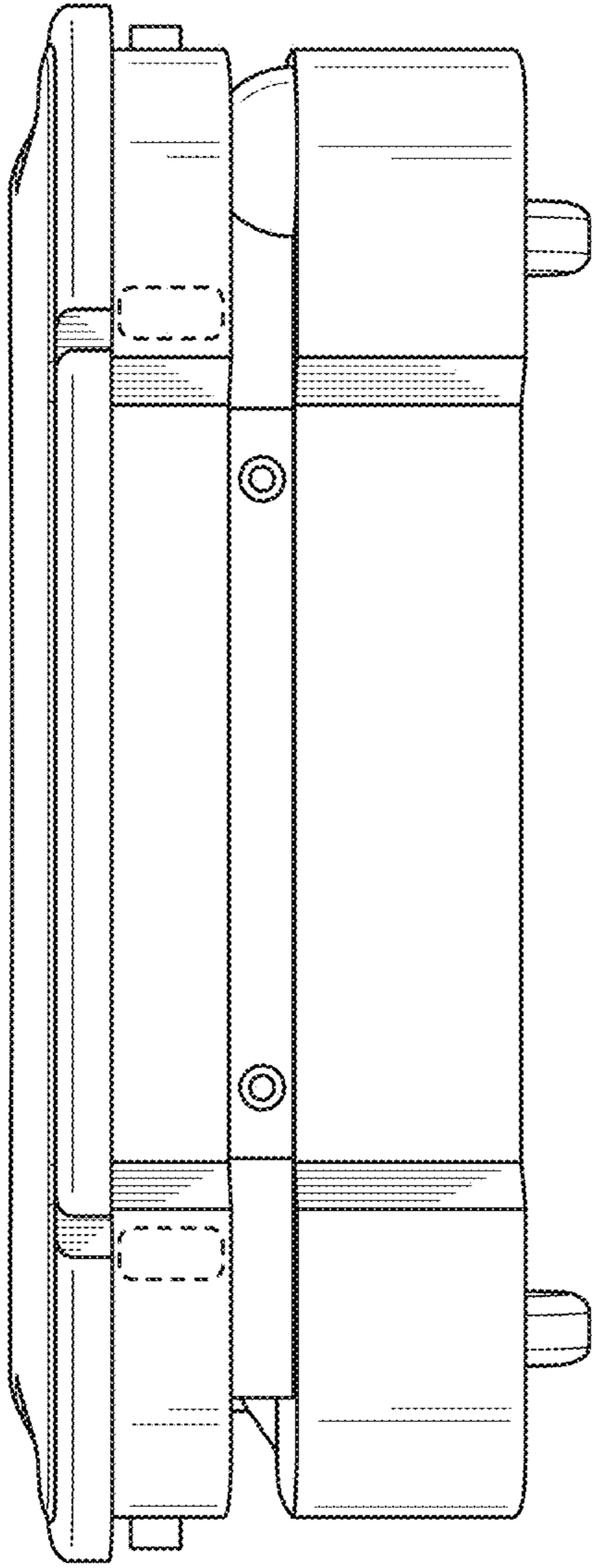


FIG. 6



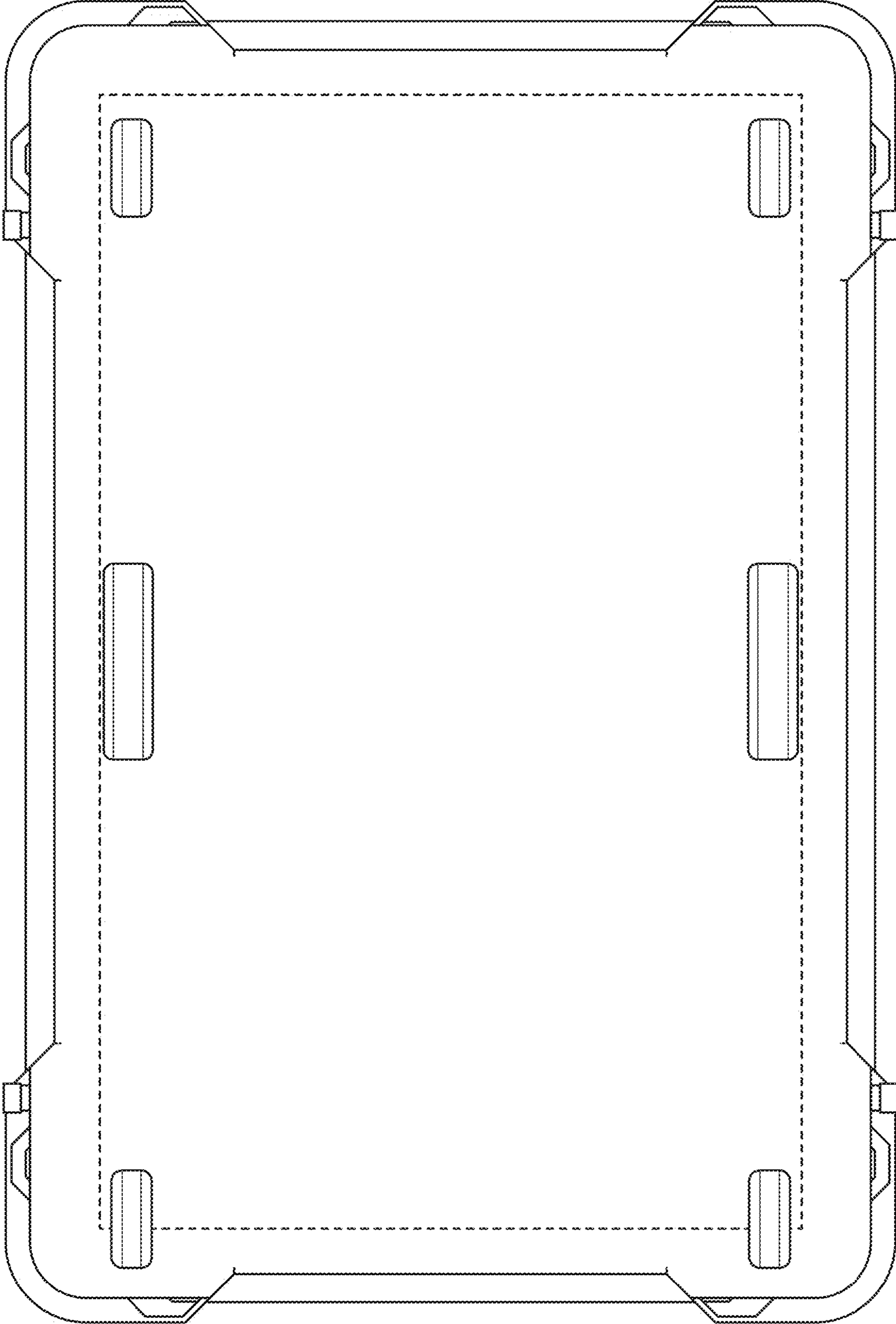


FIG. 7

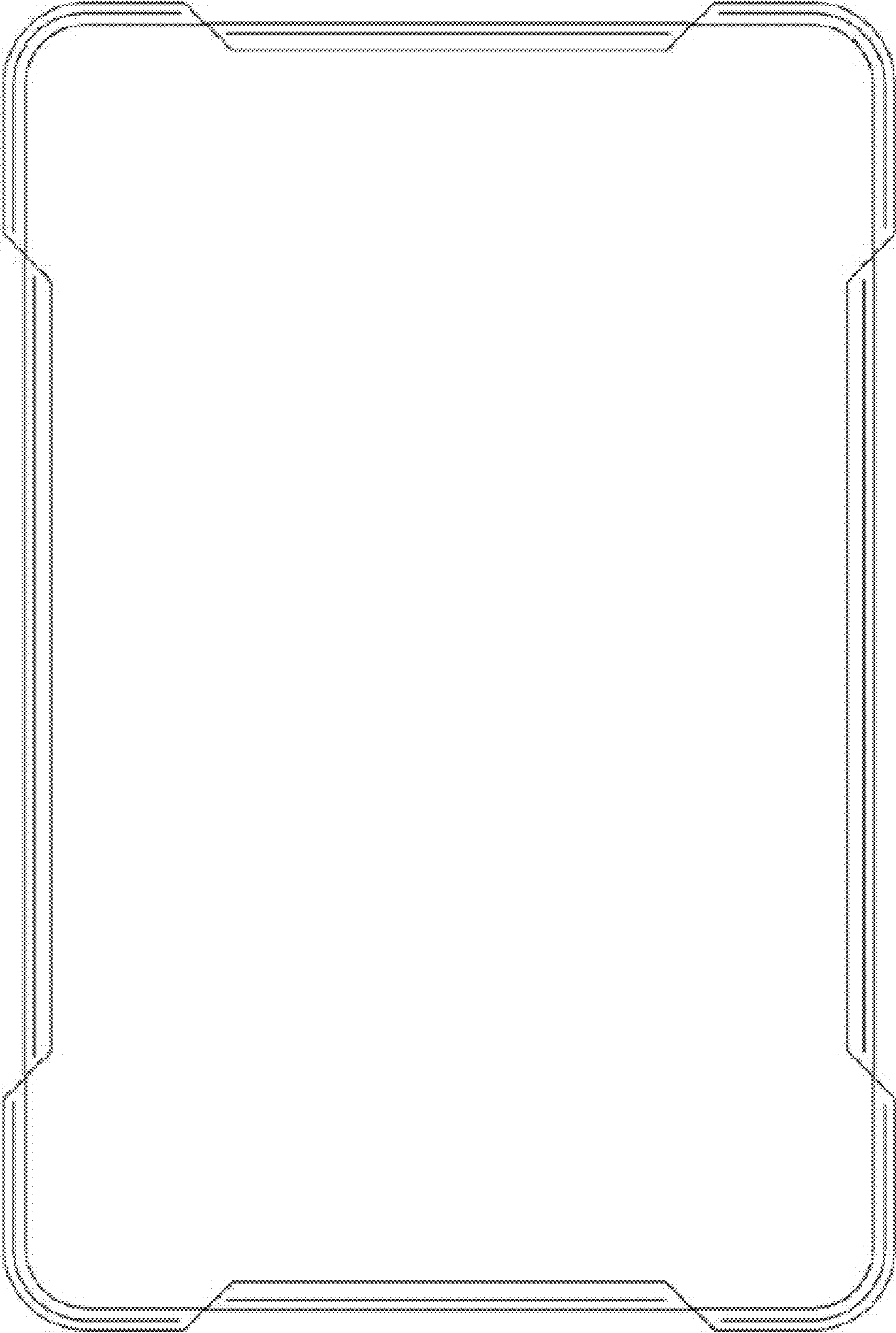


FIG. 8

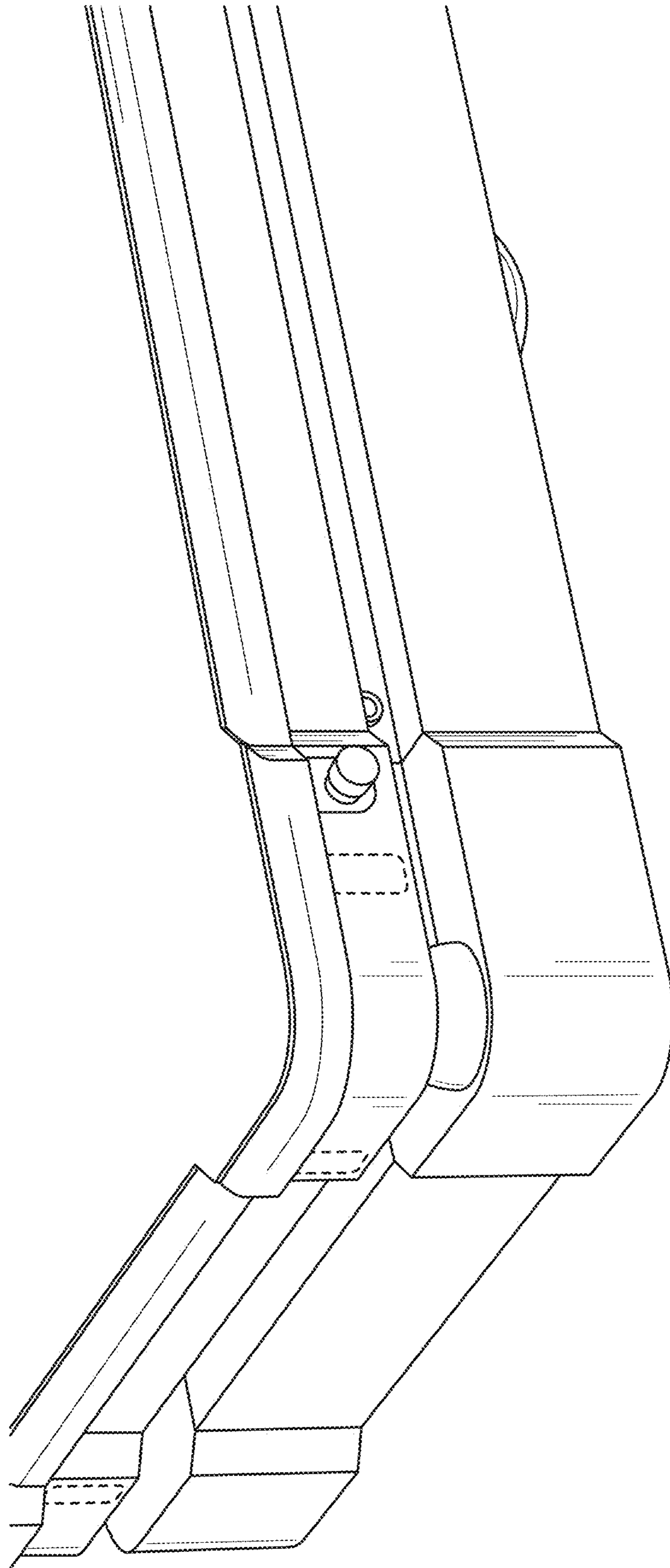


FIG. 9