



US00D907675S

(12) **United States Design Patent** (10) **Patent No.:** **US D907,675 S**  
**Doke et al.** (45) **Date of Patent:** **\*\* Jan. 12, 2021**

(54) **ACTUATOR**

(71) Applicant: **Johnson Controls Technology Company**, Auburn Hills, MI (US)

(72) Inventors: **Lakhan Shivaji Doke**, Pune (IN); **Marcello Passoni**, Vimercate (IT); **Amol Ramdas Vetal**, Pune (IN); **Atul Ramdas Patil**, Pune (IN); **Parag Jivanrao Bhongade**, Warda (IN); **Bhousaheb Uttam Pawar**, Pune (IN); **Yogesh Subhash Chorghe**, Pune (IN); **Shivchandra Venkatrao Nagime**, Latur (IN); **Aditya Dhavale**, Pune (IN)

(73) Assignee: **Johnson Controls Technology Company**, Auburn Hills, MI (US)

(\*\*) Term: **15 Years**

(21) Appl. No.: **29/663,371**

(22) Filed: **Sep. 14, 2018**

(51) **LOC (13) Cl.** ..... **15-09**

(52) **U.S. Cl.**  
USPC ..... **D15/148**

(58) **Field of Classification Search**  
USPC ..... 9/424, 428; 13/112, 158, 160, 162;  
15/5, 7, 9, 143, 148, 199  
CPC ..... F16B 15/00; F16B 15/12; F16B 15/065;  
H02K 7/00; H02K 7/24; H02K 19/06;  
H02K 26/00; H02K 33/00; H02K 33/16;  
H02K 37/00  
See application file for complete search history.

(56) **References Cited**

**U.S. PATENT DOCUMENTS**

D345,344 S \* 3/1994 Schaeffer ..... D13/170  
5,937,507 A \* 8/1999 Asakura ..... H02K 5/225  
29/596

D455,405 S \* 4/2002 Bonn ..... D13/158  
D480,450 S \* 10/2003 Saadi ..... D23/249  
D523,880 S \* 6/2006 Christensen ..... D15/143  
D585,387 S \* 1/2009 Fukano ..... D13/168  
D585,843 S \* 2/2009 Sakaguchi ..... D13/158  
D592,494 S \* 5/2009 Wichowski ..... D9/414  
D594,154 S \* 6/2009 Patel ..... D27/189  
D609,194 S \* 2/2010 Lin ..... D13/158  
D620,961 S \* 8/2010 Iversen ..... D15/143  
D635,219 S \* 3/2011 Funari ..... D23/233  
D640,131 S \* 6/2011 Gibson ..... D9/428  
D646,159 S \* 10/2011 Bellamah ..... D9/424  
D646,310 S \* 10/2011 Lan ..... D15/143

(Continued)

*Primary Examiner* — Patricia A Palasik

(74) *Attorney, Agent, or Firm* — Foley & Lardner LLP

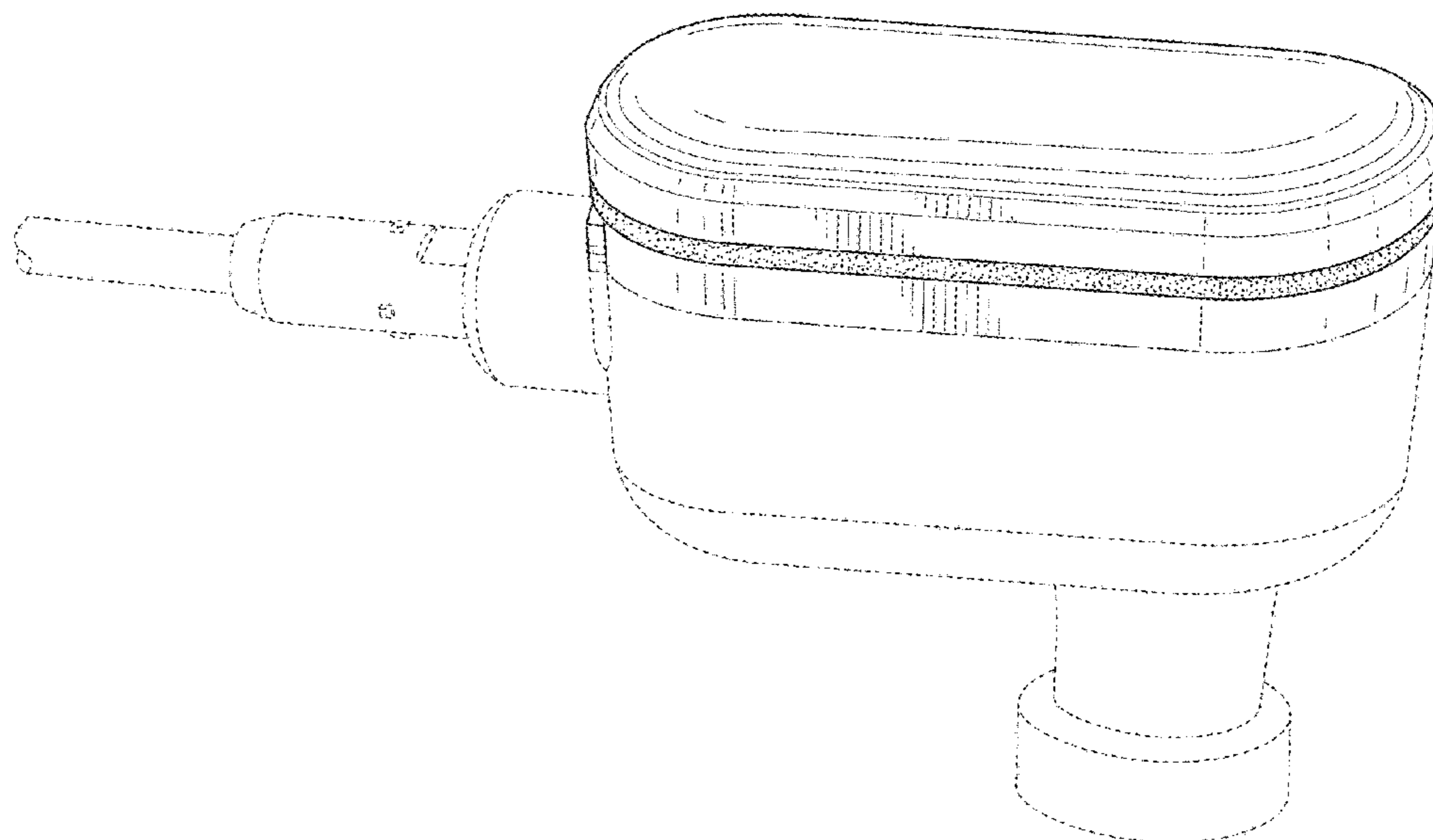
(57) **CLAIM**

We claim the ornamental design for an actuator, as shown and described.

**DESCRIPTION**

FIG. 1 is a front top perspective view of an actuator; FIG. 2 is a front bottom perspective view of the claimed design of FIG. 1; FIG. 3 is a rear view of the claimed design of FIG. 1; FIG. 4 is a front view of the claimed design of FIG. 1; FIG. 5 is a left side view of the claimed design of FIG. 1; FIG. 6 is a right side view of the claimed design of FIG. 1; FIG. 7 is a top view of the claimed design of FIG. 1; and, FIG. 8 is a bottom view of the claimed design of FIG. 1. Any portion of the article depicted in broken lines forms no part of the claimed design. Broken lines formed by equal length dashes show unclaimed portions of the design. Broken lines formed of unequal length dashes (i.e., dash-dot) show boundaries between claimed and unclaimed portions of the design. Any portion of the article depicted in stippling indicates a contrasting color with respect to the adjacent portions of the article.

**1 Claim, 7 Drawing Sheets**



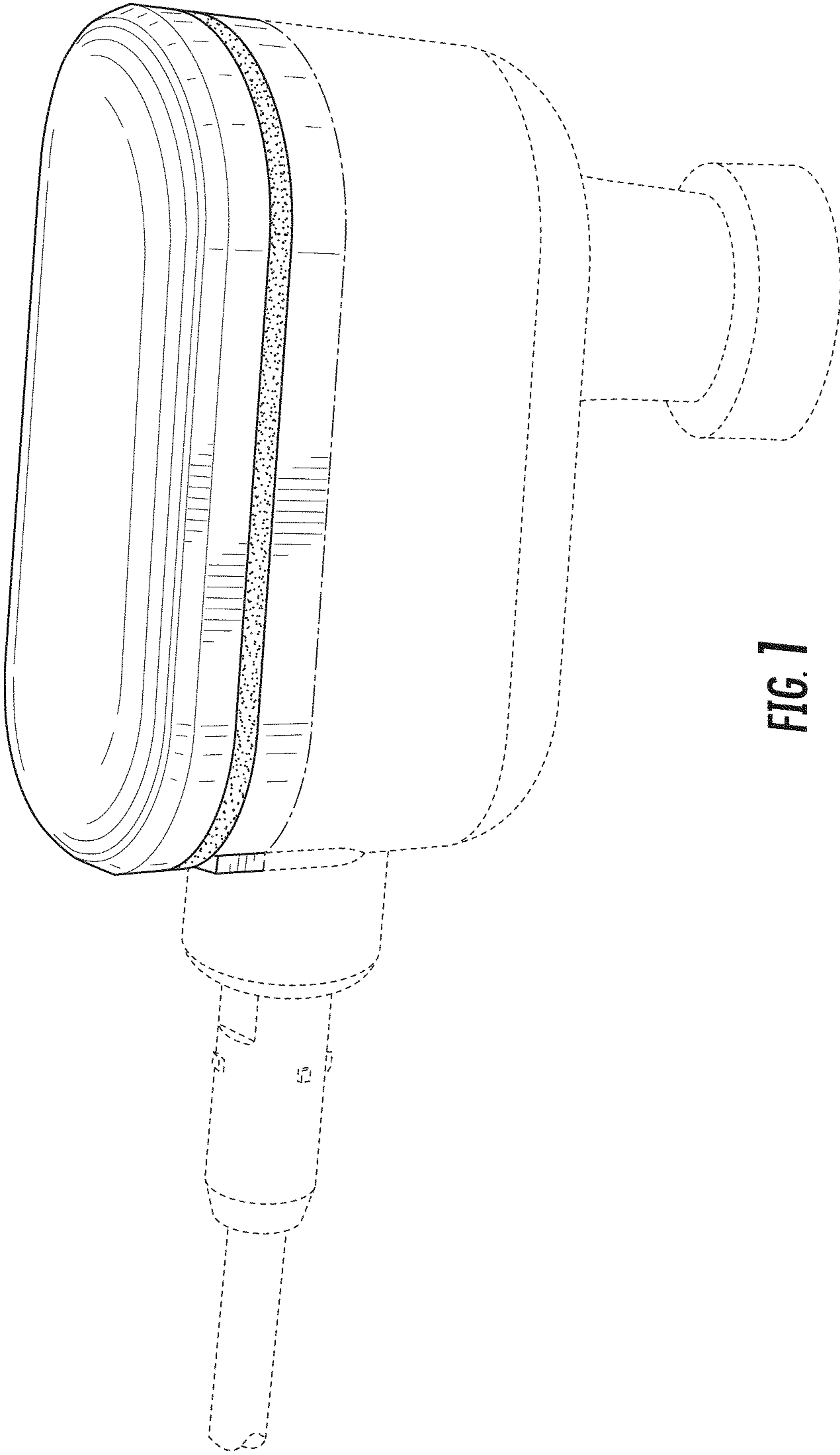
(56)

**References Cited**

U.S. PATENT DOCUMENTS

D650,268	S *	12/2011	Gibson	.....	D9/428
D665,433	S *	8/2012	Beam	.....	D15/143
D673,848	S *	1/2013	Bailey	.....	D9/428
D695,799	S *	12/2013	Landerholm	.....	D15/143
D700,923	S *	3/2014	Lin	.....	D15/143
D701,546	S *	3/2014	Lin	.....	D15/143
8,910,781	B2 *	12/2014	Pipes	.....	A24F 23/00 206/242
D727,714	S *	4/2015	Gherlenda	.....	D8/331
D727,724	S *	4/2015	Pipes	.....	A24F 23/00 D9/435
D748,171	S *	1/2016	Klinke	.....	D15/143
D764,462	S *	8/2016	Romanoff	.....	D14/358
9,445,631	B1 *	9/2016	Patel	.....	B65D 53/02
D775,677	S *	1/2017	Jorgensen	.....	D15/143
D776,728	S *	1/2017	Wu	.....	D15/143
D778,968	S *	2/2017	Luck	.....	D15/143
D846,264	S *	4/2019	Wu	.....	D3/201
D851,146	S *	6/2019	Thoni	.....	D15/148
D864,268	S *	10/2019	Shen	.....	D15/148
D865,163	S *	10/2019	Lambrecht	.....	D24/129
D892,184	S *	8/2020	Thoni	.....	D15/148
2014/0197054	A1 *	7/2014	Pipes	.....	A24F 23/00 206/265
2016/0020668	A1 *	1/2016	Ishikawa	.....	H02K 5/24 310/38

\* cited by examiner



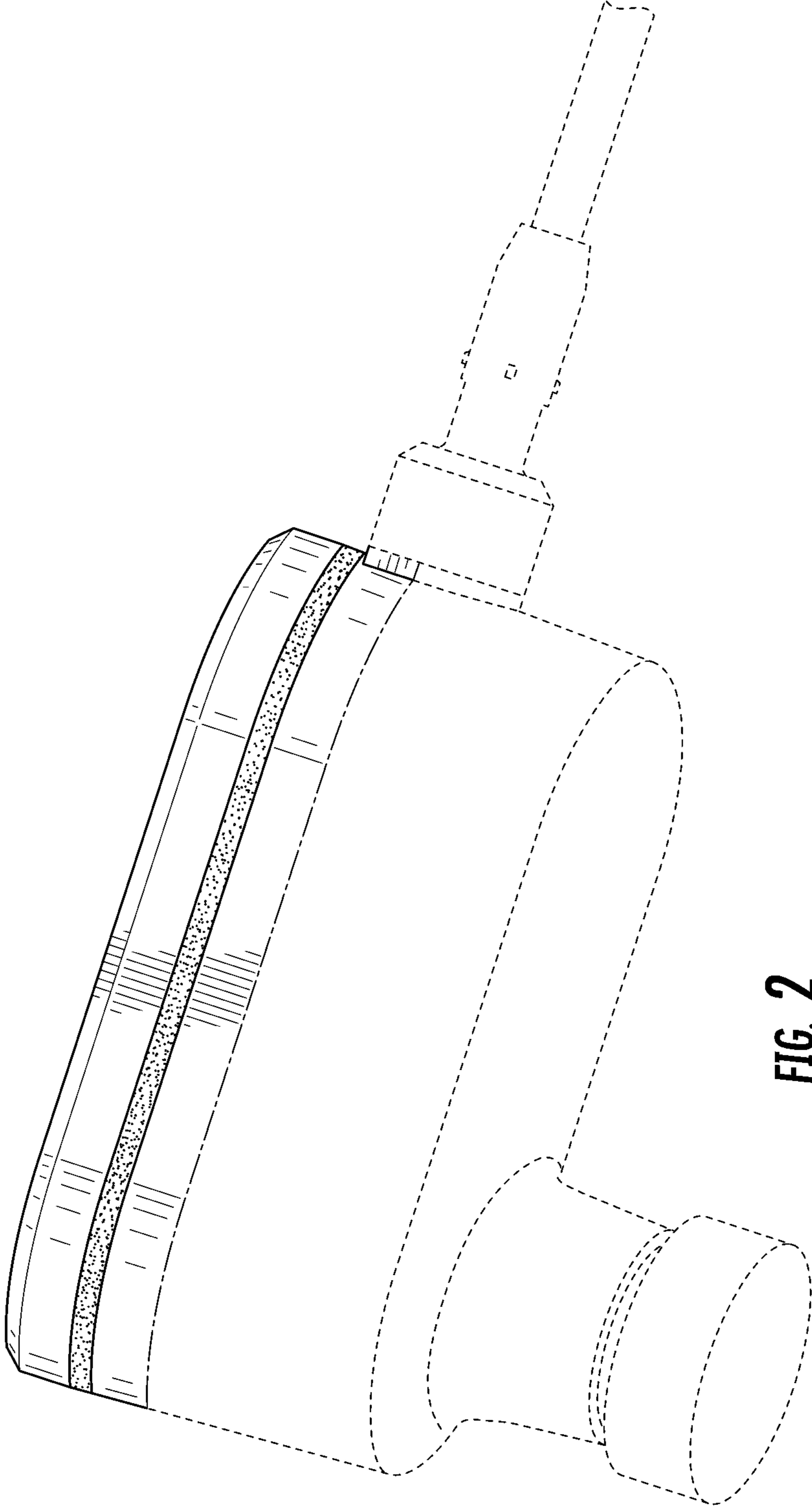


FIG. 2

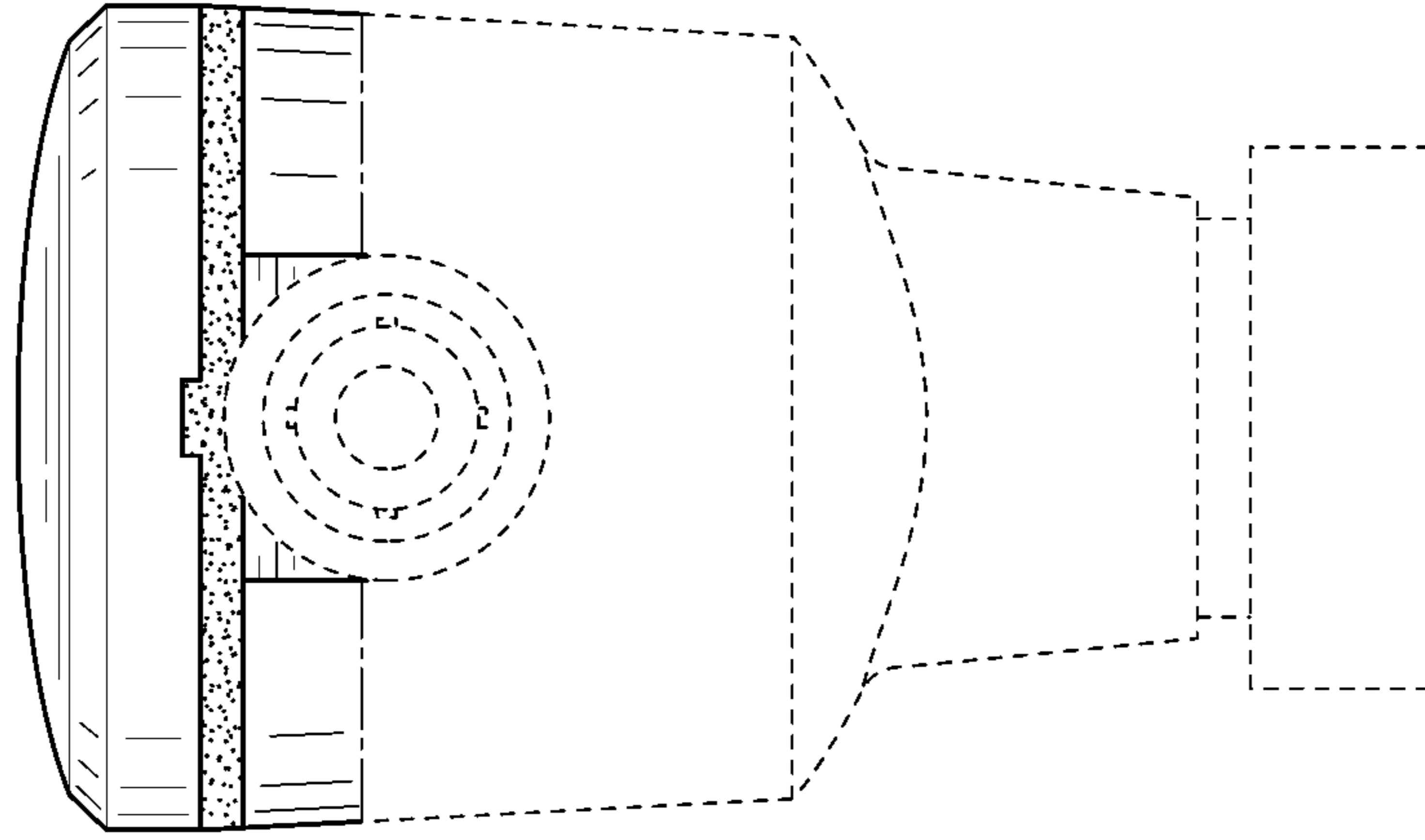


FIG. 3

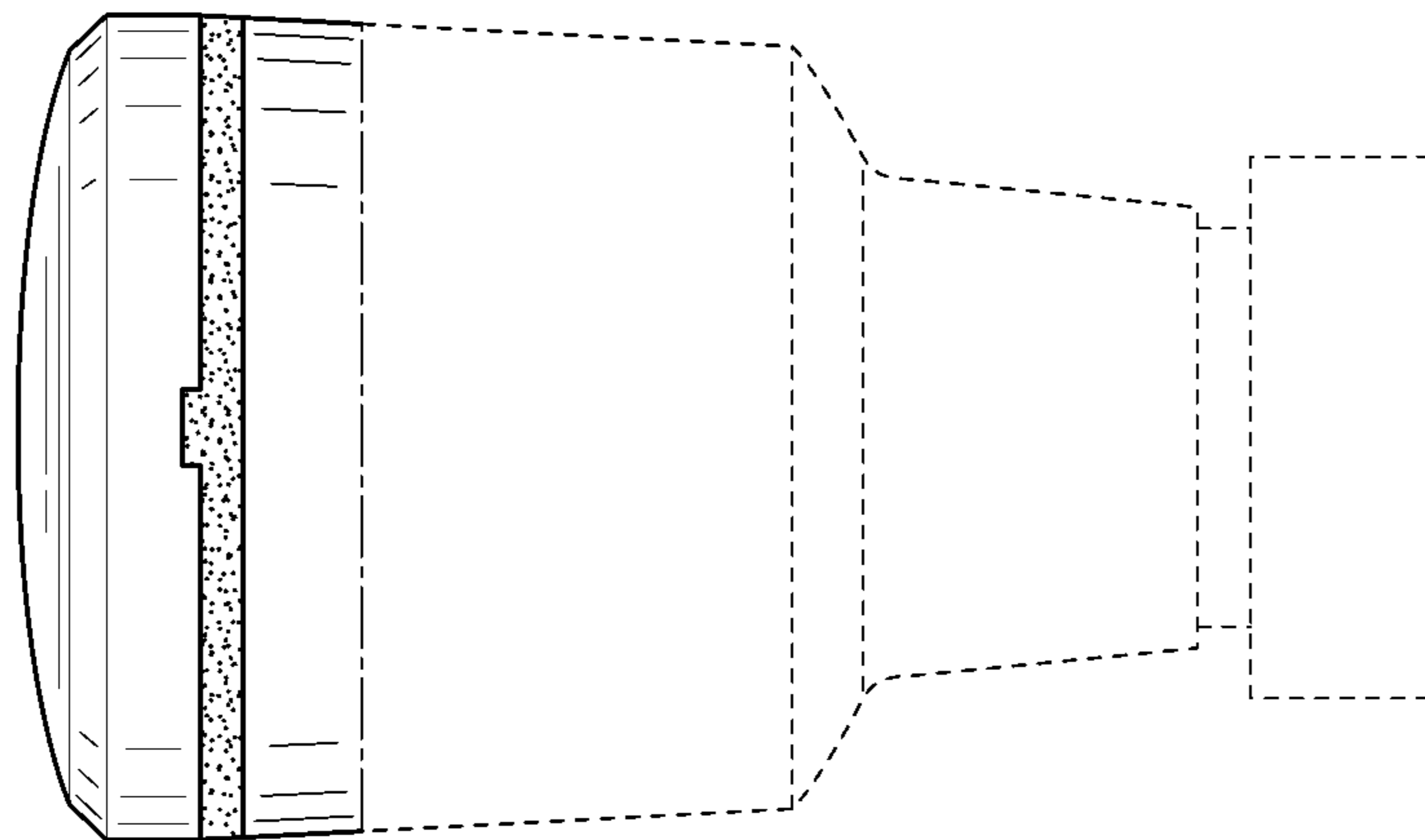


FIG. 4

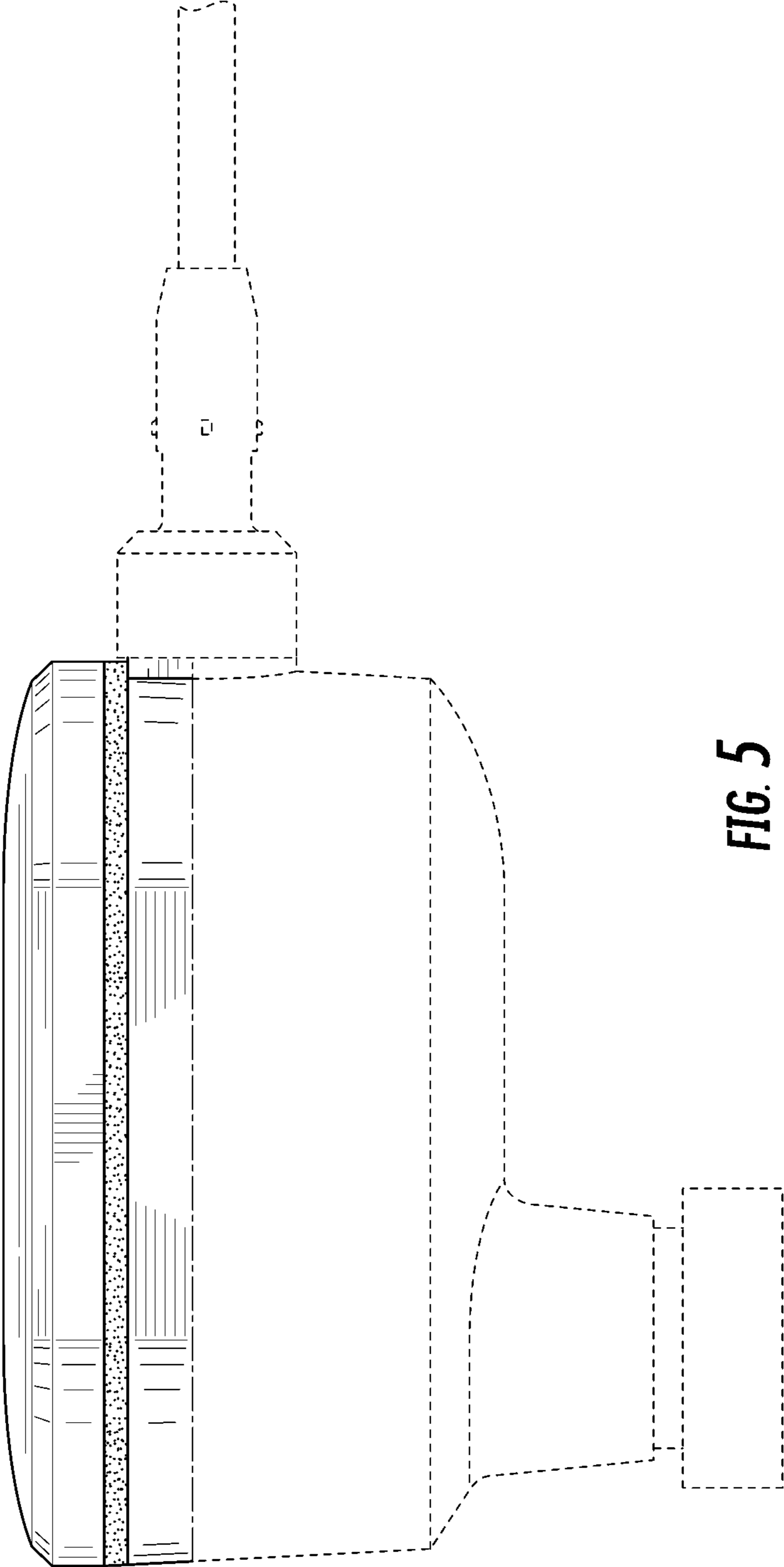
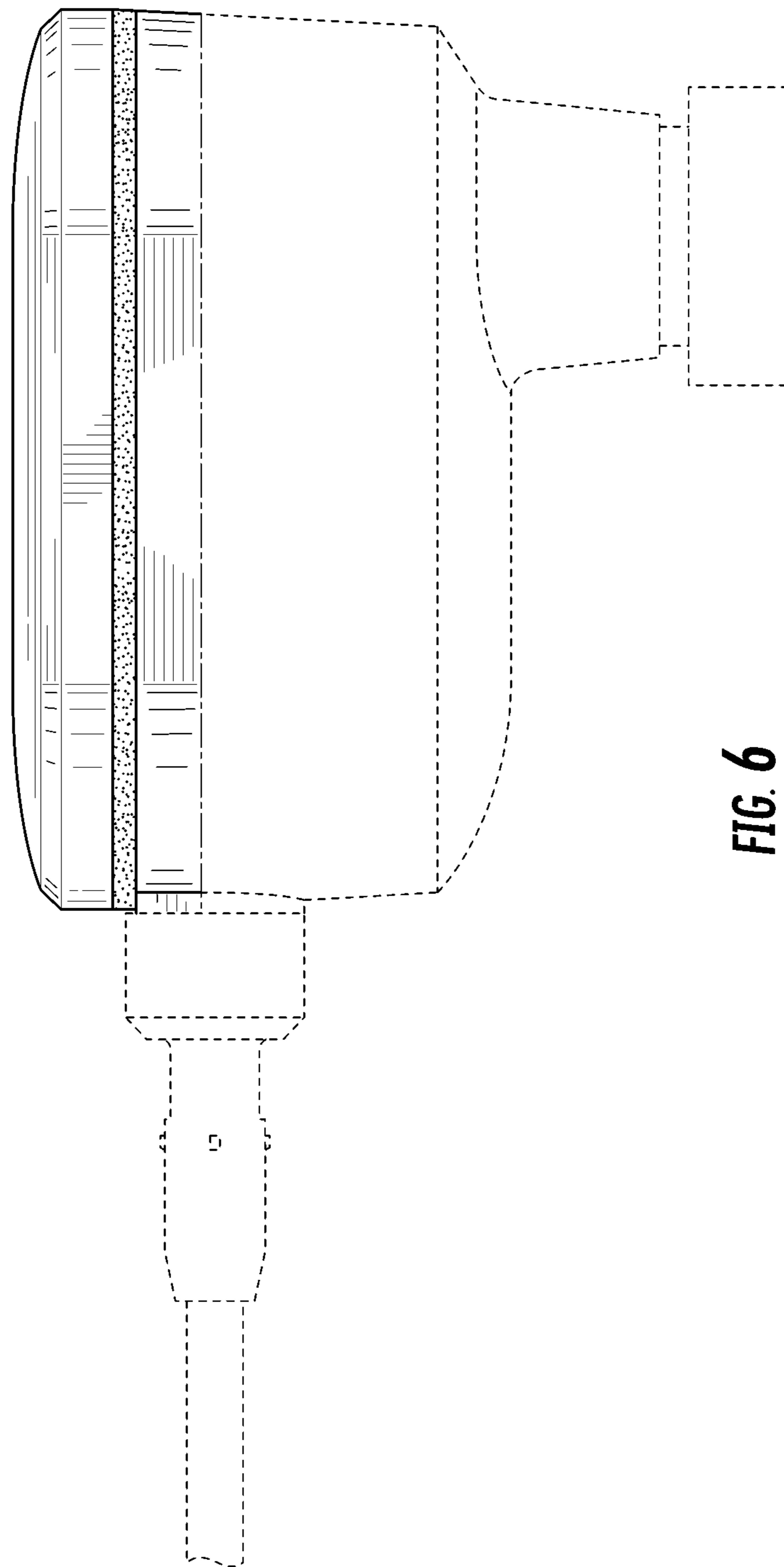
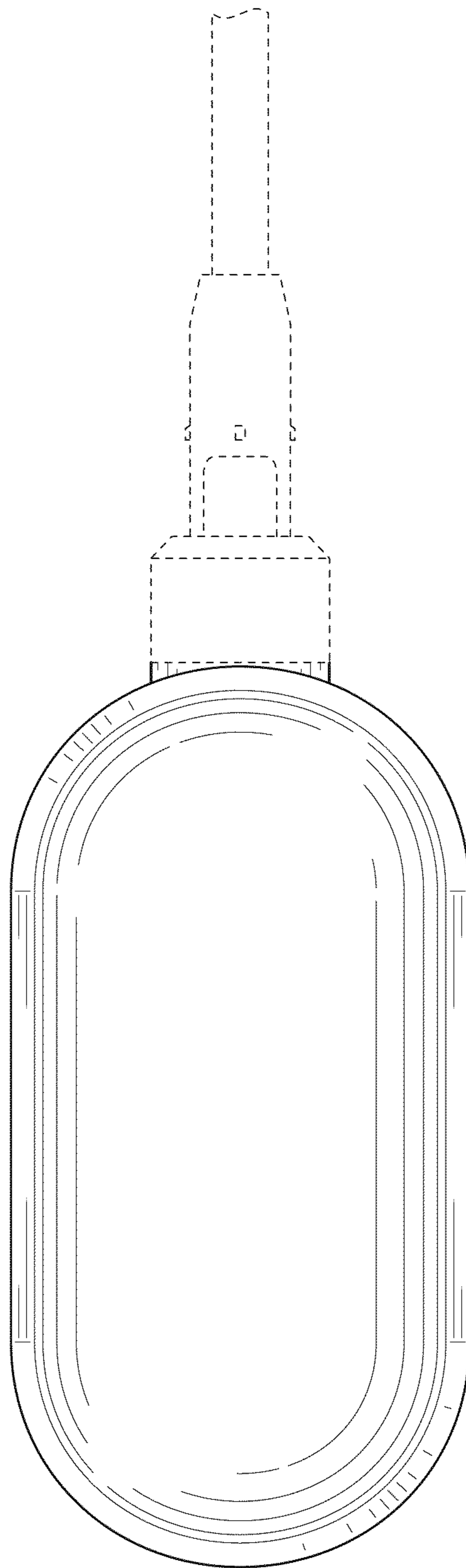


FIG. 5

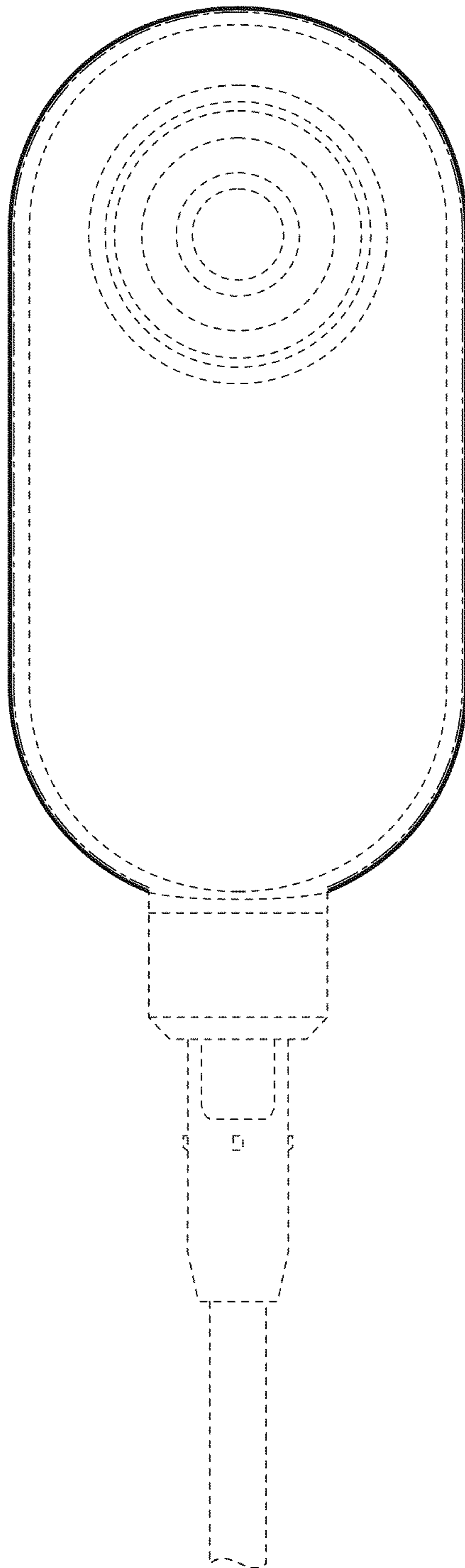






**FIG. 7**





**FIG. 8**