



US00D907674S

(12) **United States Design Patent** (10) **Patent No.:** **US D907,674 S**  
**Brak** (45) **Date of Patent:** **\*\* Jan. 12, 2021**

(54) **CENTRIFUGAL SEPARATOR**  
(71) Applicant: **GEA MECHANICAL EQUIPMENT GMBH, Oelde (DE)**  
(72) Inventor: **Eduard Brak, Oelde (DE)**  
(73) Assignee: **GEA MECHANICAL EQUIPMENT GMBH, Oelde (DE)**  
(\*\*) Term: **15 Years**  
(21) Appl. No.: **29/698,713**  
(22) Filed: **Jul. 18, 2019**

D178,222 S 7/1956 Cook  
4,504,262 A 3/1985 Forsberg  
RE32,381 E 3/1987 Dudrey  
D294,363 S 2/1988 Donhauser  
4,915,682 A 4/1990 Stroucken  
4,930,412 A 6/1990 Stroucken  
D335,294 S 5/1993 Vallien  
D633,119 S 2/2011 Mackel  
D869,522 S \* 12/2019 Brak ..... D15/122  
D879,170 S \* 3/2020 Brak ..... D15/147  
2018/0141058 A1 5/2018 Örtegren et al.  
2018/0147582 A1 5/2018 Casa et al.  
2018/0195615 A1 7/2018 Burford et al.  
2018/0207649 A1 7/2018 Pitkamaki  
2018/0318847 A1 11/2018 Lüersmann et al.  
2018/0353973 A1 12/2018 Hilding  
2019/0143342 A1 5/2019 Sundin

\* cited by examiner

**Related U.S. Application Data**

(62) Division of application No. 29/631,378, filed on Dec. 29, 2017.  
(51) **LOC (13) Cl.** ..... **15-99**  
(52) **U.S. Cl.**  
USPC ..... **D15/147**  
(58) **Field of Classification Search**  
USPC ..... D15/122, 138, 147, 199  
CPC .. B04B 1/08; B04B 5/005; B04B 7/14; B04B 9/02; B04B 9/06; B04B 11/02; F01M 2013/0422  
See application file for complete search history.

*Primary Examiner* — Patricia A Palasik  
(74) *Attorney, Agent, or Firm* — Patent Portfolio Builders PLLC

(57) **CLAIM**

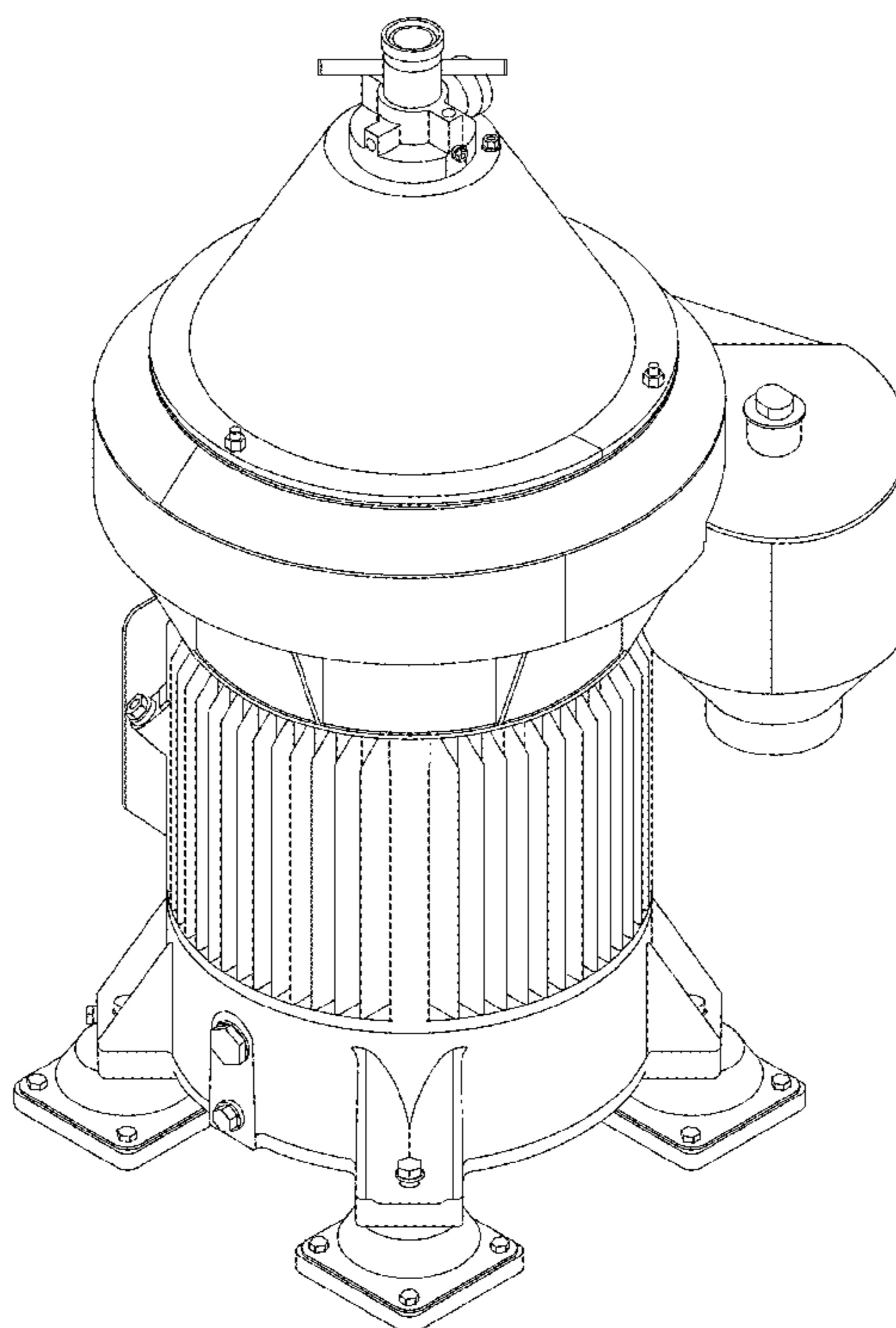
The ornamental design for a centrifugal separator, substantially as shown and described.

**DESCRIPTION**

FIG. 1 is a front view;  
FIG. 2 is a left side view;  
FIG. 3 is a rear view;  
FIG. 4 is a right side view;  
FIG. 5 is a bottom view;  
FIG. 6 is a top view; and,  
FIG. 7 is a perspective view.

(56) **References Cited**  
**U.S. PATENT DOCUMENTS**  
D90,365 S 7/1933 Gilmore  
D118,147 S 12/1939 Jones  
D168,013 S 10/1952 Aller

**1 Claim, 7 Drawing Sheets**



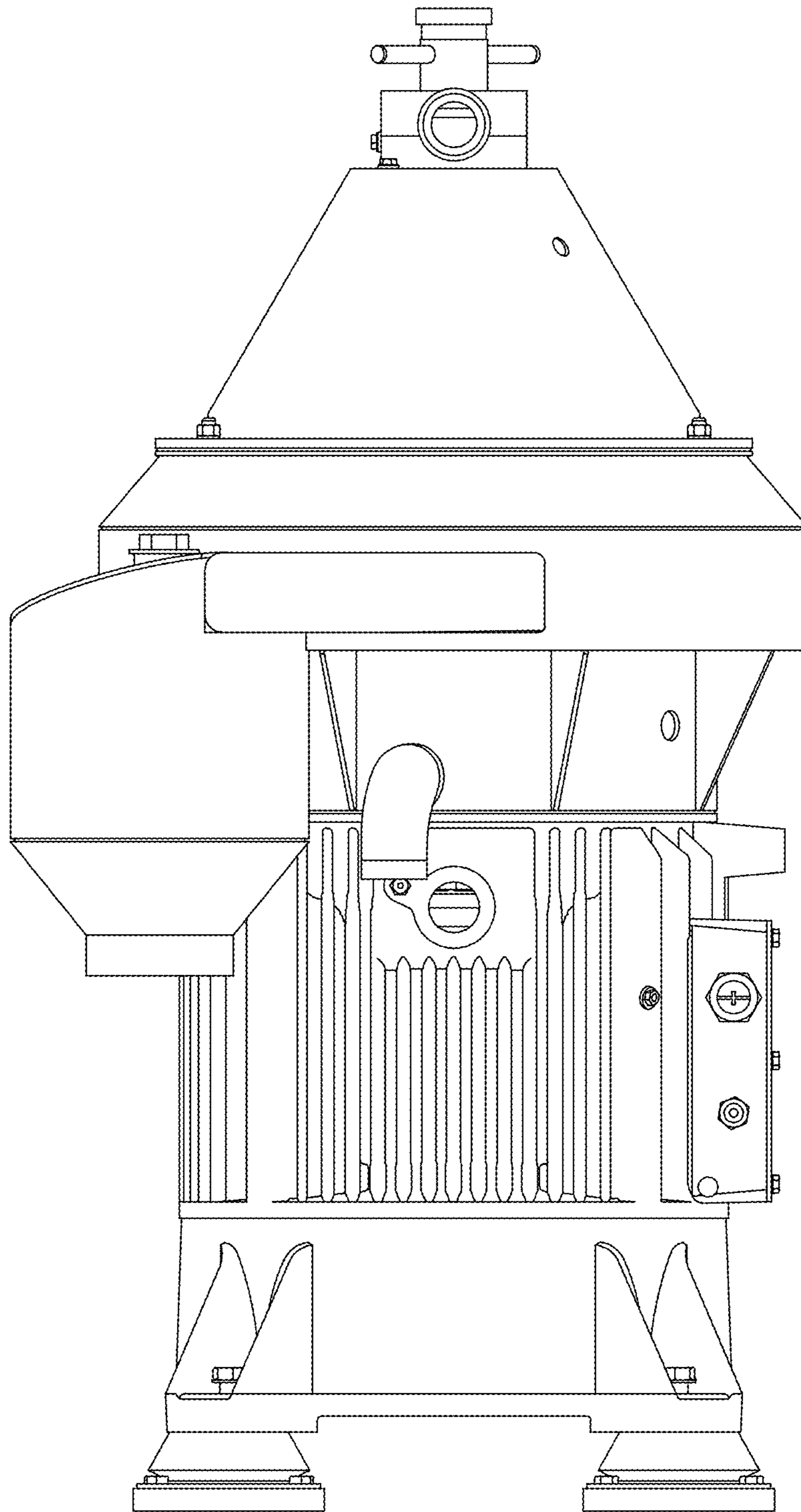


FIG. 1

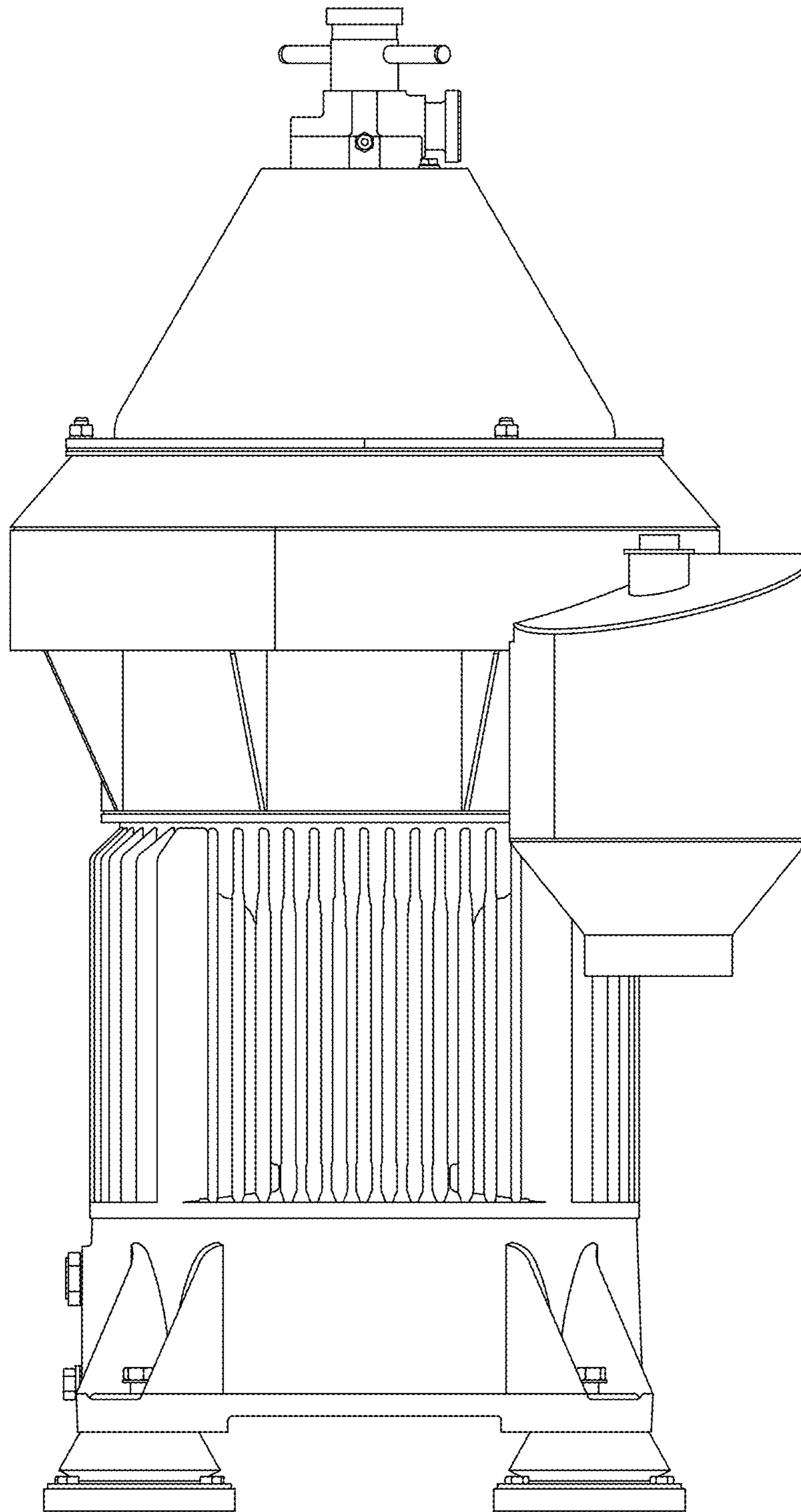


FIG. 2

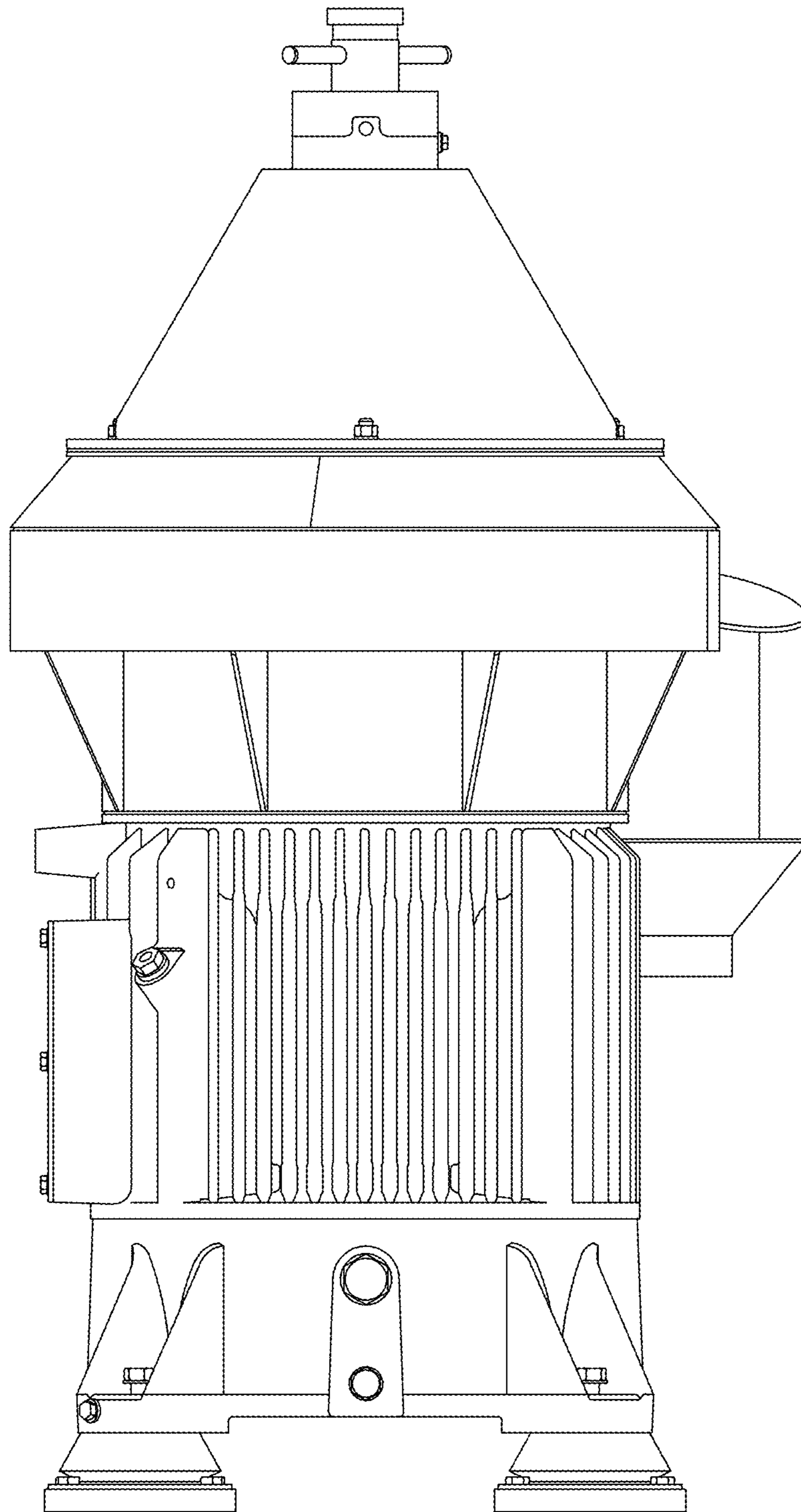


FIG. 3

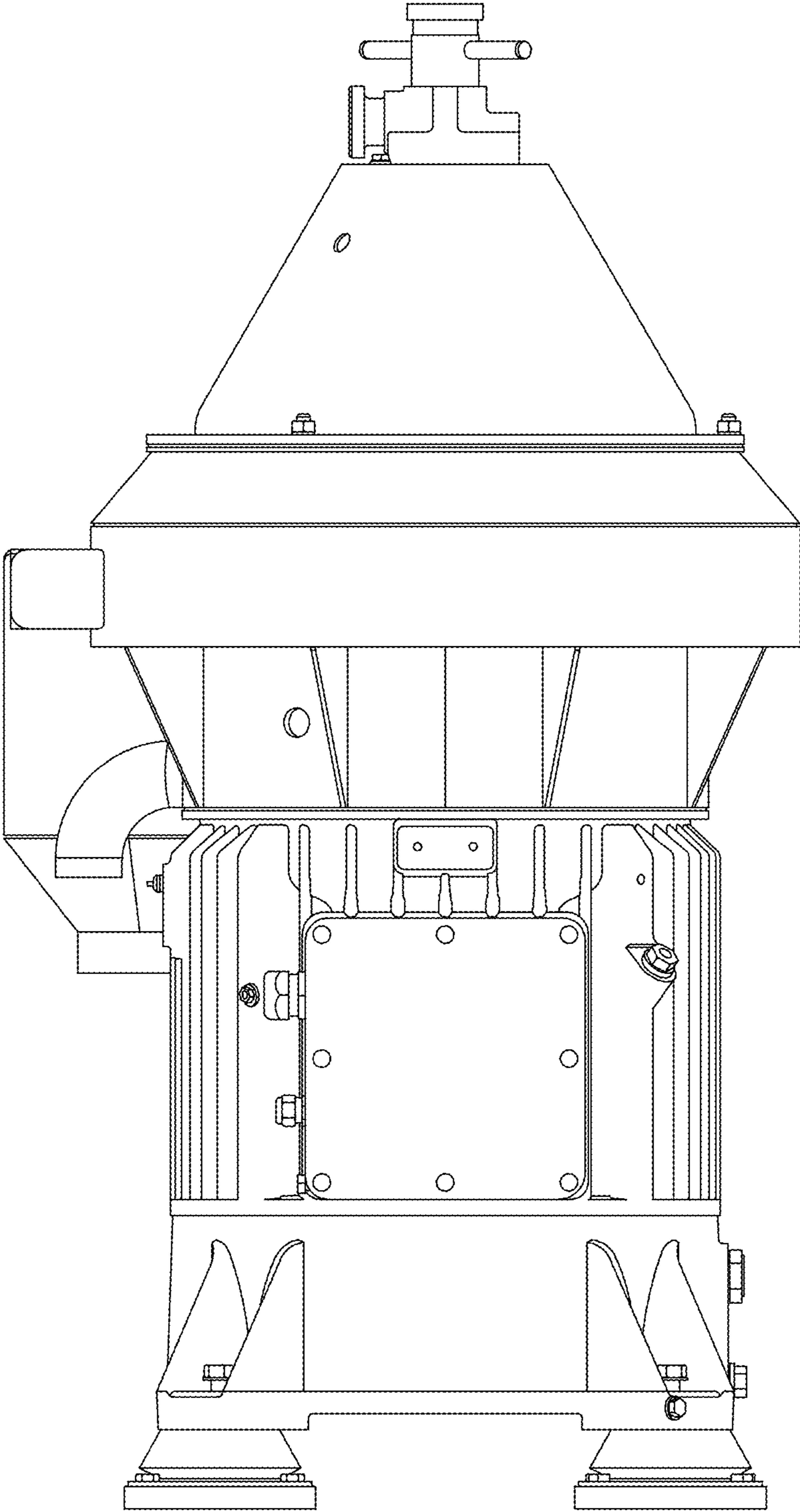


FIG. 4



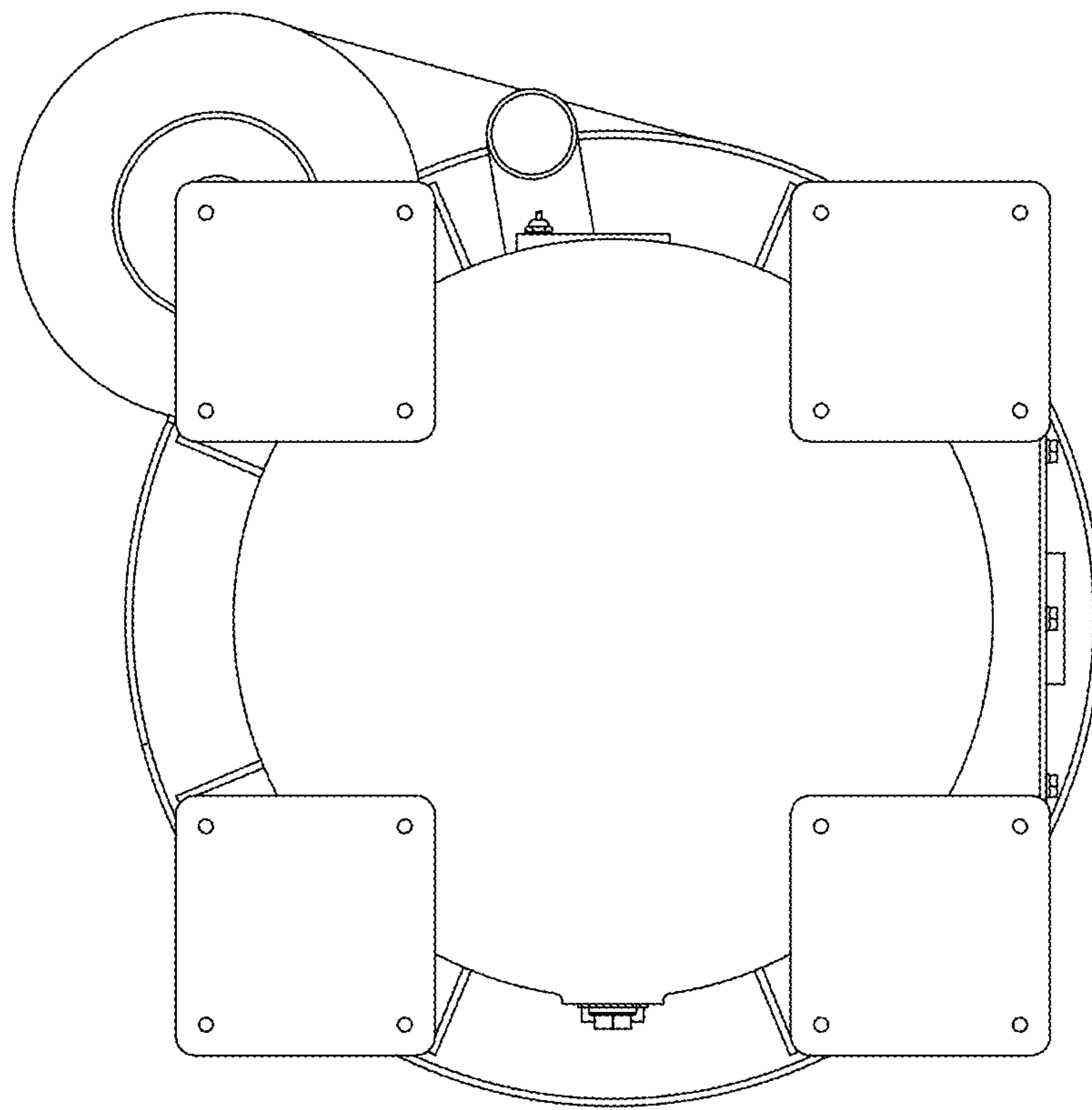


FIG. 5

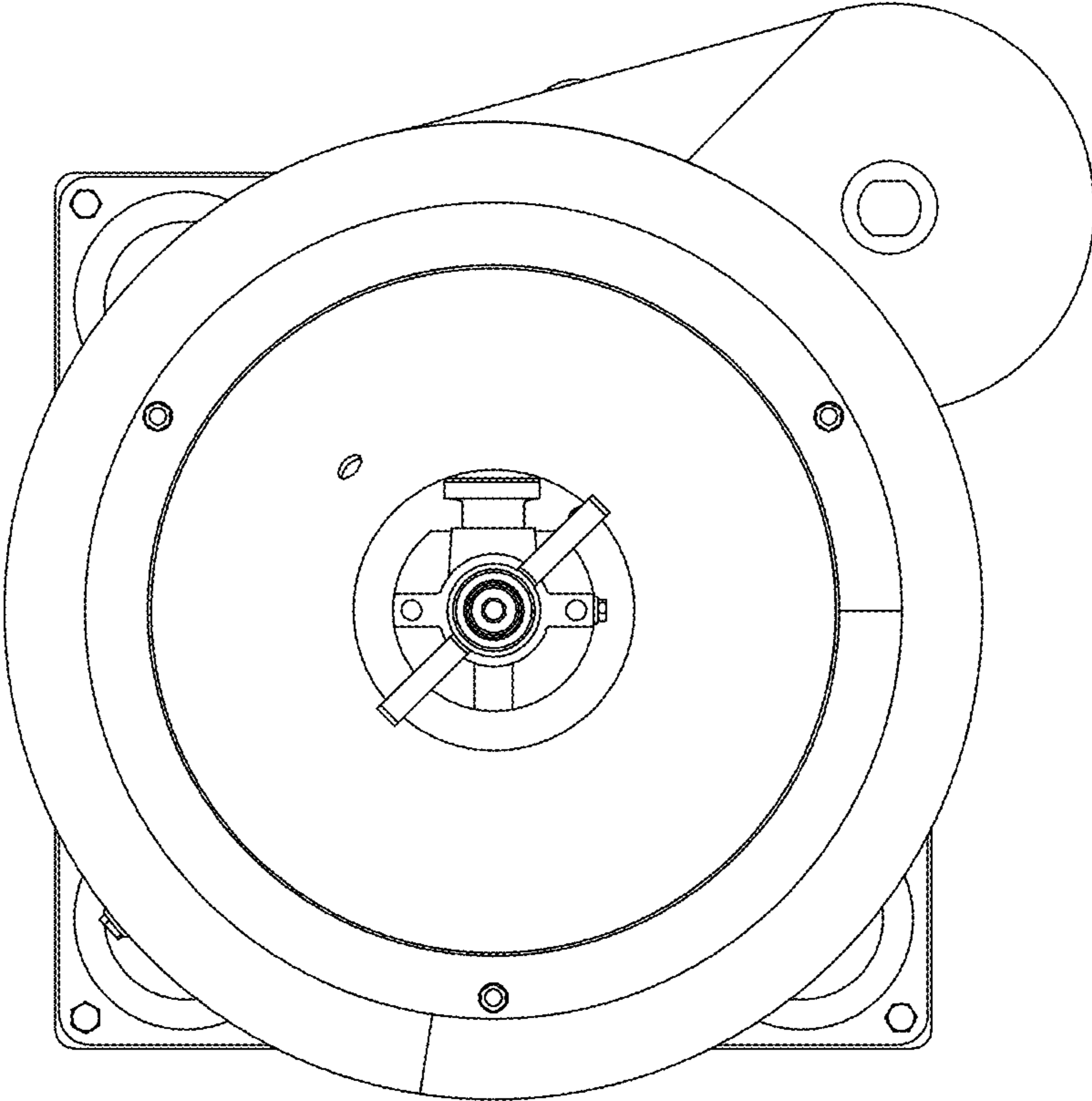


FIG. 6

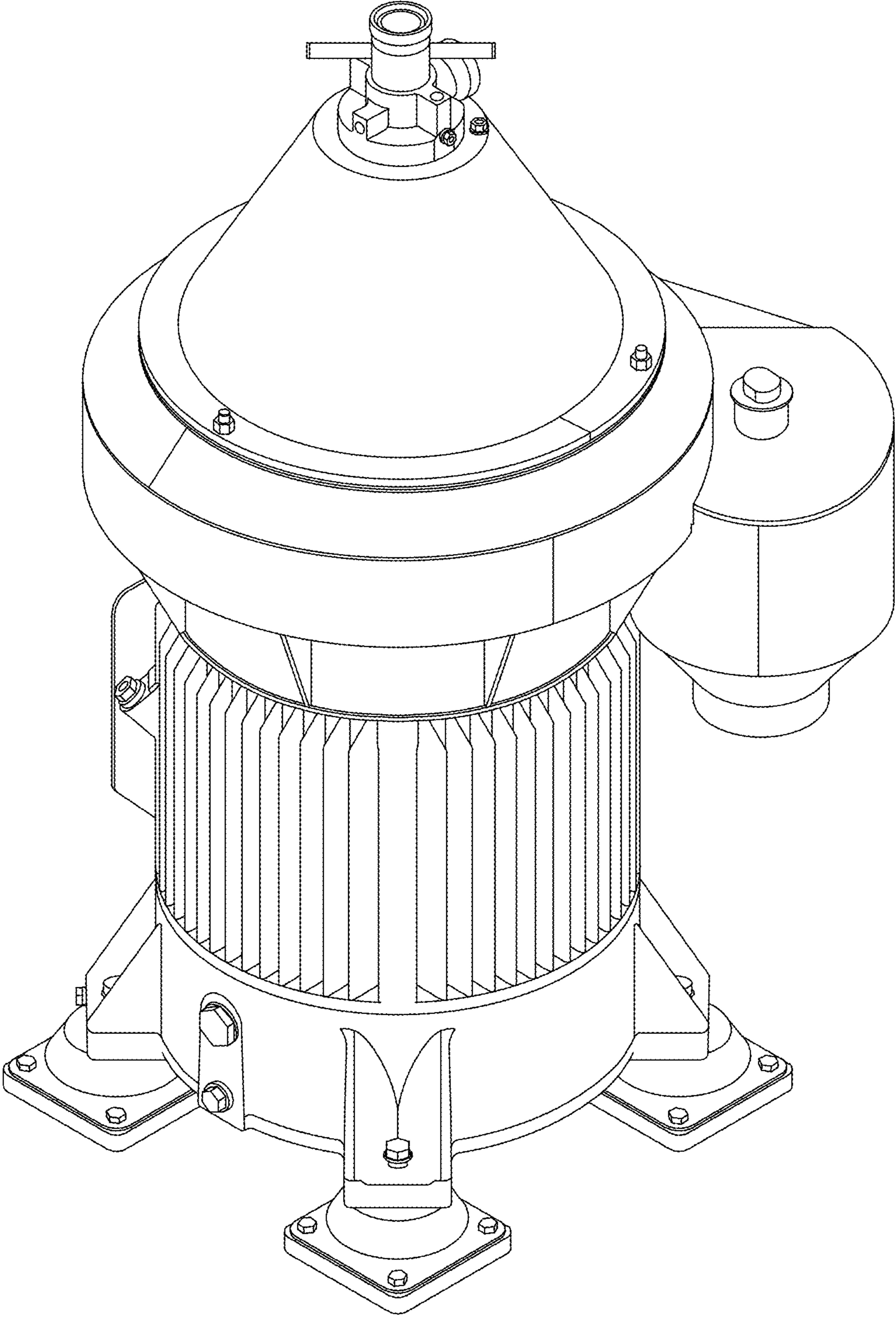


FIG. 7