



US00D907672S

(12) **United States Design Patent** (10) **Patent No.:** **US D907,672 S**
Brak (45) **Date of Patent:** **** Jan. 12, 2021**

(54) **CENTRIFUGAL SEPARATOR**
(71) Applicant: **GEA MECHANICAL EQUIPMENT GMBH, Oelde (DE)**
(72) Inventor: **Eduard Brak, Oelde (DE)**
(73) Assignee: **GEA MECHANICAL EQUIPMENT GMBH, Oelde (DE)**
(**) Term: **15 Years**
(21) Appl. No.: **29/698,711**
(22) Filed: **Jul. 18, 2019**

D178,222 S 7/1956 Cook
4,504,262 A 3/1985 Forsberg
RE32,381 E 3/1987 Dudrey
D294,363 S 2/1988 Donhauser
4,915,682 A 4/1990 Stroucken
4,930,412 A 6/1990 Stroucken
D335,294 S 5/1993 Vallien
D633,119 S 2/2011 Mackel
D869,522 S * 12/2019 Brak D15/122
D879,170 S * 3/2020 Brak D15/147
2018/0141058 A1 5/2018 Örtegren et al.
2018/0147582 A1 5/2018 Casa et al.
2018/0195615 A1 7/2018 Burford et al.
2018/0207649 A1 7/2018 Pitkämäki
2018/0318847 A1 11/2018 Lüersmann et al.
2018/0353973 A1 12/2018 Hilding
2019/0143342 A1 5/2019 Sundin

* cited by examiner

Related U.S. Application Data

(62) Division of application No. 29/631,378, filed on Dec. 29, 2017.
(51) **LOC (13) Cl.** **15-99**
(52) **U.S. Cl.**
USPC **D15/147**
(58) **Field of Classification Search**
USPC D15/122, 138, 147, 199
CPC .. B04B 1/08; B04B 5/005; B04B 7/14; B04B 9/02; B04B 9/06; B04B 11/02; F01M 2013/0422
See application file for complete search history.

Primary Examiner — Patricia A Palasik
(74) *Attorney, Agent, or Firm* — Patent Portfolio Builders PLLC

(57) **CLAIM**

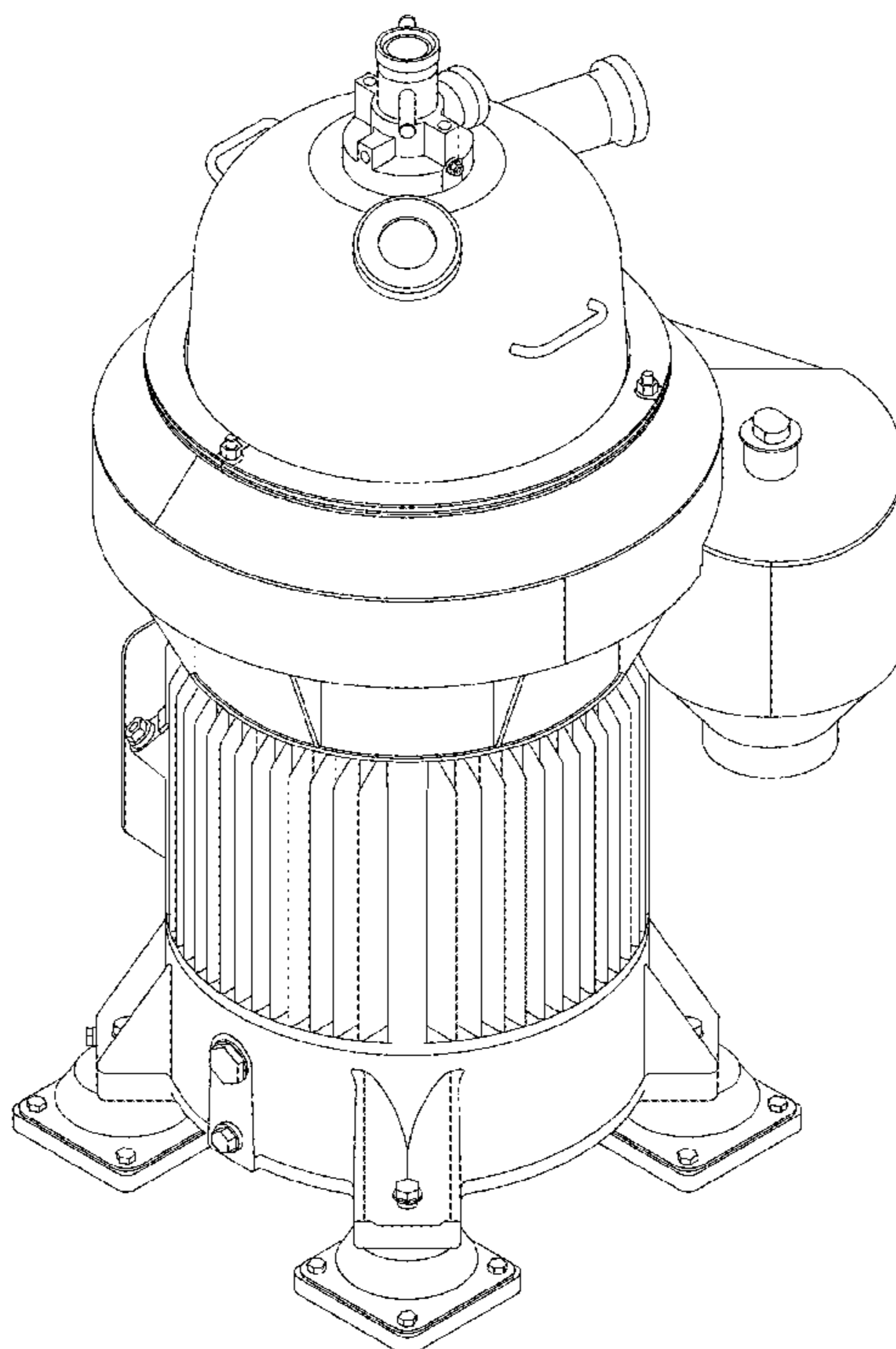
The ornamental design for a centrifugal separator, substantially as shown and described.

DESCRIPTION

FIG. 1 is a front view;
FIG. 2 is a left side view;
FIG. 3 is a rear view;
FIG. 4 is a right side view;
FIG. 5 is a bottom view;
FIG. 6 is a top view; and,
FIG. 7 is a perspective view.

(56) **References Cited**
U.S. PATENT DOCUMENTS
D90,365 S 7/1933 Gilmore
D118,147 S 12/1939 Jones
D168,013 S 10/1952 Aller

1 Claim, 7 Drawing Sheets



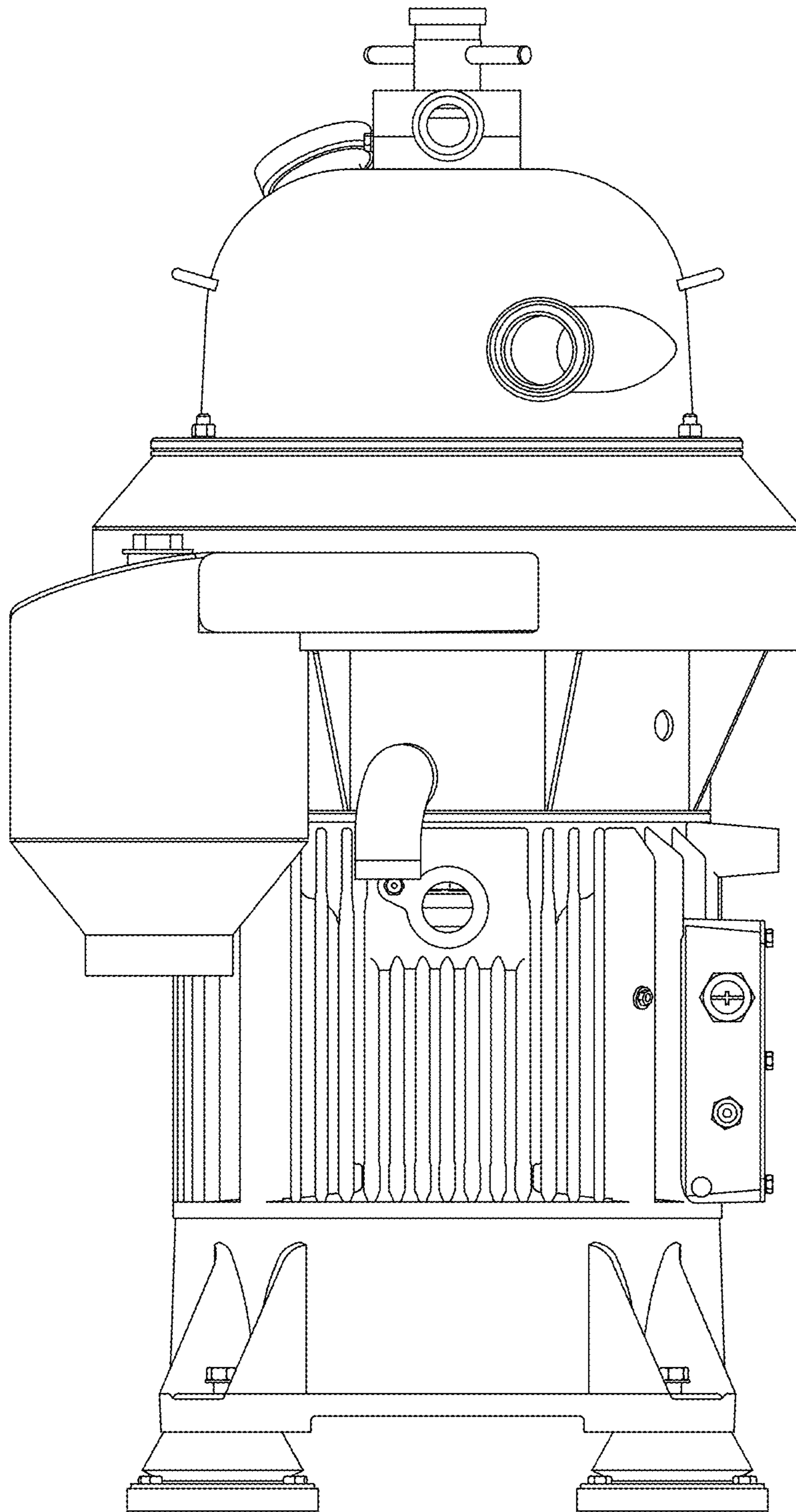


FIG. 1

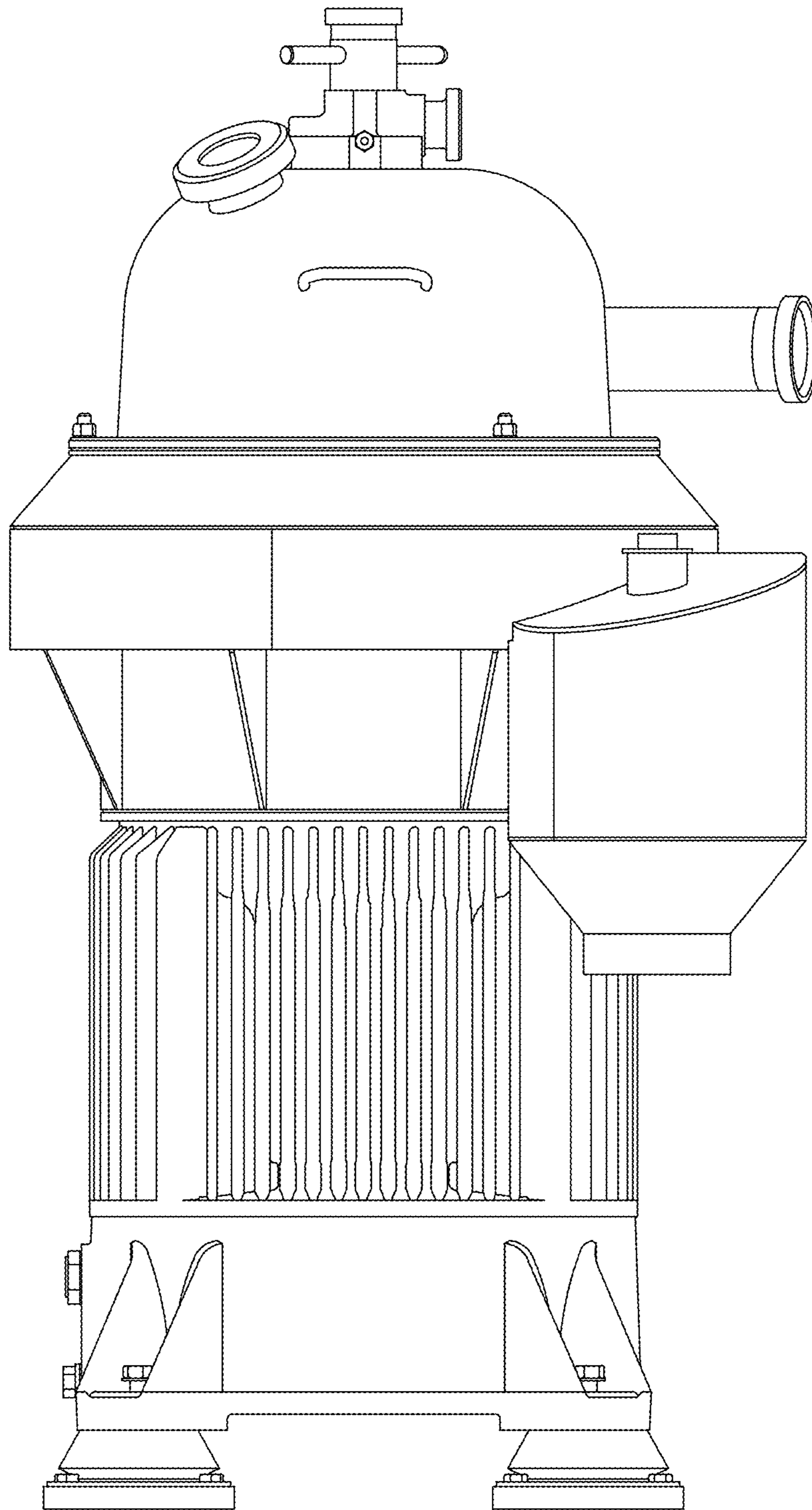


FIG. 2

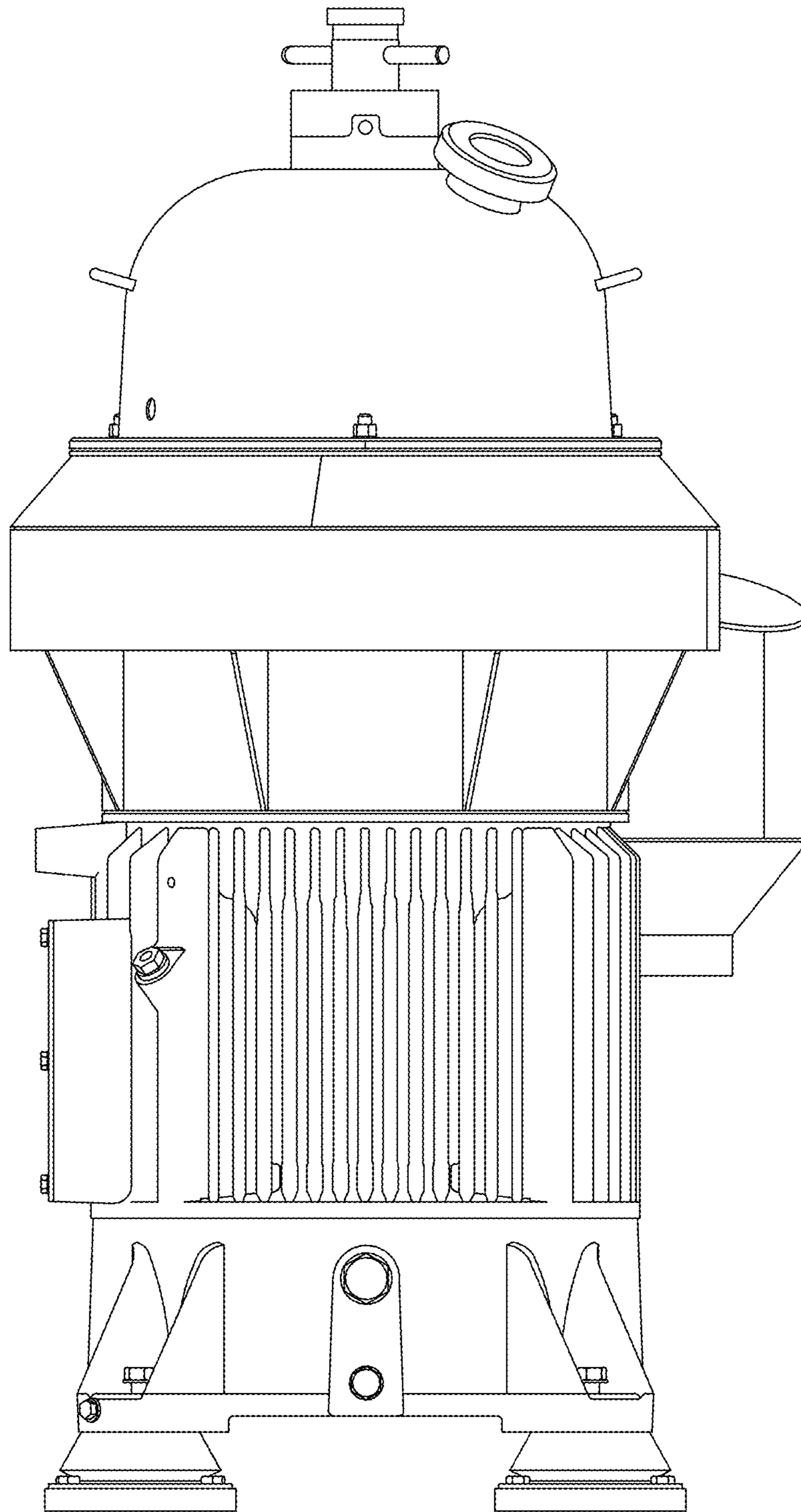


FIG. 3

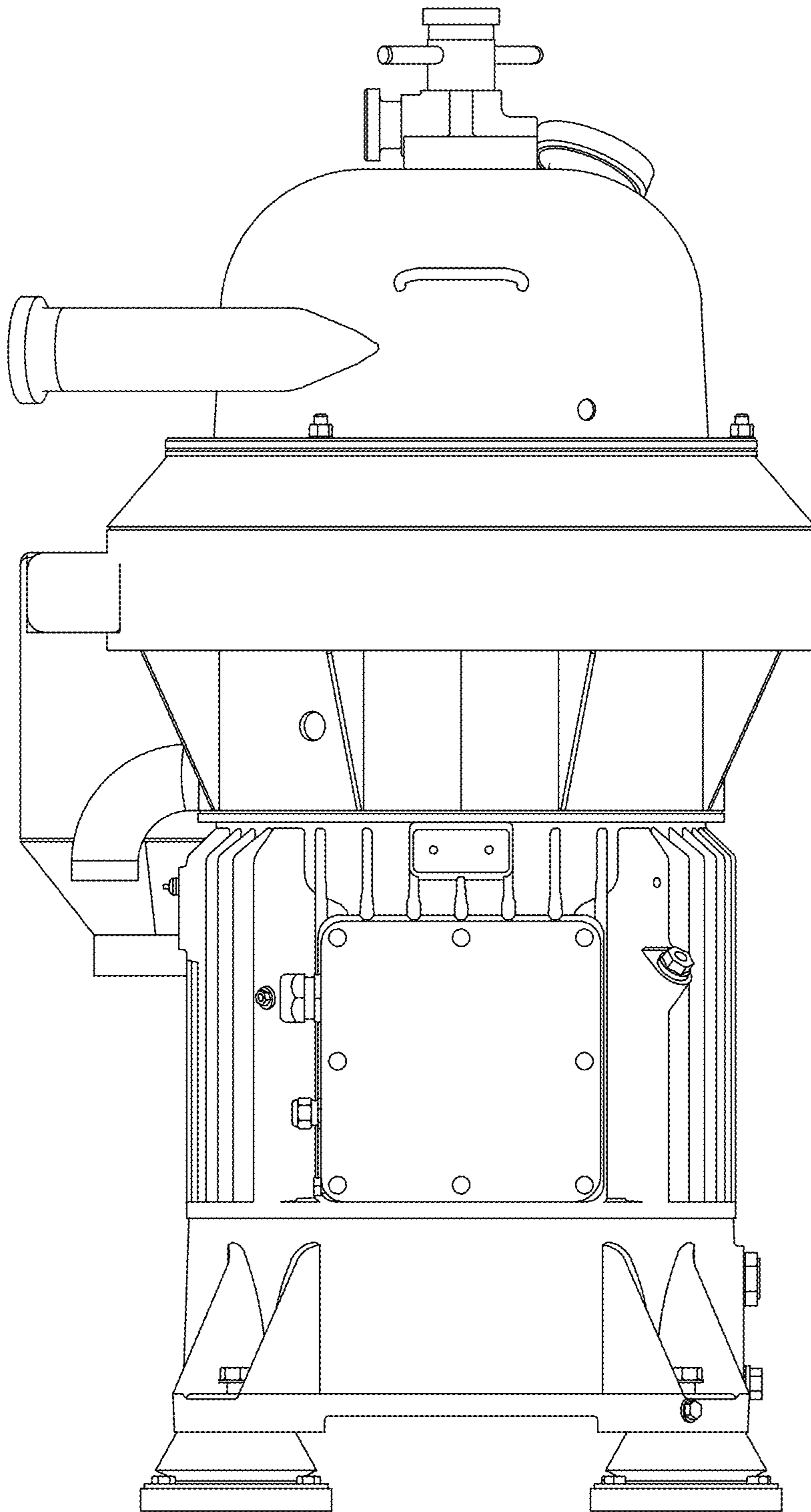


FIG. 4

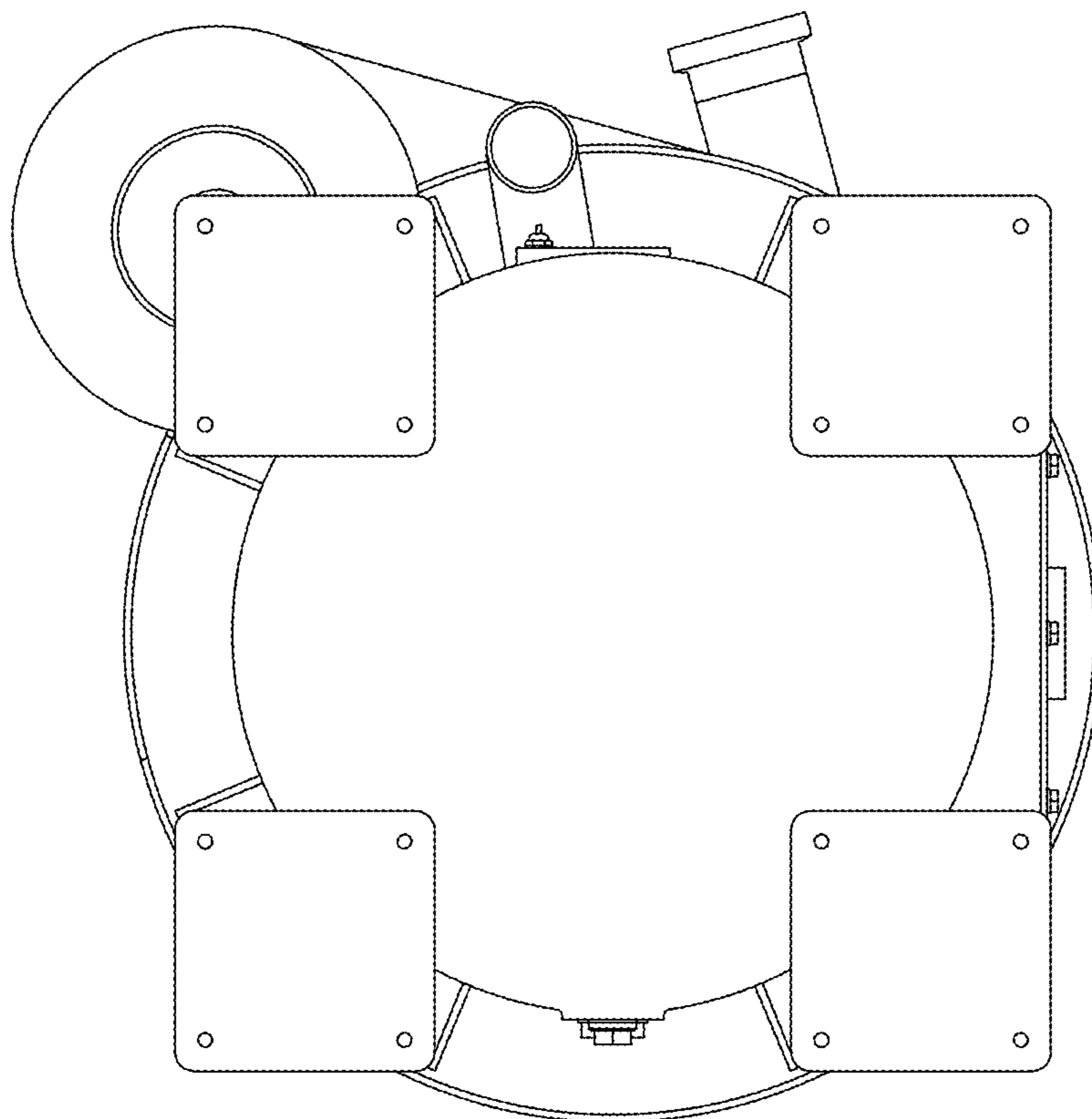


FIG. 5

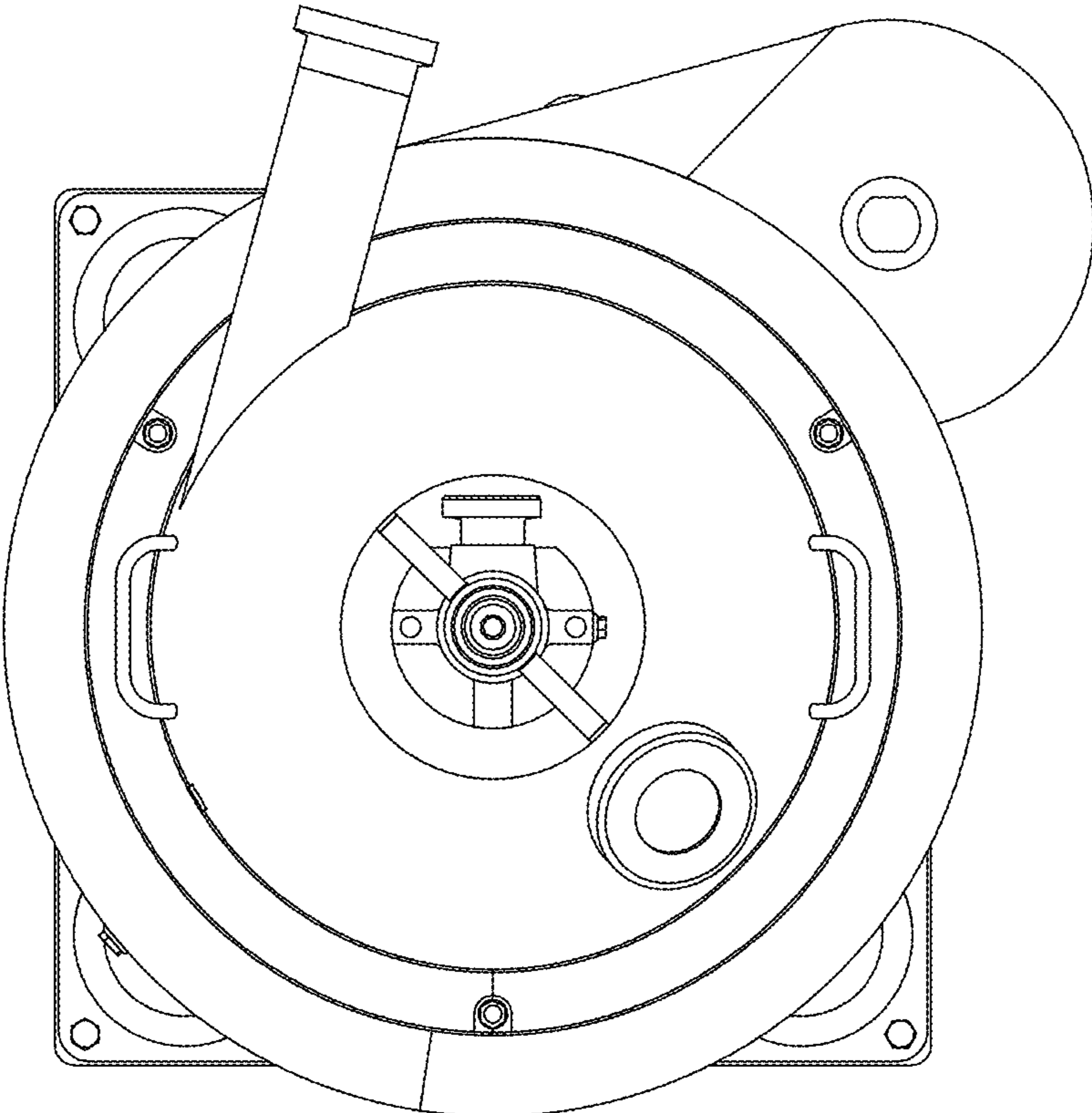


FIG. 6

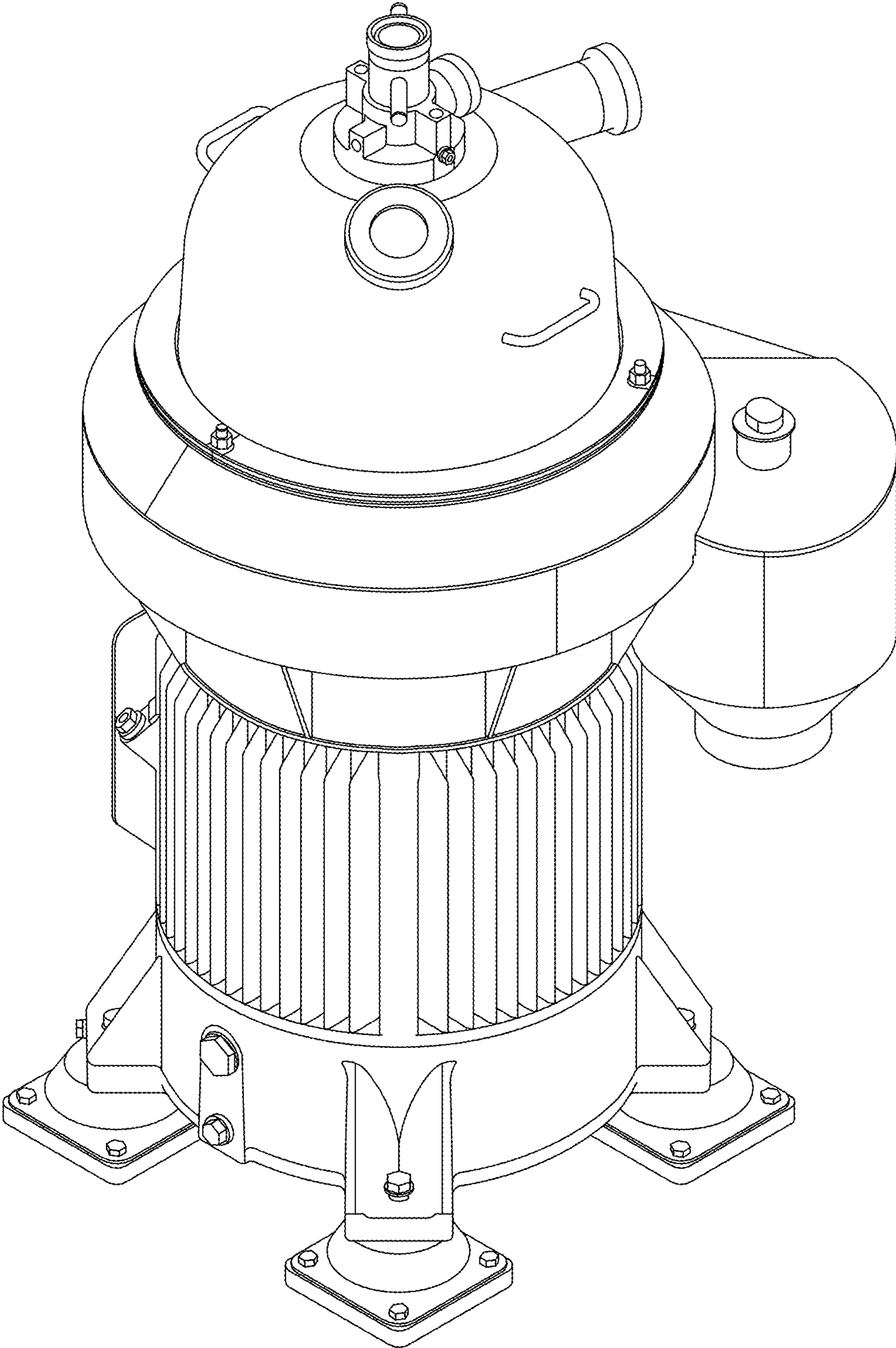


FIG. 7