



US00D907668S

(12) **United States Design Patent**
Montgomery

(10) **Patent No.:** **US D907,668 S**

(45) **Date of Patent:** **** Jan. 12, 2021**

(54) **SPLASH GUARD**

(71) Applicant: **Frank Montgomery**, Lascassas, TN
(US)

(72) Inventor: **Frank Montgomery**, Lascassas, TN
(US)

(**) Term: **15 Years**

(21) Appl. No.: **29/702,795**

(22) Filed: **Aug. 22, 2019**

(51) **LOC (13) Cl.** **15-03**

(52) **U.S. Cl.**
USPC **D15/19; D15/28**

(58) **Field of Classification Search**
USPC D15/28, 19, 9.1, 21, 199
CPC E04G 21/00; E04G 21/04; B28C 5/00;
B28C 3/00; B23Q 11/08
See application file for complete search history.

(56) **References Cited**

U.S. PATENT DOCUMENTS

- 418,719 A * 1/1890 Hepburn B01D 29/085
210/406
- 2,940,298 A * 6/1960 Joseph E04G 21/20
52/749.13
- 3,610,349 A * 10/1971 Dempsey B23Q 11/08
175/209
- D284,116 S * 6/1986 Linde D15/13
- D284,382 S * 6/1986 Black D15/13
- D287,615 S * 1/1987 Pritchitt D23/248
- D287,996 S * 1/1987 Carder, Sr. D23/227
- 4,986,371 A * 1/1991 Lowe B23Q 11/08
173/171
- 5,460,301 A 10/1995 Ebinger et al.
- D395,195 S * 6/1998 Heiberg D7/387
- 5,868,180 A 2/1999 Hendrickson
- 6,427,869 B1 8/2002 Corbett
- 6,527,301 B1 * 3/2003 Bathey F16L 57/005
138/96 R
- D536,436 S * 2/2007 Nishizawa D23/393

- D537,520 S * 2/2007 Nishizawa D23/393
- 7,810,845 B2 * 10/2010 Knappmiller F16L 57/005
285/18
- 8,443,562 B2 * 5/2013 Paul E02D 27/28
52/295
- D739,442 S * 9/2015 Schroeder D15/9.1
- D772,303 S * 11/2016 Schroeder D15/9.1
- 9,992,971 B2 * 6/2018 McKinnon A01K 5/0128

(Continued)

FOREIGN PATENT DOCUMENTS

- CN 204343867 U 5/2015
- CN 106368433 A 2/2017
- CN 206205453 U 5/2017

OTHER PUBLICATIONS

Multidirectional supercharging splash-proof concrete injection device. Patent Translation [online]. Google Patents [retrieved on Aug. 30, 2018]. Retrieved from the Internet: <URL: <https://patents.google.com/patent/CN204343687U/en?q=concrete+pump+splash&page=1>>.

(Continued)

Primary Examiner — Mark A Goodwin

(74) *Attorney, Agent, or Firm* — Cramer Patent & Design, PLLC; Aaron R. Cramer

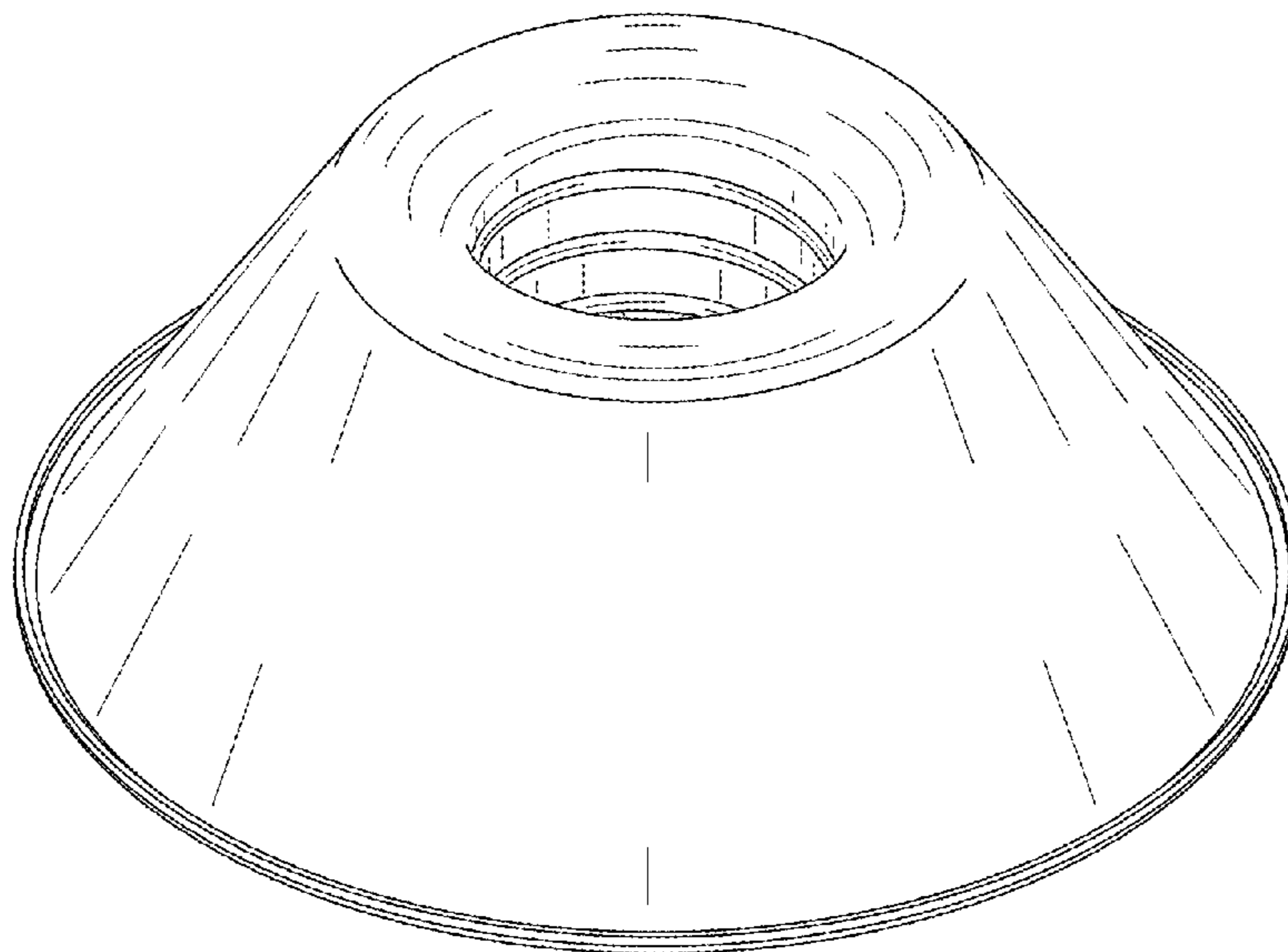
(57) **CLAIM**

The ornamental design for a splash guard, as shown and described.

DESCRIPTION

FIG. 1 is a perspective top front view of a splash guard, showing my new design;
FIG. 2 is a perspective bottom rear view thereof;
FIG. 3 is a side elevation view thereof;
FIG. 4 is a top plan view thereof; and,
FIG. 5 is a bottom plan view thereof.

1 Claim, 5 Drawing Sheets



(56)

References Cited

U.S. PATENT DOCUMENTS

D874,222 S * 2/2020 Saubert D7/412
2002/0124694 A1 * 9/2002 Vandiver B23Q 11/08
82/52

OTHER PUBLICATIONS

Protected against splashing water concrete ground pump sieving mechanism. Patent Translation [online]. Google Patents [retrieved on Aug. 30, 2018]. Retrieved from the Internet: <URL: <https://patents.google.com/patent/CN206205453U/en?q=concrete+pump+splash>>.

Anti-splashing concrete pump screening device. Patent Translation [online]. Google Patents [retrieved on Aug. 30, 2018]. Retrieved from the Internet: <URL: <https://patents.google.com/patent/CN106368433A/en?q=concrete+pump+splash>>.

* cited by examiner

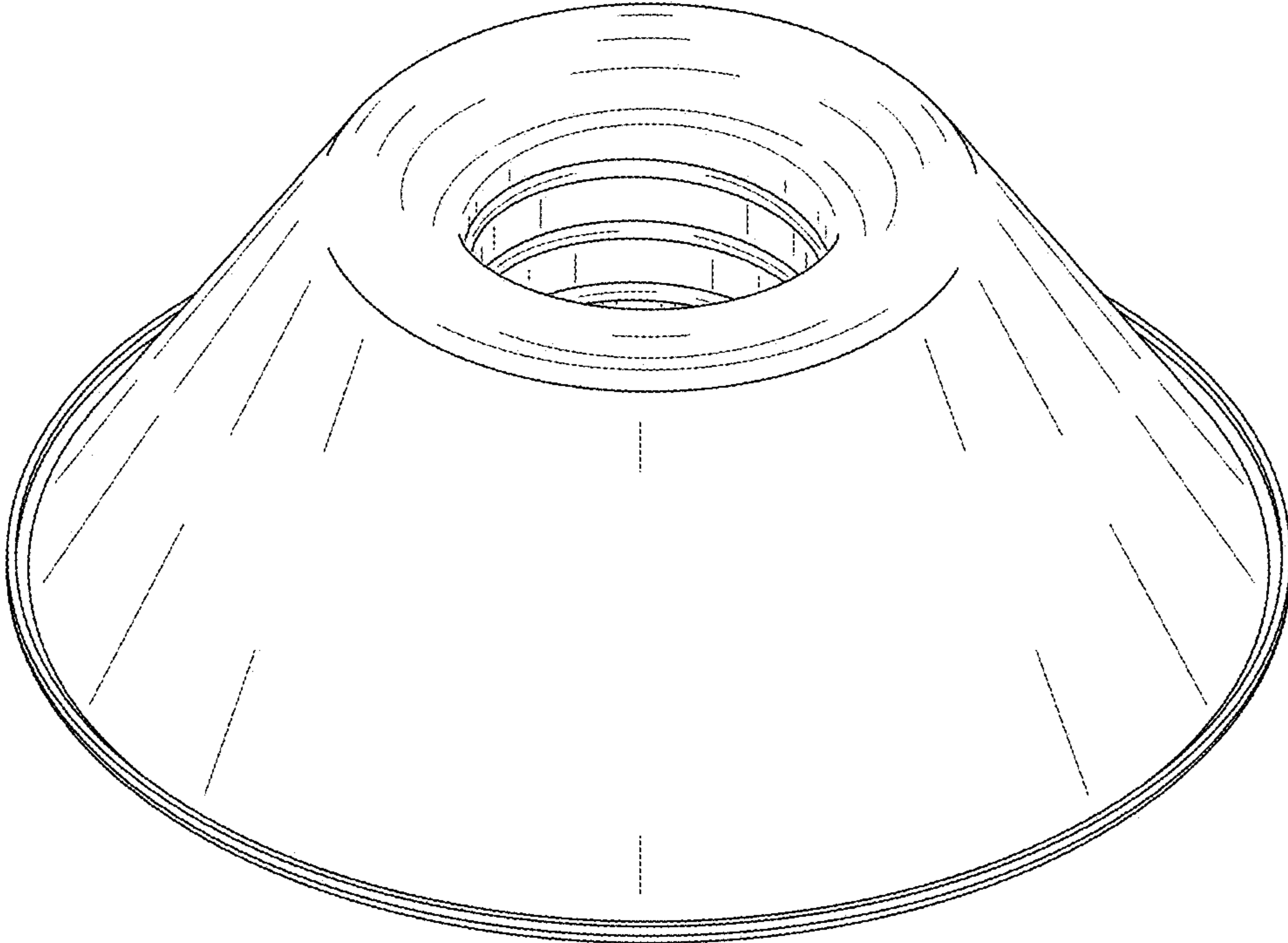


FIG. 1

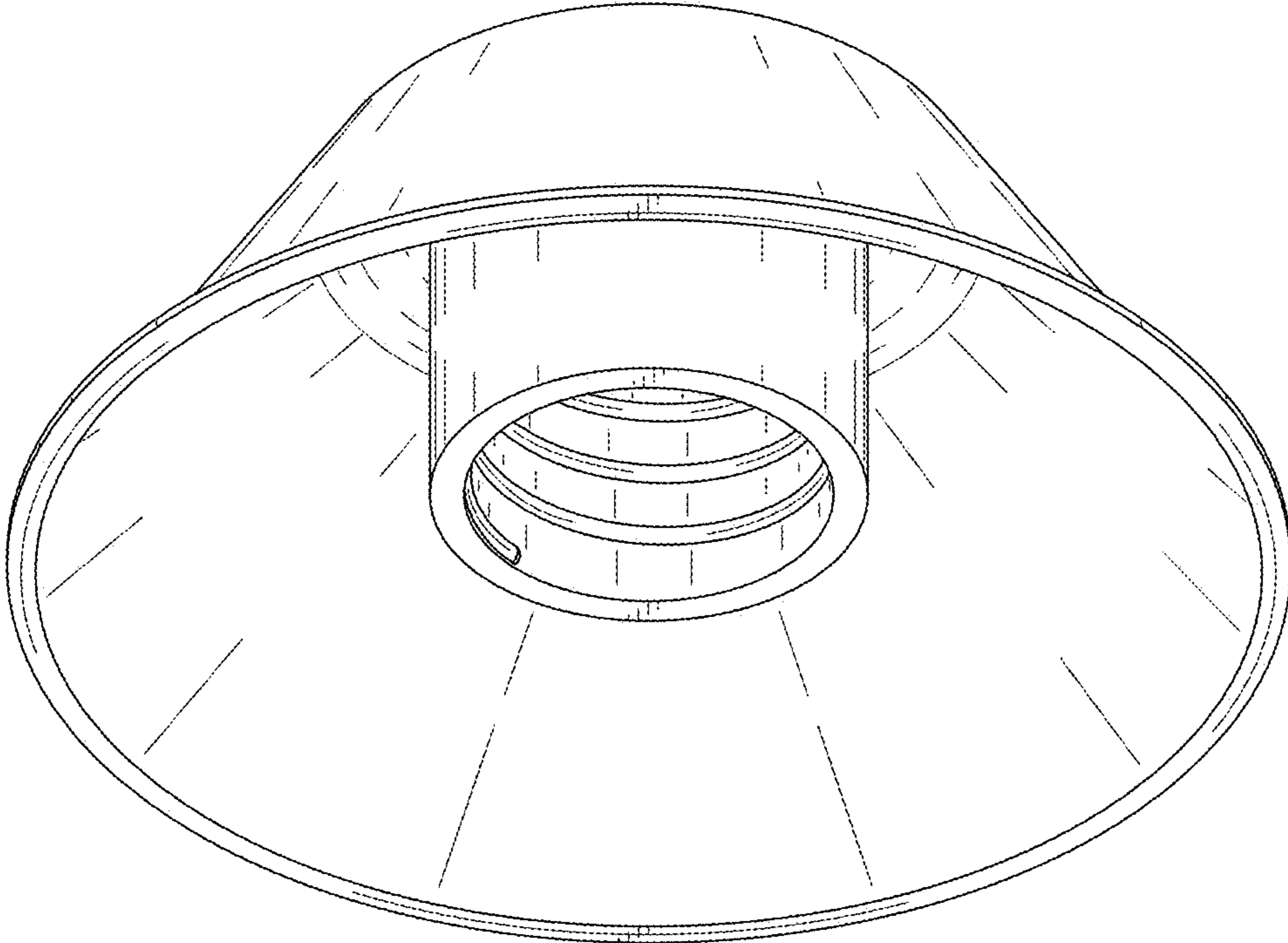


FIG. 2

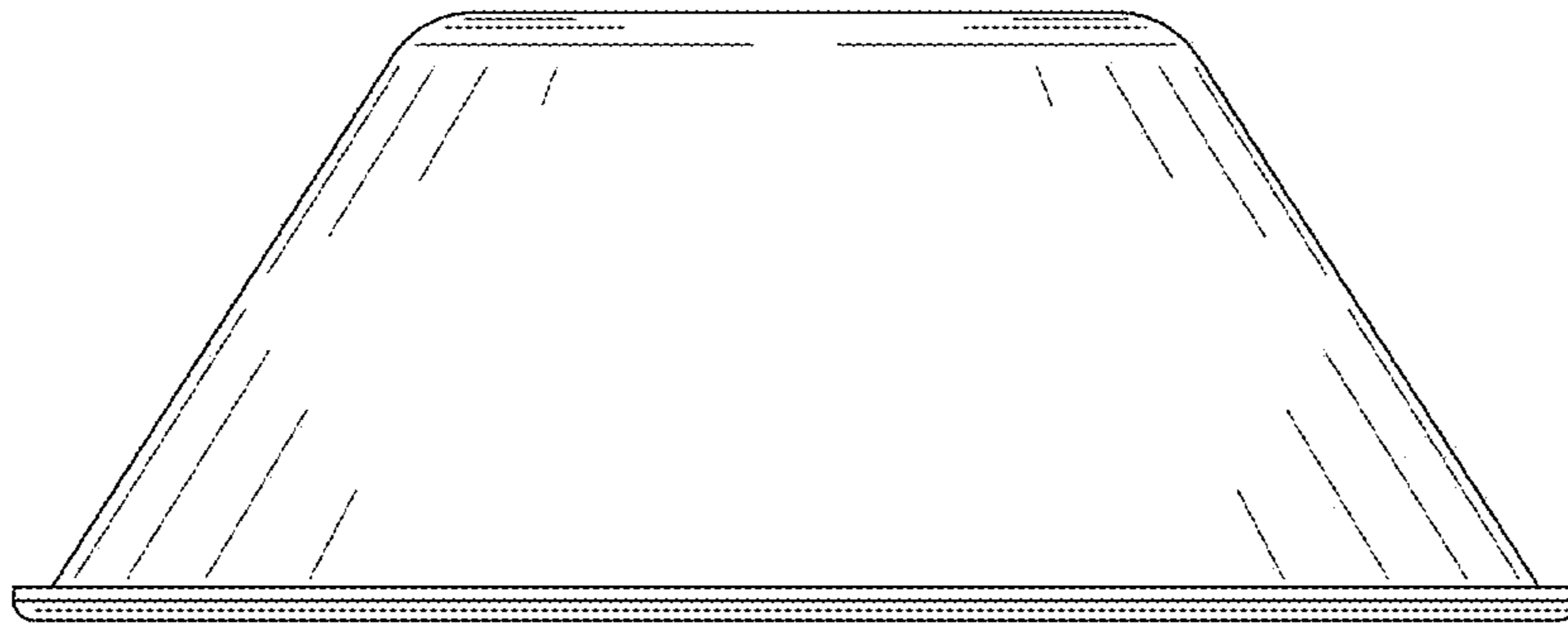


FIG. 3

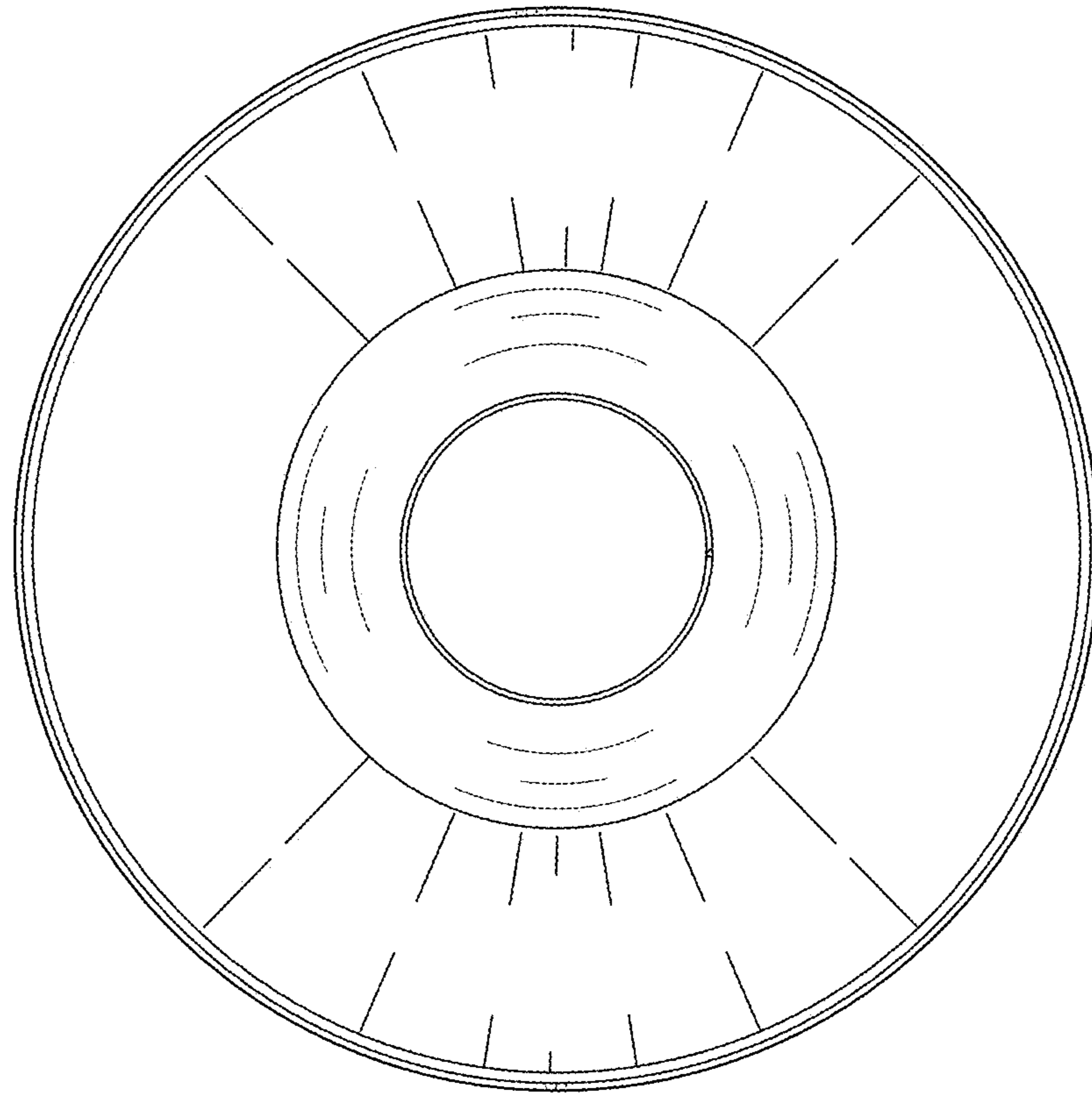


FIG. 4

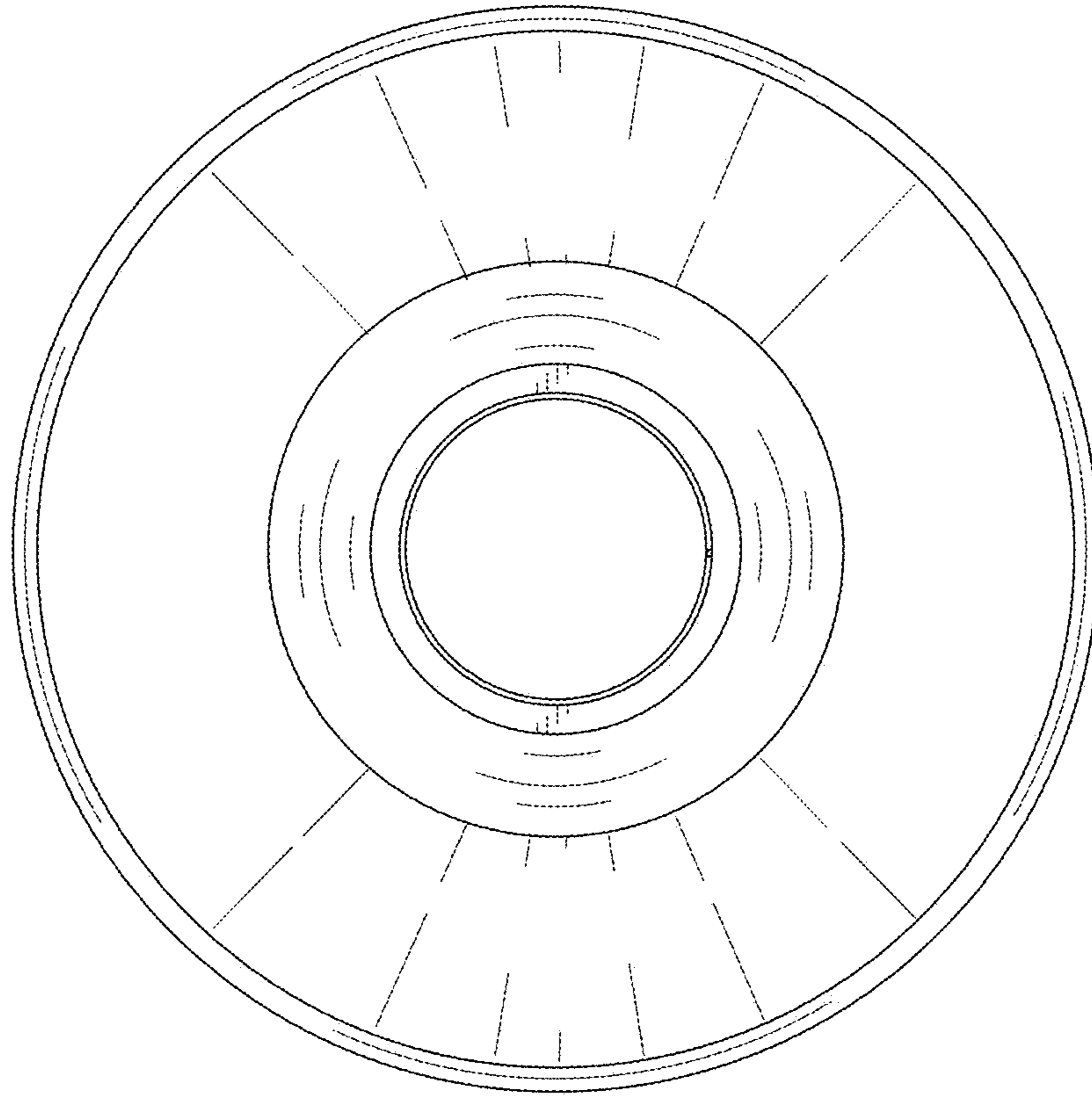


FIG. 5