



US00D907667S

(12) **United States Design Patent** (10) **Patent No.:** **US D907,667 S**  
**Kanare** (45) **Date of Patent:** **\*\* Jan. 12, 2021**

(54) **MIXING MANIFOLD**  
(71) Applicant: **KOSTER American Corporation,**  
Virginia Beach, VA (US)  
(72) Inventor: **Howard Kanare,** Virginia Beach, VA  
(US)  
(73) Assignee: **KOSTER American Corporation,**  
Virginia Beach, VA (US)  
(\*\*) Term: **15 Years**  
(21) Appl. No.: **29/677,602**  
(22) Filed: **Jan. 22, 2019**  
(51) **LOC (13) Cl.** ..... **15-03**  
(52) **U.S. Cl.**  
USPC ..... **D15/19; D15/10**  
(58) **Field of Classification Search**  
USPC ..... D15/10, 19, 122, 199; 366/14, 18, 25,  
366/27, 37; 414/21, 332  
CPC ..... B28C 7/04; B28C 7/00; B28C 7/0495;  
B28C 7/0486; B28C 9/0418; B65D  
88/30; Y10S 414/132  
See application file for complete search history.

D552,627 S \* 10/2007 Watson ..... D15/19  
D555,672 S \* 11/2007 Watson ..... D15/19  
D588,166 S \* 3/2009 Lyons, III ..... D15/19  
D671,563 S \* 11/2012 Moretto ..... D15/28  
D671,564 S \* 11/2012 Moretto ..... D15/28  
D718,791 S \* 12/2014 Moretto ..... D15/10  
D742,428 S \* 11/2015 Barry ..... D15/28  
D760,807 S \* 7/2016 Sutton ..... D15/19

\* cited by examiner

*Primary Examiner* — Mark A Goodwin

(74) *Attorney, Agent, or Firm* — Millen, White, Zelano & Branigan, PC; Ryan Pool

(57) **CLAIM**

The ornamental design for a mixing manifold, as shown and described.

**DESCRIPTION**

FIG. 1 is a top perspective view of the mixing manifold showing my new design.  
FIG. 2 is a bottom perspective view thereof.  
FIG. 3 is a back view thereof.  
FIG. 4 is a front view thereof.  
FIG. 5 is a side view thereof.  
FIG. 6 is another side view thereof.  
FIG. 7 is a top view thereof; and,  
FIG. 8 is a bottom view thereof.

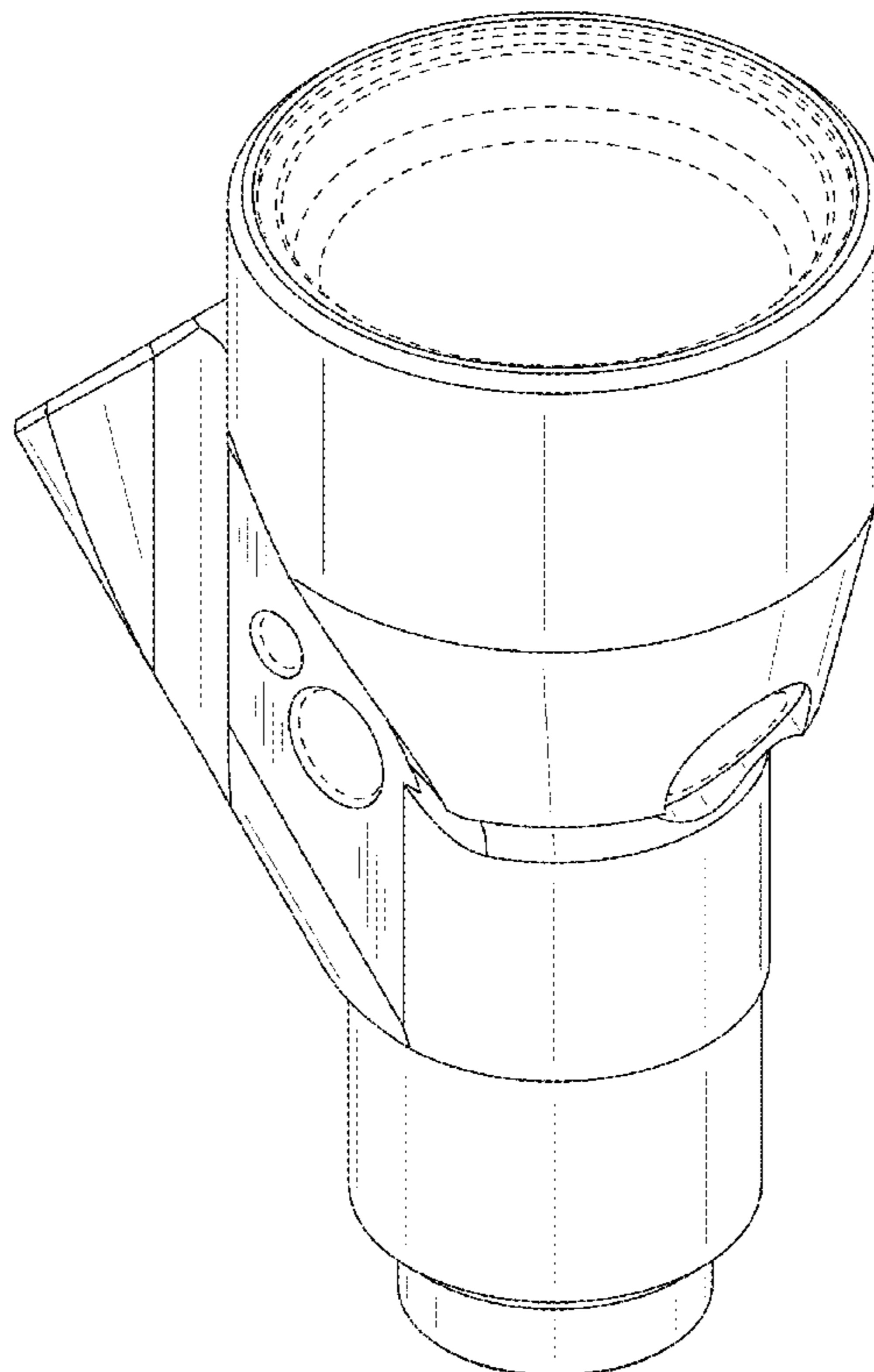
The broken lines in the drawings illustrate portions of the mixing manifold which form no part of the claimed design.

**1 Claim, 8 Drawing Sheets**

(56) **References Cited**

**U.S. PATENT DOCUMENTS**

D322,972 S \* 1/1992 St Ama ..... D15/19  
D324,688 S \* 3/1992 St Ama ..... D15/19  
6,027,038 A \* 2/2000 Frankoski ..... B01F 7/00141  
138/141



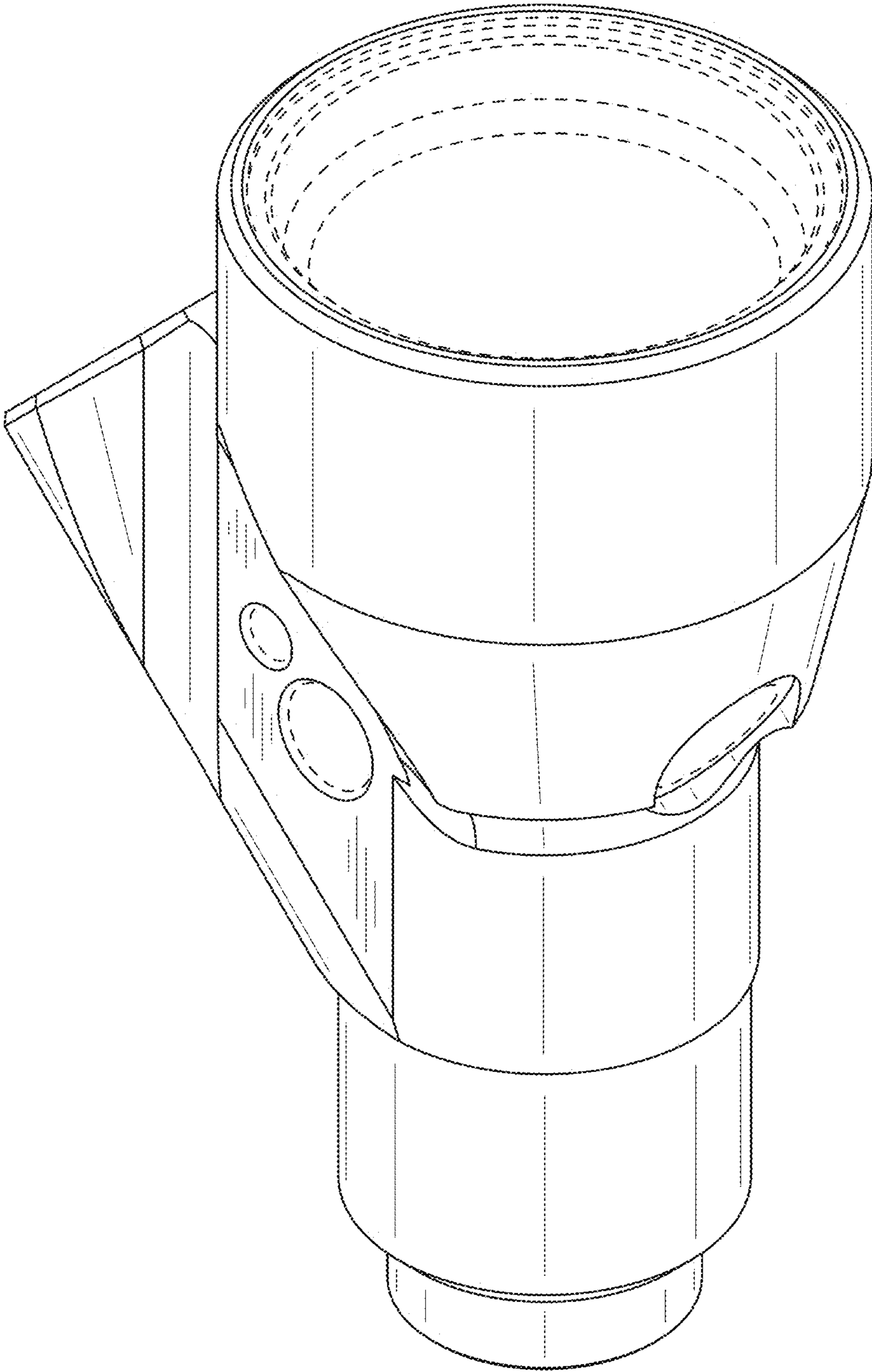


FIG. 1

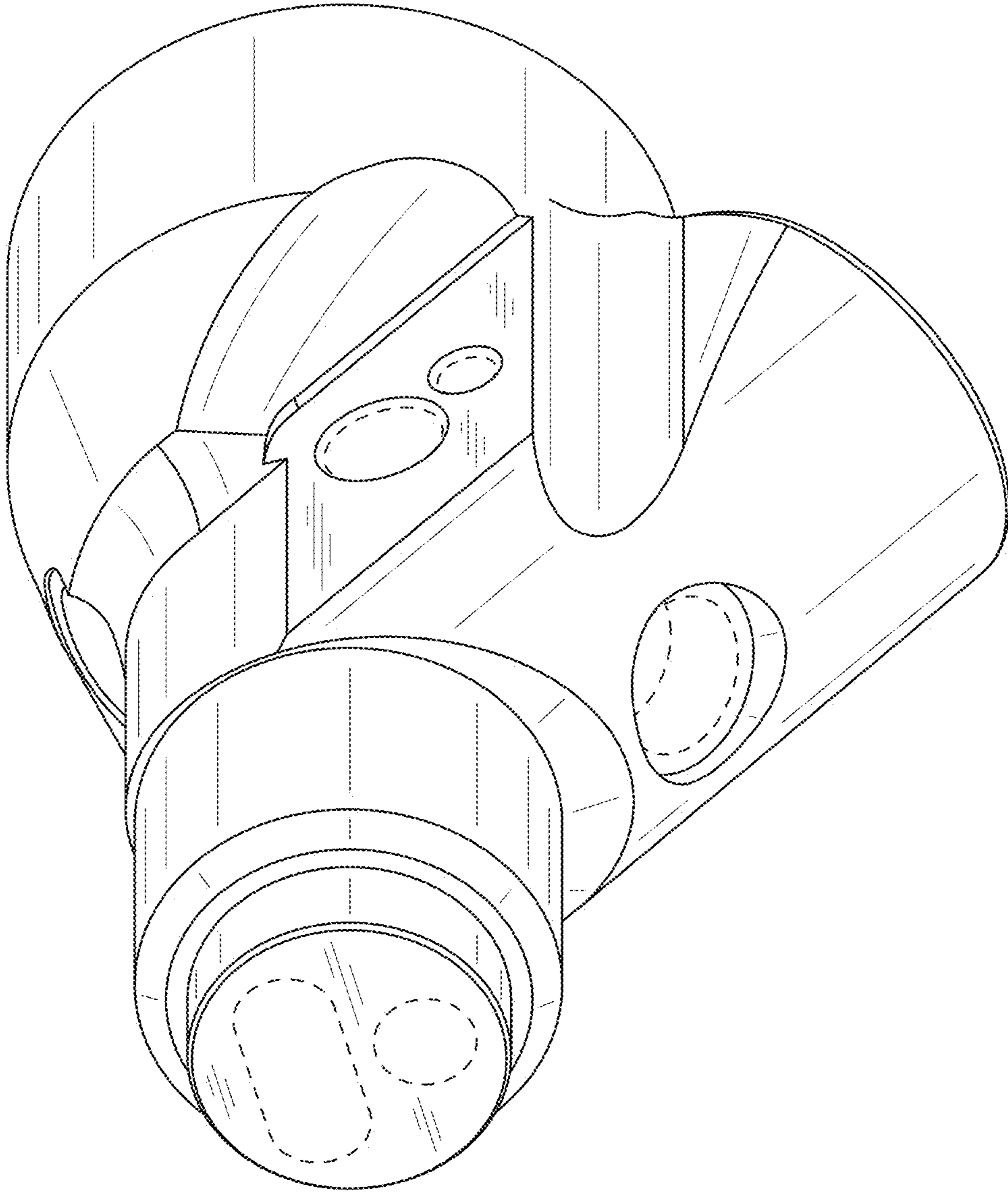


FIG. 2

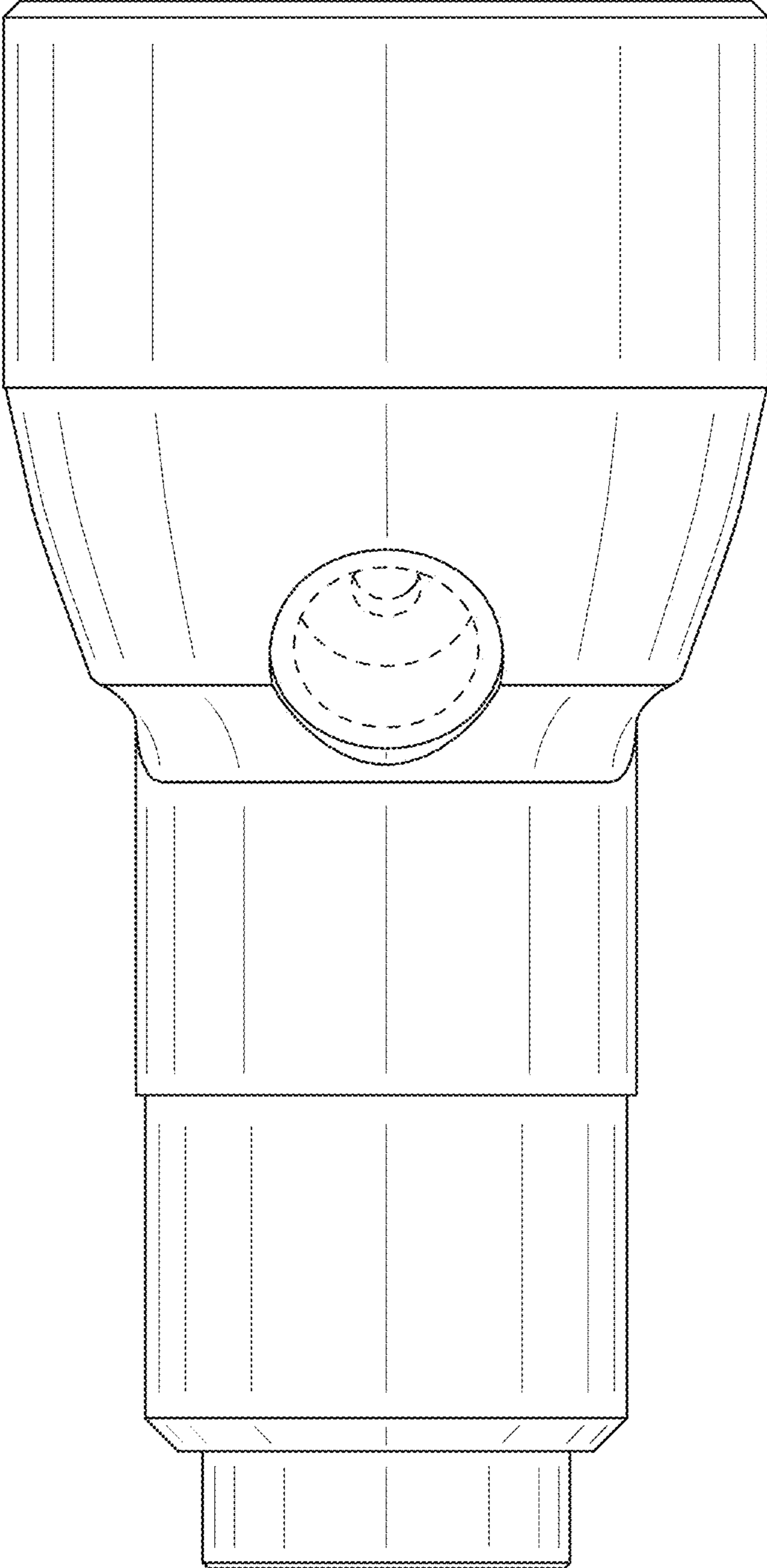


FIG. 3

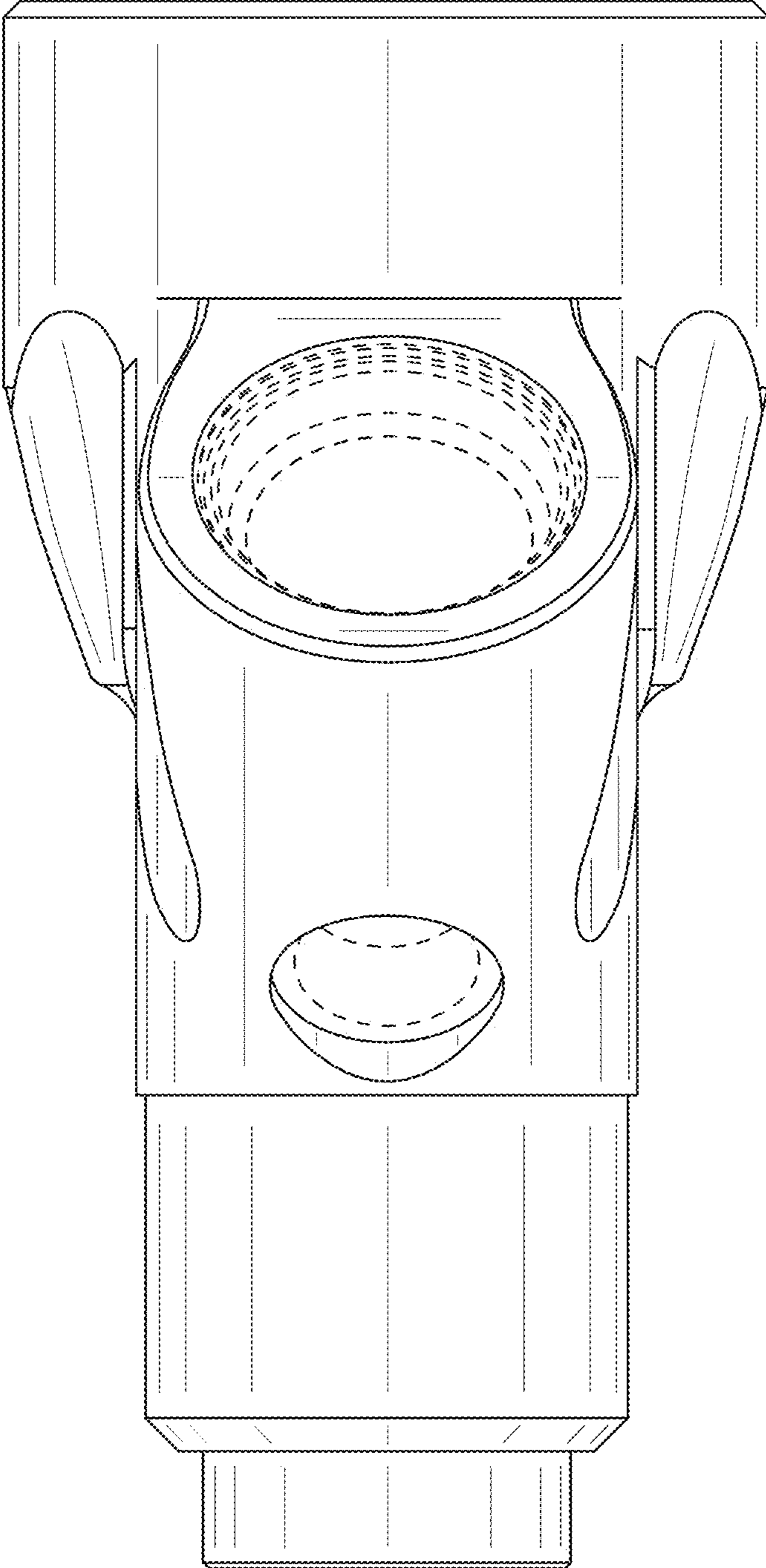


FIG. 4

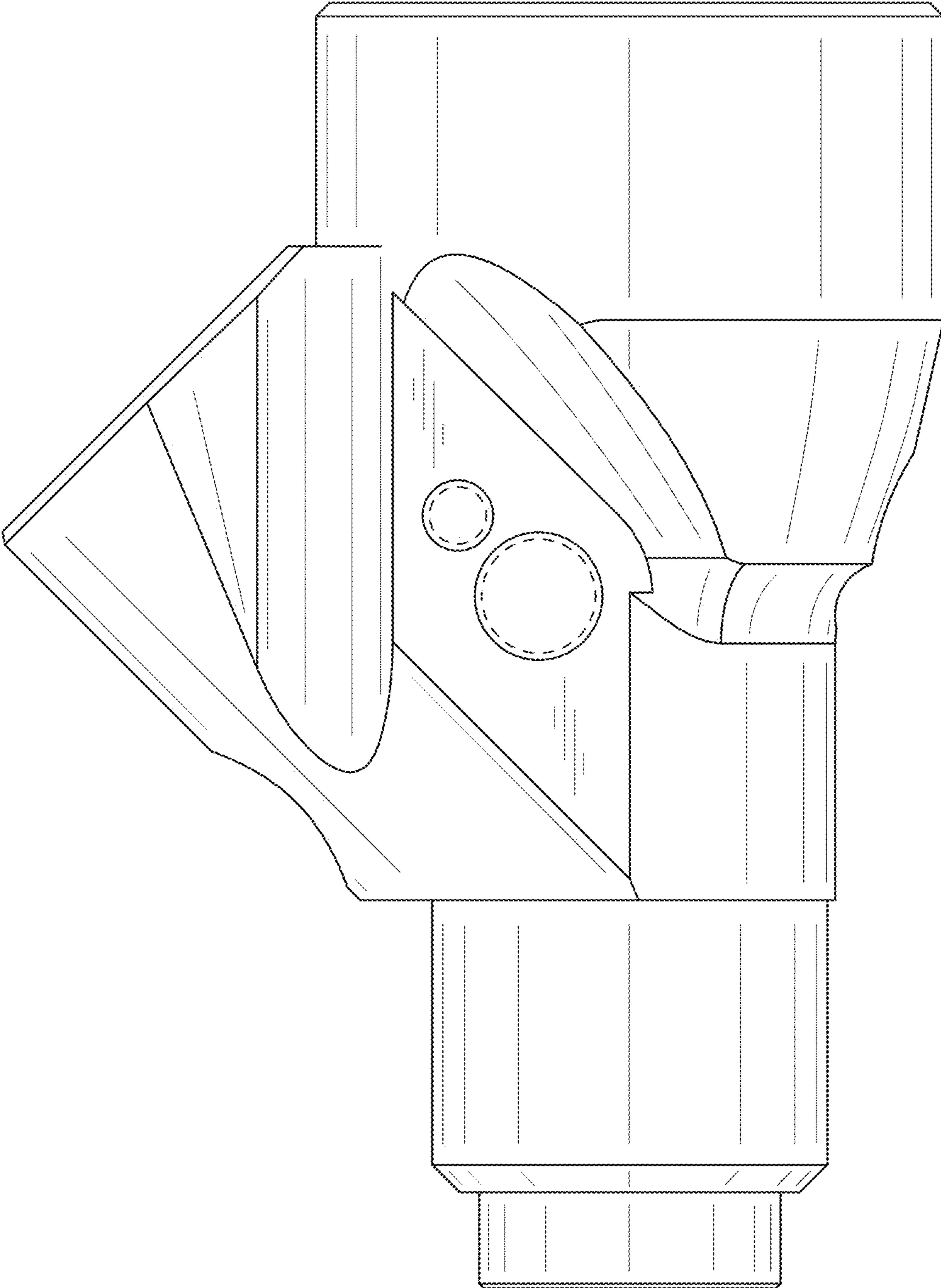


FIG. 5

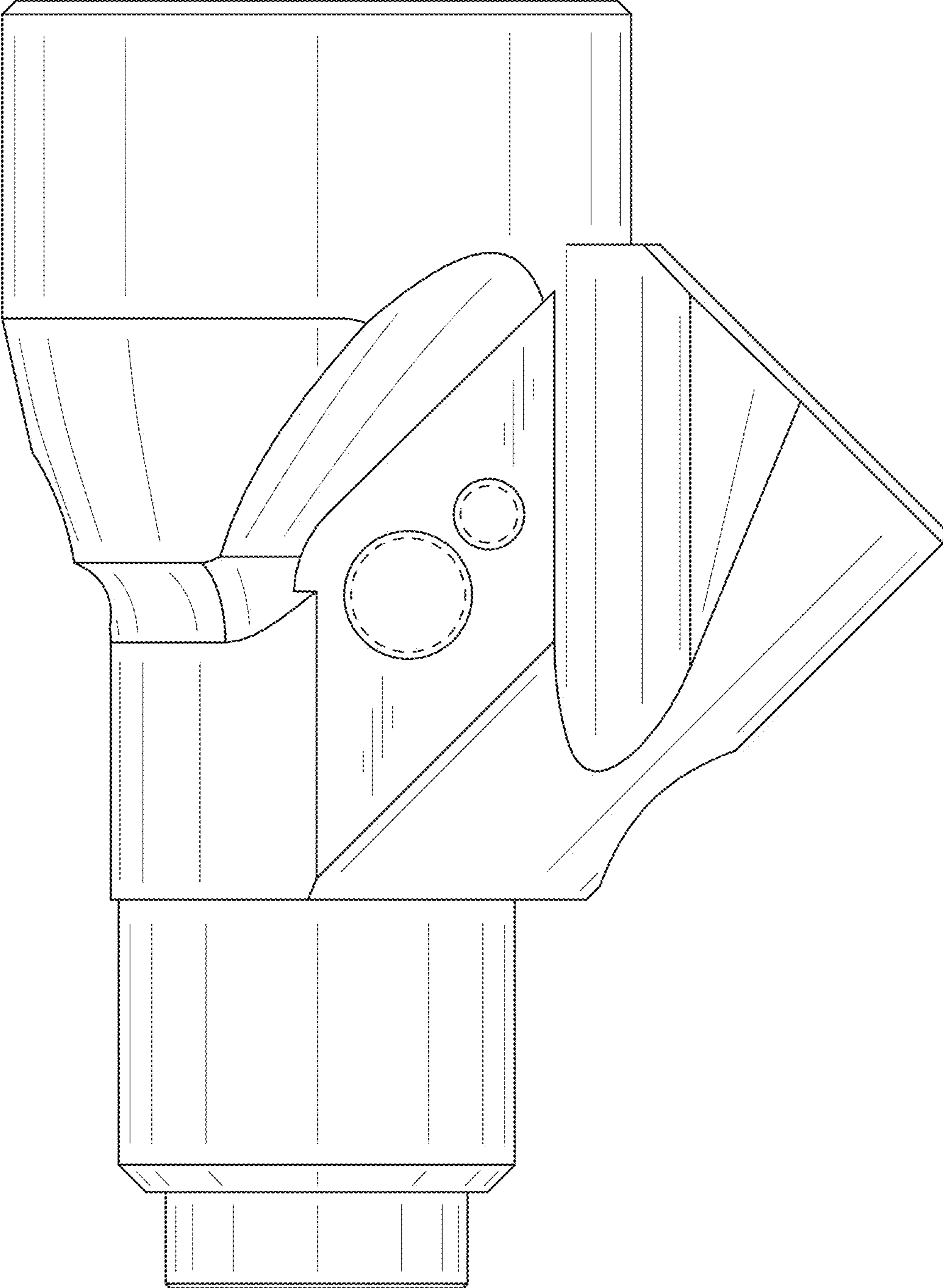


FIG. 6

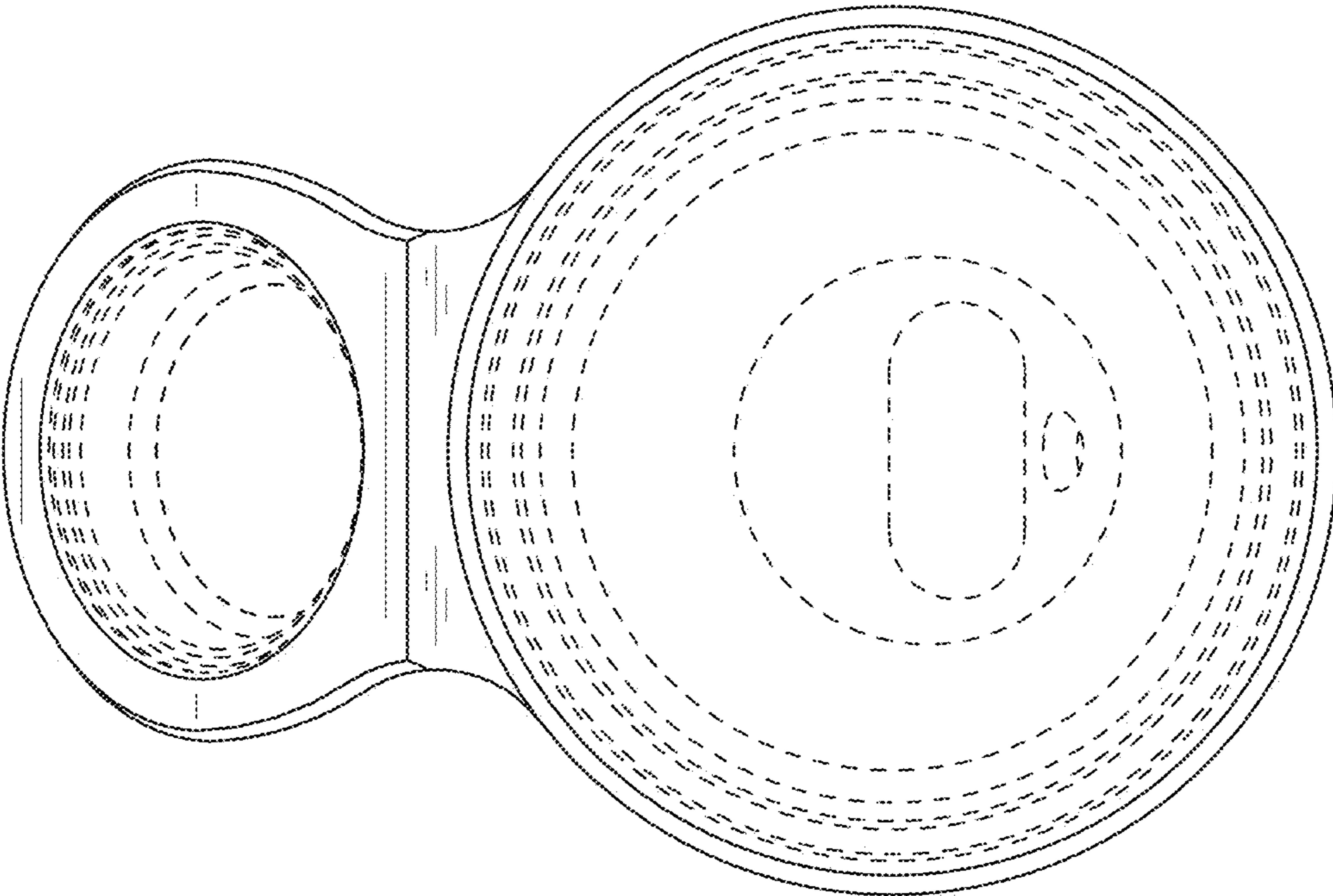


FIG. 7



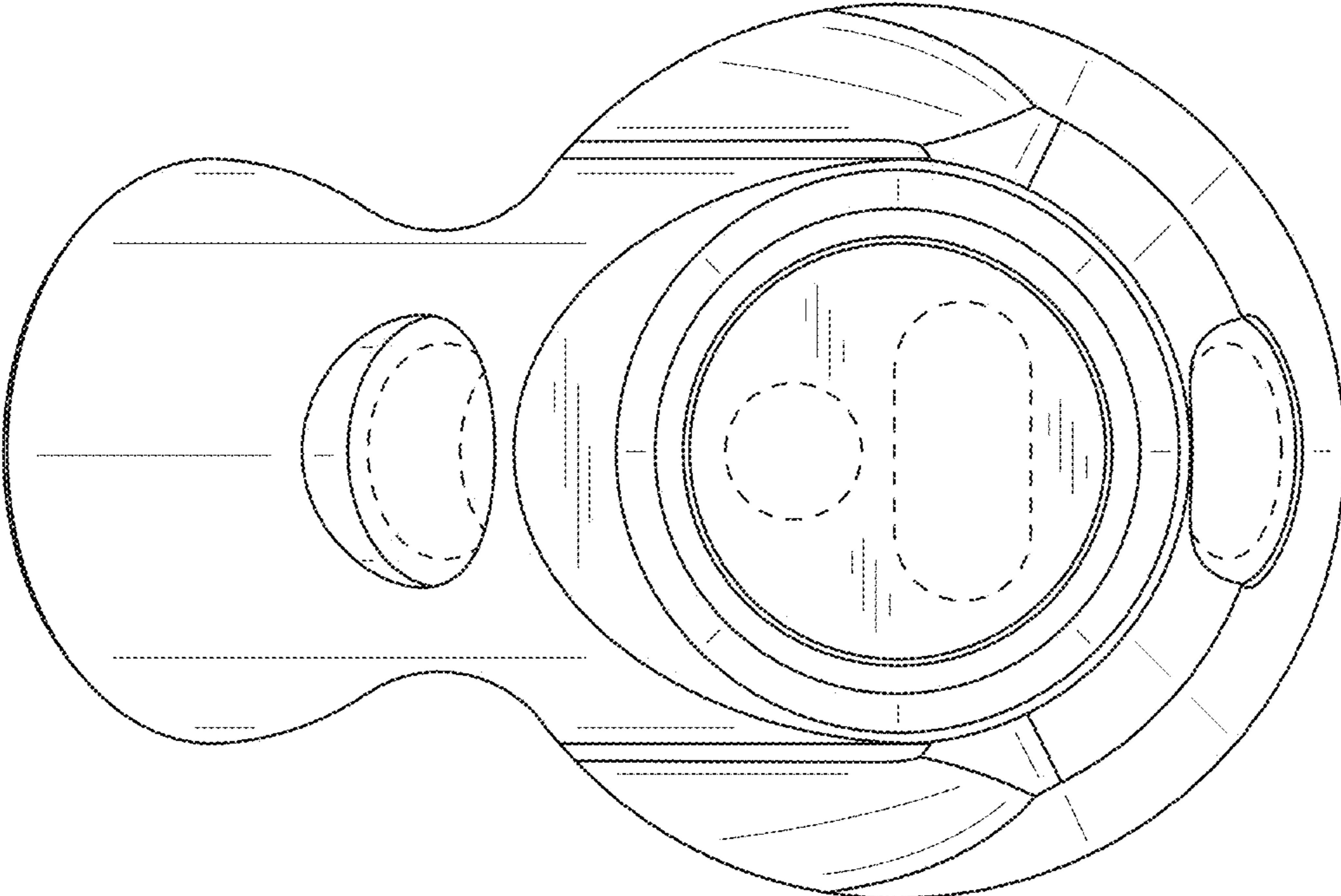


FIG. 8