



US00D907666S

(12) **United States Design Patent**  
**Dai et al.**

(10) **Patent No.:** **US D907,666 S**  
(45) **Date of Patent:** **\*\* Jan. 12, 2021**

(54) **MOWER**

(71) Applicant: **MAKITA CORPORATION**, Anjo (JP)

(72) Inventors: **Shusheng Dai**, Jiangsu (CN); **Qinzhou Jiang**, Jiangsu (CN); **Xianming Li**, Jiangsu (CN)

(73) Assignee: **MAKITA CORPORATION**, Anjo (JP)

(\*\*) Term: **15 Years**

(21) Appl. No.: **29/714,421**

(22) Filed: **Nov. 22, 2019**

(30) **Foreign Application Priority Data**

May 23, 2019 (JP) ..... 2019-011198

(51) **LOC (13) Cl.** ..... **15-03**

(52) **U.S. Cl.**  
USPC ..... **D15/14**

(58) **Field of Classification Search**

USPC ..... D15/10, 14-18; 56/12.8, 12.7, 13.4,  
56/16.7, 17.5, 202, 254, 255, 294, 11.4,  
56/320.1, 320.2, 249, 252, 11.9, 17.1,  
56/17.4, 295; 280/43.17

CPC .... A01D 42/04; A01D 42/00; A01D 2101/00;  
A01D 34/63; A01D 43/063

See application file for complete search history.

(56) **References Cited**

**U.S. PATENT DOCUMENTS**

- D330,210 S \* 10/1992 Sirois et al. .... D15/14
- 5,251,711 A \* 10/1993 Meyer et al. .... A47L 5/28  
180/19.1
- D384,083 S \* 9/1997 Hinklin ..... D15/14
- D421,265 S \* 2/2000 Ohsumi et al. .... D15/14
- D449,840 S \* 10/2001 Concari et al. .... D15/14
- D450,064 S \* 11/2001 Concari ..... D15/14
- D456,030 S \* 4/2002 Maeda ..... D15/14

- D489,734 S \* 5/2004 Lin ..... D15/14
- D497,918 S \* 11/2004 Osboume et al. .... D15/14
- D610,167 S \* 2/2010 Martin et al. .... D15/14
- D620,030 S \* 7/2010 Baetica ..... D15/14
- D622,291 S \* 8/2010 Martin et al. .... D15/14
- D628,598 S \* 12/2010 Neeley ..... D15/14
- D646,698 S \* 10/2011 Park ..... D15/14

(Continued)

*Primary Examiner* — Mark A Goodwin

(74) *Attorney, Agent, or Firm* — Global IP Counselors, LLP

(57) **CLAIM**

The ornamental design for a mower, as shown and described.

**DESCRIPTION**

FIG. 1 is a front perspective view of a mower in accordance with our new design;

FIG. 2 is a rear perspective view of the mower in accordance with our new design;

FIG. 3 is a front elevational view of the mower in accordance with our new design;

FIG. 4 is a rear elevational view of the mower in accordance with our new design;

FIG. 5 is a top plan view of the mower in accordance with our new design;

FIG. 6 is a bottom plan view of the mower in accordance with our new design;

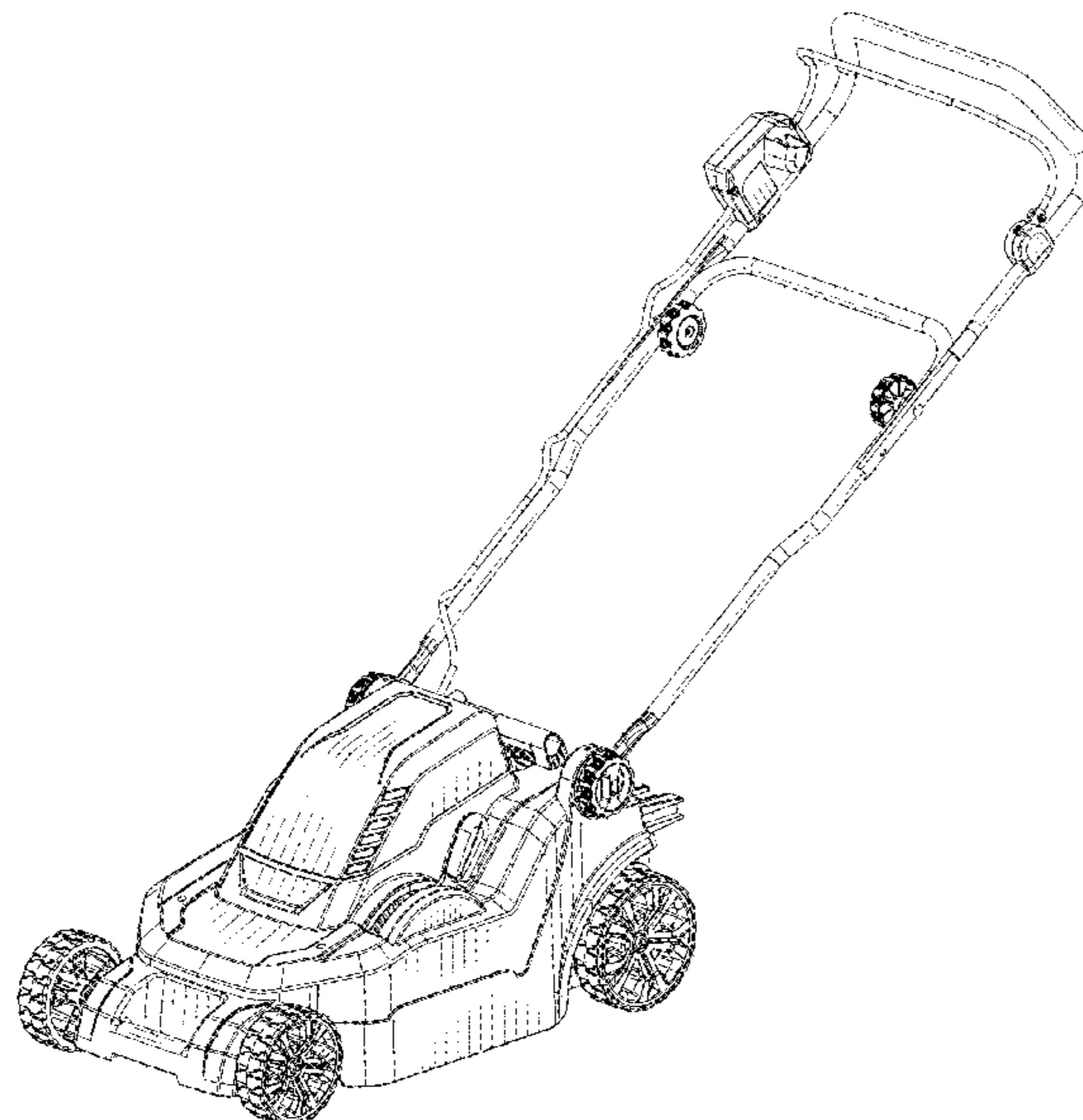
FIG. 7 is a right side elevational view of the mower in accordance with our new design;

FIG. 8 is a left side elevational view of the mower in accordance with our new design; and,

FIG. 9 is a front perspective view showing a state in which a grass collector is attached to the mower in accordance with our new design.

The broken line showing of environmental structures in the drawings forms no part of the claimed design.

**1 Claim, 9 Drawing Sheets**



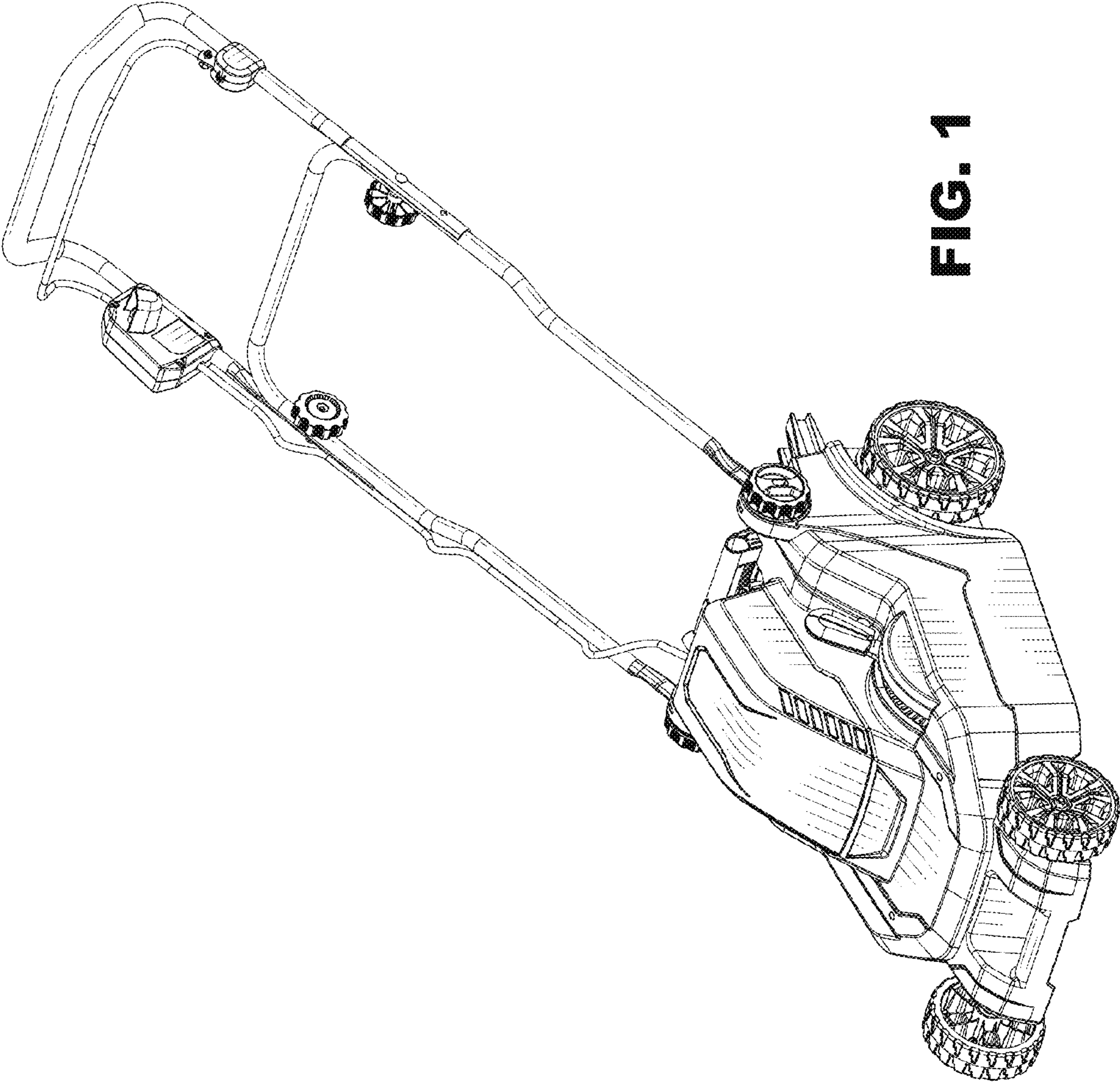
(56)

**References Cited**

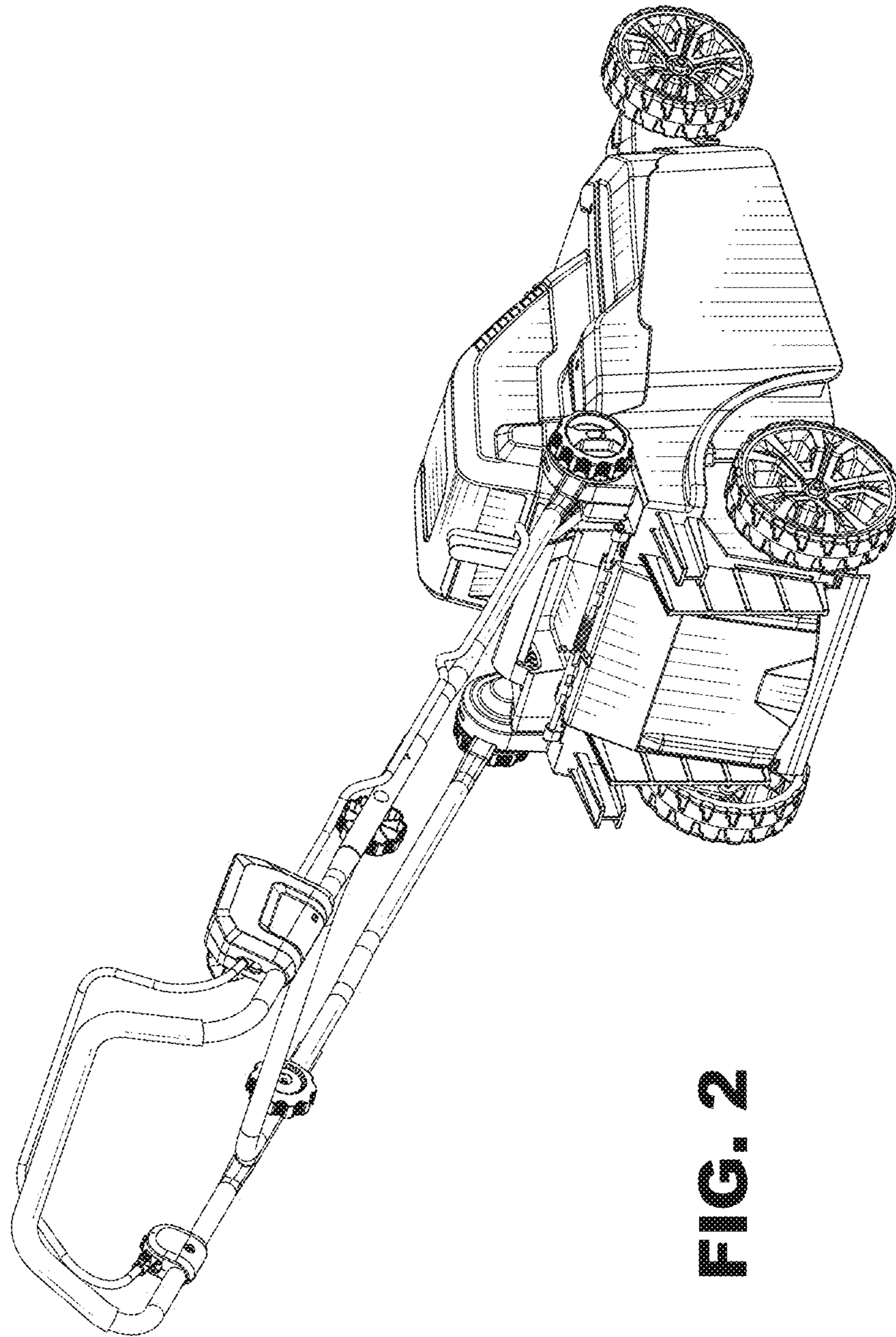
U.S. PATENT DOCUMENTS

D648,354 S	11/2011	Hattori et al.	
D652,846 S *	1/2012	Stratford .....	D15/14
D653,265 S *	1/2012	Stratford .....	D15/14
D665,823 S *	8/2012	Hannig .....	D15/14
D723,068 S *	2/2015	Qiu .....	D15/14
D725,155 S *	3/2015	McKay .....	D15/14
D726,227 S *	4/2015	Aglassinger .....	D15/14
D781,348 S *	3/2017	Pellenc .....	D15/14
D834,071 S *	11/2018	Naslund et al. ....	D15/14
D834,072 S *	11/2018	Naslund et al. ....	D15/14
D853,453 S *	7/2019	Suchoza et al. ....	D15/31

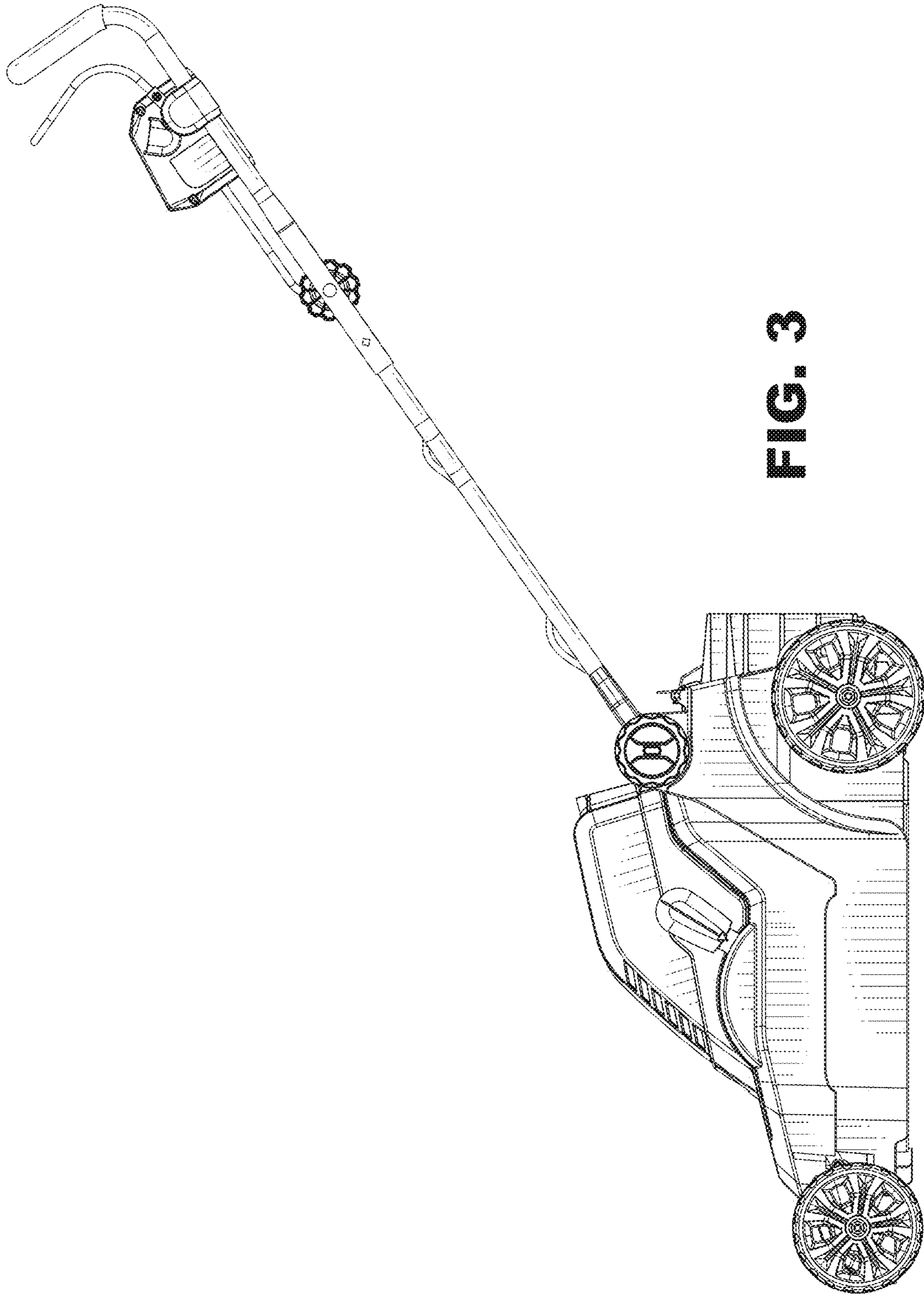
\* cited by examiner



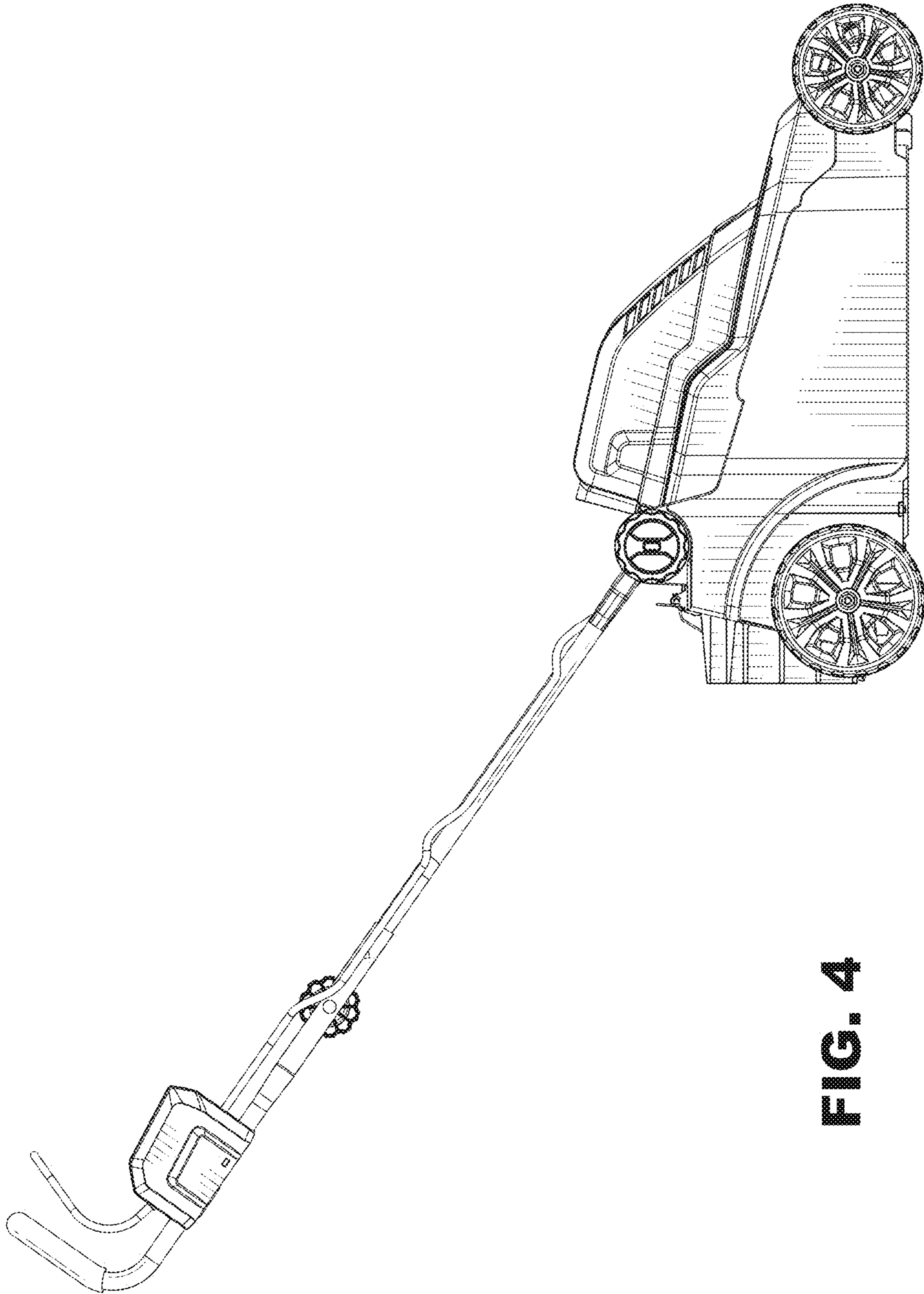
**FIG. 1**



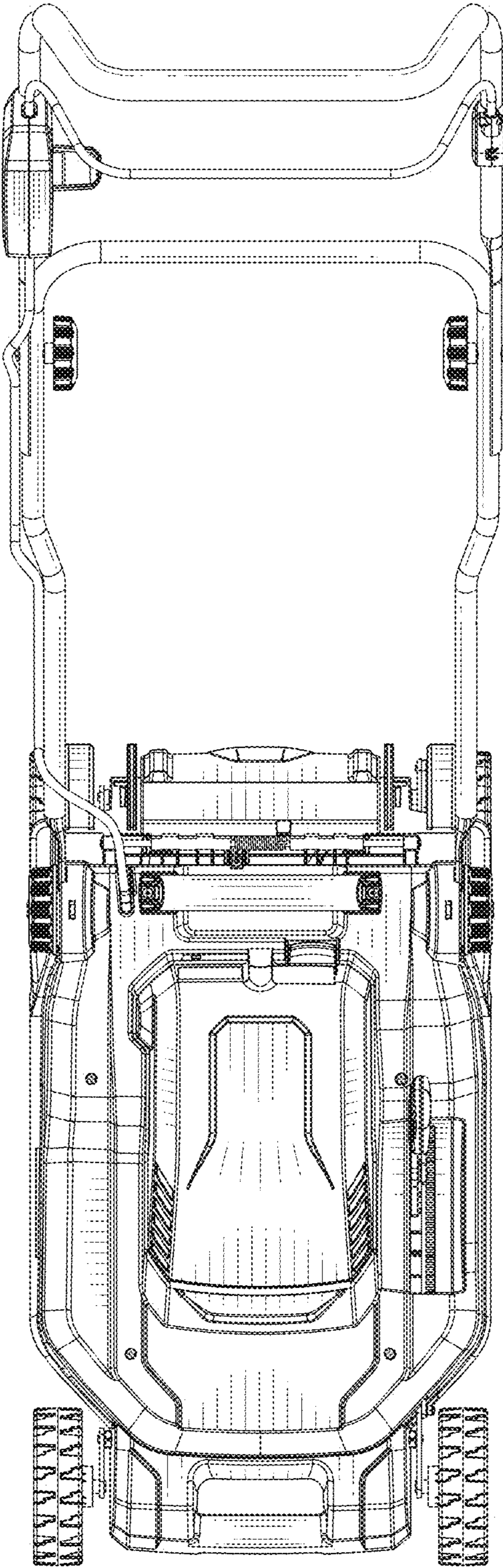
**FIG. 2**



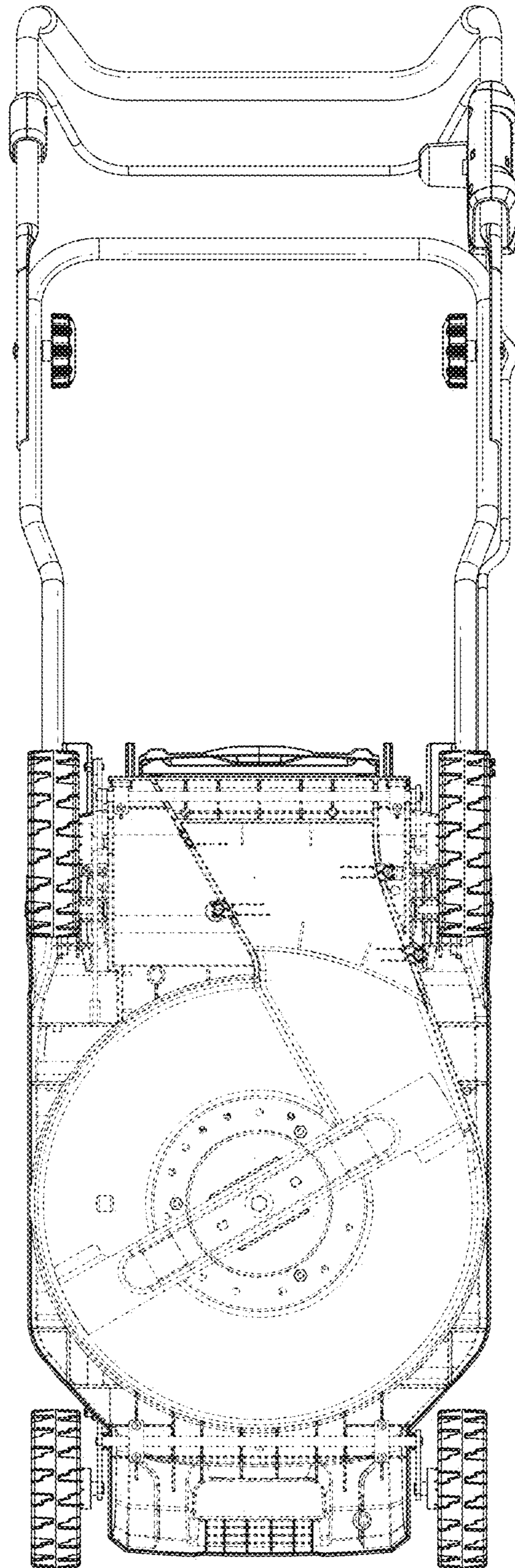
**FIG. 3**



**FIG. 4**

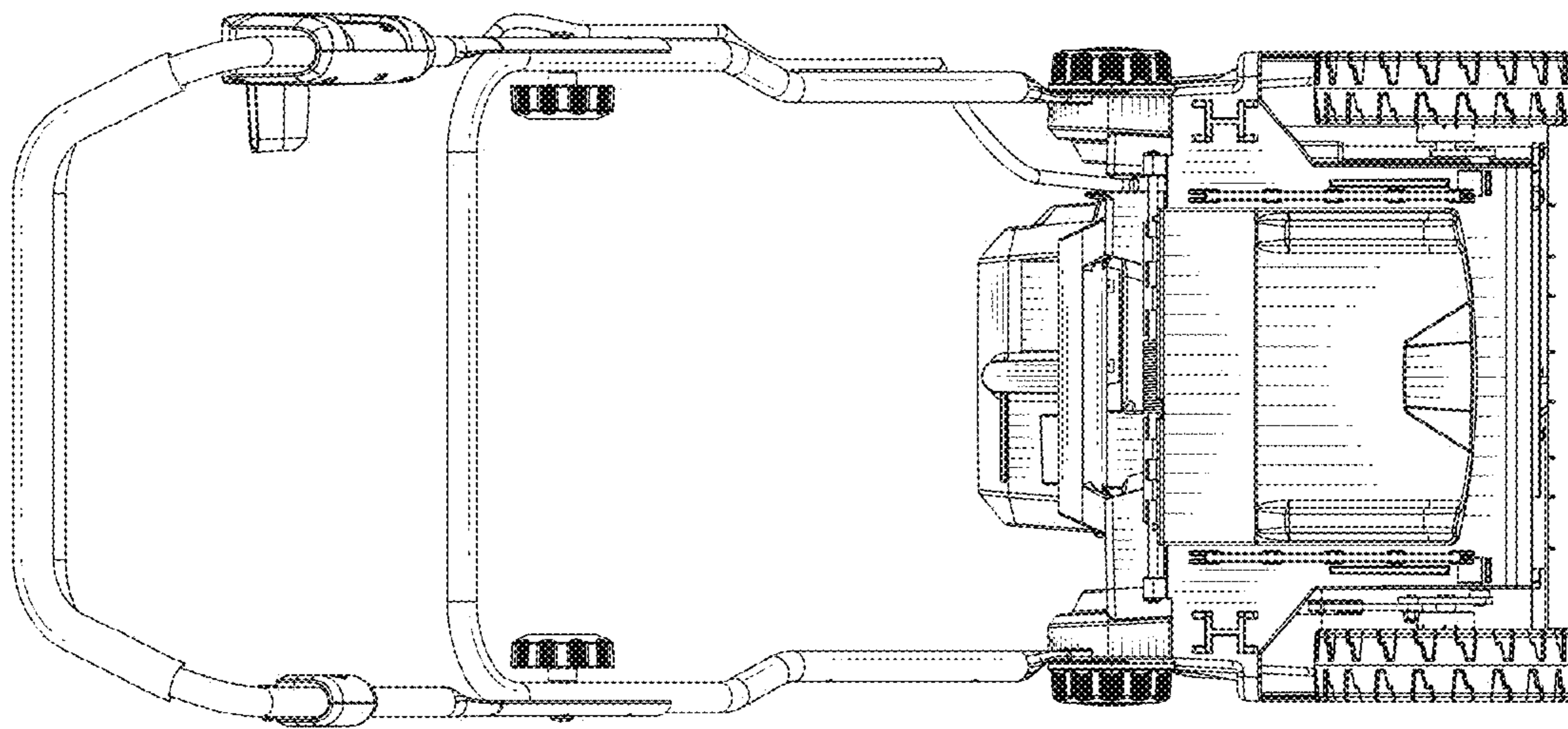


**FIG. 5**

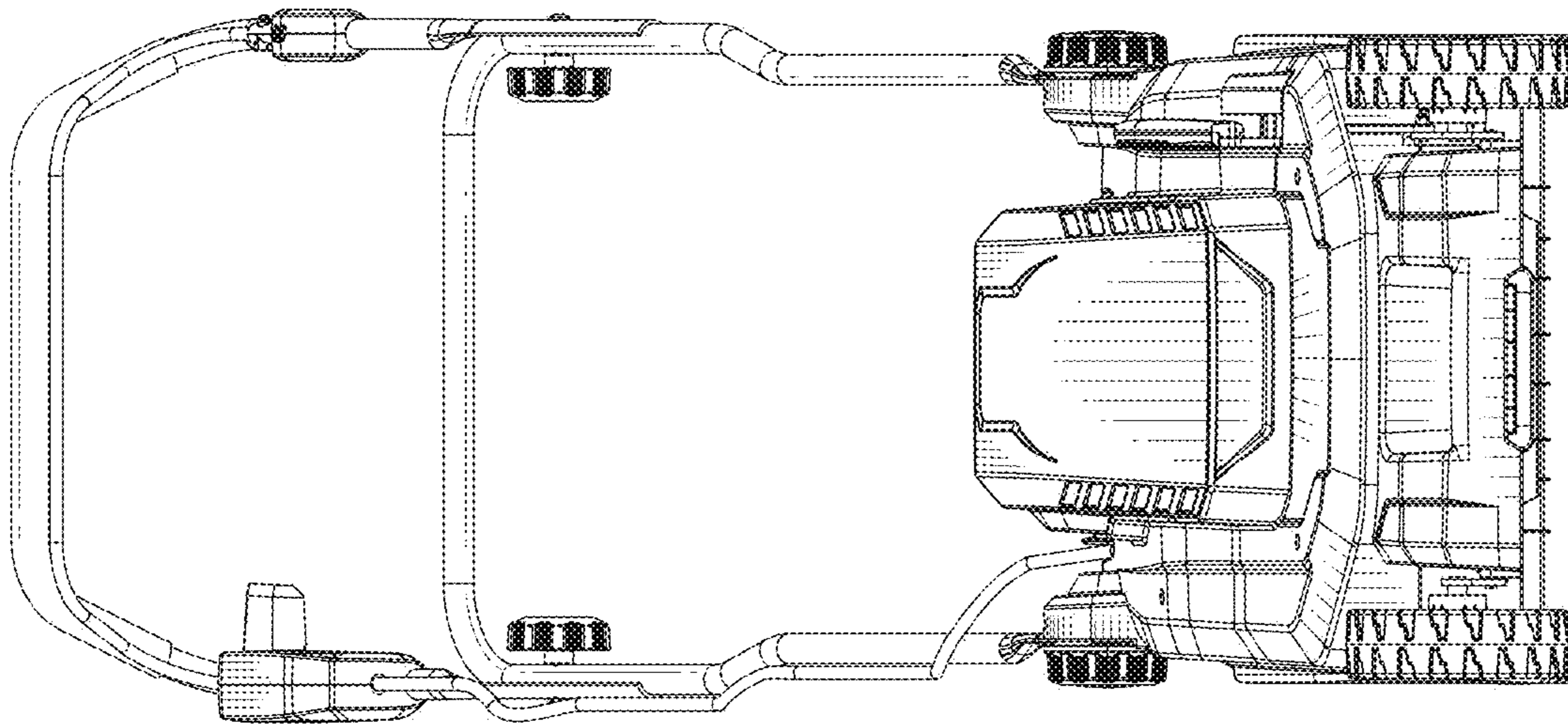


**FIG. 6**

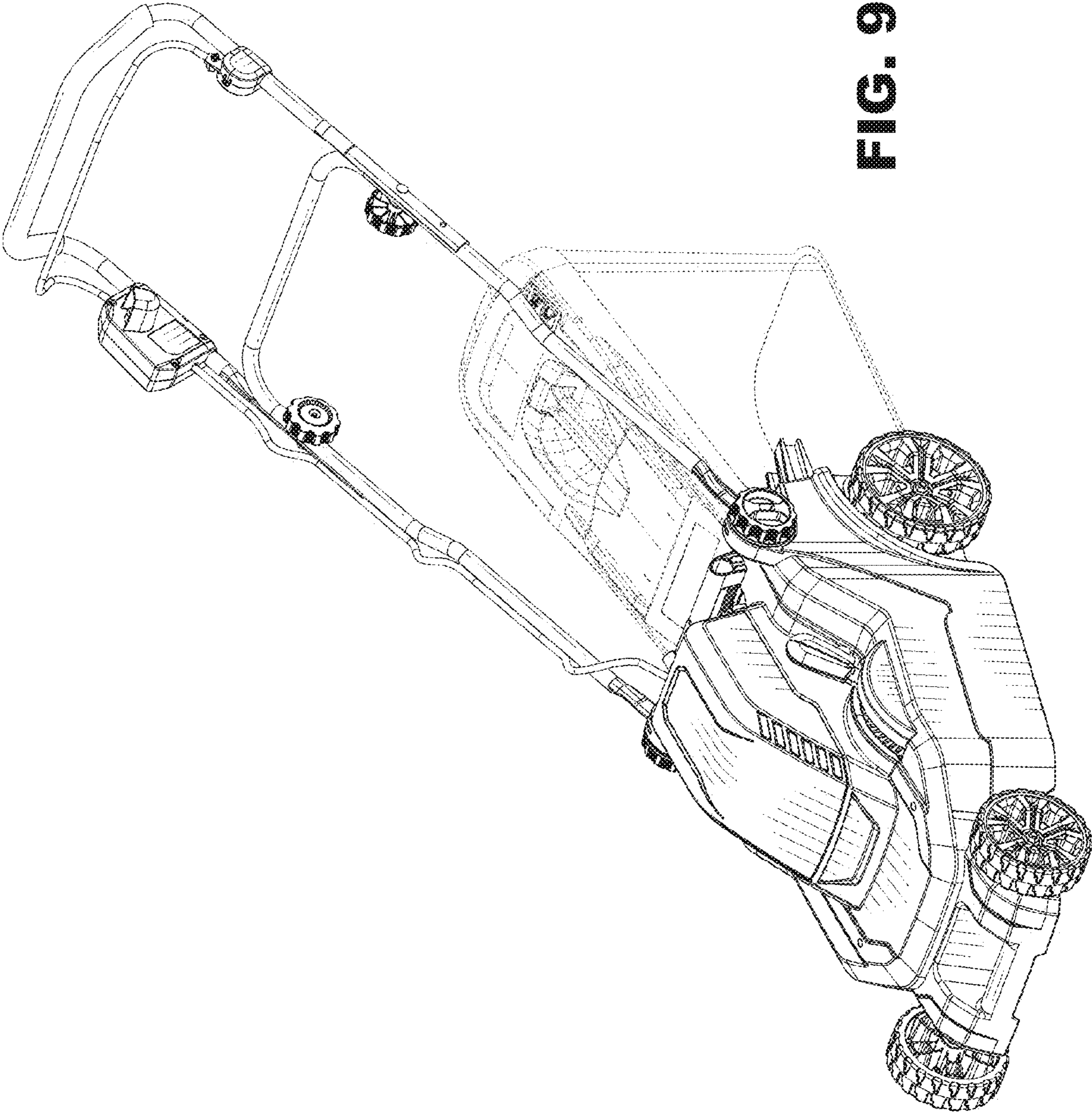




**FIG. 7**



**FIG. 8**



**FIG. 9**