



US00D907665S

(12) **United States Design Patent** (10) **Patent No.:** **US D907,665 S**  
**Wei** (45) **Date of Patent:** **\*\* Jan. 12, 2021**

(54) **INTAKE MANIFOLD**  
(71) Applicant: **DeepMotor, Inc.**, Rancho Cucamonga, CA (US)  
(72) Inventor: **Yong Wei**, Rancho Cucamonga, CA (US)  
(73) Assignee: **DEEPMOTOR, INC.**, Rancho Cucamong, CA (US)

D654,094 S 2/2012 Dralle  
8,122,864 B2 2/2012 Randall et al.  
8,220,430 B2 7/2012 Gupta  
D673,979 S 1/2013 Finnican  
D677,699 S 3/2013 Finnican  
D680,132 S 4/2013 Finnican  
D737,862 S 9/2015 Finnican  
9,273,653 B2 3/2016 Wilson  
(Continued)

(\*\*) Term: **15 Years**

(21) Appl. No.: **29/691,757**

(22) Filed: **May 19, 2019**

(51) **LOC (13) Cl.** ..... **15-01**

(52) **U.S. Cl.**  
USPC ..... **D15/5**

(58) **Field of Classification Search**  
USPC ..... D15/1-5

CPC ..... F02M 35/10091; F02M 35/10222; F02M 35/10295; F02M 35/10321; F02M 35/10262; F02M 35/104; F02M 35/10354; F02M 35/116; F02M 35/10052; F02M 35/10078; F02M 35/112; F02M 35/10085; F02M 31/00; F02M 31/04; F02M 31/042; F02M 31/045; F02M 31/047; F02M 31/093; F02M 35/10144; F02M 35/10039; F02M 35/10347; F02M 35/10334  
See application file for complete search history.

(56) **References Cited**

**U.S. PATENT DOCUMENTS**

4,957,071 A \* 9/1990 Matsuo ..... F02M 35/116 123/184.36  
D364,628 S 11/1995 Haller  
5,494,011 A 2/1996 Haller  
6,581,561 B1 \* 6/2003 Brodesser ..... F02M 35/10085 123/184.34  
D638,033 S \* 5/2011 Ballard ..... D15/5

**FOREIGN PATENT DOCUMENTS**

CN 303479863 12/2015  
CN 303727690 6/2016

*Primary Examiner* — Ania Aman

(74) *Attorney, Agent, or Firm* — Loza & Loza, LLP; Heidi L. Eisenhut

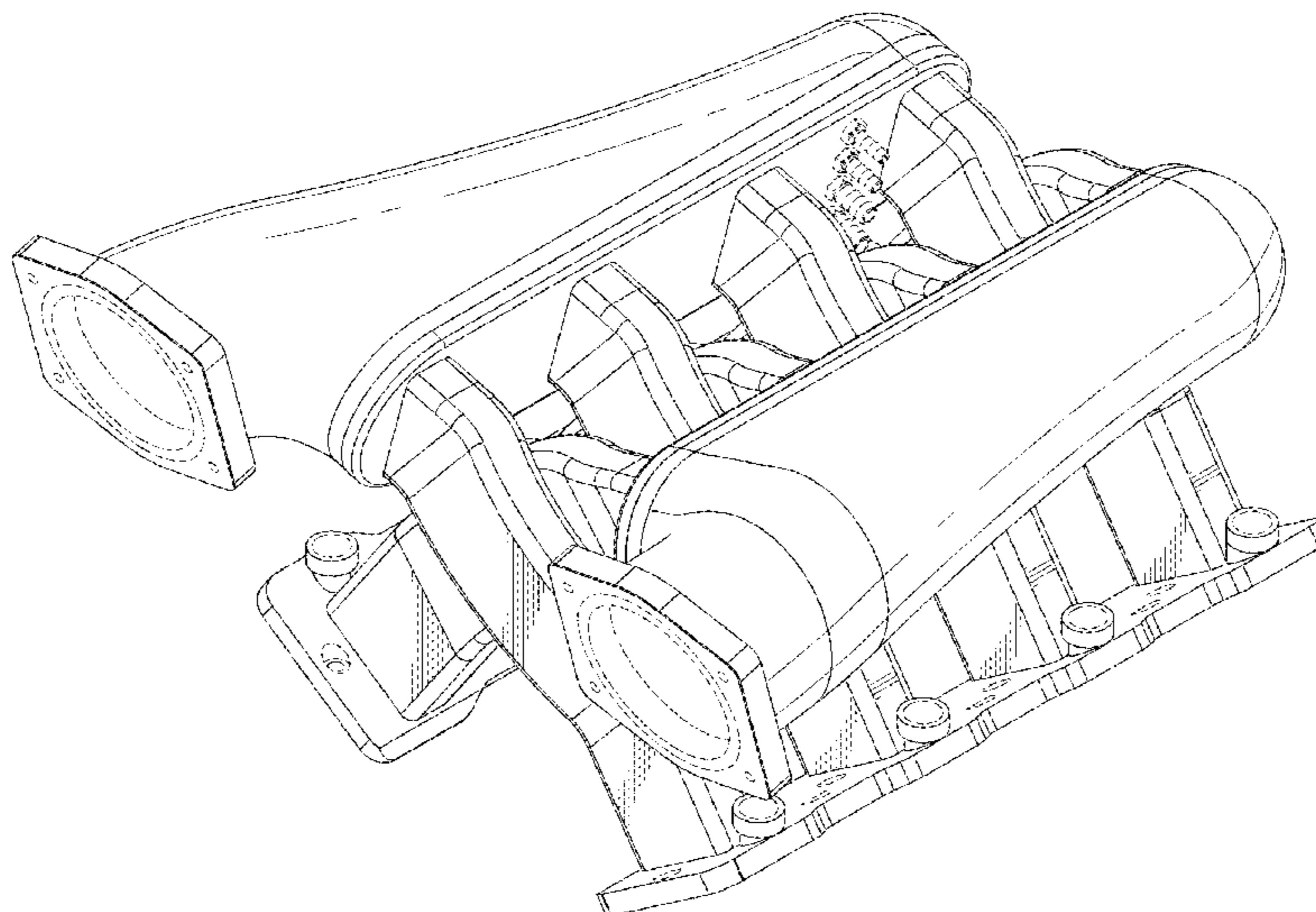
(57) **CLAIM**

The ornamental design for an intake manifold, as shown and described.

**DESCRIPTION**

FIG. 1 is a front, right, top perspective view of an intake manifold;  
FIG. 2 is a rear, left, bottom perspective view of the intake manifold of FIG. 1;  
FIG. 3 is a right side elevation view of the intake manifold of FIG. 1;  
FIG. 4 is a left side elevation view of the intake manifold of FIG. 1;  
FIG. 5 is a front elevation view of the intake manifold of FIG. 1;  
FIG. 6 is a rear elevation view of the intake manifold of FIG. 1;  
FIG. 7 is a top plan view of the intake manifold of FIG. 1; and,  
FIG. 8 is a bottom plan view of the intake manifold of FIG. 1.  
The broken lines show features of the intake manifold that form no part of the claimed design.

**1 Claim, 8 Drawing Sheets**



(56)

**References Cited**

U.S. PATENT DOCUMENTS

9,617,957	B2	4/2017	Shinkai et al.	
D802,628	S	11/2017	Fischetto	
D814,523	S	4/2018	Vaninetti et al.	
2009/0101100	A1*	4/2009	Ichikawa .....	F02M 35/116 123/184.53
2009/0272589	A1*	11/2009	Ballard .....	F02M 35/161 180/68.3
2017/0067421	A1*	3/2017	Hamzeh .....	F02M 35/104

\* cited by examiner

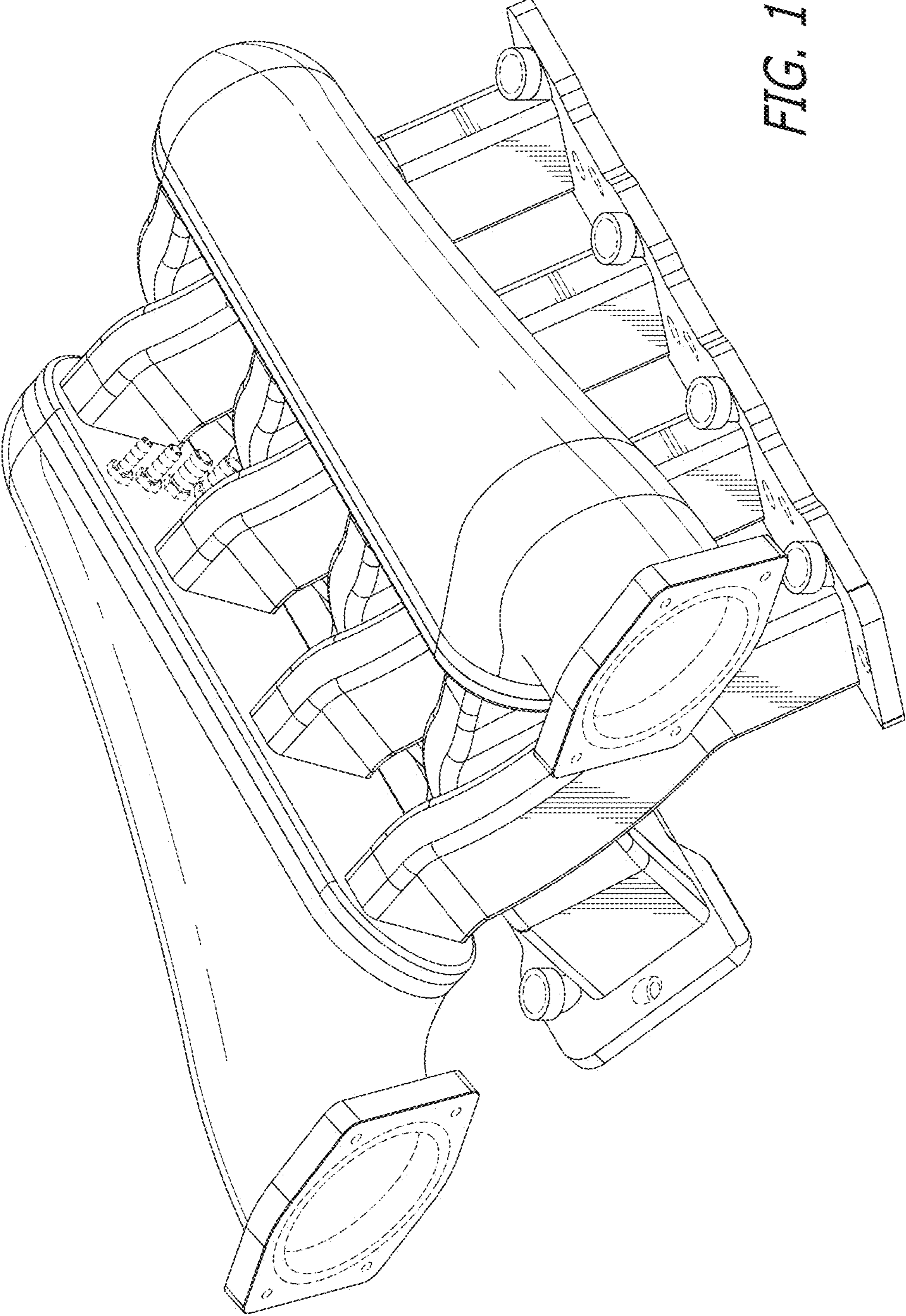


FIG. 1



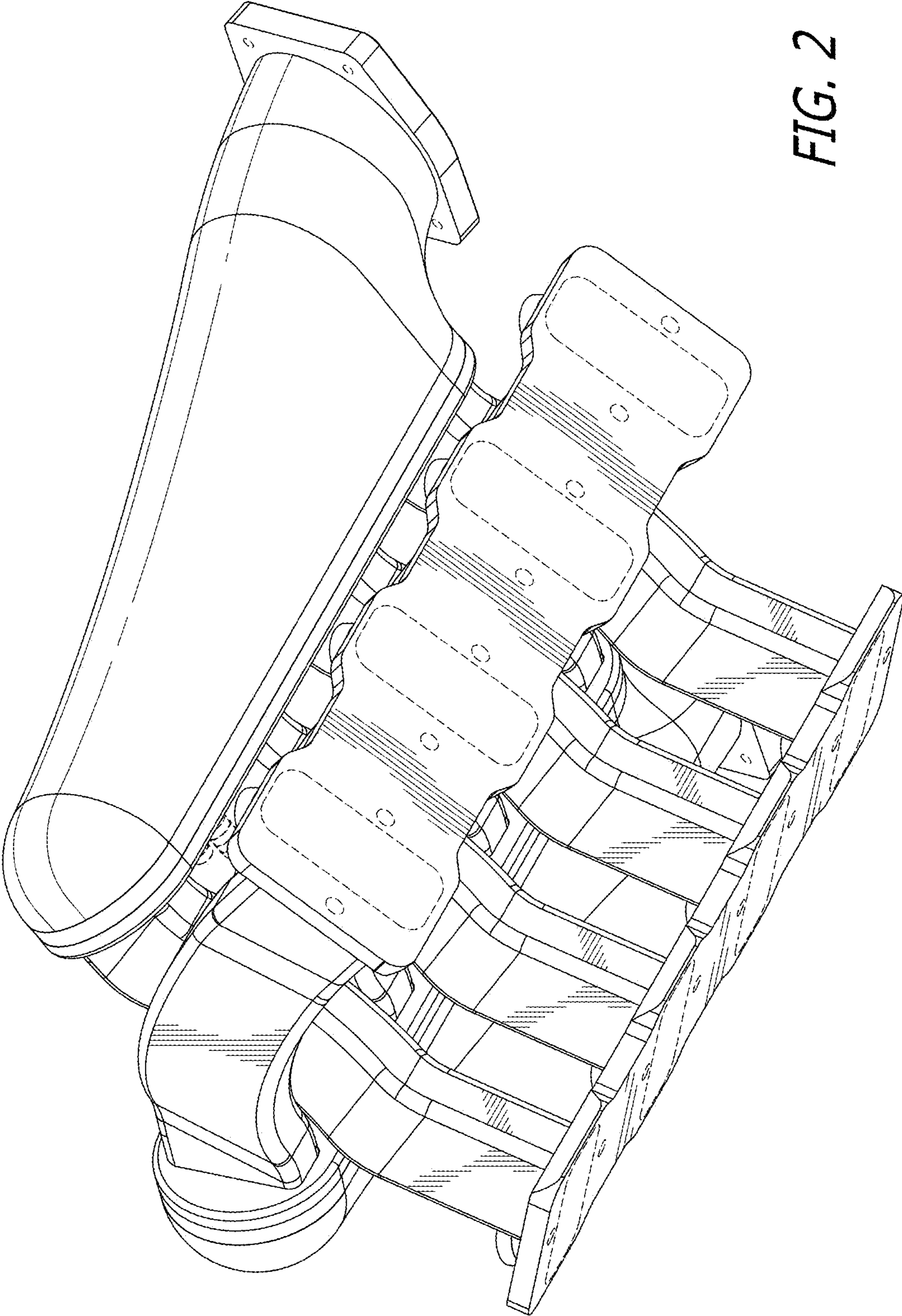


FIG. 2

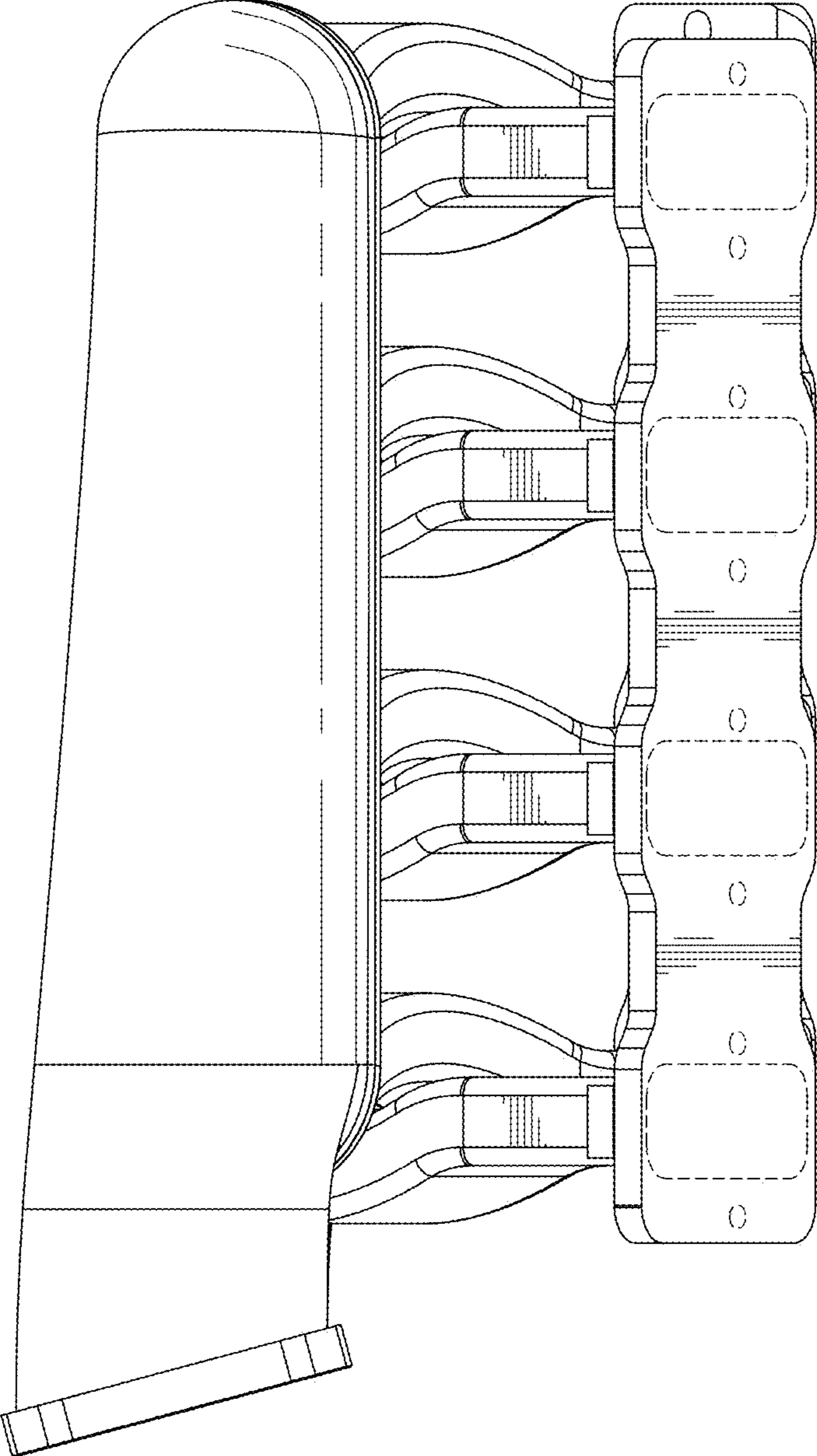


FIG. 3

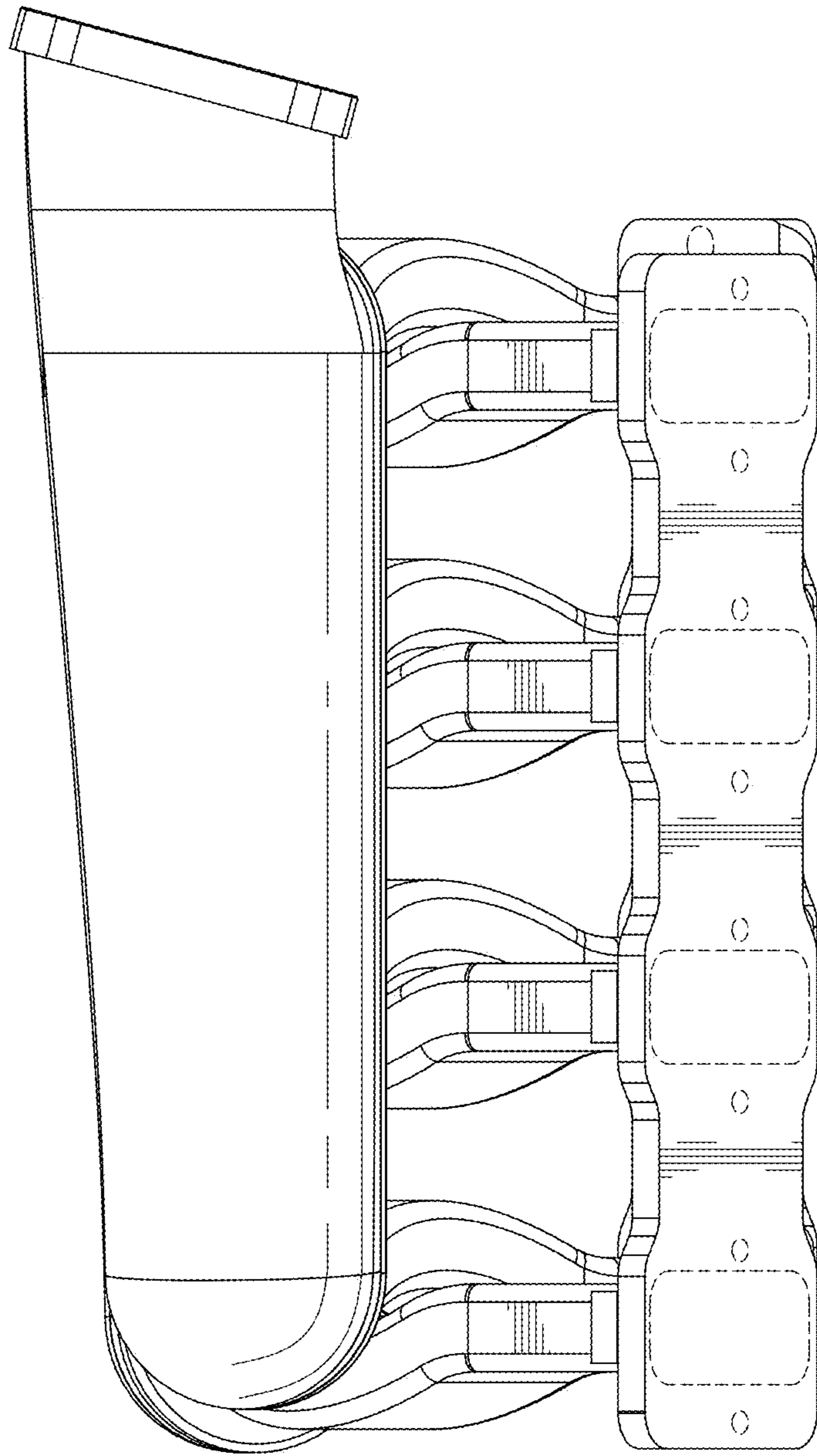


FIG. 4

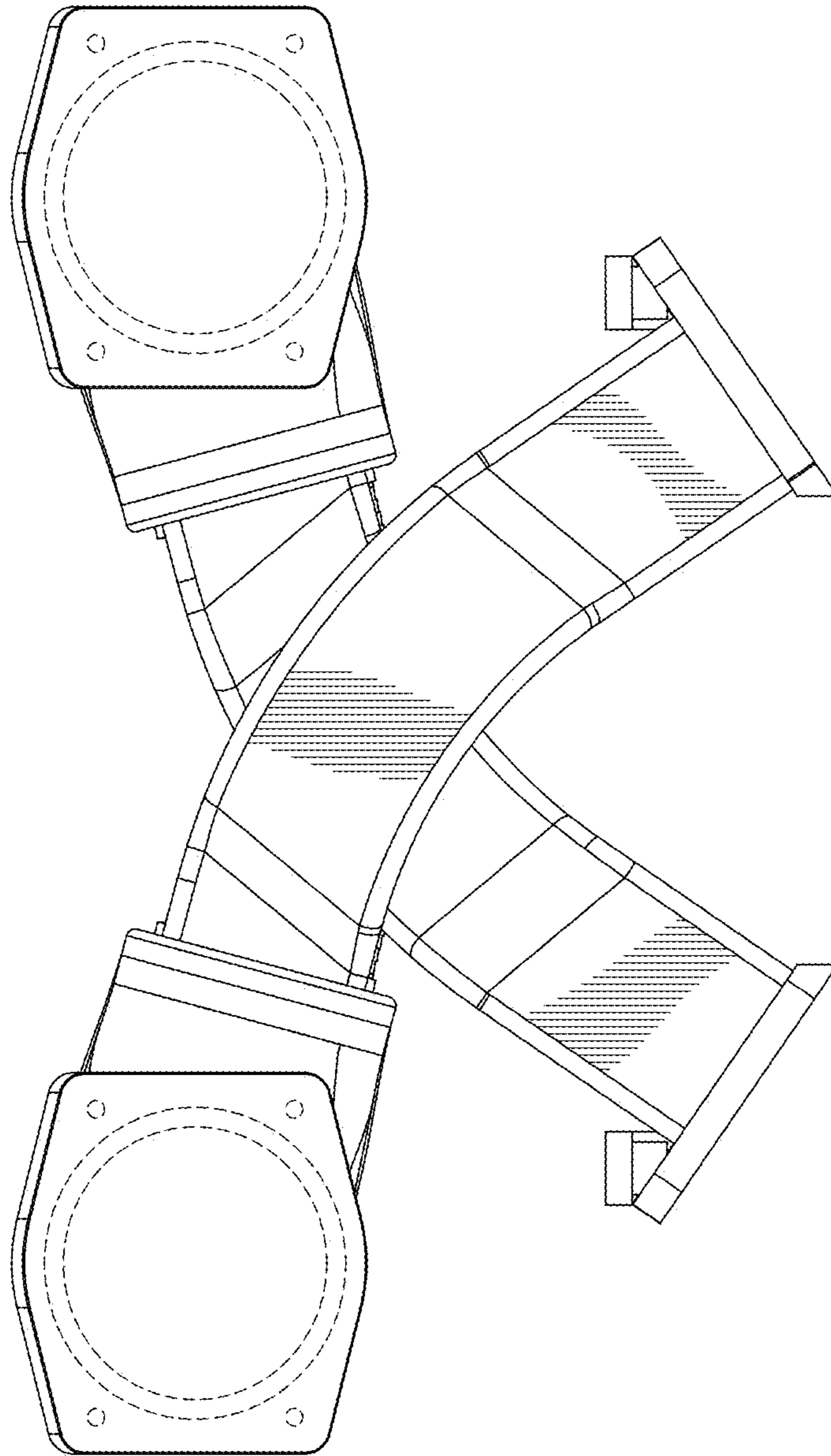


FIG. 5

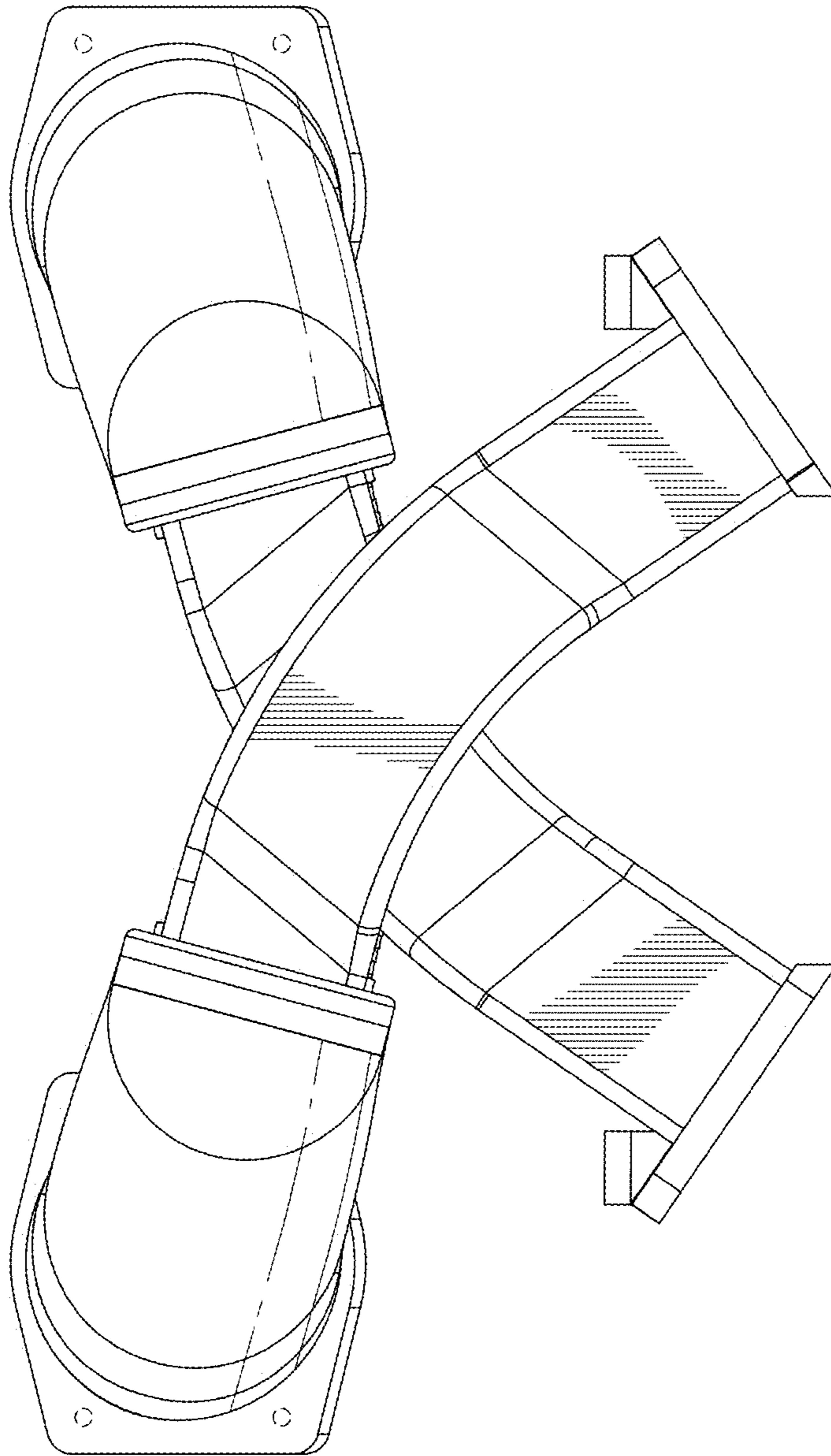


FIG. 6



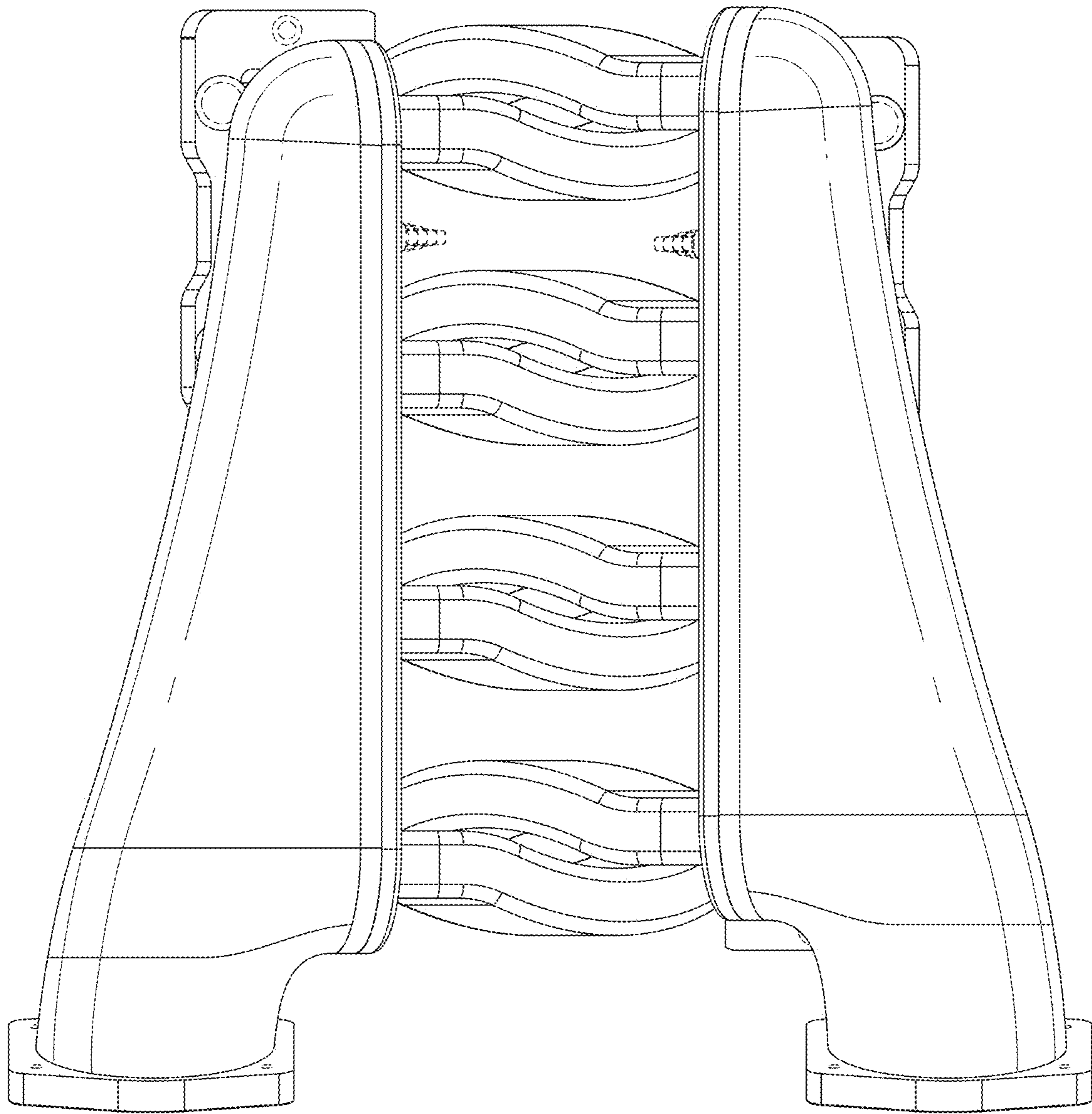


FIG. 7

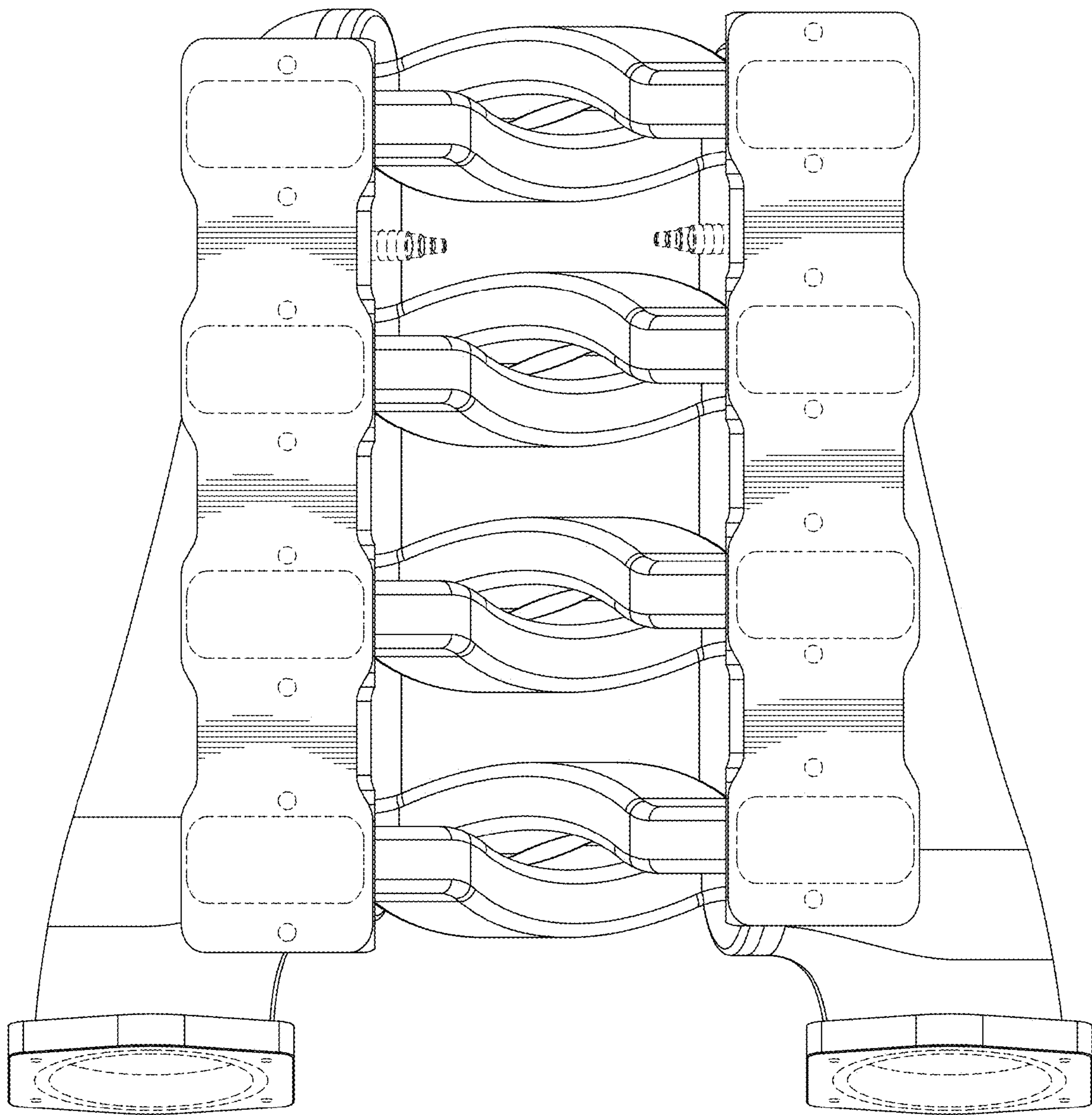


FIG. 8