

US00D907660S

(12) **United States Design Patent**
Lee et al.

(10) **Patent No.:** **US D907,660 S**
(45) **Date of Patent:** **** Jan. 12, 2021**

(54) **DISPLAY SCREEN OR PORTION THEREOF WITH GRAPHICAL USER INTERFACE**

(71) Applicant: **Goldtek Technology Co., Ltd.**, New Taipei (TW)

(72) Inventors: **Yen-Ching Lee**, New Taipei (TW);
Darwin Kurniawan Oh, New Taipei (TW)

(73) Assignee: **Goldtek Technology Co., Ltd.**, New Taipei (TW)

(**) Term: **15 Years**

(21) Appl. No.: **29/668,356**

(22) Filed: **Oct. 30, 2018**

(30) **Foreign Application Priority Data**

Sep. 27, 2018 (TW) 107305784

(51) **LOC (13) Cl.** **14-04**

(52) **U.S. Cl.**
USPC **D14/488**

(58) **Field of Classification Search**
USPC D14/485–495
CPC G06Q 10/063114; H04N 1/00477; G11B 27/34; G06F 3/0484; G05B 19/418
See application file for complete search history.

(56) **References Cited**

U.S. PATENT DOCUMENTS

- D476,995 S * 7/2003 Kreikemeier D14/486
- D479,846 S * 9/2003 Kreikemeier D14/486
- D554,659 S * 11/2007 Hoover D14/487
- D614,192 S * 4/2010 Takano D14/486
- D667,018 S * 9/2012 Clanton D14/485
- D672,784 S * 12/2012 Clanton G06F 3/04817
D14/485
- D716,325 S * 10/2014 Brudnicki D14/486
- D736,780 S * 8/2015 Wang D14/485

- D763,265 S * 8/2016 Trujillo G06F 3/04817
D14/485
- D768,646 S * 10/2016 Master D14/485
- 9,557,881 B1 * 1/2017 Jain G06F 3/0481
- D787,552 S * 5/2017 Napper D14/489
- D789,404 S * 6/2017 Modestine D14/487

(Continued)

OTHER PUBLICATIONS

Grouchnikov, Kirill. "The usability of radial menus." Pushing Pixels, published Jul. 25, 2012 (Retrieved from the Internet Sep. 1, 2020). Internet URL: <<https://www.pushing-pixels.org/2012/07/25/the-usability-of-radial-menus.html>> (Year: 2012).*

(Continued)

Primary Examiner — Rachel A. Voorhies

(74) *Attorney, Agent, or Firm* — ScienBiziP, P.C.

(57) **CLAIM**

The ornamental design for a display screen or portion thereof with graphical user interface, as shown and described.

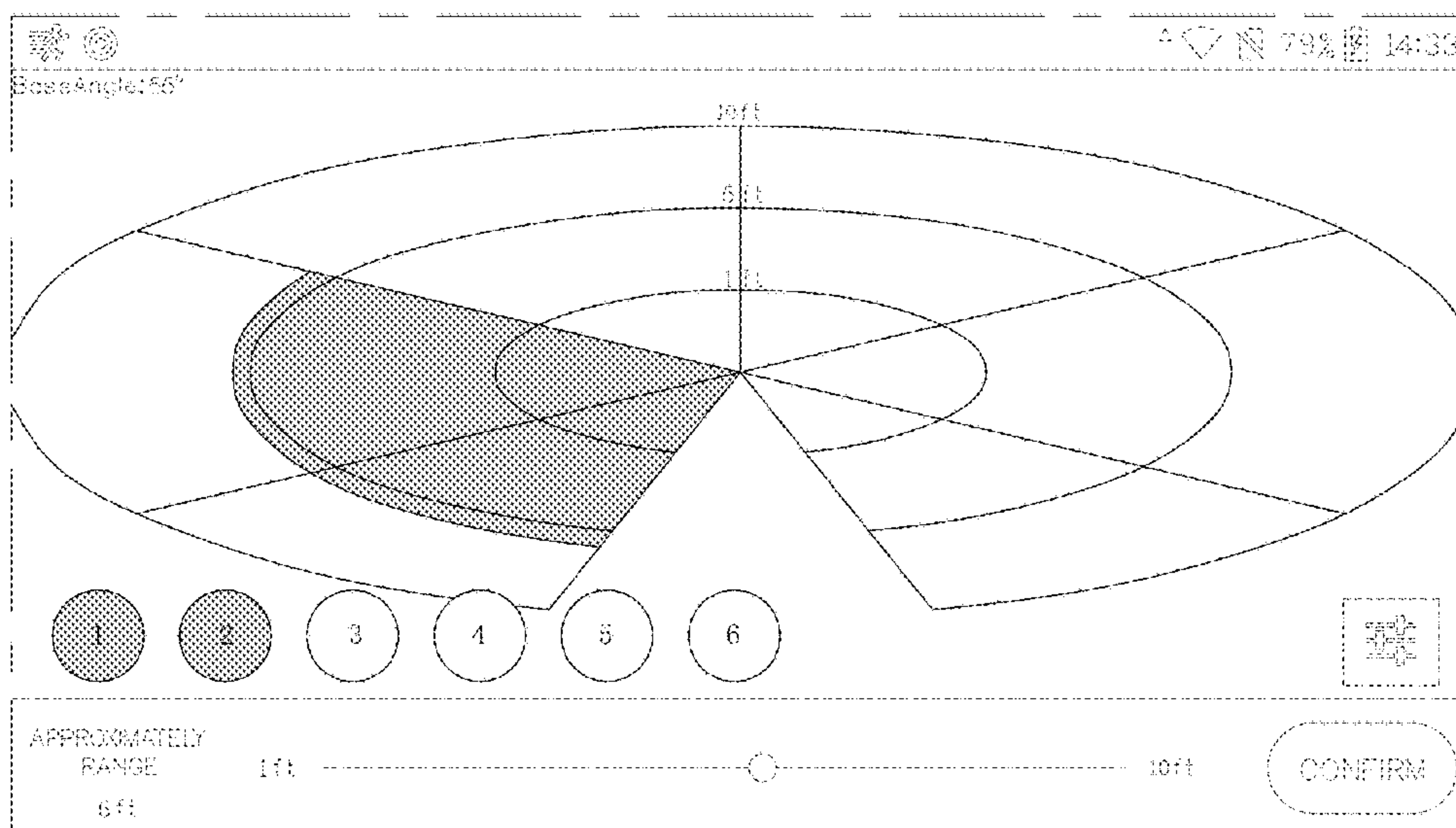
DESCRIPTION

FIG. 1 is a front view of a first embodiment of a display screen or portion thereof with graphical user interface showing my design;

FIG. 2 is a front view of a second embodiment thereof; FIG. 3 is a front view of a third embodiment thereof; FIG. 4 is a front view of a fourth embodiment thereof; FIG. 5 is a front view of a fifth embodiment thereof; and, FIG. 6 is a front view of a sixth embodiment thereof.

The portions of the graphical user interface that are shaded depict a contrasting appearance. The outermost long and short dashed line in the figures shows a display screen or portion thereof and forms no part of the claimed design. The other broken lines show portions of the graphical user interface that form no part of the claimed design.

1 Claim, 6 Drawing Sheets



(56)

References Cited

U.S. PATENT DOCUMENTS

D791,165 S * 7/2017 Modestine D14/487
 D795,898 S * 8/2017 Li D14/486
 D803,247 S * 11/2017 Mistry D14/486
 D806,739 S * 1/2018 Blackman D14/487
 D807,384 S * 1/2018 Quattrocchi D14/486
 D813,884 S * 3/2018 Penker D14/485
 D819,066 S * 5/2018 Anderson D14/486
 D832,298 S * 10/2018 Joensson D14/486
 D838,729 S * 1/2019 Guerrieri D14/485
 D854,551 S * 7/2019 Pistiner G06Q 10/063114
 D871,435 S * 12/2019 Tseng G06F 9/451
 D874,502 S * 2/2020 Krishnamurthy D14/486
 D877,747 S * 3/2020 Belliveau D14/485
 D878,397 S * 3/2020 Gratzki D14/485
 D879,123 S * 3/2020 Rydgren D14/486
 D881,904 S * 4/2020 Angeles D14/485
 10,624,690 B2 * 4/2020 Shikhman G06F 3/048
 D884,005 S * 5/2020 Milnark G06F 3/048
 D884,022 S * 5/2020 Klein D14/488
 D887,431 S * 6/2020 Tellier G06F 3/0481
 D888,722 S * 6/2020 Calzada G06Q 30/0641
 D891,448 S * 7/2020 Graham G06T 15/10
 D14/486

10,747,212 B2 * 8/2020 Oka G05B 19/41875
 10,755,373 B2 * 8/2020 Smirin G06Q 30/0641
 D894,910 S * 9/2020 Pazmino D14/485
 D894,917 S * 9/2020 Milnark D14/486
 2009/0193366 A1 * 7/2009 Davidson G06F 3/0482
 715/863
 2009/0244072 A1 * 10/2009 Pugach G06T 15/10
 345/475
 2013/0104071 A1 * 4/2013 Boutoussov G06F 3/0481
 715/781
 2015/0058769 A1 * 2/2015 Kim G06F 9/451
 715/765
 2015/0142491 A1 * 5/2015 Webb G06Q 10/063114
 705/7.15
 2015/0355827 A1 * 12/2015 Van Der Westhuizen
 G06F 3/04842
 715/788
 2017/0053371 A1 * 2/2017 Smirin G06Q 10/02
 2017/0278341 A1 * 9/2017 Moore G07F 17/3211
 2018/0067631 A1 * 3/2018 Thiercelin G06F 9/4494
 2018/0368927 A1 * 12/2018 Lyons A61B 34/25

OTHER PUBLICATIONS

Reynish, William. "Tools, Toolbars and Tool Widgets." Blender Developers Blog, published Apr. 28, 2018 (Retrieved from the Internet Sep. 1, 2020). Internet URL: <<https://code.blender.org/2018/04/tools-toolbar-and-tool-widgets/>> (Year: 2018).*

* cited by examiner

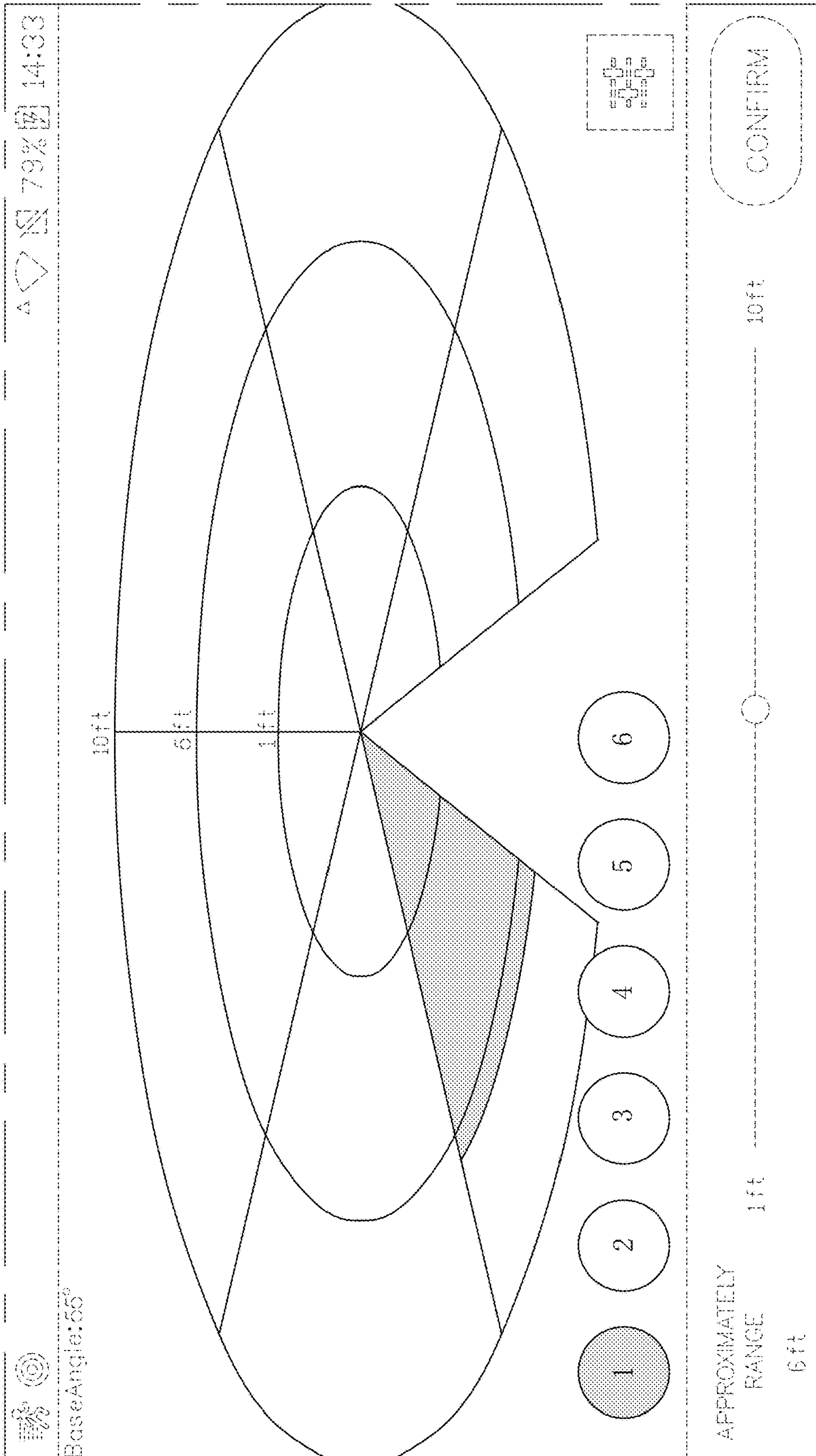


FIG. 1

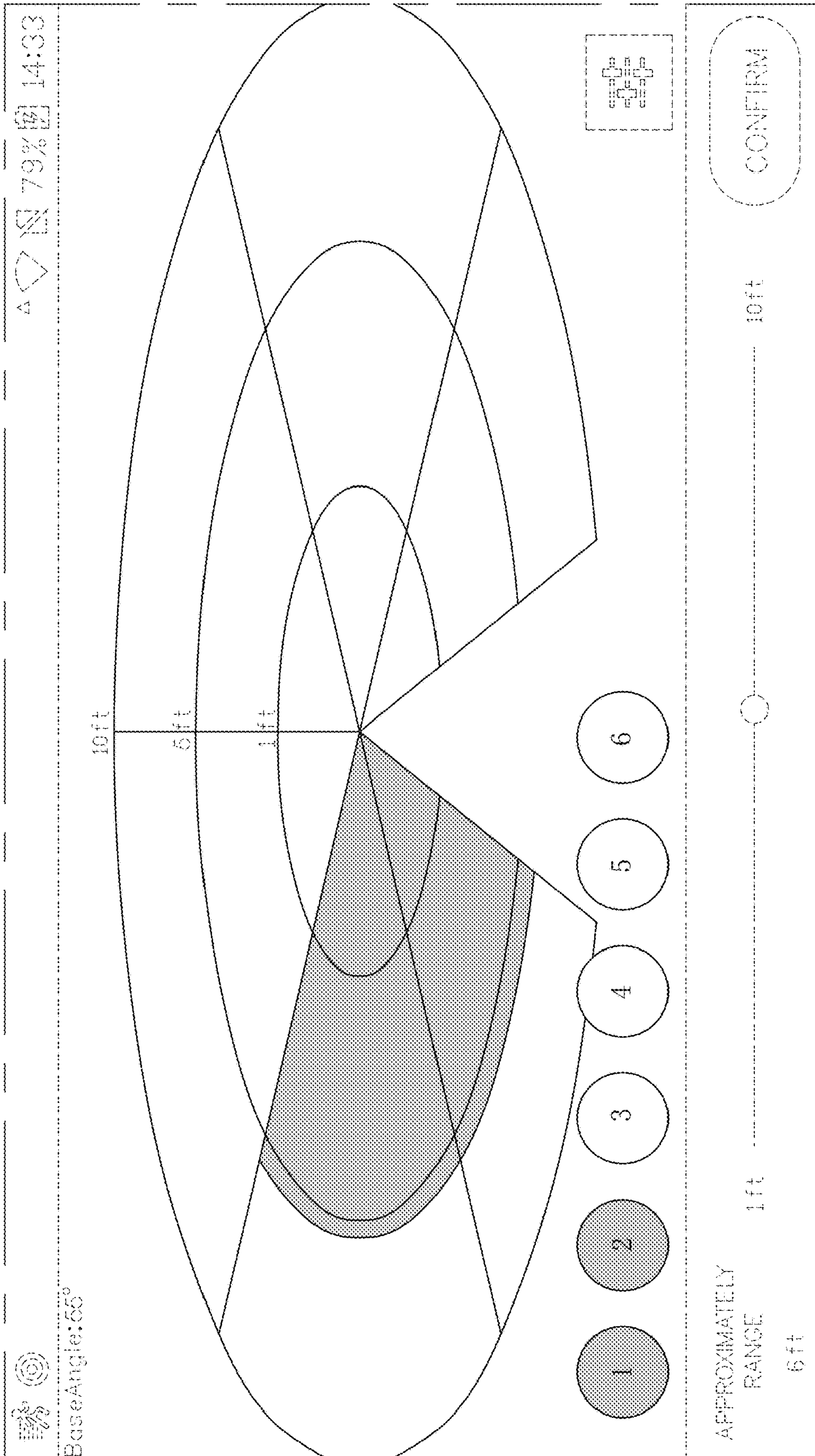


FIG. 2

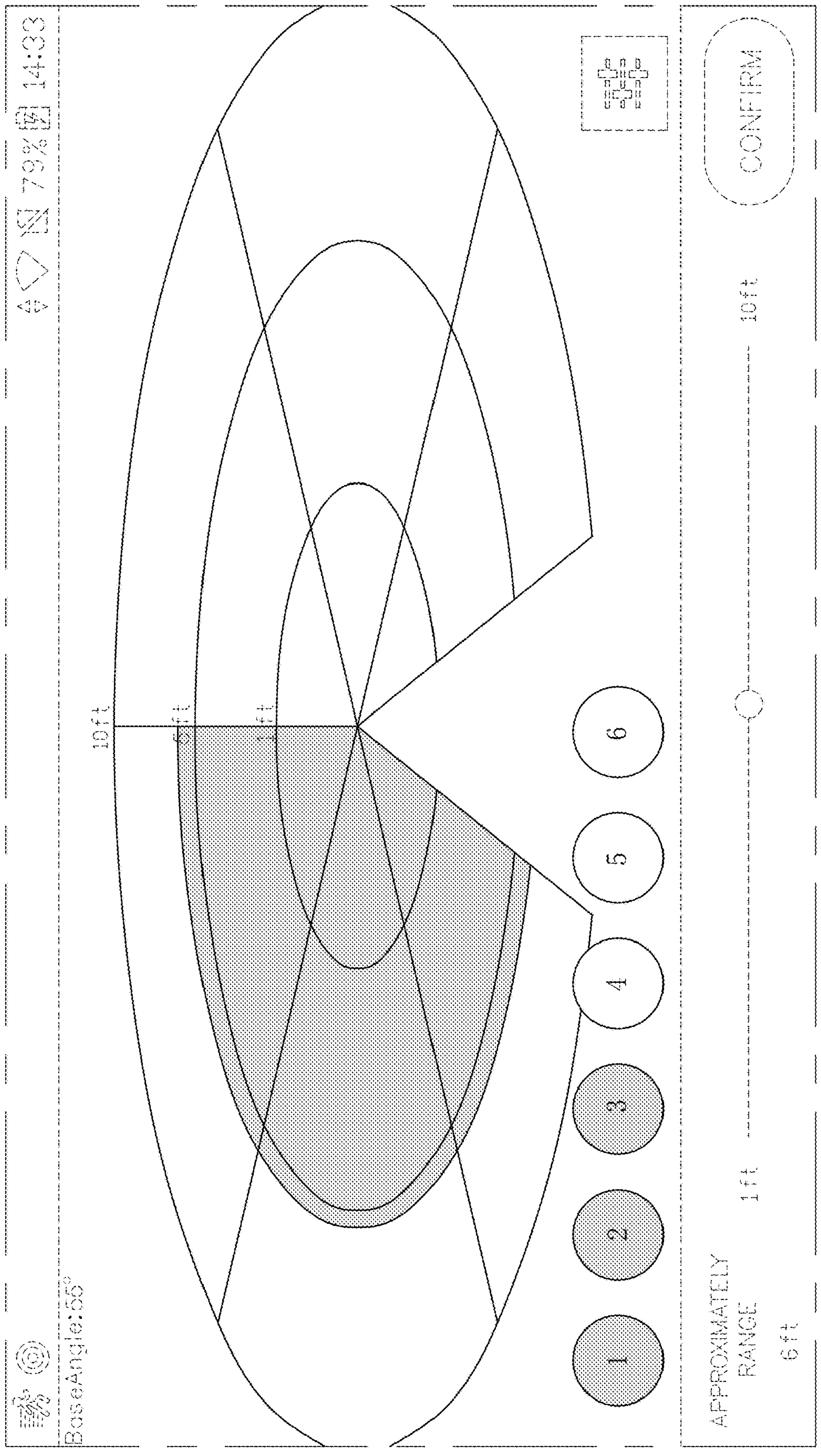


FIG. 3

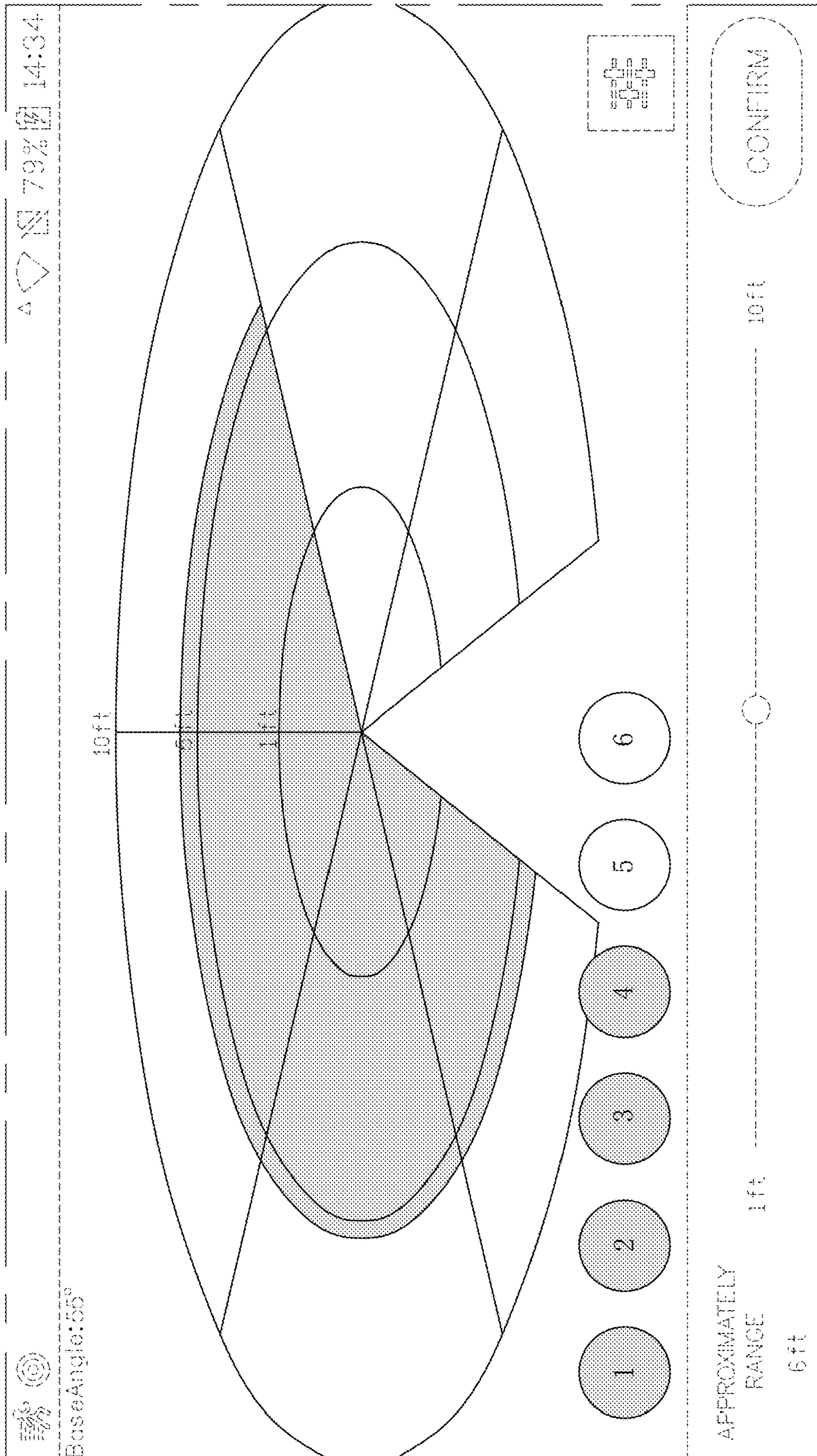


FIG. 4

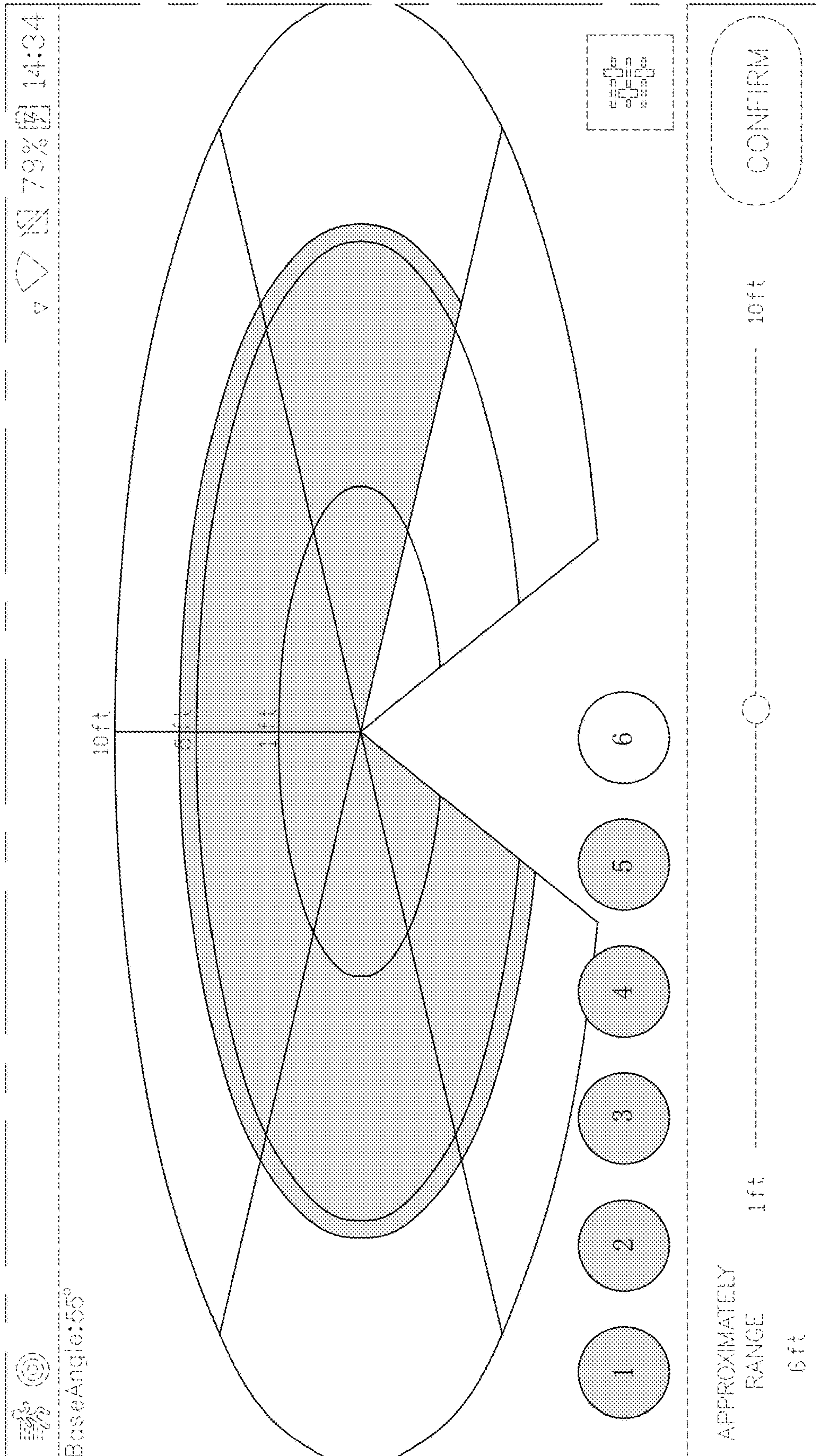


FIG. 5

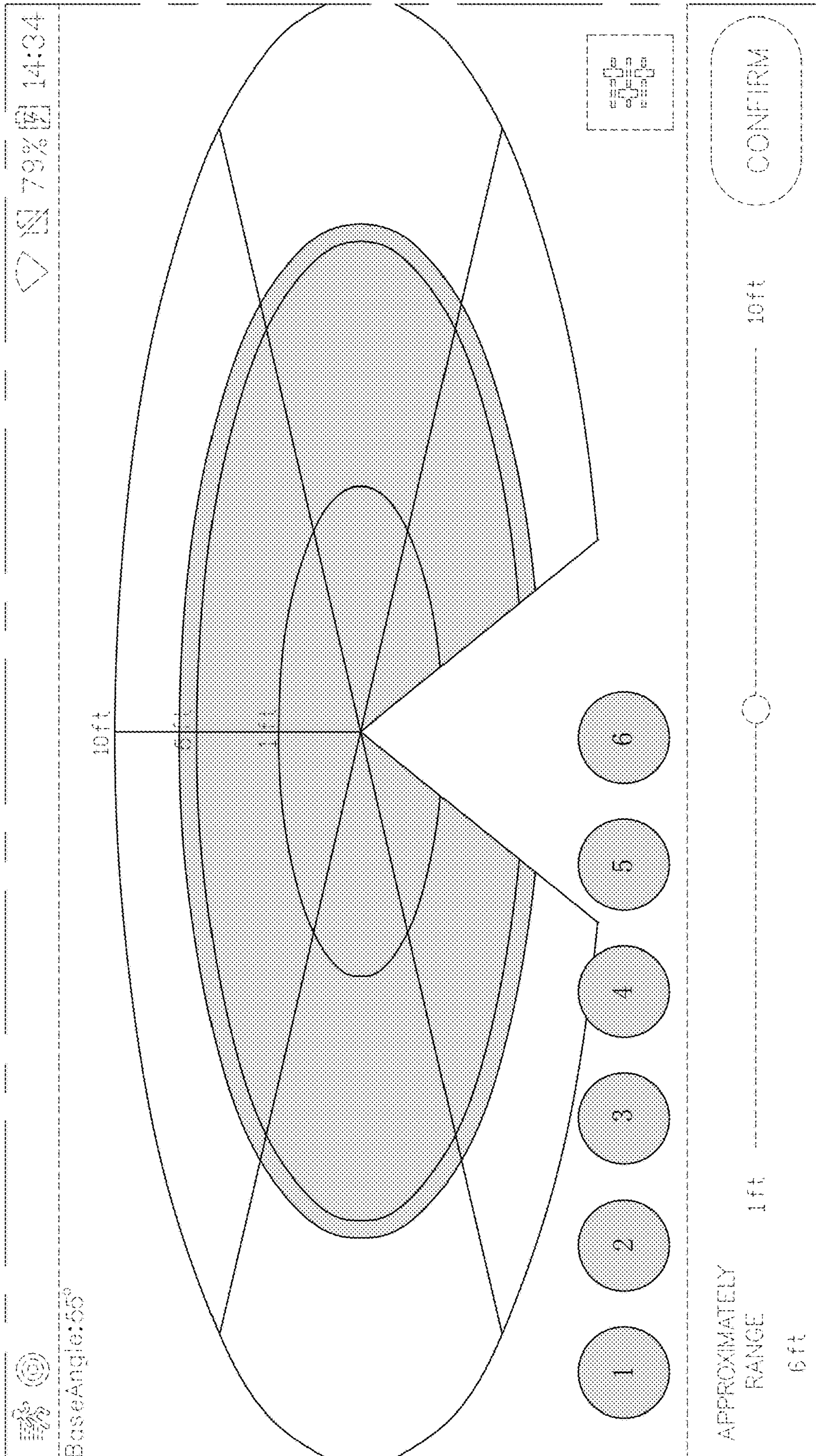


FIG. 6