



US00D907656S

(12) **United States Design Patent**
Di Bella et al.

(10) **Patent No.:** **US D907,656 S**
(45) **Date of Patent:** **** Jan. 12, 2021**

(54) **DISPLAY SCREEN OR PORTION THEREOF WITH GRAPHICAL USER INTERFACE**

(71) Applicant: **Antonio Di Bella**, Aci Castello (IT)

(72) Inventors: **Antonio Di Bella**, Aci Castello (IT);
Giuseppe Santoro, Lecce (IT);
Giovanni Visconti, Lecce (IT)

(73) Assignee: **Antonio Di Bella**, Aci Castello (IT)

(**) Term: **15 Years**

(21) Appl. No.: **29/683,712**

(22) Filed: **Mar. 15, 2019**

(51) **LOC (13) Cl.** **14-04**

(52) **U.S. Cl.**

USPC **D14/486**; D14/488

(58) **Field of Classification Search**

USPC D14/485-495; D21/379; 273/292, 293,
273/308; 283/903; 715/838, 845, 848;
463/11, 13

CPC A63F 2001/008; A63F 2001/005; A63F
2001/003; A63F 2001/027; A63F 1/00;
A63F 1/02; A63F 1/04; A63F 9/24; A63F
3/00157; G07F 17/3293; G07F 17/3211;
G06F 2203/04802; G06F 3/04817; G06F
3/04842; G06F 3/04845; G06F 3/0482;
G06F 3/0485; G06F 3/04886; G06F
16/54; H04N 21/23617; H04N 21/2387;
H04N 21/26266; H04N 21/4314; Y10S
283/903

See application file for complete search history.

(56) **References Cited**

U.S. PATENT DOCUMENTS

D269,447 S * 6/1983 Raheb 273/303
6,196,920 B1 * 3/2001 Spaur G06Q 30/02
463/40

6,358,144 B1 * 3/2002 Kadlic A63F 1/00
273/274
6,612,926 B1 * 9/2003 Dabrowski A63F 1/00
273/292
D609,243 S * 2/2010 Song D14/486
9,189,914 B2 * 11/2015 Dinkla G07F 17/32
9,345,960 B2 * 5/2016 Lark A63F 13/005
9,846,521 B1 * 12/2017 Buchheit G06F 3/04842
D847,205 S * 4/2019 Son D14/492
D847,206 S * 4/2019 Son D14/492

(Continued)

FOREIGN PATENT DOCUMENTS

CN 304200885 * 7/2017
RU 00116014 * 8/2019

OTHER PUBLICATIONS

“Screen Shot Card Games” Dec. 31, 2006, Shockomedia, site visited Aug. 5, 2020: http://www.shockomedia.com/2006/website/screen_shot_card_games.htm (Year: 2006).*

(Continued)

Primary Examiner — Jack Reickel

Assistant Examiner — Christopher M Spivey

(74) *Attorney, Agent, or Firm* — Volpe Koenig

(57)

CLAIM

The ornamental design for a display screen or portion thereof with graphical user interface, as shown and described.

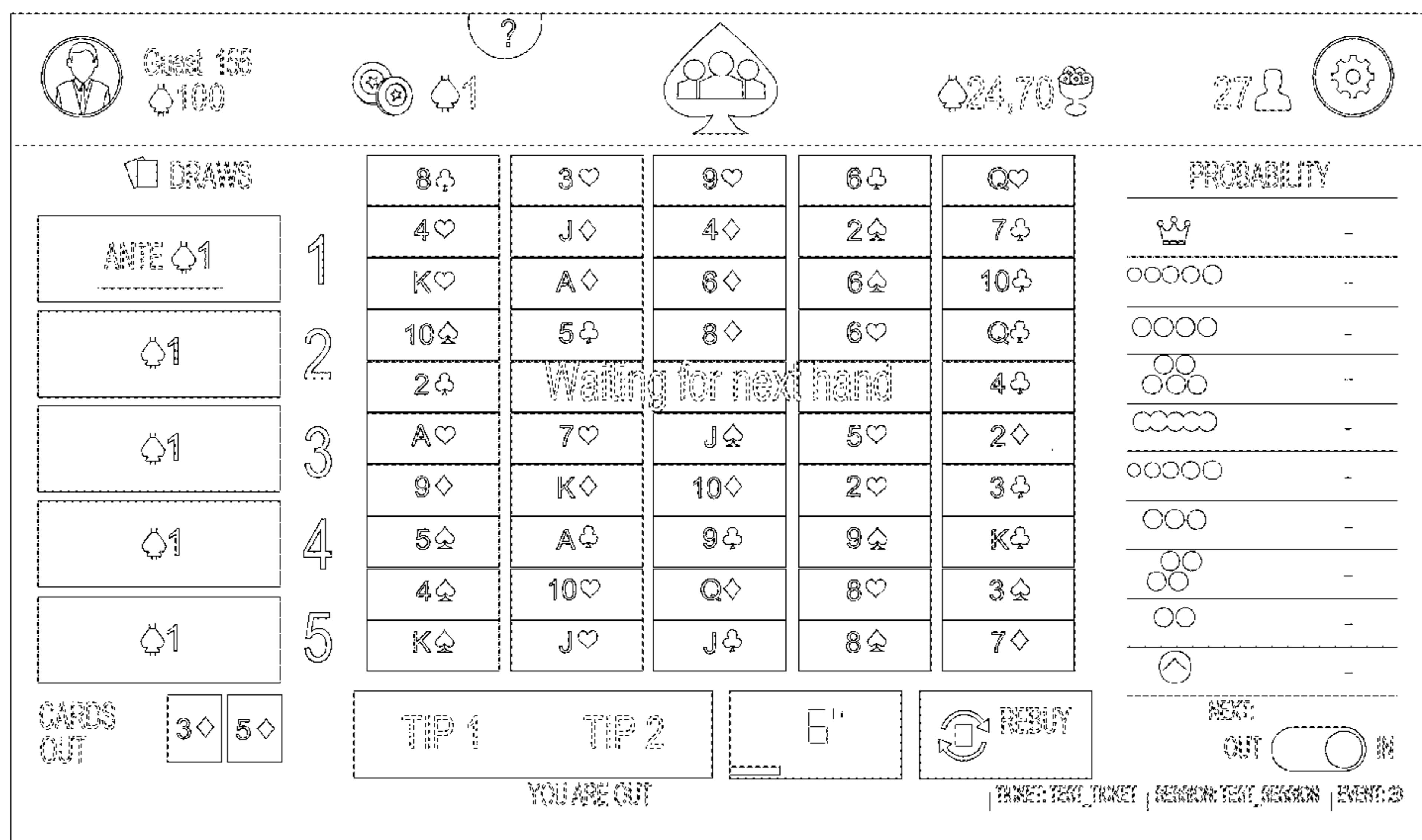
DESCRIPTION

FIG. 1 is a front view of the first embodiment of a display screen or portion thereof with graphical user interface showing my new design;

FIG. 2 is a front view of a second embodiment thereof; and, FIG. 3 is a front view of a third embodiment thereof.

The broken lines in the figures show portions of the graphical user interface that form no part of the claimed design.

1 Claim, 3 Drawing Sheets



(56)

References Cited

U.S. PATENT DOCUMENTS

2003/0193141 A1* 10/2003 Loewenstein G07F 17/3293
273/292
2006/0183526 A1* 8/2006 Verardi G07F 17/32
463/13
2006/0194628 A1* 8/2006 Novellie G07F 17/32
463/13
2013/0267288 A1* 10/2013 Di Bella A63F 13/80
463/11
2014/0274341 A1* 9/2014 Janosov G07F 17/3293
463/25
2014/0357336 A1* 12/2014 Williams G07F 17/3293
463/13
2015/0221185 A1* 8/2015 Dunaevsky G07F 17/3293
463/13
2018/0178122 A1* 6/2018 Kim A63F 13/332

OTHER PUBLICATIONS

“Bet on Poker” Dec. 6, 2018, Apkpure, site visited Aug. 5, 2020:
<https://apkpure.com/bet-on-poker/com.inbet.poker3x> (Year: 2018).*

“Five-O Poker Review” Jan. 23, 2012, Gamezebo, site visited Aug.
5, 2020: <https://www.gamezebo.com/2012/01/23/five-o-poker-review/>
(Year: 2012).*

* cited by examiner

FIG. 1

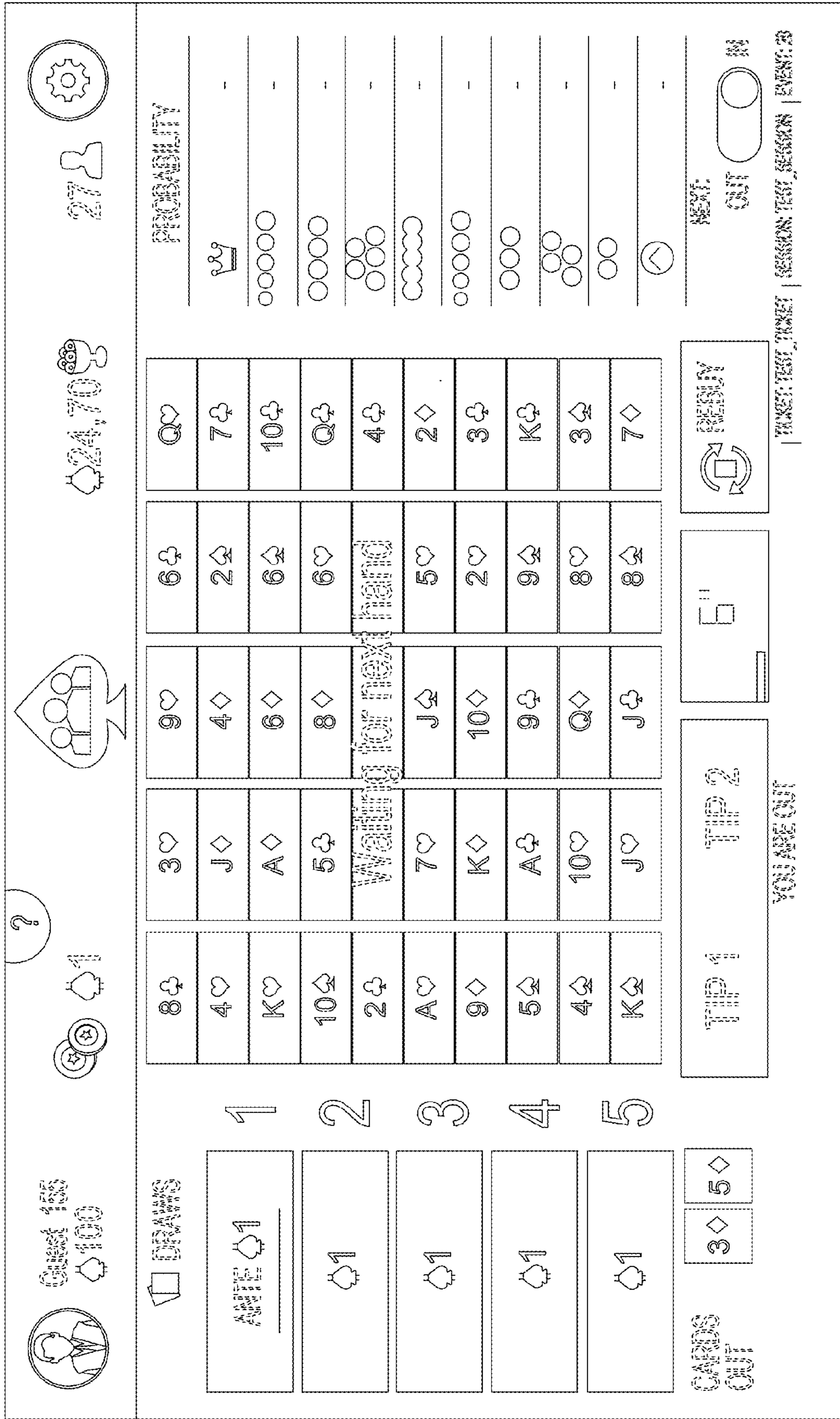
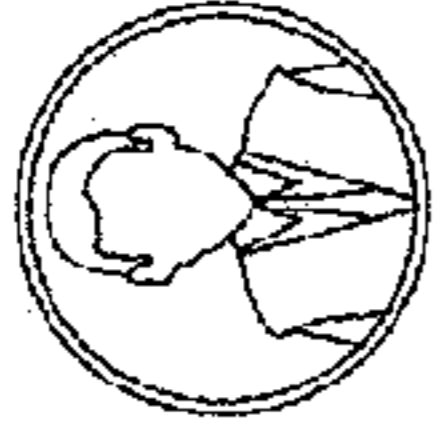

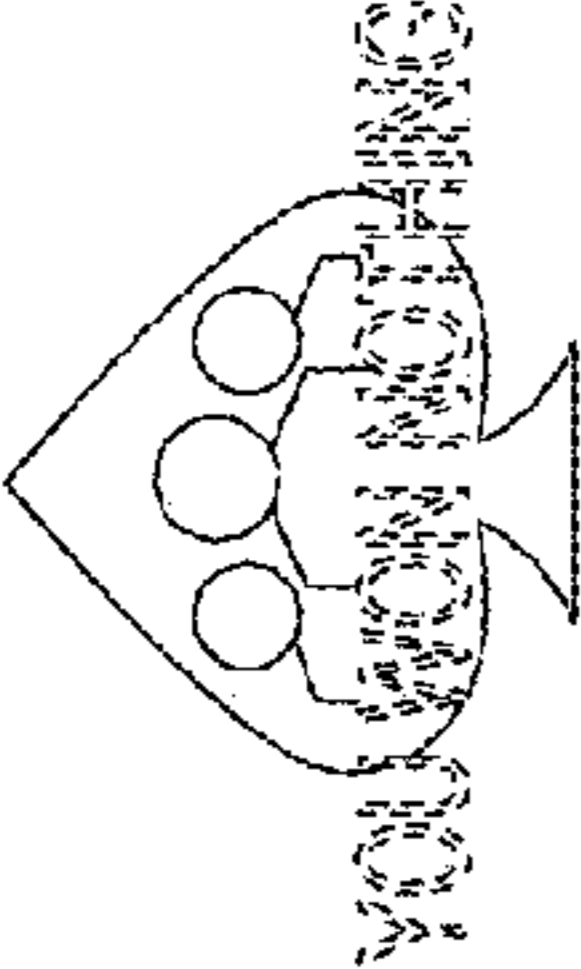


FIG. 2

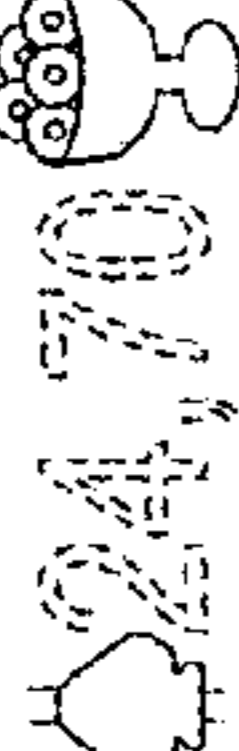


Guest 155
108.57

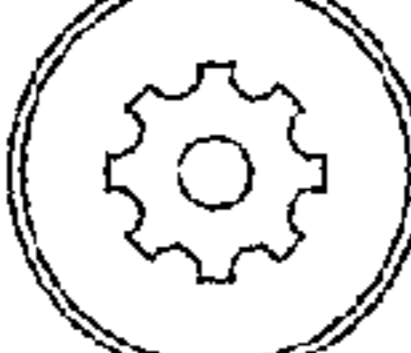




YOU'VE GOT NOTHING



24,70



261

	1	2	3	4	5	PROBABILITY
DRAW	4♠	2♥	8♣	5♠	6♣	♠
DRAW	10♦	10♣	5♣	J♠	10♥	-
DRAW	4♠	J♥	A♦	4♥	J♣	-
DRAW	2♦	9♦	5♥	9♣	3♣	-
DRAW	A♥	8♠	9♠	2♠	Q♠	-
DRAW	Q♥	3♥	8♥	K♥	3♦	-
DRAW	7♠	8♥	A♠	7♦	6♥	-
DRAW	5♦	J♦	8♦	K♣	4♣	-
DRAW	J♦	8♦	8♦	2♣	Q♦	-

CARDS OUT

6♦

6♠

TIP 1

TIP 2

5"

REBUY

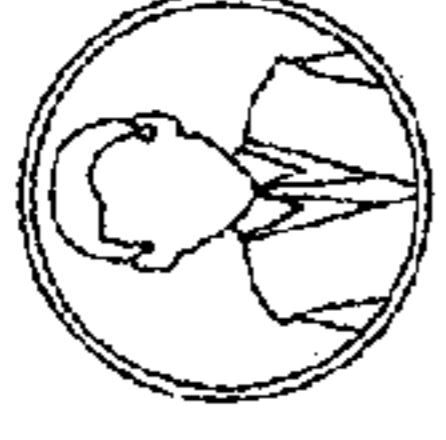
0,50

0,50


TICKET TEST TRNKT | SESSION TEST_SESSION | EVENT: 88

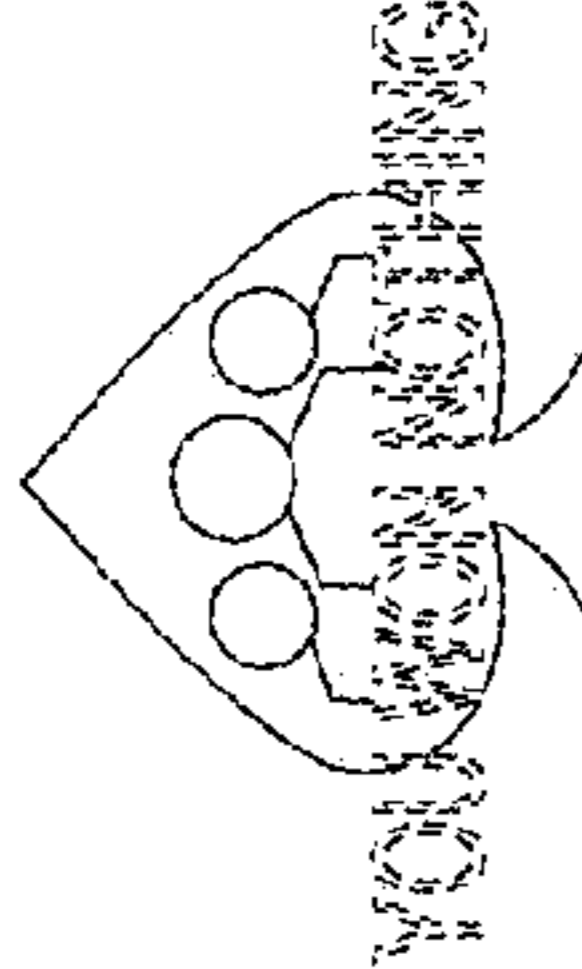
YOU ARE IN

FIG. 3




Quest 155
108.57

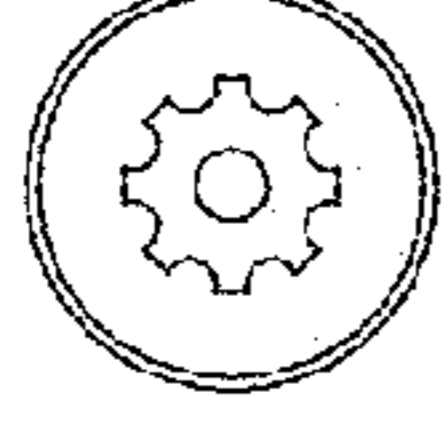




YOU ARE WINNING





24.70





26


DRAWS











4♠	10♦	4♦	2♦	Q♣
2♥	10♣	J♥	9♦	A♣
8♣	5♣	A♦	5♥	7♣
5♠	J♠	4♥	9♣	10♠
6♣	10♥	J♣	3♣	K♥
<p>1 2 3 4 5</p> <p>A♥ 8♠ 9♠ 2♠ Q♠</p> <p>HOLD HOLD HOLD HOLD HOLD</p>				
Q♥	3♥	9♥	K♠	K♦
7♠	8♥	3♠	7♥	3♦
5♦	A♠	K♣	7♦	6♥
J♦	8♦	4♣	2♣	Q♦

PROBABILITY

👑 0

○○○○○ -

○○○○○ -

○○○○○ -

○○○○○ 33.3%

○○○○○ -

○○○ -

○○○ -

○○ 33.3%

○ 33.3%

CARDS OUT

6♦

6♠

TIP 1

TIP 2

5"

RETRY

NEXT: NORMAL

OUT

○ STOP

TICKET TEST TICKET | SESSION TEST SESSION | EVENT: 30