



US00D907645S

(12) **United States Design Patent**
Chen

(10) **Patent No.:** **US D907,645 S**

(45) **Date of Patent:** **** Jan. 12, 2021**

(54) **MONITOR STAND**

(71) Applicant: **Haiqiang Chen**, Guangdong (CN)

(72) Inventor: **Haiqiang Chen**, Guangdong (CN)

(73) Assignee: **Shenzhen Shengdi Development Co., Ltd.**, Guangdong (CN)

(**) Term: **15 Years**

(21) Appl. No.: **29/676,025**

(22) Filed: **Jan. 8, 2019**

(51) **LOC (13) Cl.** **14-02**

(52) **U.S. Cl.**
USPC **D14/451**

(58) **Field of Classification Search**
USPC D14/224, 239, 251, 253, 316, 375, 376,
D14/432, 439, 447, 451, 452, 457;
D6/396, 444, 449, 510, 511, 513, 655,
D6/675, 675.1, 691.9; D34/38; D8/349,
D8/355, 363, 373, 380; 108/51.3;
248/121, 124.1, 127, 201, 205.1, 313,
248/415, 917-24; 312/223.3; 211/134,
211/151; D19/87
CPC G06F 3/0412; G06F 3/016; G06F 3/0488;
G06F 3/011; G06F 3/038; G06F 3/03543;
G06F 3/0338; G06F 3/0202; G06F
3/0219; G06F 3/0213; G06F 1/1616;
G06F 3/023; G06F 3/04883; G02F
1/13338; G09G 3/3648
See application file for complete search history.

(56) **References Cited**

U.S. PATENT DOCUMENTS

D273,248 S * 4/1984 Secon D6/686
D559,257 S * 1/2008 Hughes D14/451

D568,889 S * 5/2008 Hughes D14/447
D587,664 S * 3/2009 Cometti D14/126
D703,213 S * 4/2014 Gifford D14/447
D705,556 S * 5/2014 Udagawa D6/349
D717,289 S * 11/2014 Takabatake D14/252
D734,628 S * 7/2015 Wang D6/675.5
D753,642 S * 4/2016 Iimuro D14/253
D764,213 S * 8/2016 Clark D6/675
D776,112 S * 1/2017 Bae D14/374
D785,983 S * 5/2017 Denby D6/689
D840,410 S * 2/2019 Kuo D14/451

* cited by examiner

Primary Examiner — Katie Jane Stofko

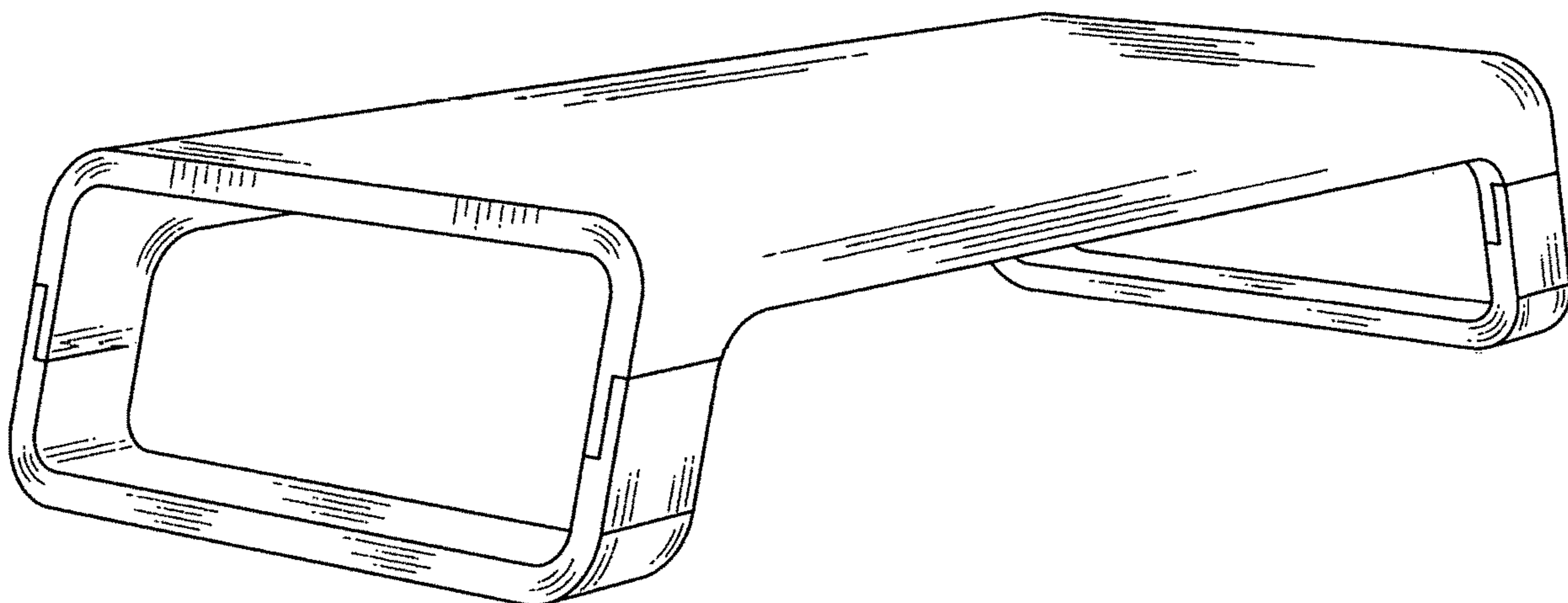
(57) **CLAIM**

The ornamental design for a monitor stand, as shown and described.

DESCRIPTION

FIG. 1 is a perspective view of a Monitor Stand showing my new design;
FIG. 2 is a front elevation view thereof;
FIG. 3 is a rear elevation view thereof;
FIG. 4 is a left side elevation view thereof;
FIG. 5 is a right side elevation view thereof;
FIG. 6 is a top plan view thereof;
FIG. 7 is a bottom plan view thereof; and,
FIG. 8 is a perspective view thereof, shown in an environment of use. The broken lines depict environment only and form no part of the claimed design.

1 Claim, 8 Drawing Sheets



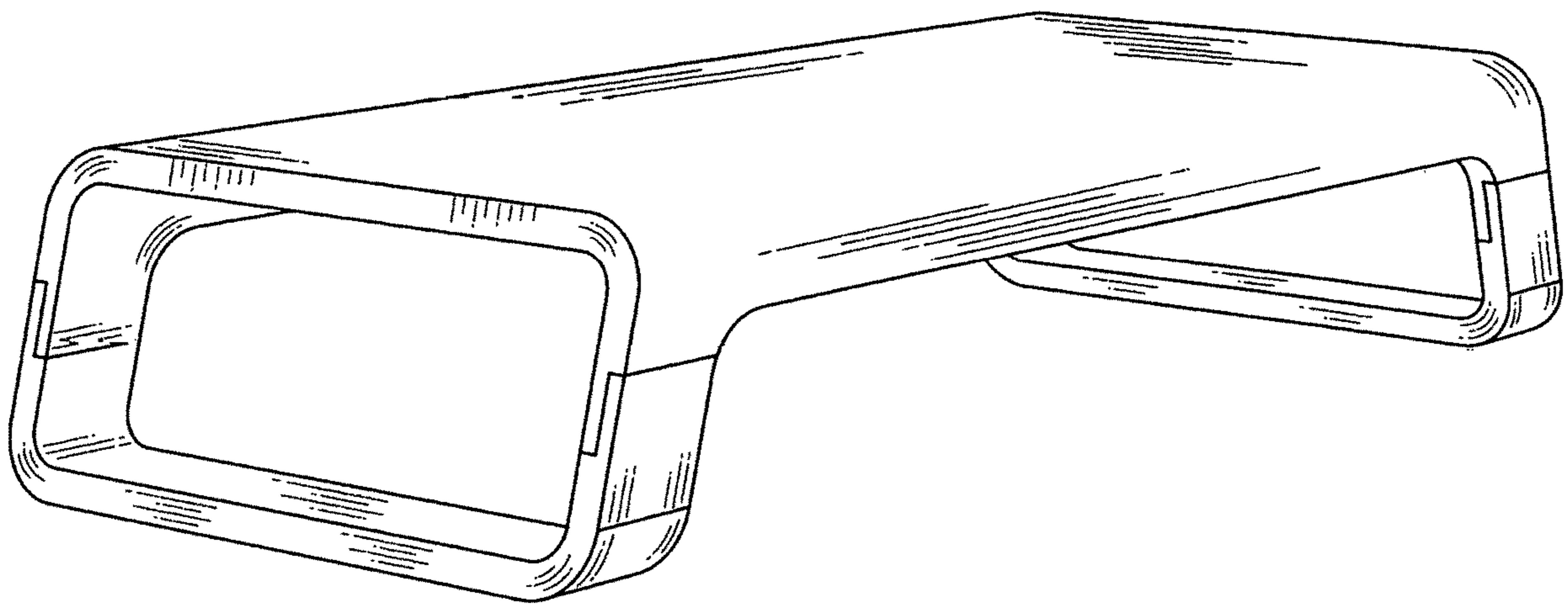


FIG.1

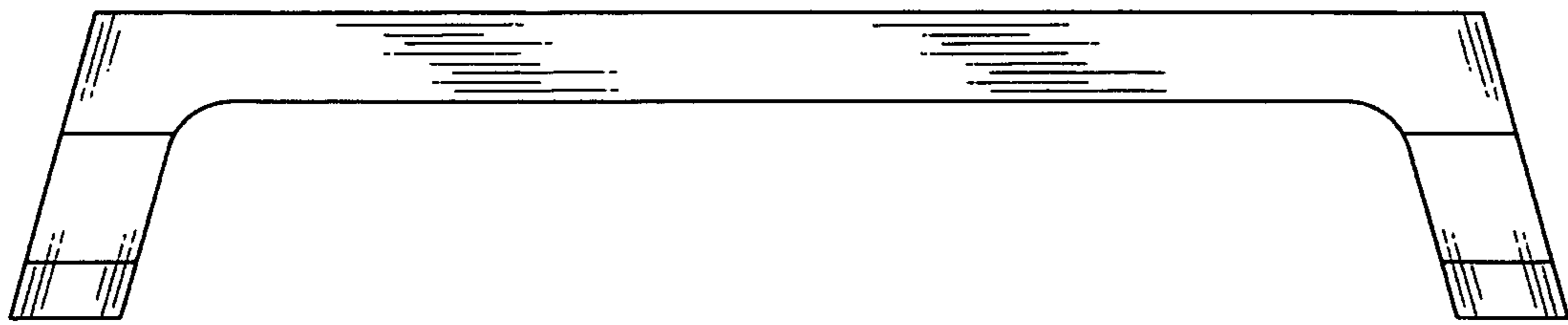


FIG. 2

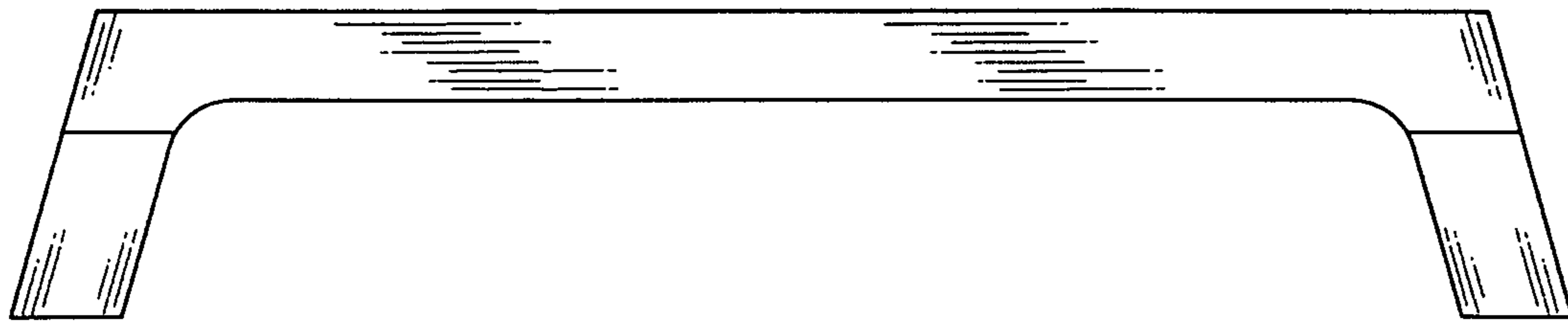


FIG.3

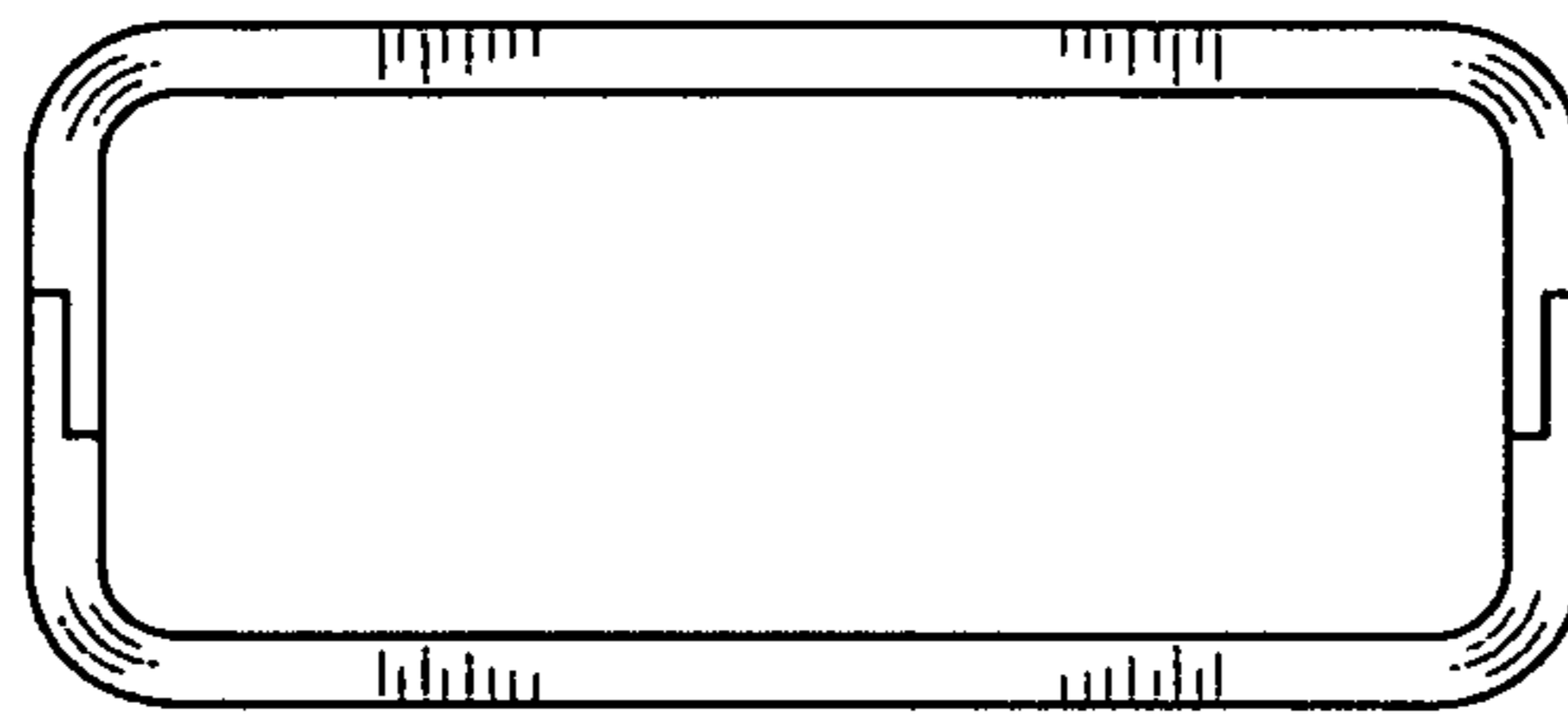


FIG.4

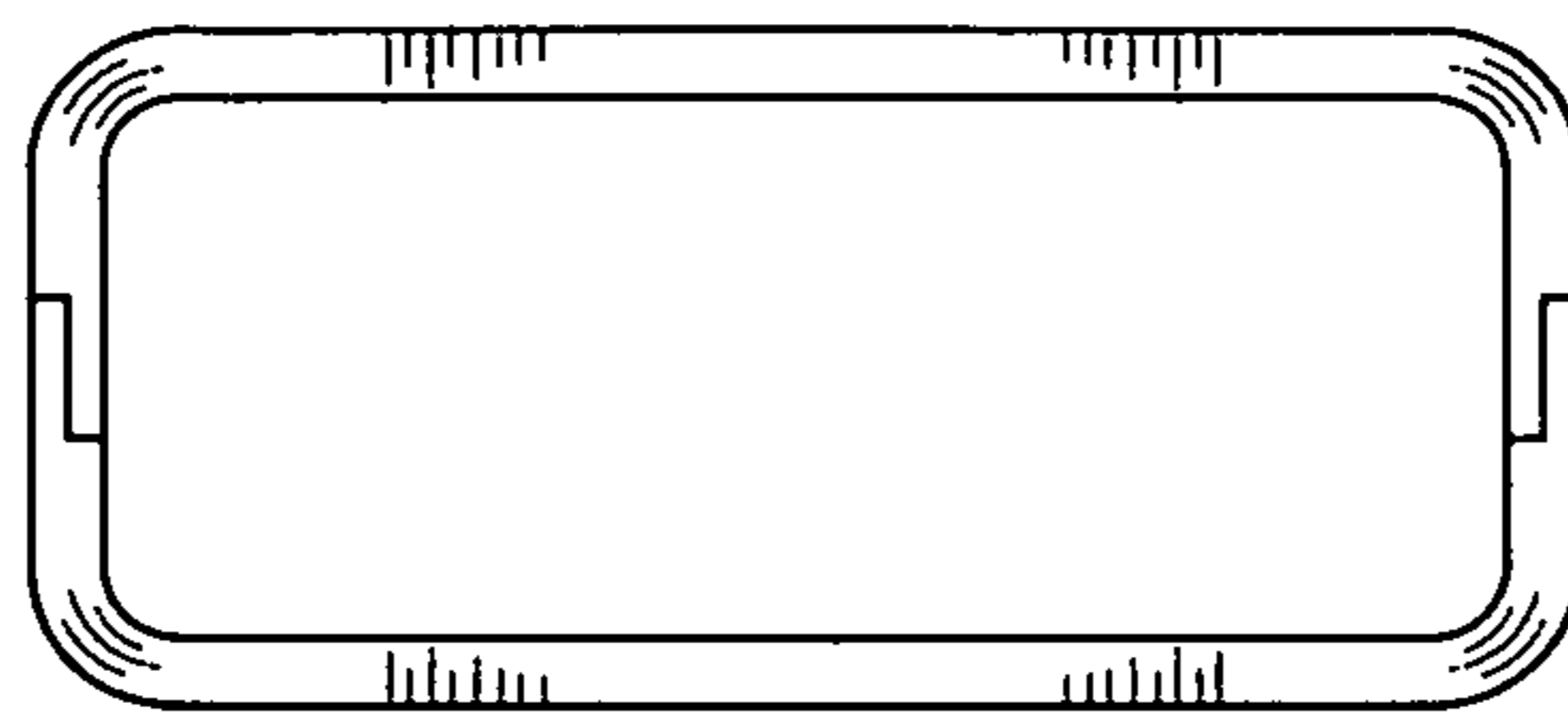


FIG.5

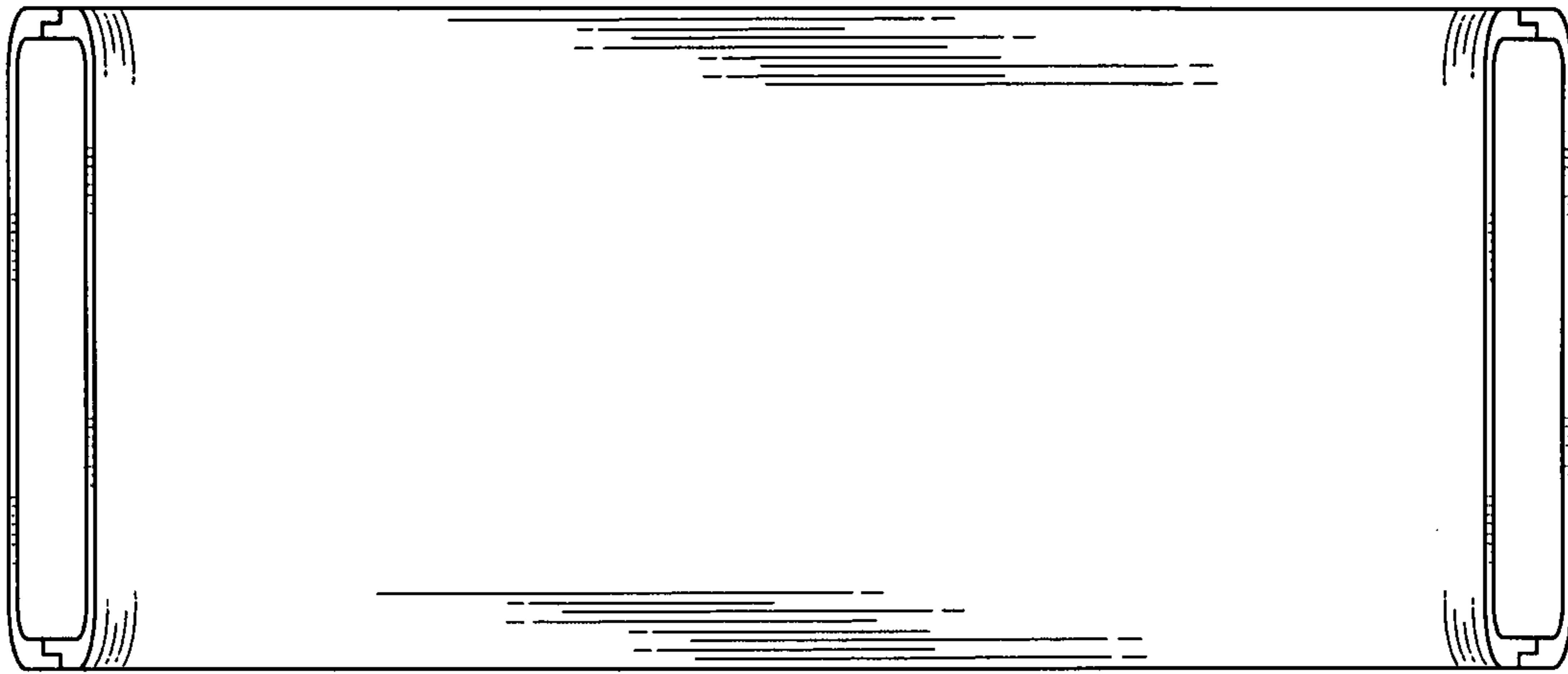


FIG.6

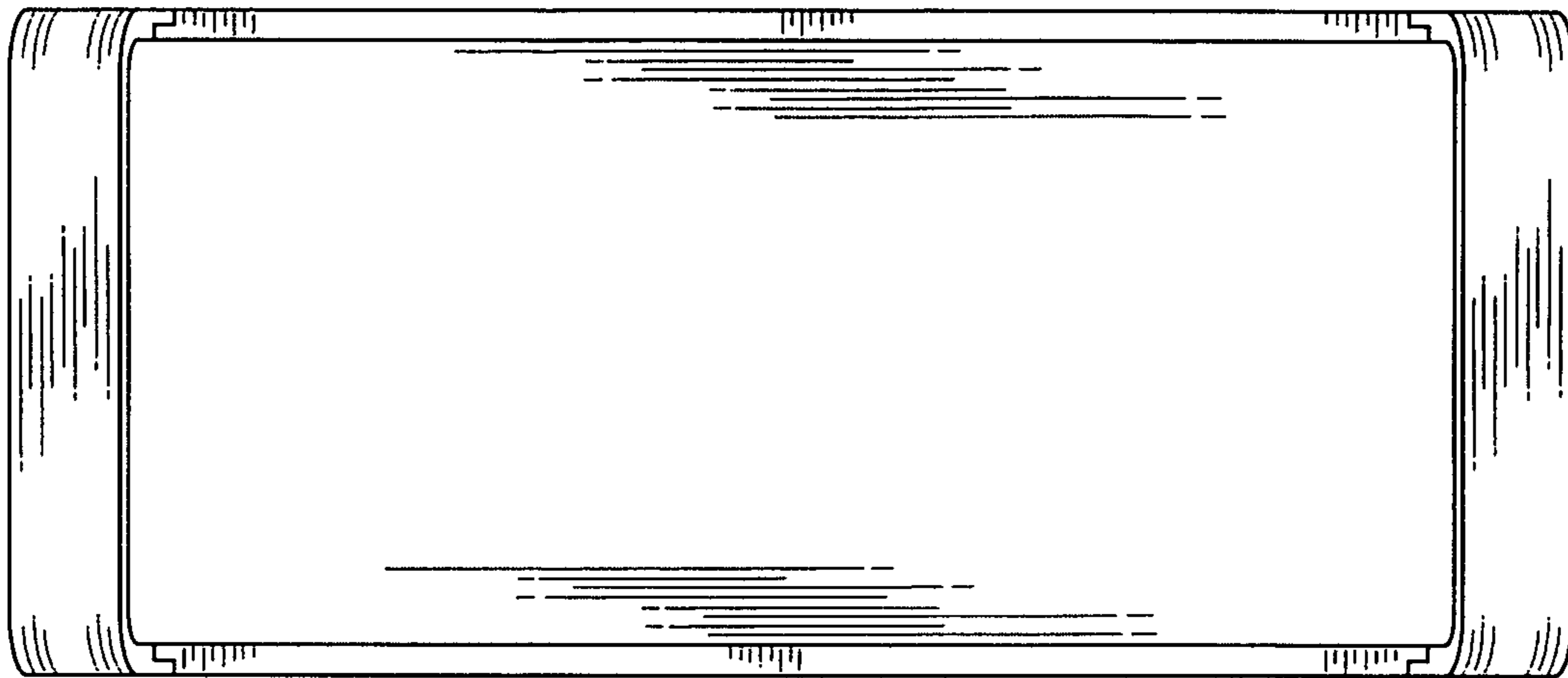


FIG. 7

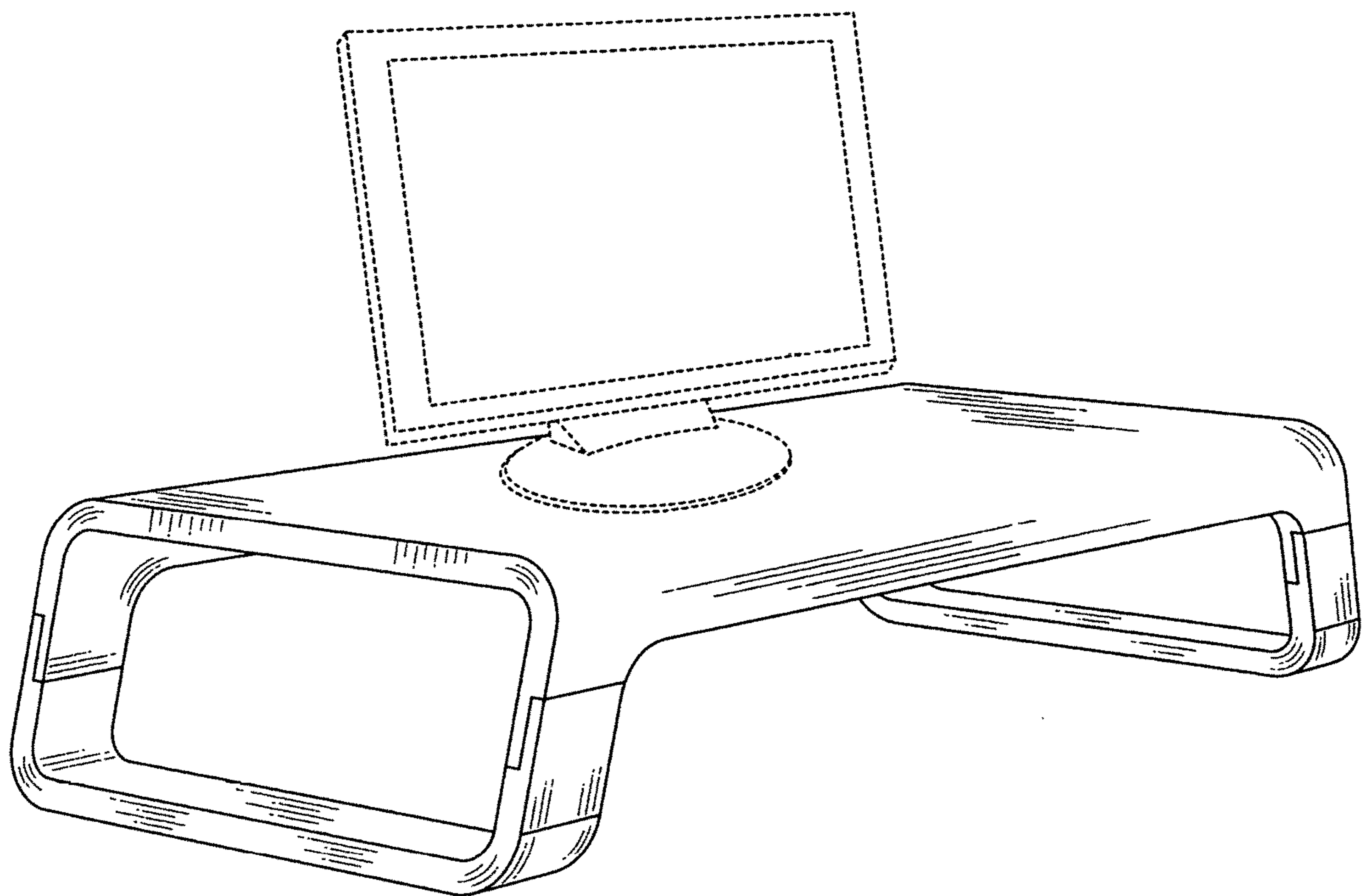


FIG. 8