



US00D907643S

(12) **United States Design Patent** (10) **Patent No.:** **US D907,643 S**
Wengreen (45) **Date of Patent:** **** Jan. 12, 2021**

(54) **MOUNT FOR ELECTRONIC DEVICES**
(71) Applicant: **Innovelis, Inc.**, Sammamish, WA (US)
(72) Inventor: **Eric John Wengreen**, Sammamish, WA (US)
(73) Assignee: **Innovelis, Inc.**, Sammamish, WA (US)
(**) Term: **15 Years**
(21) Appl. No.: **29/715,709**

D803,030 S 11/2017 Wengreen
D804,289 S 12/2017 Wengreen
D806,521 S 1/2018 Wengreen
D808,367 S 1/2018 Wengreen
D812,064 S 3/2018 Wengreen
D813,241 S 3/2018 Wengreen
10,117,344 B2 10/2018 Wengreen
10,194,544 B2 1/2019 Wengreen
D852,803 S * 7/2019 Lin D14/447
D857,019 S * 8/2019 Mecchella D14/434
D886,110 S * 6/2020 Akana D14/447
D887,418 S * 6/2020 Valentine D14/447
D900,826 S * 11/2020 Zhong D14/434

* cited by examiner

(22) Filed: **Dec. 4, 2019**
(51) **LOC (13) Cl.** **08-07**
(52) **U.S. Cl.**
USPC **D14/447**
(58) **Field of Classification Search**
USPC D14/447, 432, 434, 439, 440, 451, 452,
D14/457, 239, 253; D8/363, 373, 380;
D6/406.3, 406.4, 406.5, 406.6; D12/415
CPC A47B 21/04; A47B 2097/006; A47B
2097/005; A47B 2023/049; A45C
2011/002; A45C 2011/003; F16M
2200/00; F16M 13/00
See application file for complete search history.

Primary Examiner — Angela J Lee

(57) **CLAIM**

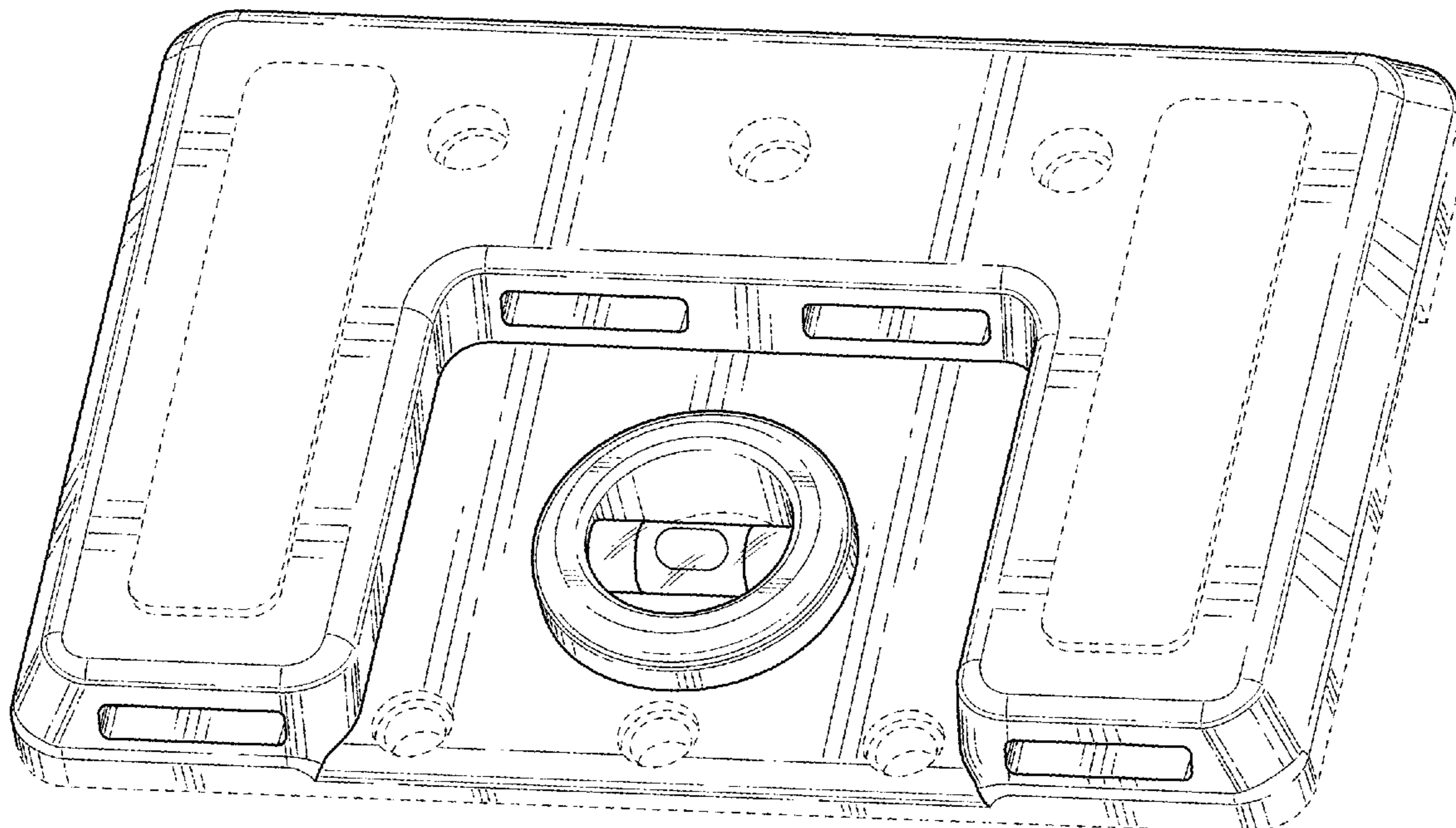
The ornamental design for a mount for electronic devices, as shown and described.

DESCRIPTION

FIG. 1 is a front, first side, and bottom perspective view of a mount for electronic devices embodying the new design; FIG. 2 is a front, second side, and top perspective view thereof; FIG. 3 is a back, second side, and top perspective view thereof; FIG. 4 is a front view thereof; FIG. 5 is a back view thereof; FIG. 6 is a bottom view thereof; FIG. 7 is a top view thereof; and, FIG. 8 is a first side view thereof, the second side view being a mirror image. The uniform repeating broken lines depict portions of a mount for electronic devices in which the claimed design is embodied and form no part of the claimed design.

(56) **References Cited**
U.S. PATENT DOCUMENTS
D413,872 S * 9/1999 Jessen D14/447
D442,939 S * 5/2001 Goldenburg D13/108
D581,303 S * 11/2008 Concari D10/104.1
D583,821 S * 12/2008 Richter D14/447
D692,897 S * 11/2013 Luijben D14/447
D696,260 S * 12/2013 Merea D14/447
D698,793 S * 2/2014 Graham D14/447
D765,064 S * 8/2016 Wengreen D14/238.1
D790,550 S * 6/2017 Chen D14/440

1 Claim, 8 Drawing Sheets



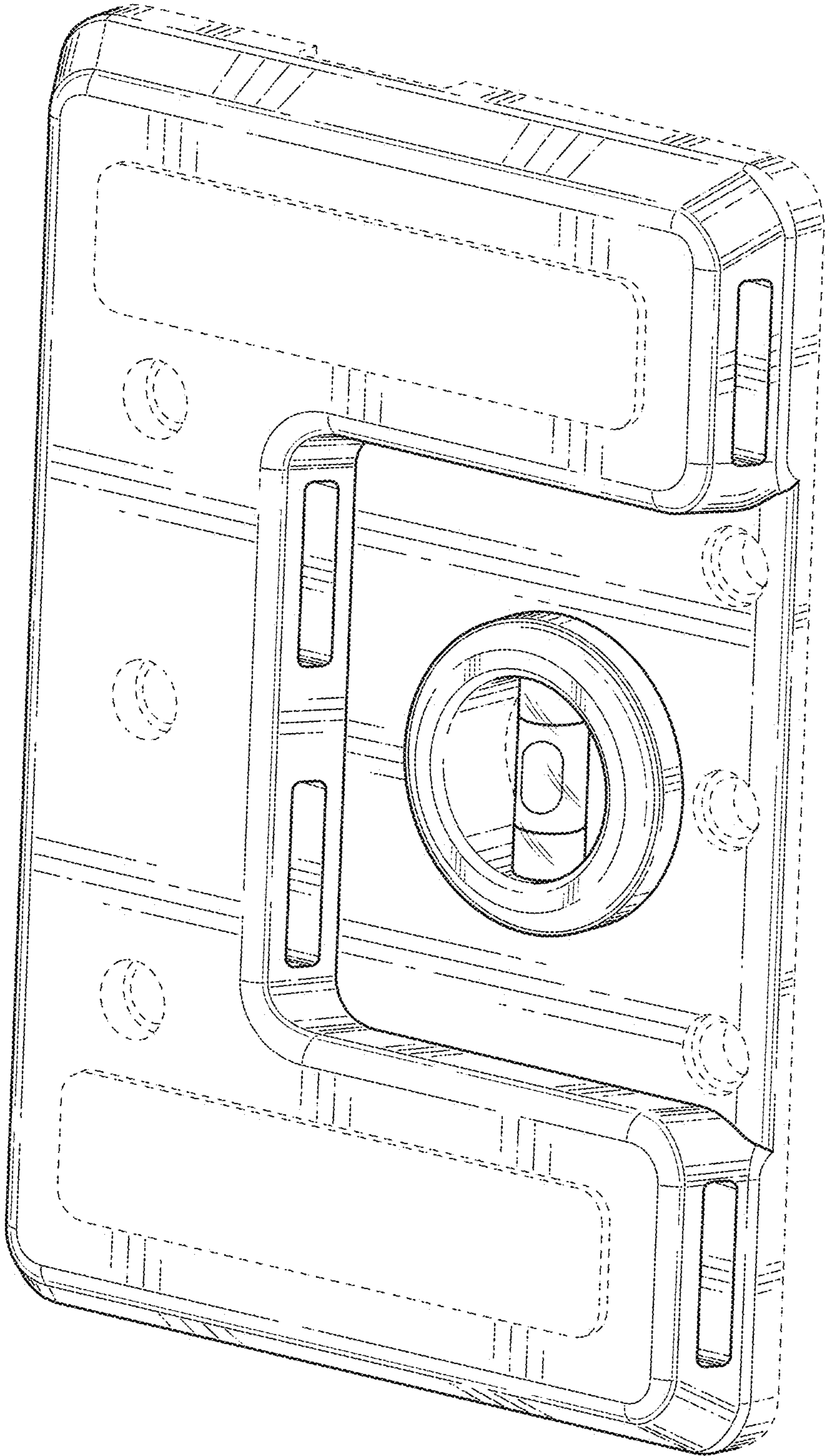


FIG. 1

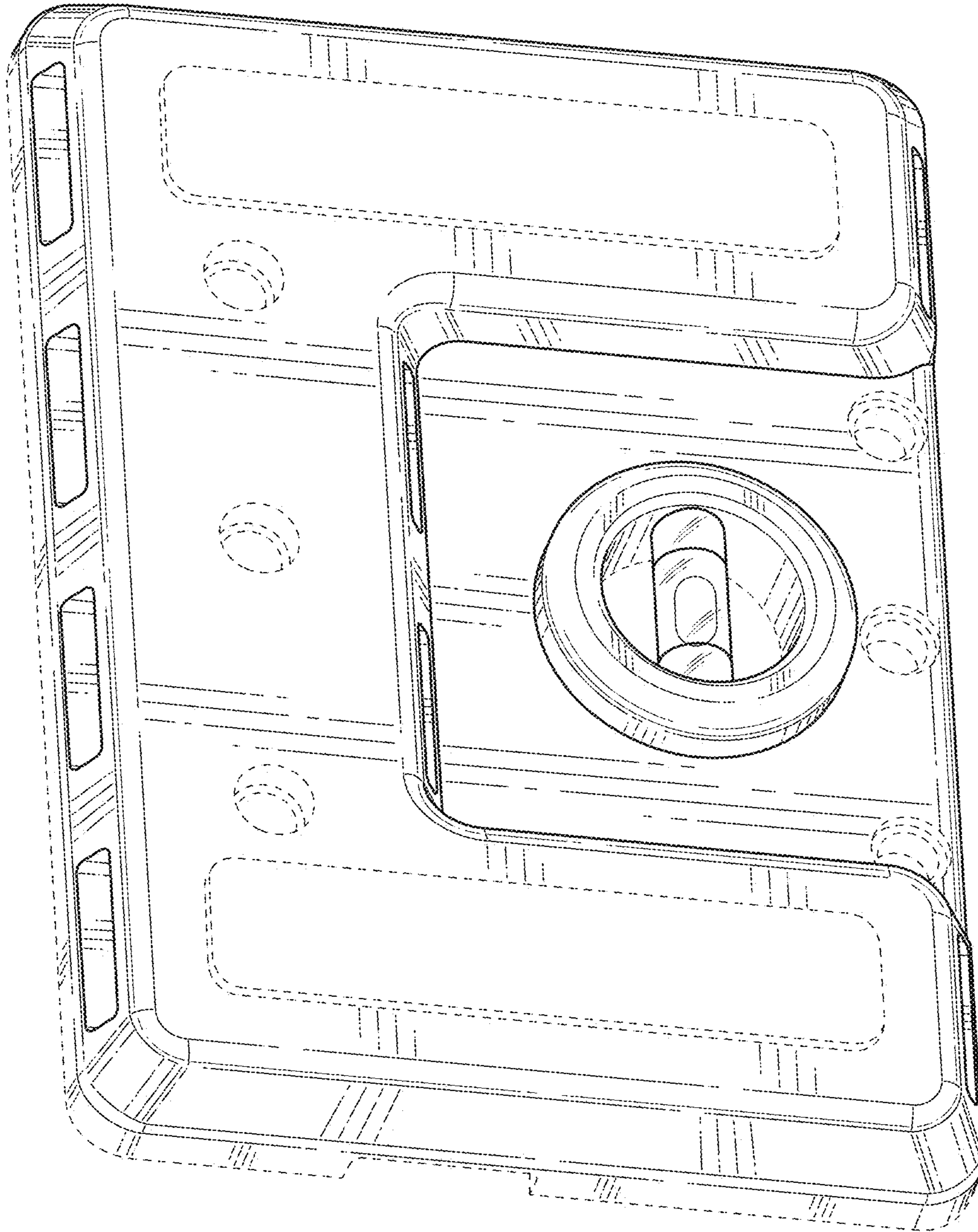


FIG. 2

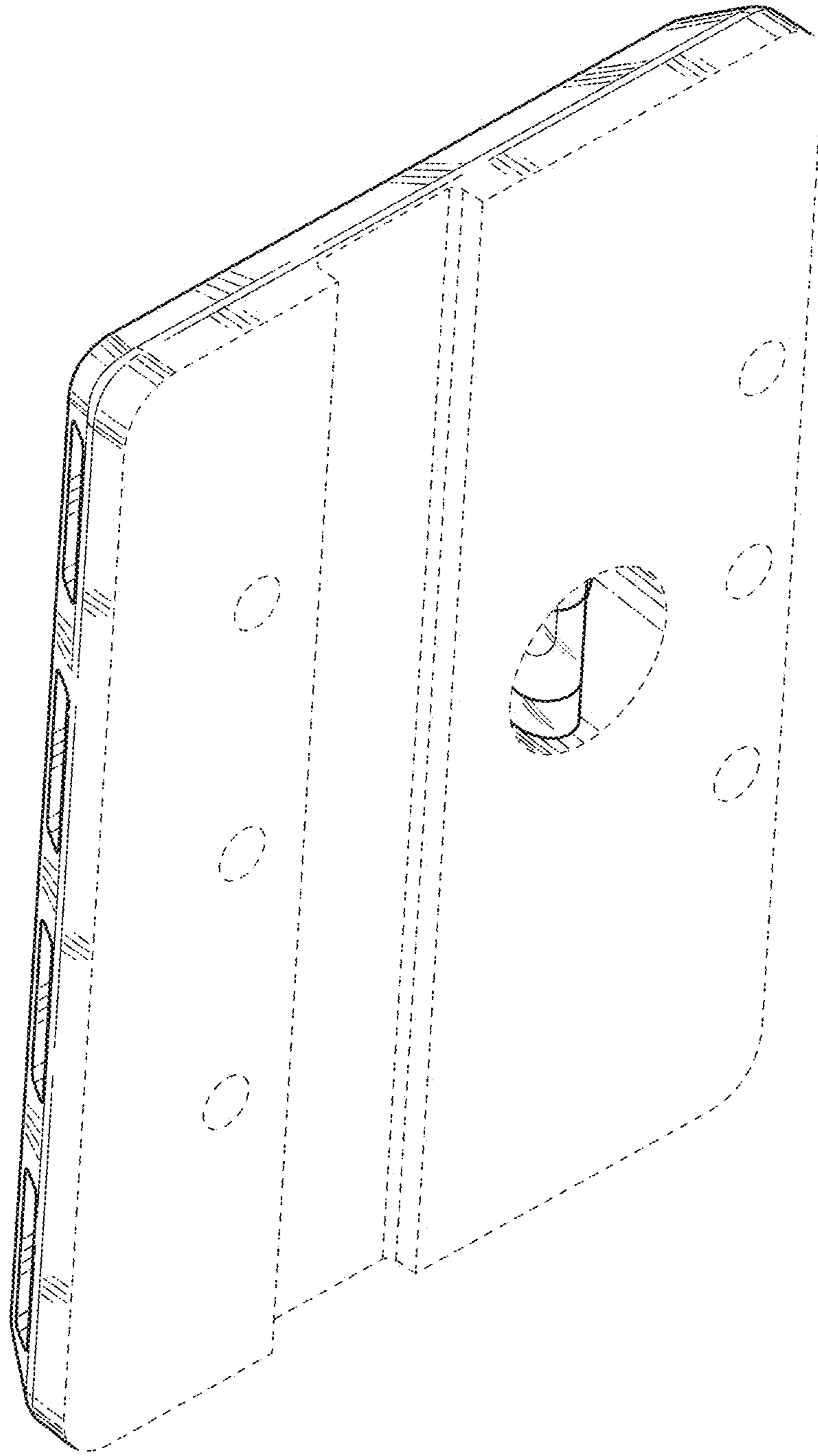


FIG. 3

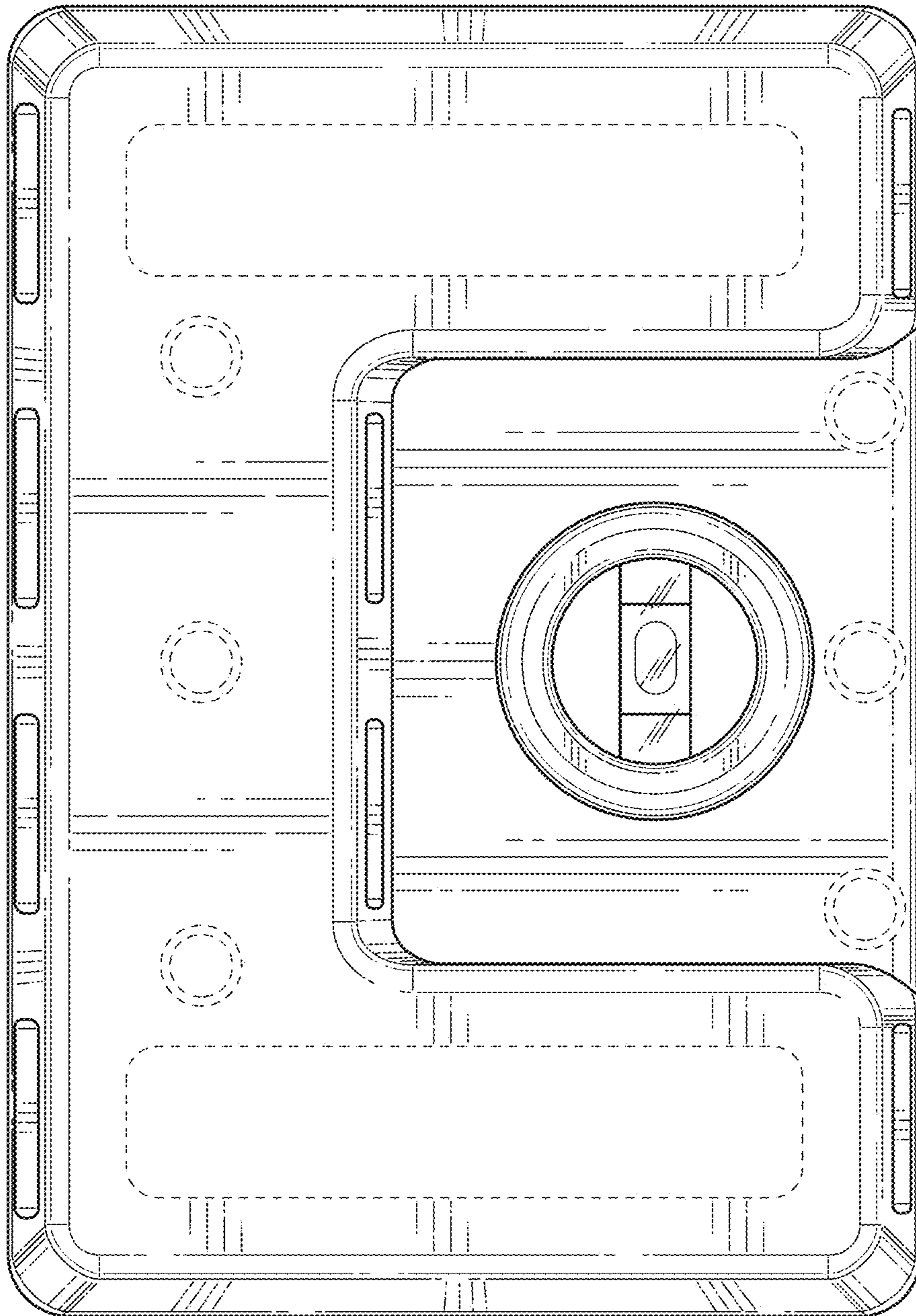


FIG. 4

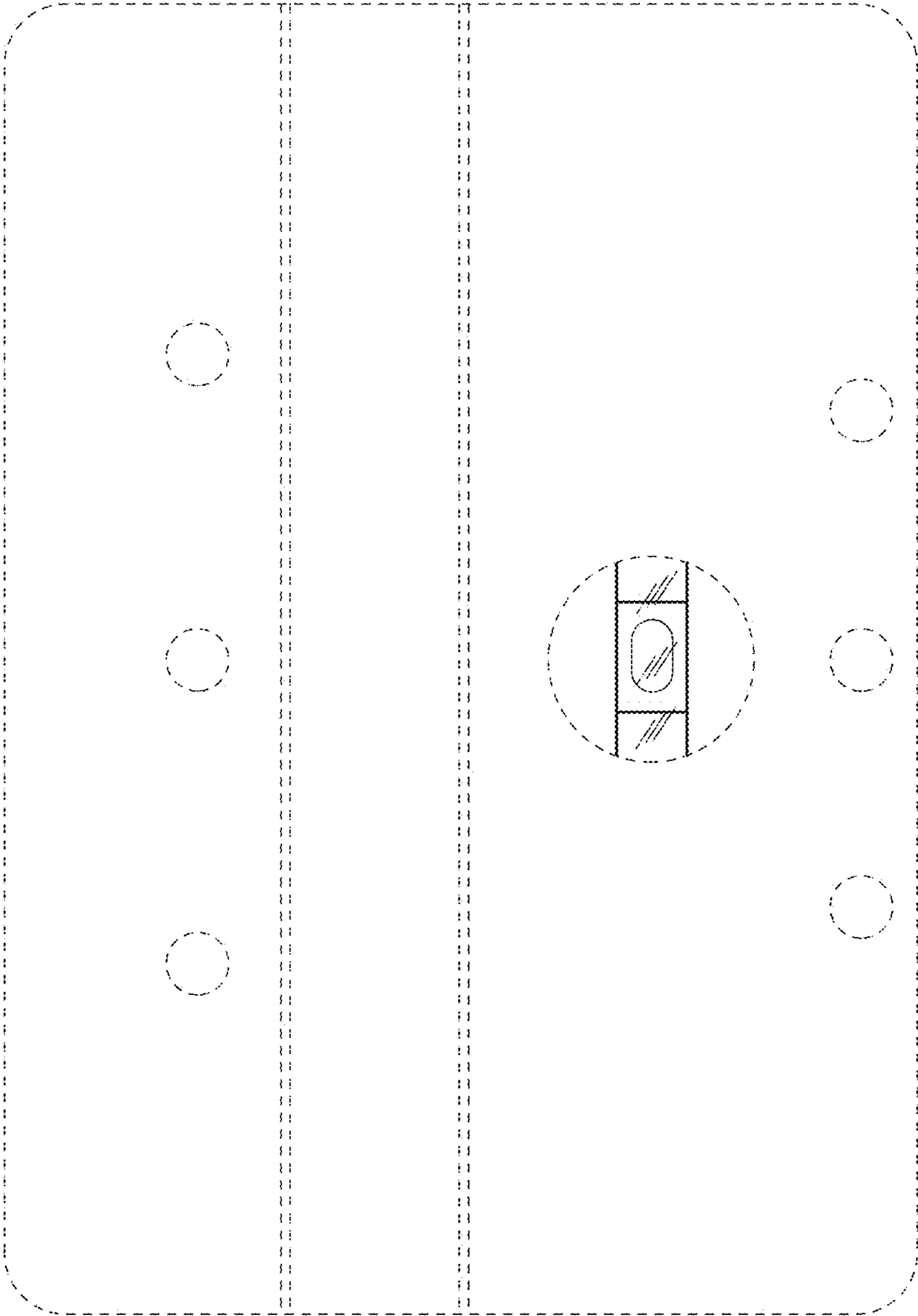


FIG. 5

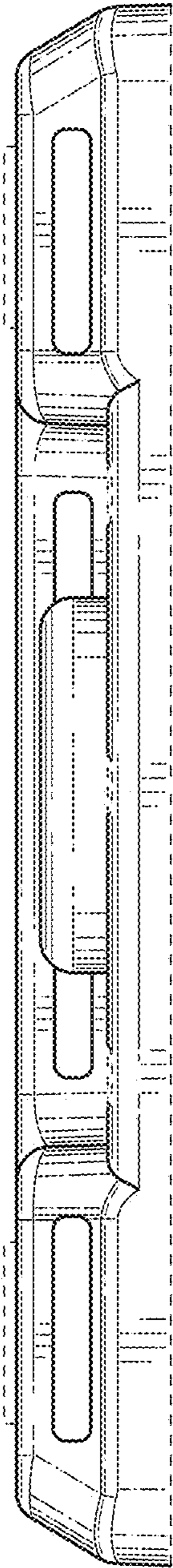


FIG. 6

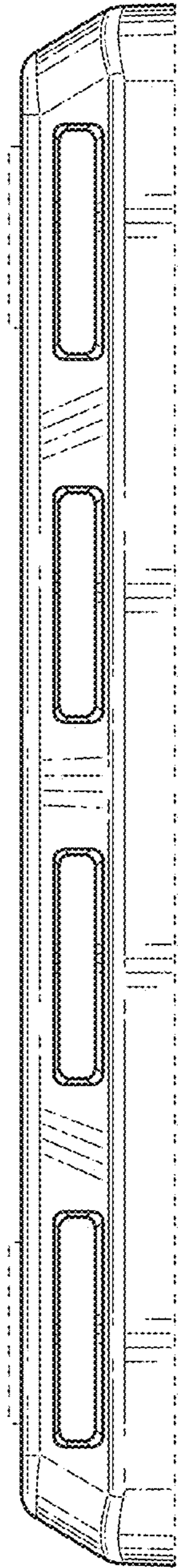


FIG. 7

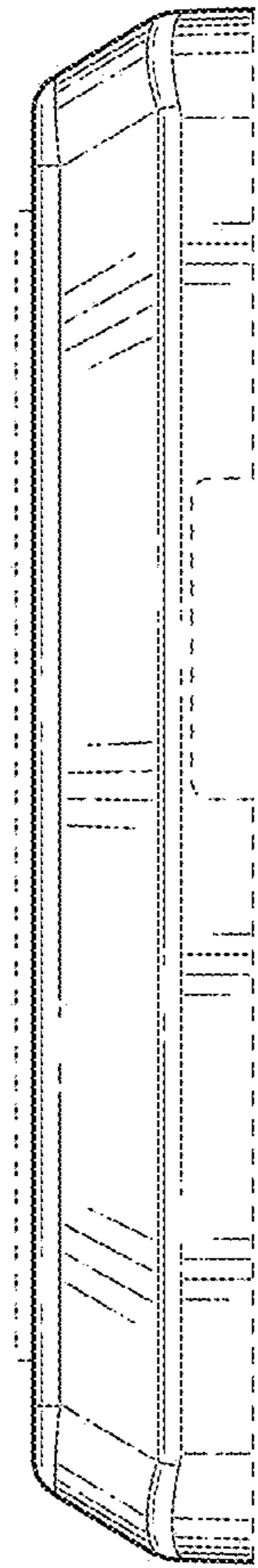


FIG. 8