



US00D907642S

(12) **United States Design Patent**  
**Balch et al.**

(10) **Patent No.:** **US D907,642 S**  
(45) **Date of Patent:** **\*\* Jan. 12, 2021**

(54) **MULLION MOUNT**

(71) Applicant: **Crestron Electronics, Inc.**, Rockleigh, NJ (US)

(72) Inventors: **Howard S Balch**, Bloomingdale, NY (US); **Daniel Previti**, Tarrytown, NY (US); **Wendy Feldstein**, Old Tappan, NY (US)

(73) Assignee: **Crestron Electronics, Inc.**, Rockleigh, NJ (US)

(\*\*) Term: **15 Years**

(21) Appl. No.: **29/710,423**

(22) Filed: **Oct. 23, 2019**

(51) **LOC (13) Cl.** ..... **14-02**

(52) **U.S. Cl.**  
USPC ..... **D14/447**

(58) **Field of Classification Search**  
USPC ..... D14/238, 230, 237, 233, 273, 140.6, D14/140.5, 224.1, 238.1, 239, 448-450, D14/451, 447; D12/401, 410, 413; D8/356, 363, 373, 380  
CPC ..... A47B 21/04; A47B 2097/006; A47B 2023/049; A45C 2011/002; A45C 2011/003; F16M 2200/00; F16M 13/00  
See application file for complete search history.

(56) **References Cited**

**U.S. PATENT DOCUMENTS**

|              |         |                   |       |           |
|--------------|---------|-------------------|-------|-----------|
| D179,133 S * | 11/1956 | Gordon            | ..... | D10/106.1 |
| D229,831 S * | 1/1974  | Sparling          | ..... | D13/152   |
| D289,284 S * | 4/1987  | Giordano, Jr.     | ..... | D14/239   |
| D346,792 S * | 5/1994  | Tessmer           | ..... | D13/184   |
| D467,561 S * | 12/2002 | Kosciolek         | ..... | D14/129   |
| D690,661 S   | 10/2013 | Wisniewski et al. |       |           |
| D713,828 S * | 9/2014  | Stifal            | ..... | D14/239   |
| D718,960 S * | 12/2014 | Sanderson         | ..... | D6/675.5  |
| D718,961 S * | 12/2014 | Sanderson         | ..... | D6/675.5  |

|                 |         |            |       |           |
|-----------------|---------|------------|-------|-----------|
| D791,861 S *    | 7/2017  | Battle     | ..... | D18/4.5   |
| D792,415 S *    | 7/2017  | Tsai       | ..... | D14/447   |
| D830,369 S *    | 10/2018 | Grundstrom | ..... | D14/447   |
| 10,439,345 B2 * | 10/2019 | Jung       | ..... | H04M 1/04 |

(Continued)

**OTHER PUBLICATIONS**

“Product Specifications: TSS-752-MUMK”, © Crestron Electronics, Inc., Revised Aug. 13, 2015, [https://www.crestron.com/getmedia/d75af724-ff1b-41de-8304-8424f14decaa/ss\\_tss-752-mumk\\_1](https://www.crestron.com/getmedia/d75af724-ff1b-41de-8304-8424f14decaa/ss_tss-752-mumk_1).  
(Continued)

*Primary Examiner* — Keli L Hill  
*Assistant Examiner* — Harold E Blackwell, II  
(74) *Attorney, Agent, or Firm* — Crestron Electronics, Inc.

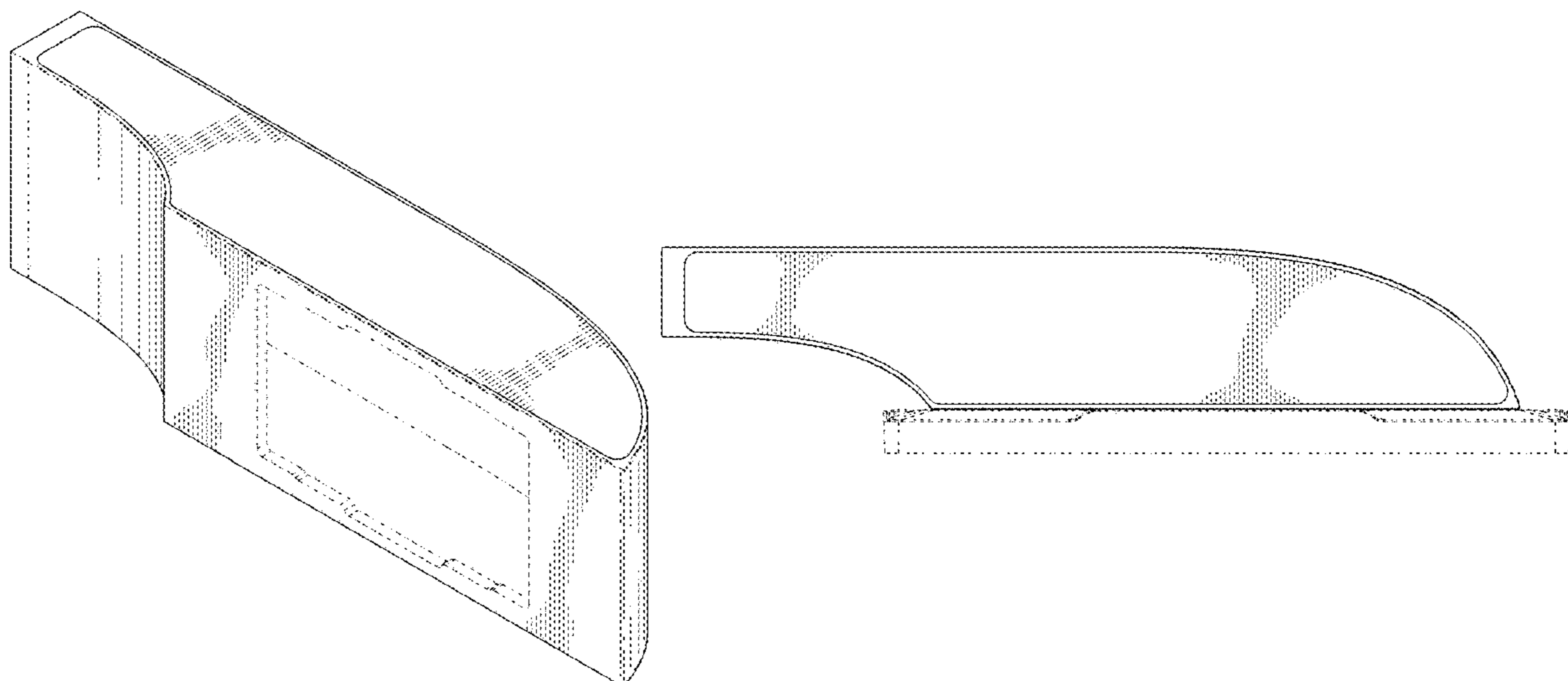
(57) **CLAIM**

The ornamental design for a mullion mount, as shown and described.

**DESCRIPTION**

FIG. 1 shows a front perspective view of a mullion mount, showing the inventor’s new design;  
FIG. 2 shows a front elevation view thereof;  
FIG. 3 shows a rear elevation view thereof;  
FIG. 4 shows a left elevation view thereof;  
FIG. 5 shows a top plan view thereof;  
FIG. 6 shows a bottom plan view thereof;  
FIG. 7 shows a front elevation view thereof having an interface device inserted therein;  
FIG. 8 shows a top plan view thereof having an interface device inserted therein; and,  
FIG. 9 shows a front elevation view thereof having an interface device inserted therein and attached at an end thereof to a side of a mullion.  
The broken line portion of the figure drawings is included to show unclaimed subject matter only and forms no part of the claimed design.

**1 Claim, 9 Drawing Sheets**



(56)

**References Cited**

U.S. PATENT DOCUMENTS

D891,827 S \* 8/2020 Haller ..... D6/672  
2015/0253813 A1 \* 9/2015 Morrow ..... F16M 13/00  
248/229.1

OTHER PUBLICATIONS

“Do Guide for: TSS-752-MUMK”, © 2015 Crestron Electronics,  
Inc., [https://www.crestron.com/getmedia/4512373f-1db1-4017-8364-d9ddeb83e602/mg\\_do\\_tss-752-mumk7619C\\_1](https://www.crestron.com/getmedia/4512373f-1db1-4017-8364-d9ddeb83e602/mg_do_tss-752-mumk7619C_1).

\* cited by examiner

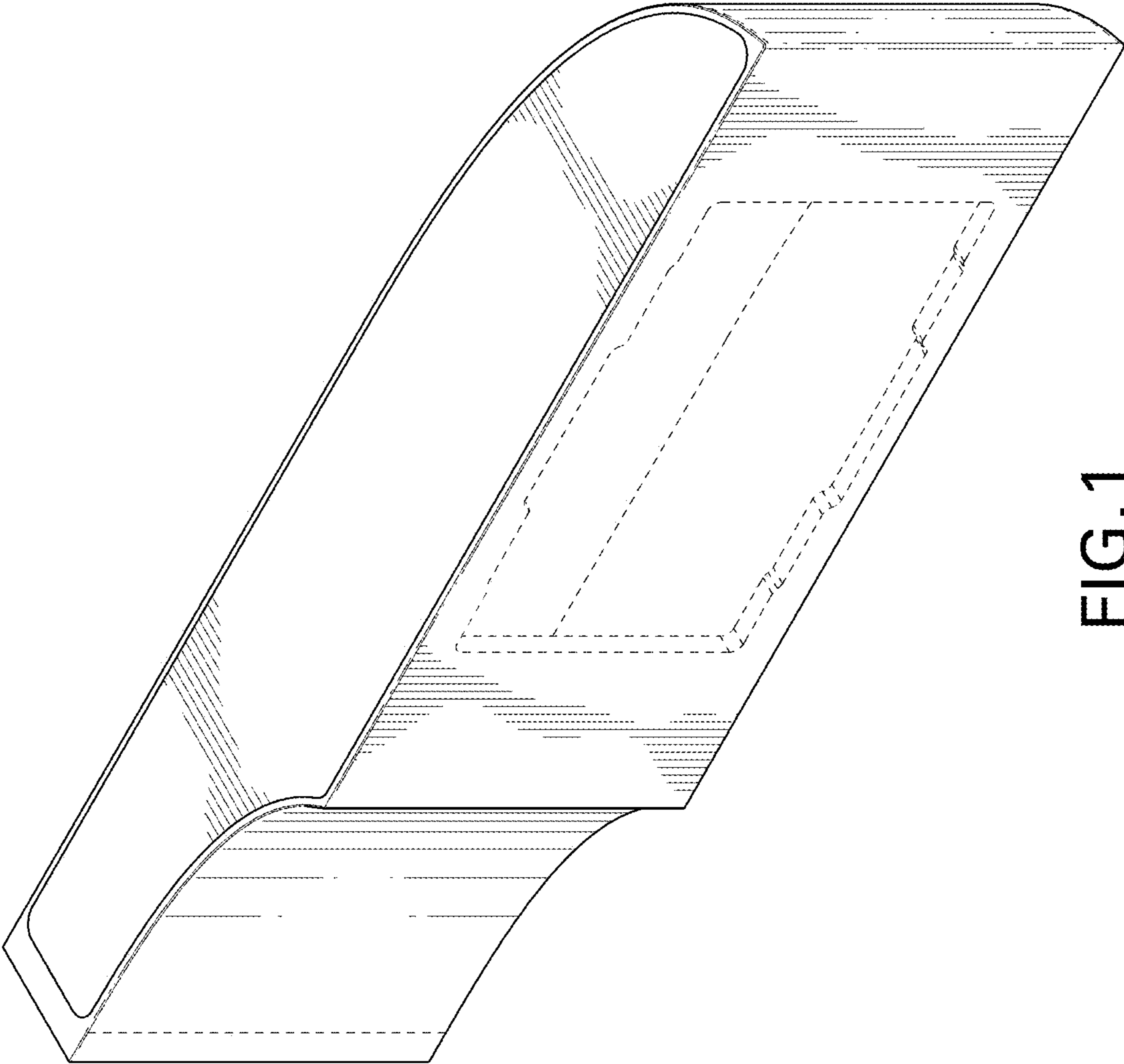


FIG. 1

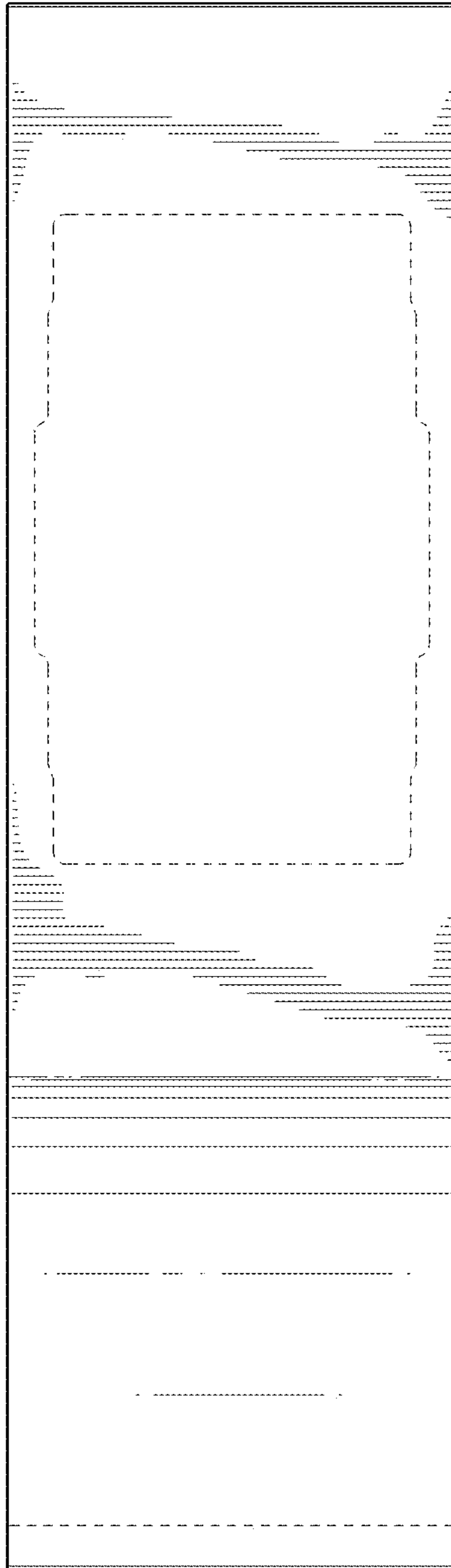


FIG. 2

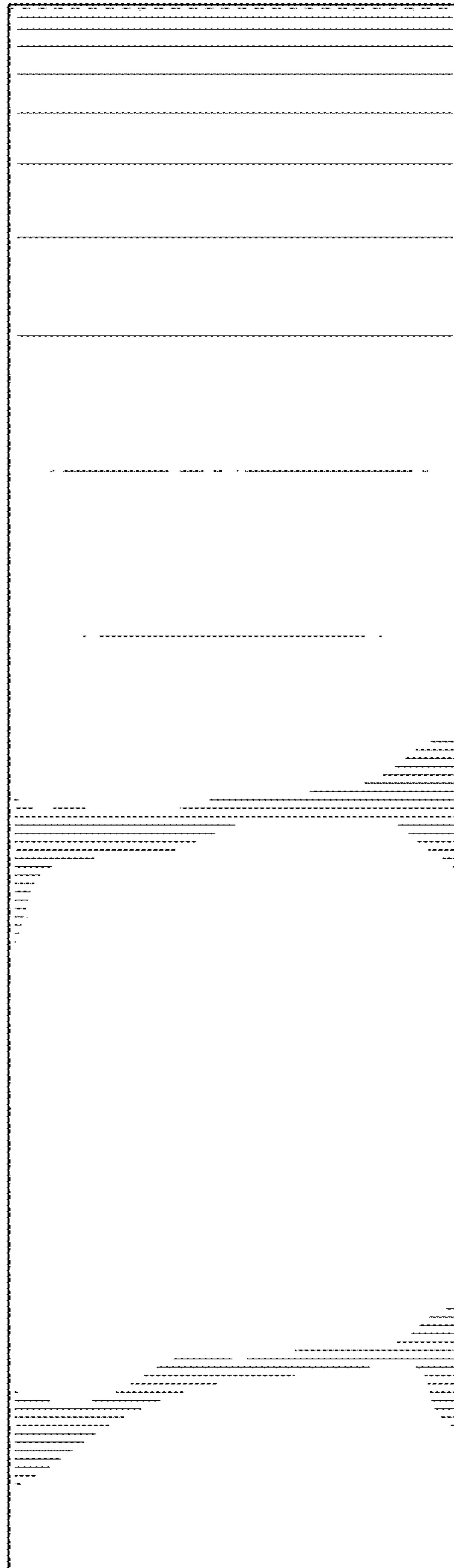


FIG. 3

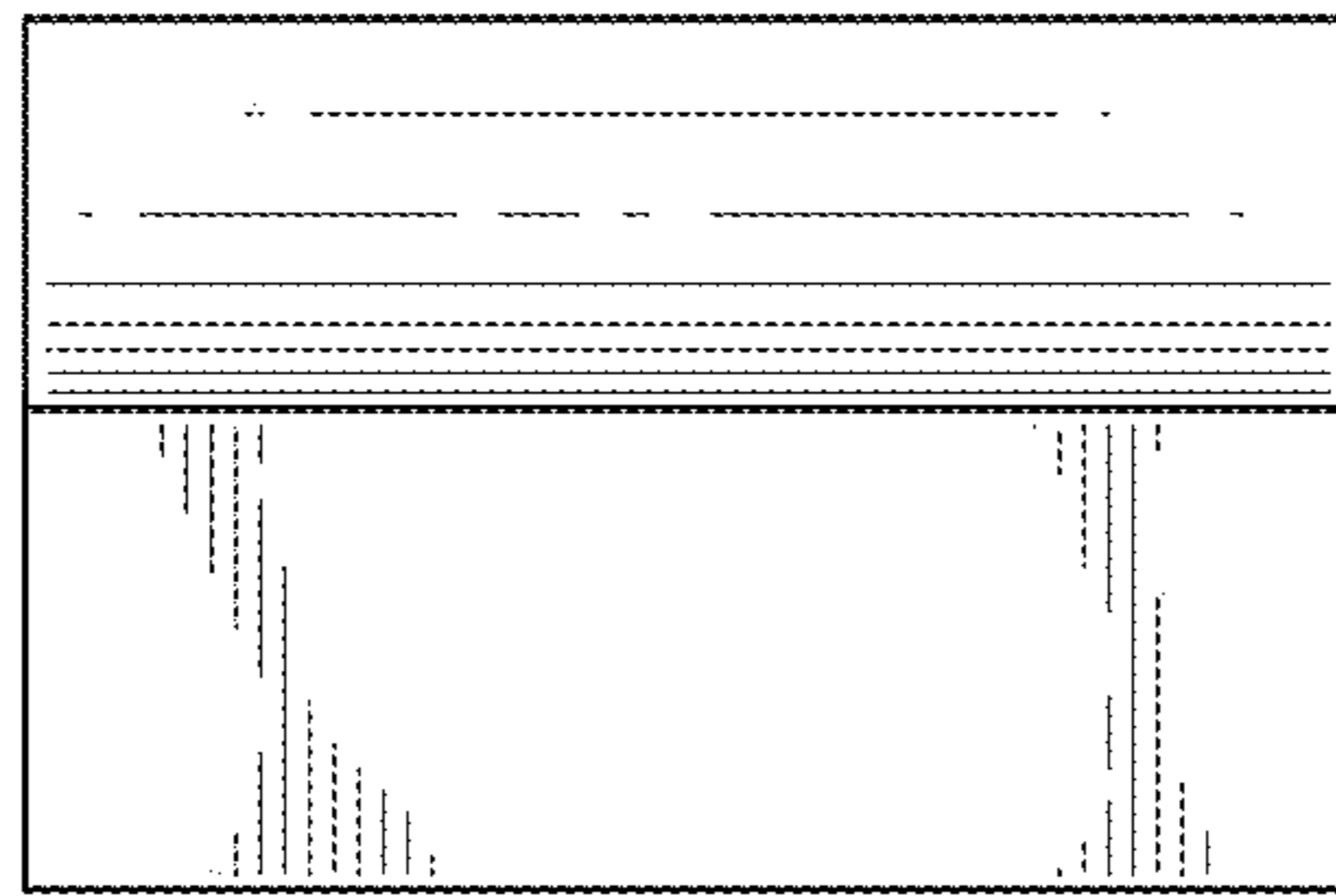


FIG. 4

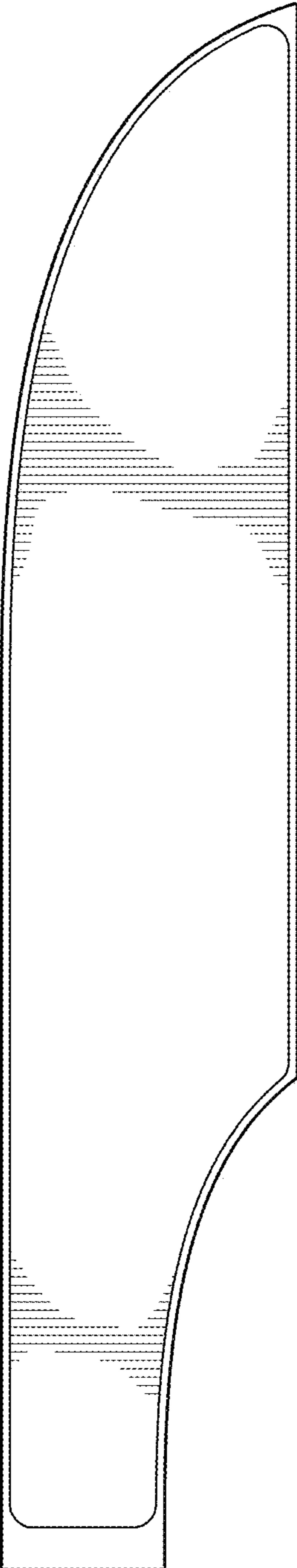


FIG. 5

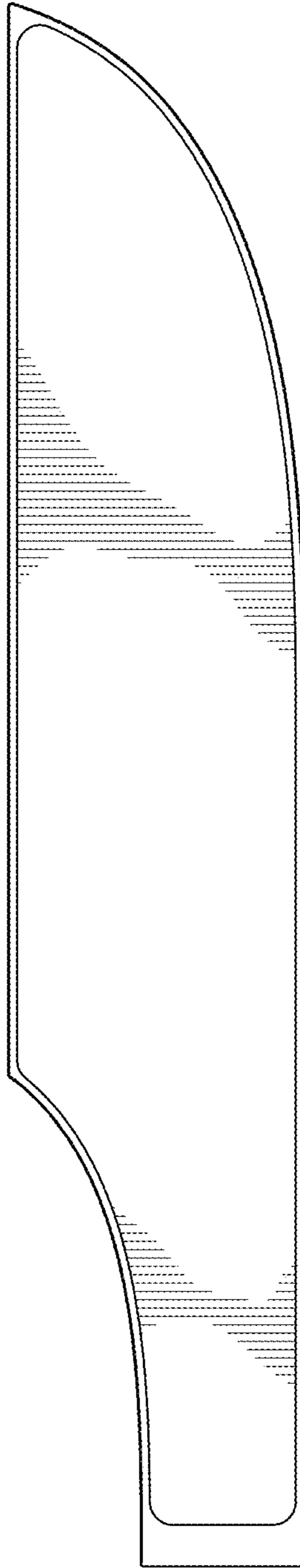


FIG. 6



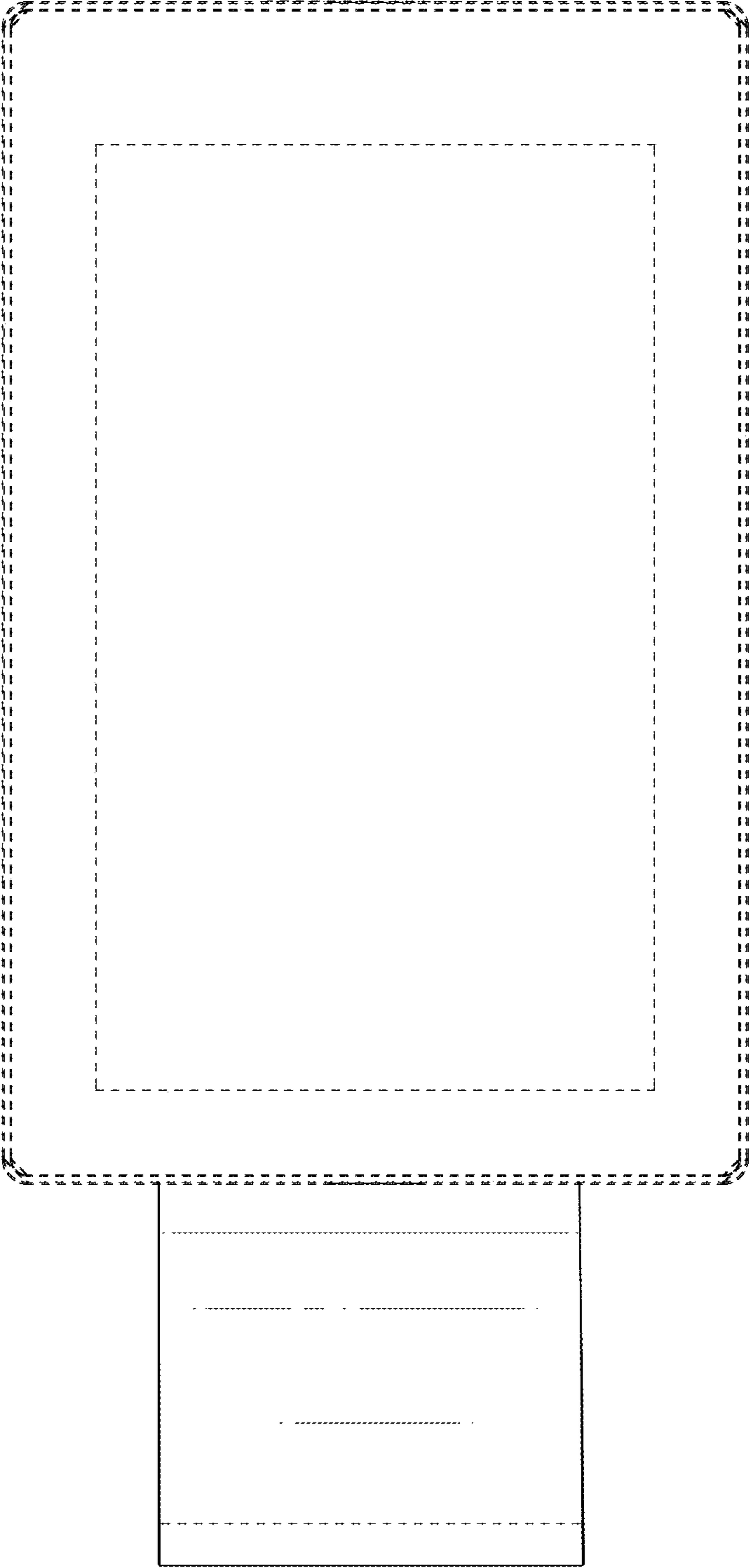


FIG. 7

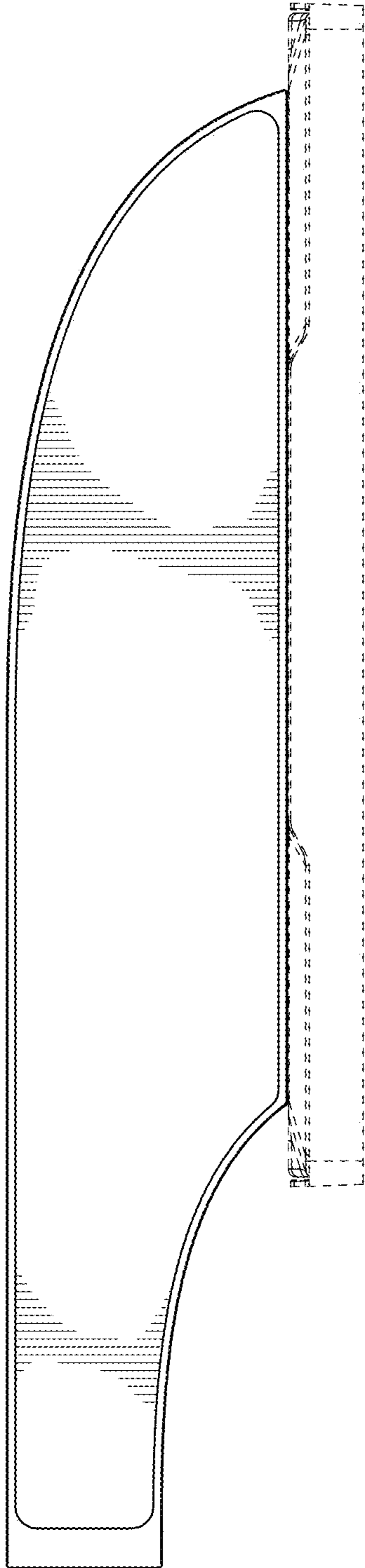


FIG. 8

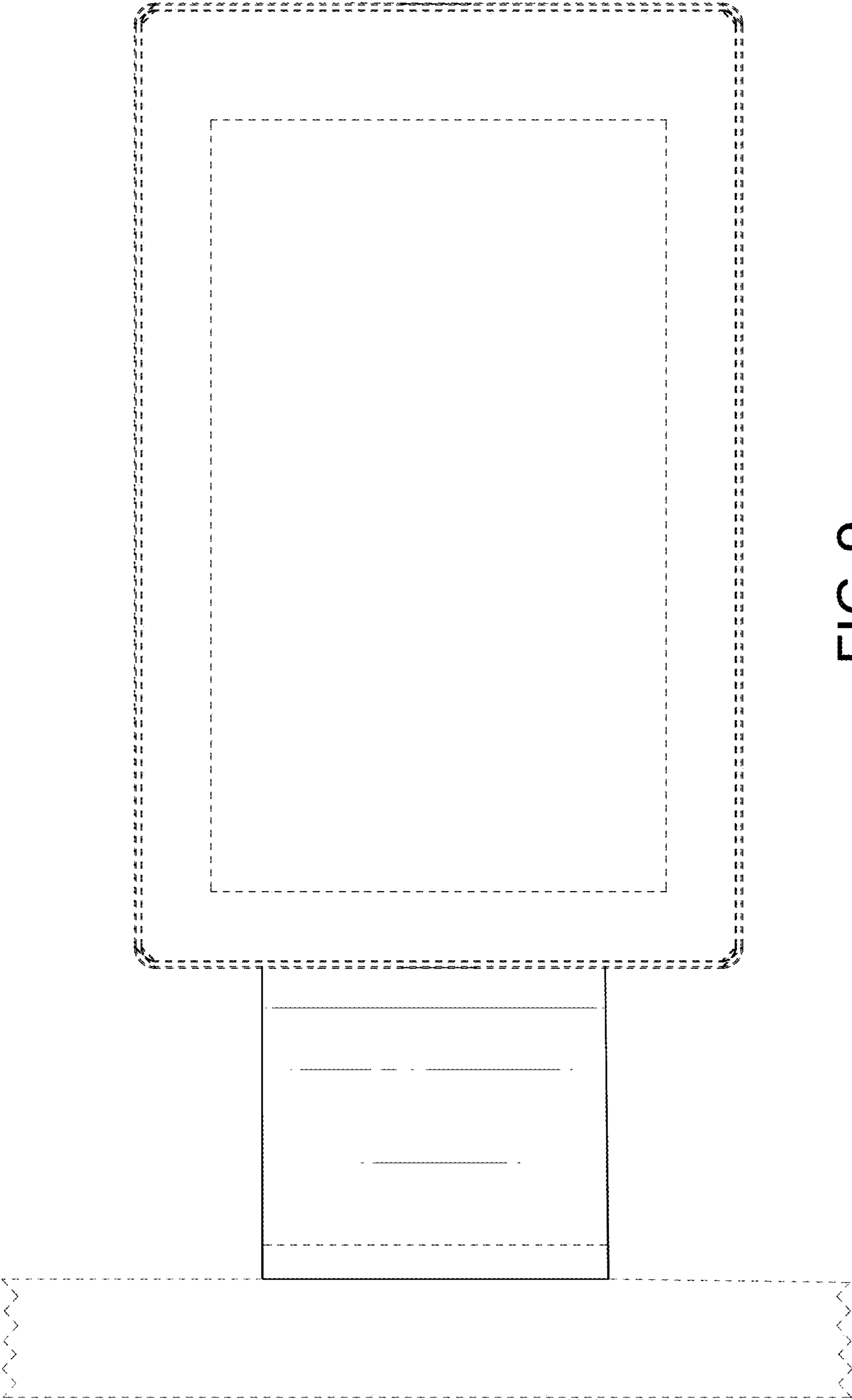


FIG. 9

UNITED STATES PATENT AND TRADEMARK OFFICE  
**CERTIFICATE OF CORRECTION**

PATENT NO. : D907,642 S  
APPLICATION NO. : 29/710423  
DATED : January 12, 2021  
INVENTOR(S) : Balch et al.

Page 1 of 1

It is certified that error appears in the above-identified patent and that said Letters Patent is hereby corrected as shown below:

On the Title Page

At Item (72) ("Inventors:"):

Change --Bloomingdale, NY-- to --Bloomingdale, NJ--;

Change --Tarrytown, NY-- to --Tappan, NY--; and

Change --Old Tappan, NY-- to --Old Tappan, NJ--.

Signed and Sealed this  
Thirtieth Day of March, 2021



Drew Hirshfeld  
*Performing the Functions and Duties of the  
Under Secretary of Commerce for Intellectual Property and  
Director of the United States Patent and Trademark Office*