



US00D907641S

(12) **United States Design Patent** (10) **Patent No.:** **US D907,641 S**  
**Solayappan et al.** (45) **Date of Patent:** **\*\* Jan. 12, 2021**

(54) **VIDEO DEVICE STAND**  
 (71) Applicant: **Apple Inc.**, Cupertino, CA (US)  
 (72) Inventors: **Indhu V. Solayappan**, Sunnyvale, CA (US); **Gabriel J. Lamb**, Burlingame, CA (US); **Seung Chae Kang**, New York, NY (US); **David M. Foster**, Los Gatos, CA (US)

D560,669 S \* 1/2008 Muday ..... D14/451  
 D580,741 S \* 11/2008 Short ..... D8/354  
 D597,582 S \* 8/2009 Anderson ..... D16/235  
 D633,548 S \* 3/2011 Huang ..... D16/235  
 9,140,402 B2 \* 9/2015 Anderson ..... F16M 13/02  
 D784,354 S \* 4/2017 Abreu ..... D14/447  
 D843,307 S \* 3/2019 Jung ..... D12/415  
 D855,050 S \* 7/2019 Bongard ..... D14/253  
 D855,618 S \* 8/2019 Burmester ..... D14/447  
 D877,138 S \* 3/2020 McSweyn ..... D14/253

(73) Assignee: **Apple Inc.**, Cupertino, CA (US)

\* cited by examiner

(\*\*) Term: **15 Years**

*Primary Examiner* — Angela J Lee

(21) Appl. No.: **29/701,978**

(74) *Attorney, Agent, or Firm* — Sterne, Kessler, Goldstein & Fox P.L.L.C.

(22) Filed: **Aug. 15, 2019**

(51) **LOC (13) Cl.** ..... **08-07**

(57) **CLAIM**

(52) **U.S. Cl.**  
USPC ..... **D14/447**

The ornamental design for a video device stand, as shown and described.

(58) **Field of Classification Search**  
 USPC ..... D14/447, 432, 434, 439, 440, 451, 452,  
 D14/457, 239, 253; D8/363, 373, 380;  
 D6/406.3, 406.4, 406.5, 406.6; D12/415  
 CPC ..... A47B 21/04; A47B 2097/006; A47B  
 2097/005; A47B 2023/049; A45C  
 2011/002; A45C 2011/003; F16M  
 2200/00; F16M 13/00

**DESCRIPTION**

See application file for complete search history.

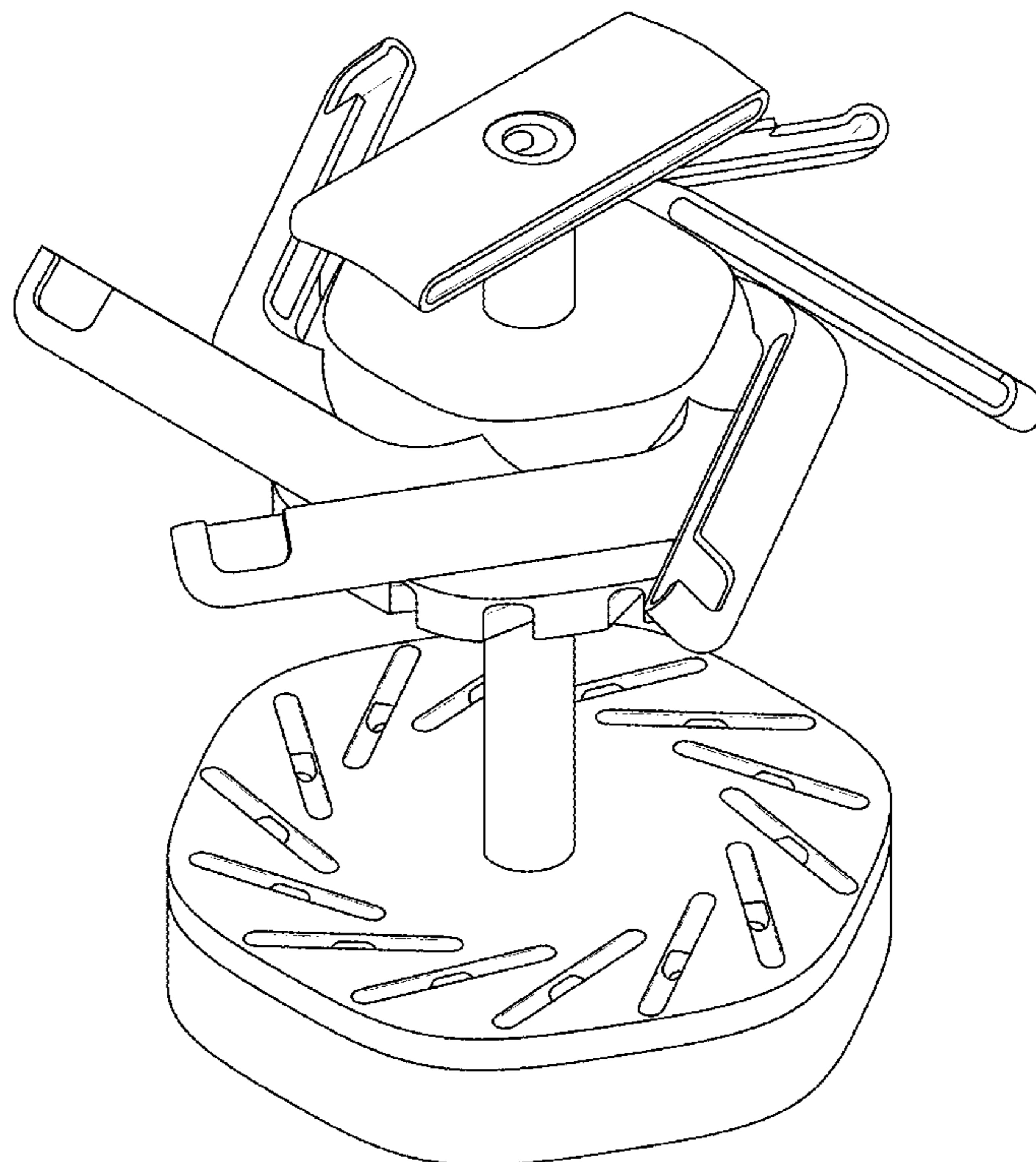
FIG. 1 is a top front perspective view of a video device stand showing the claimed design;  
 FIG. 2 is a front view thereof;  
 FIG. 3 is a rear view thereof;  
 FIG. 4 is a left side view thereof;  
 FIG. 5 is a right side view thereof;  
 FIG. 6 is a top view thereof; and,  
 FIG. 7 is a bottom view thereof.

(56) **References Cited**

**U.S. PATENT DOCUMENTS**

D348,159 S 6/1994 Krippelz, Jr. et al.  
 D514,612 S \* 2/2006 Boele ..... D16/235

**1 Claim, 7 Drawing Sheets**



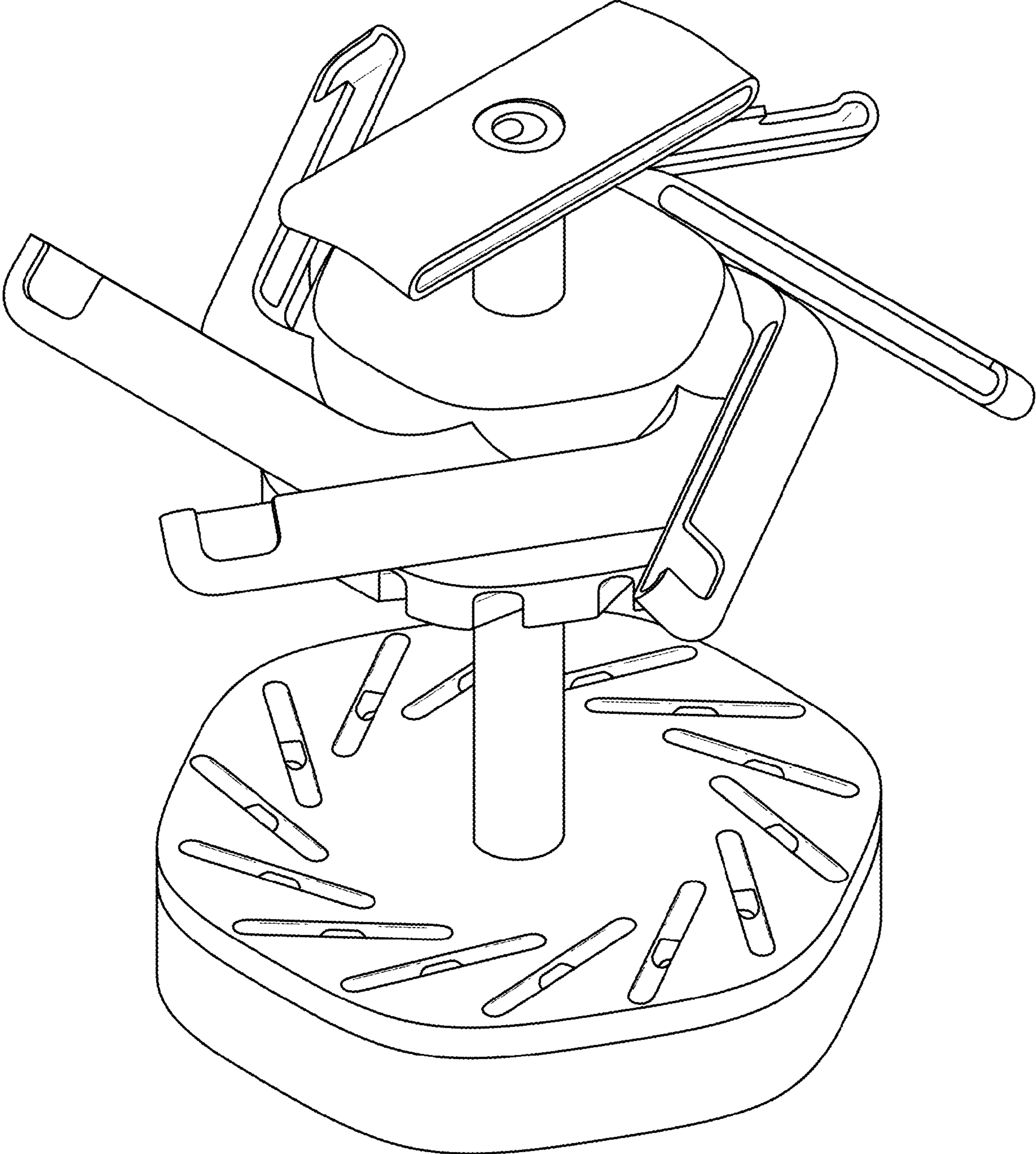
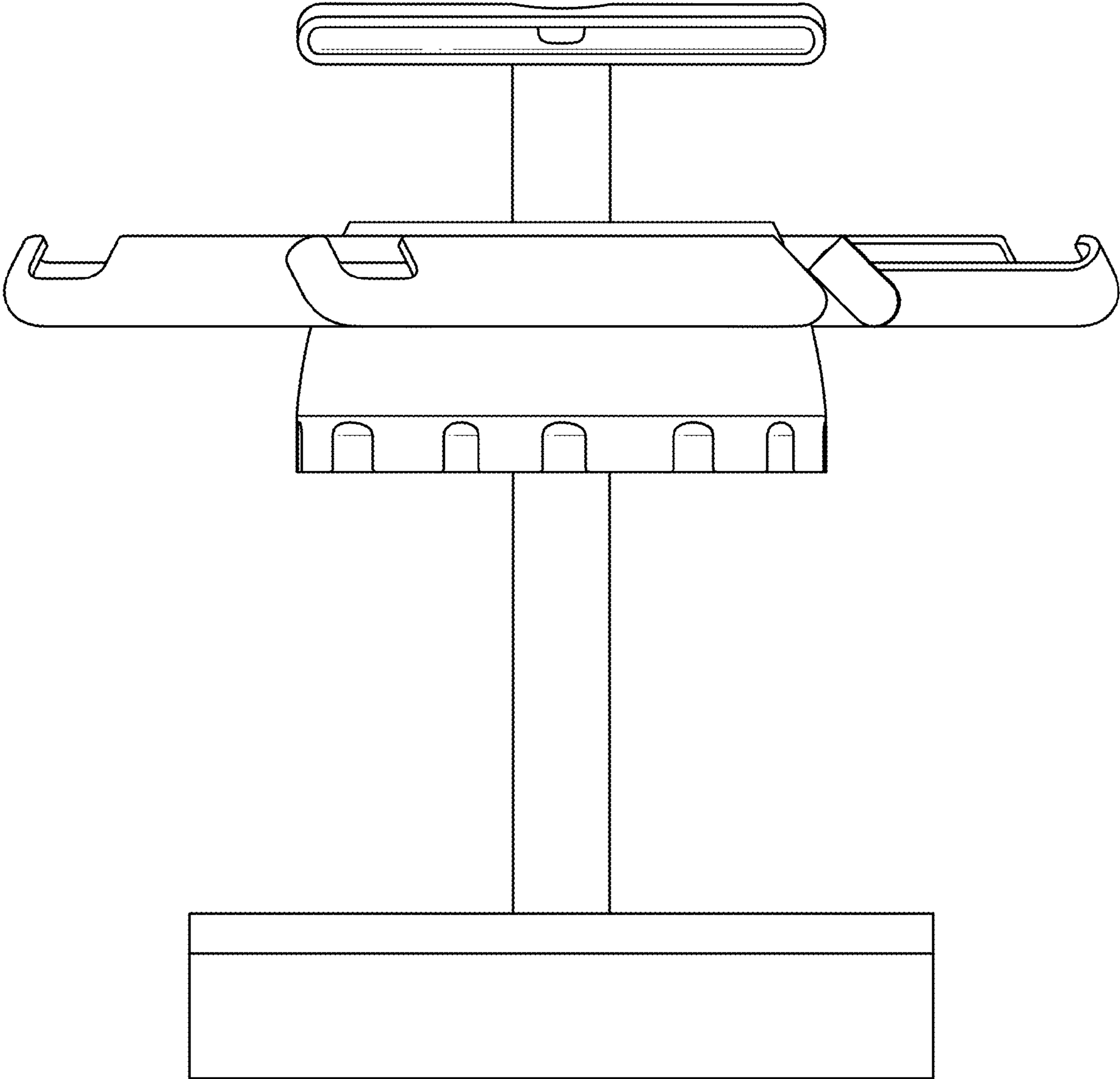
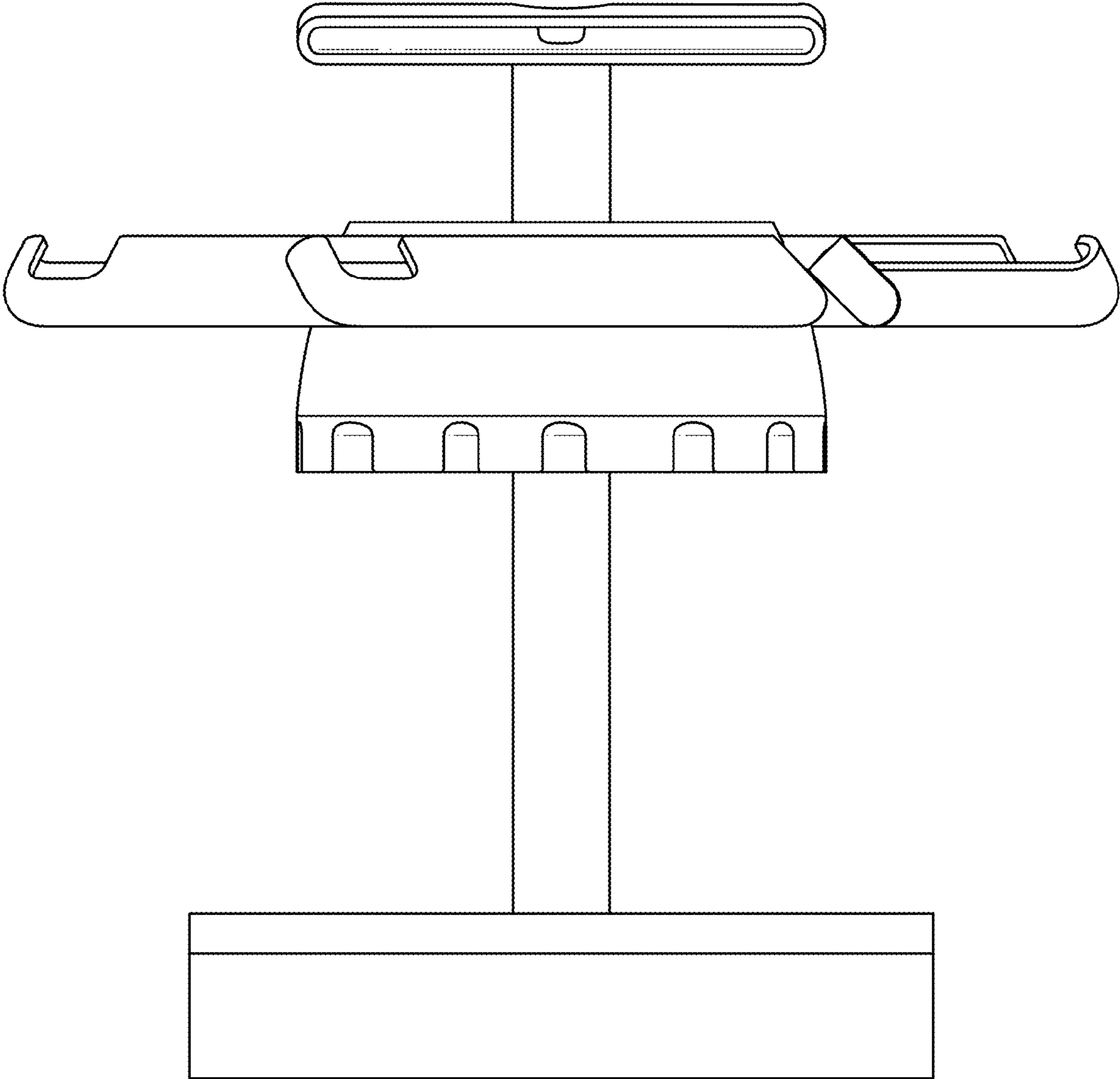


FIG. 1



**FIG. 2**



**FIG. 3**

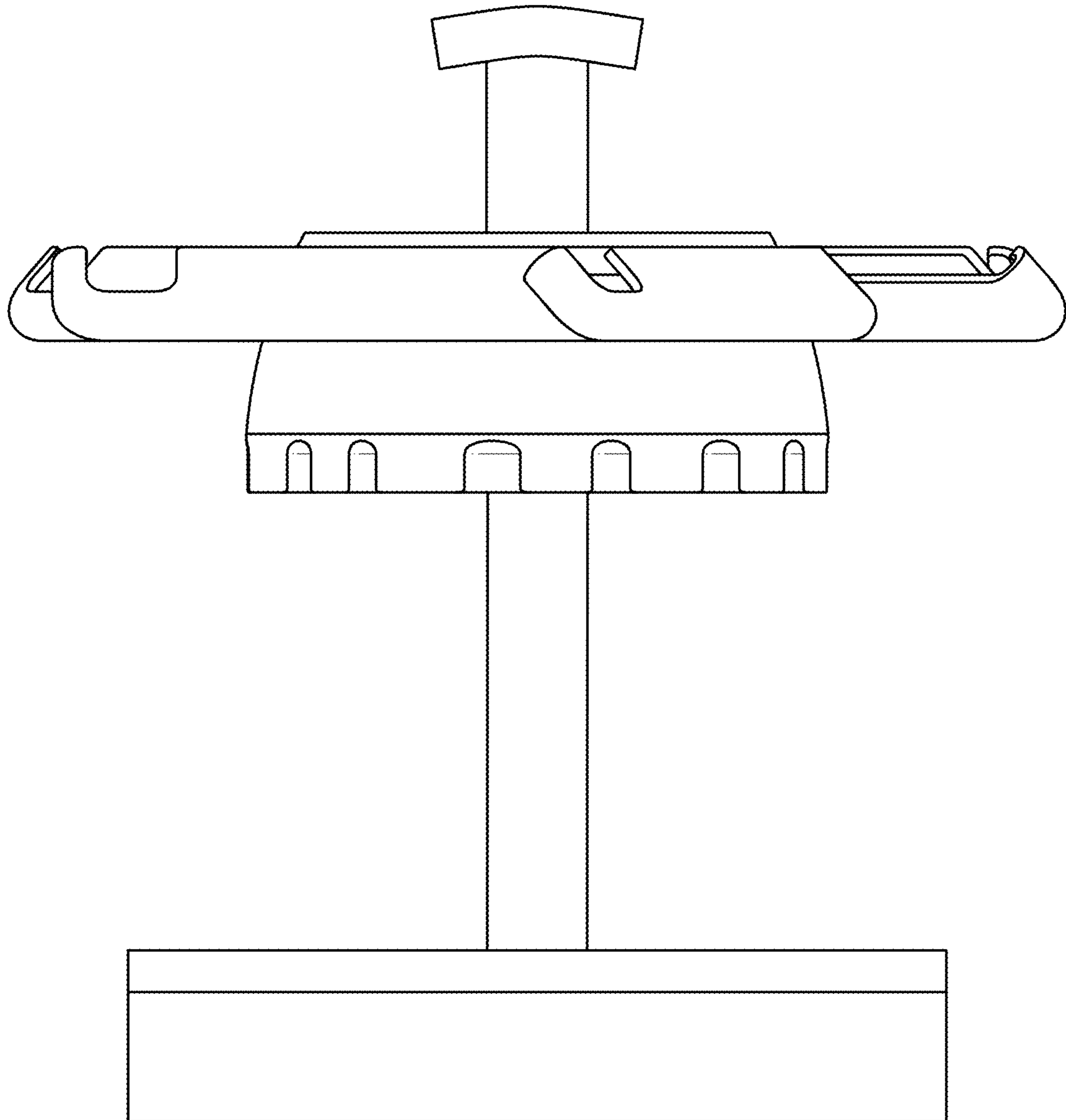


FIG. 4

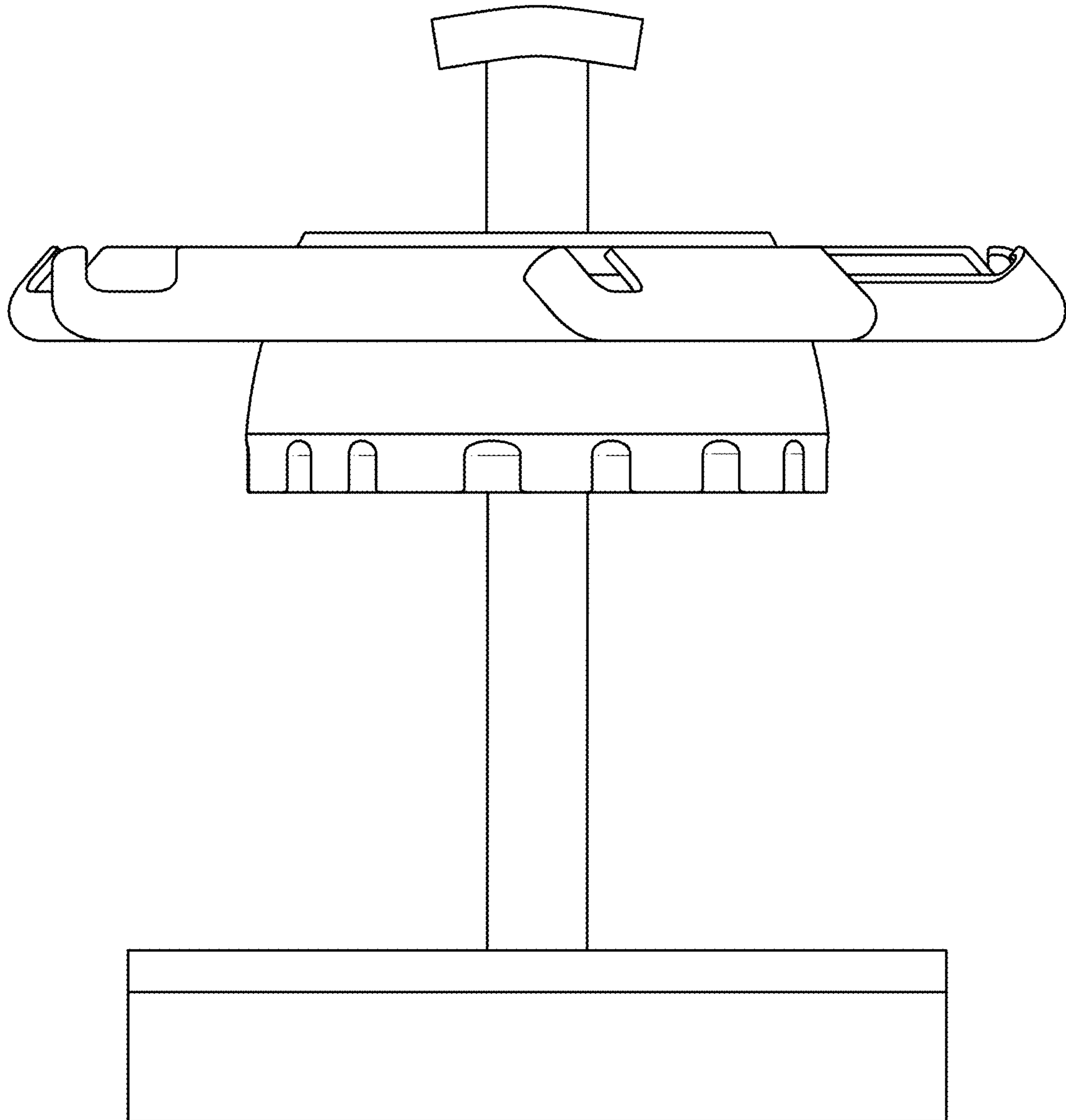
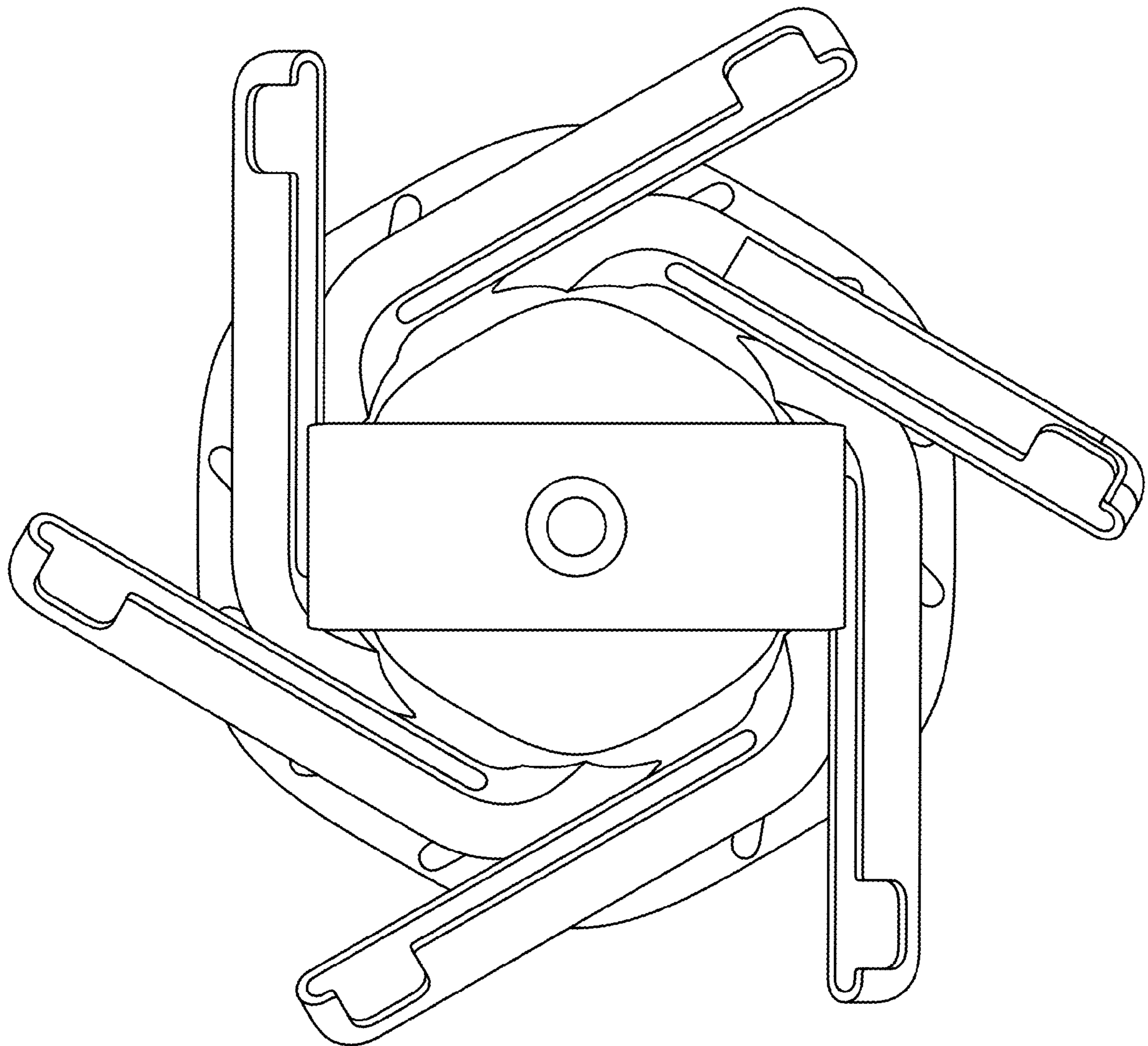


FIG. 5





**FIG. 6**

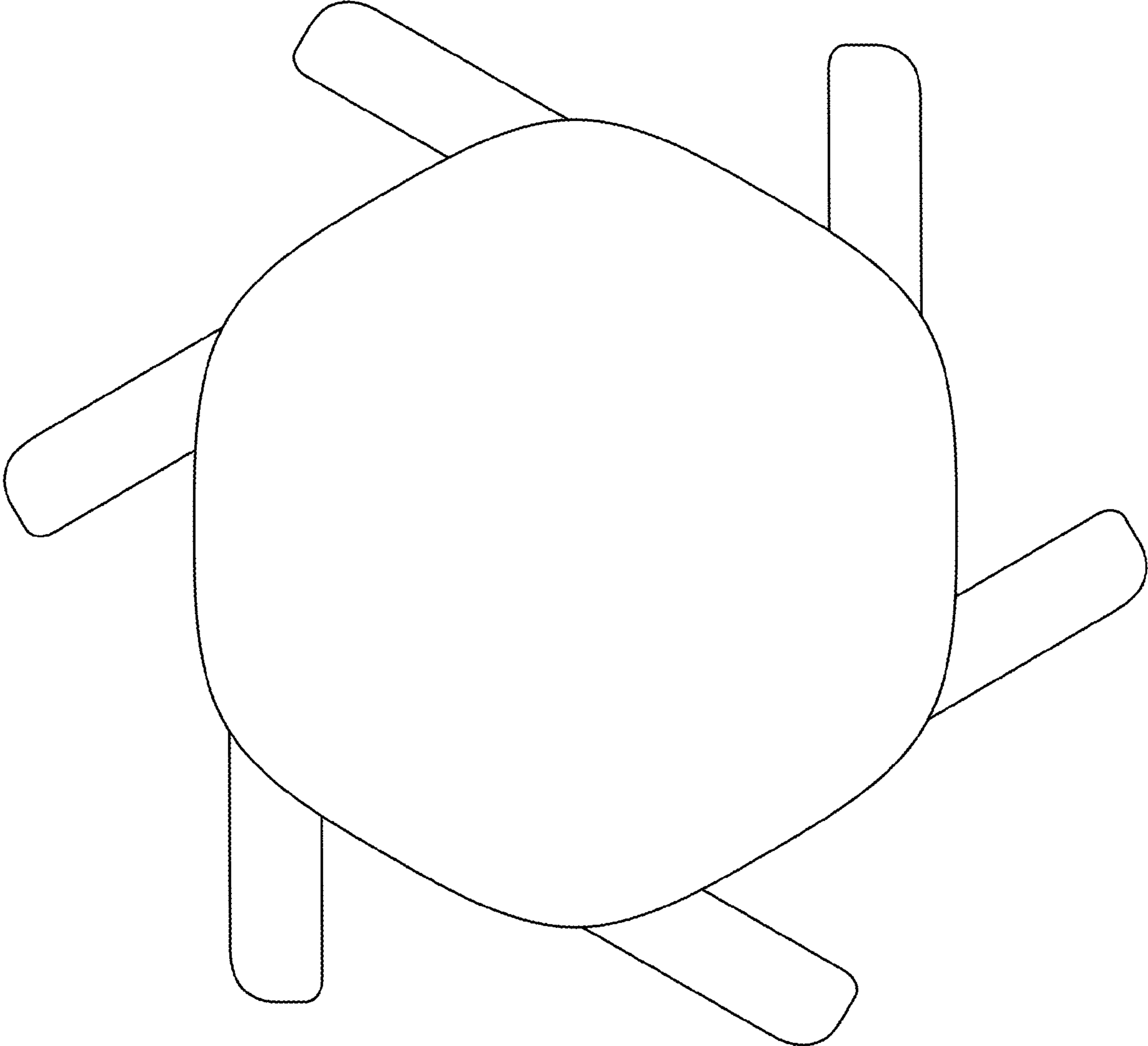


FIG. 7