



US00D907640S

(12) **United States Design Patent**
Huang

(10) **Patent No.:** **US D907,640 S**

(45) **Date of Patent:** **** Jan. 12, 2021**

(54) **LAPTOP STAND**

(71) Applicant: **JiaYan Huang**, Shenzhen (CN)

(72) Inventor: **JiaYan Huang**, Shenzhen (CN)

(73) Assignee: **Shenzhen Yinzhirui Electronic Technology Co., Ltd.**, Shenzhen (CN)

(**) Term: **15 Years**

(21) Appl. No.: **29/699,028**

(22) Filed: **Jul. 23, 2019**

(51) **LOC (13) Cl.** **08-02**

(52) **U.S. Cl.**
USPC **D14/447**

(58) **Field of Classification Search**

USPC D14/447, 432, 434, 439, 440, 451, 452,
D14/457, 239, 253; D8/363, 373, 380;
D6/406.3, 406.4, 406.5, 406.6; D12/415
CPC A47B 21/04; A47B 2097/006; A47B
2097/005; A47B 2023/049; A45C
2011/002; A45C 2011/003; F16M
2200/00; F16M 13/00

See application file for complete search history.

(56) **References Cited**

U.S. PATENT DOCUMENTS

D676,853 S * 2/2013 Gengler D14/447
D694,245 S * 11/2013 Sanz D14/440

D707,229 S * 6/2014 Almodova D14/440
D716,817 S * 11/2014 Yang D14/447
D748,635 S * 2/2016 Hsu D14/440
D748,637 S * 2/2016 Hsu D14/440
D771,053 S * 11/2016 Spollen D14/440
D804,490 S * 12/2017 Wei D14/447
D805,080 S * 12/2017 Lakraa D14/440
D829,215 S * 9/2018 Magargee D14/447
D863,318 S * 10/2019 Zhang D14/447
D886,829 S * 6/2020 Cheng D14/447

* cited by examiner

Primary Examiner — Angela J Lee

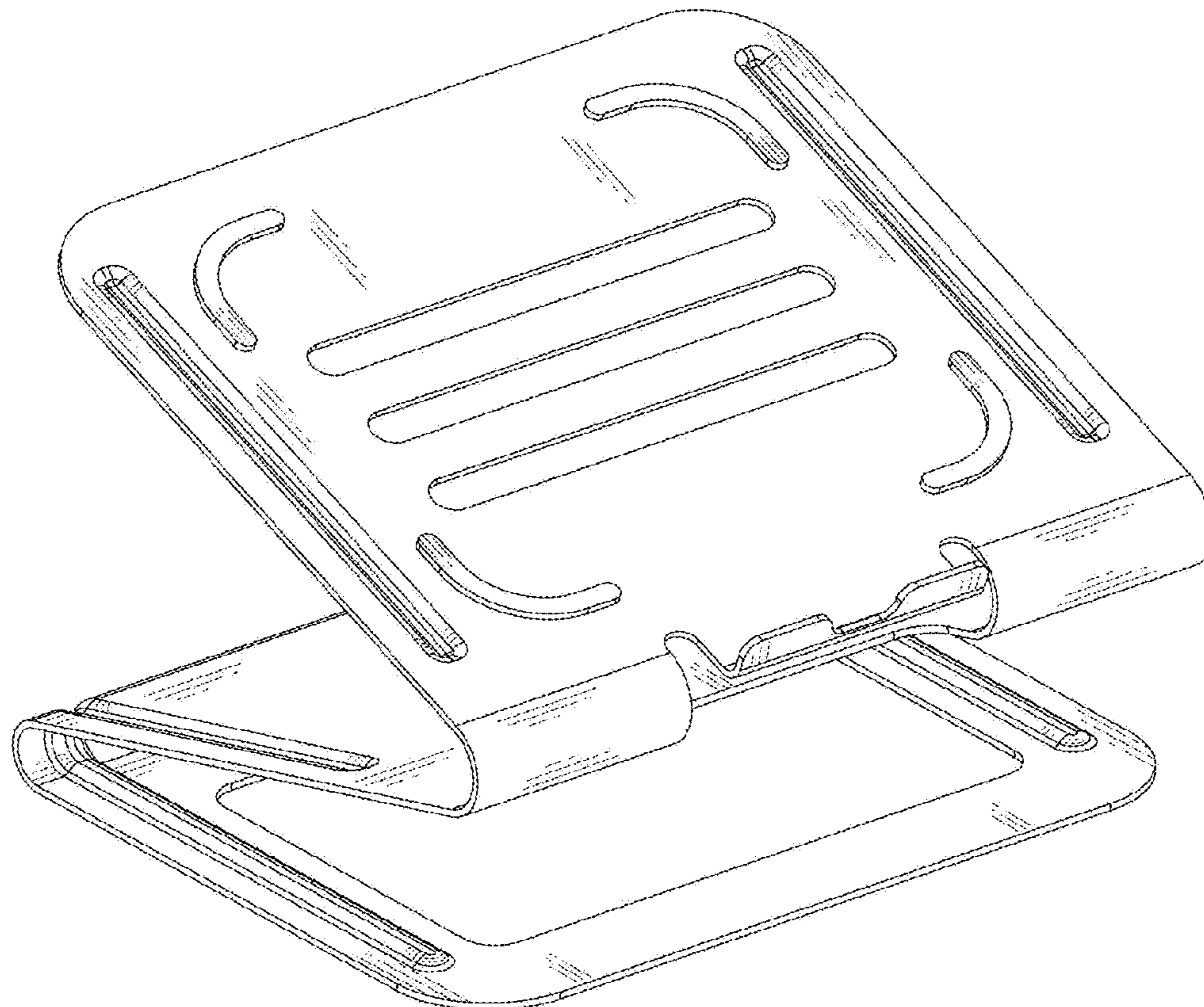
(57) **CLAIM**

The ornamental design for a laptop stand, as shown and described.

DESCRIPTION

FIG. 1 is a top perspective view of a laptop stand showing my new design;
FIG. 2 is a bottom perspective view of a laptop stand thereof;
FIG. 3 is a front elevation view thereof;
FIG. 4 is a rear elevation view thereof;
FIG. 5 is a left side elevation view thereof;
FIG. 6 is a right side elevation view thereof;
FIG. 7 is a top plan view thereof; and,
FIG. 8 is a bottom plan view thereof.

1 Claim, 8 Drawing Sheets



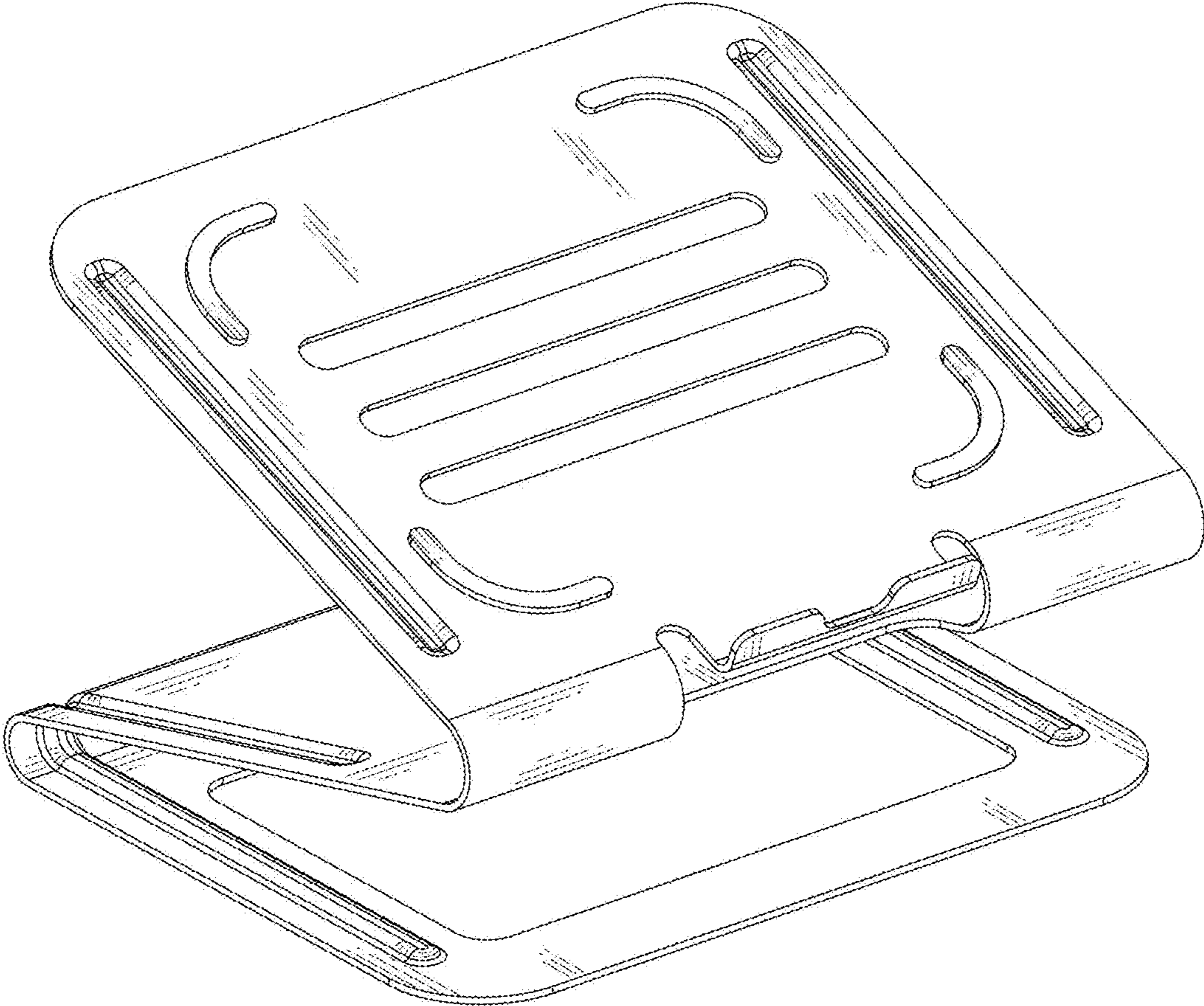


FIG.1

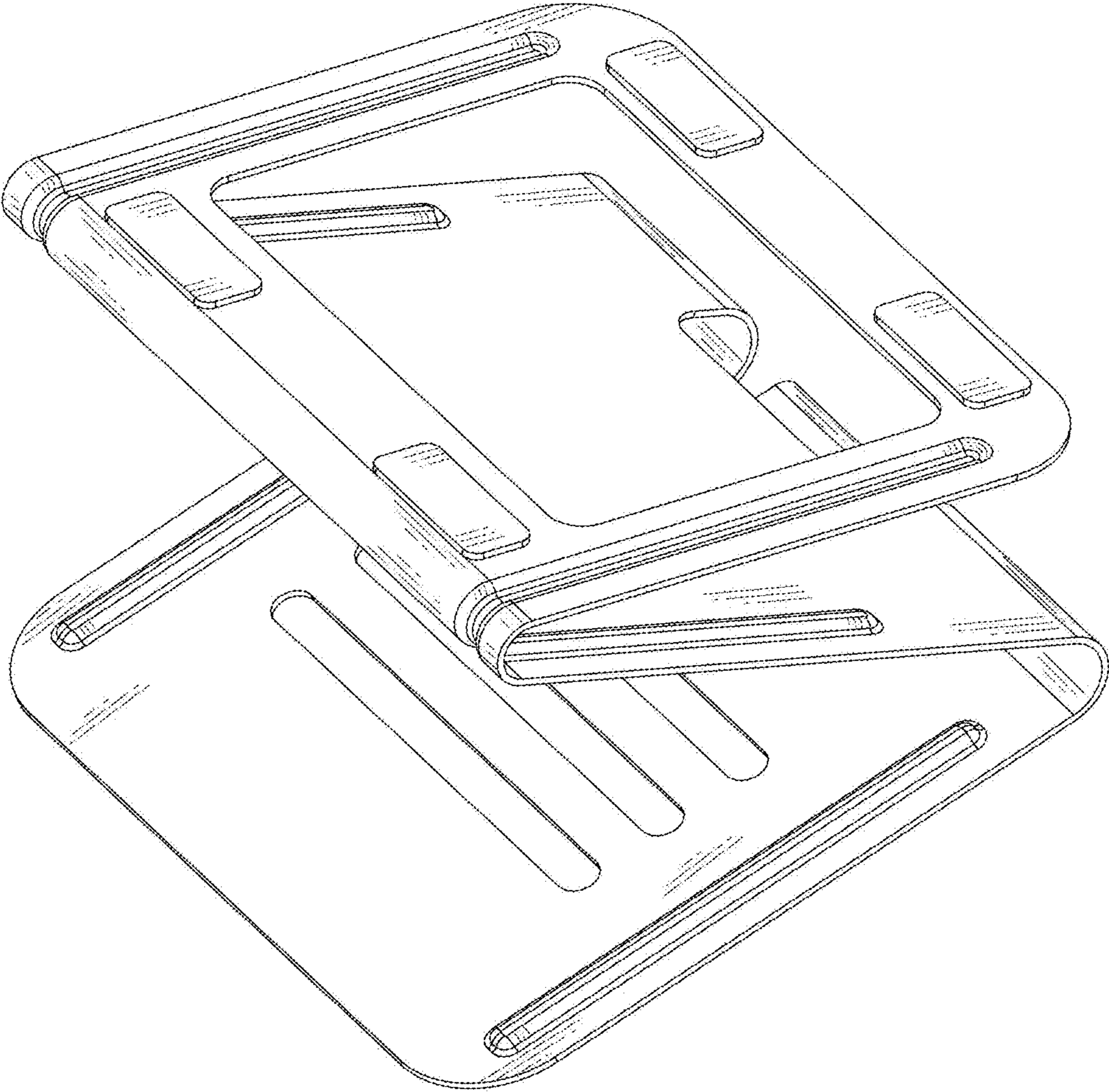


FIG.2

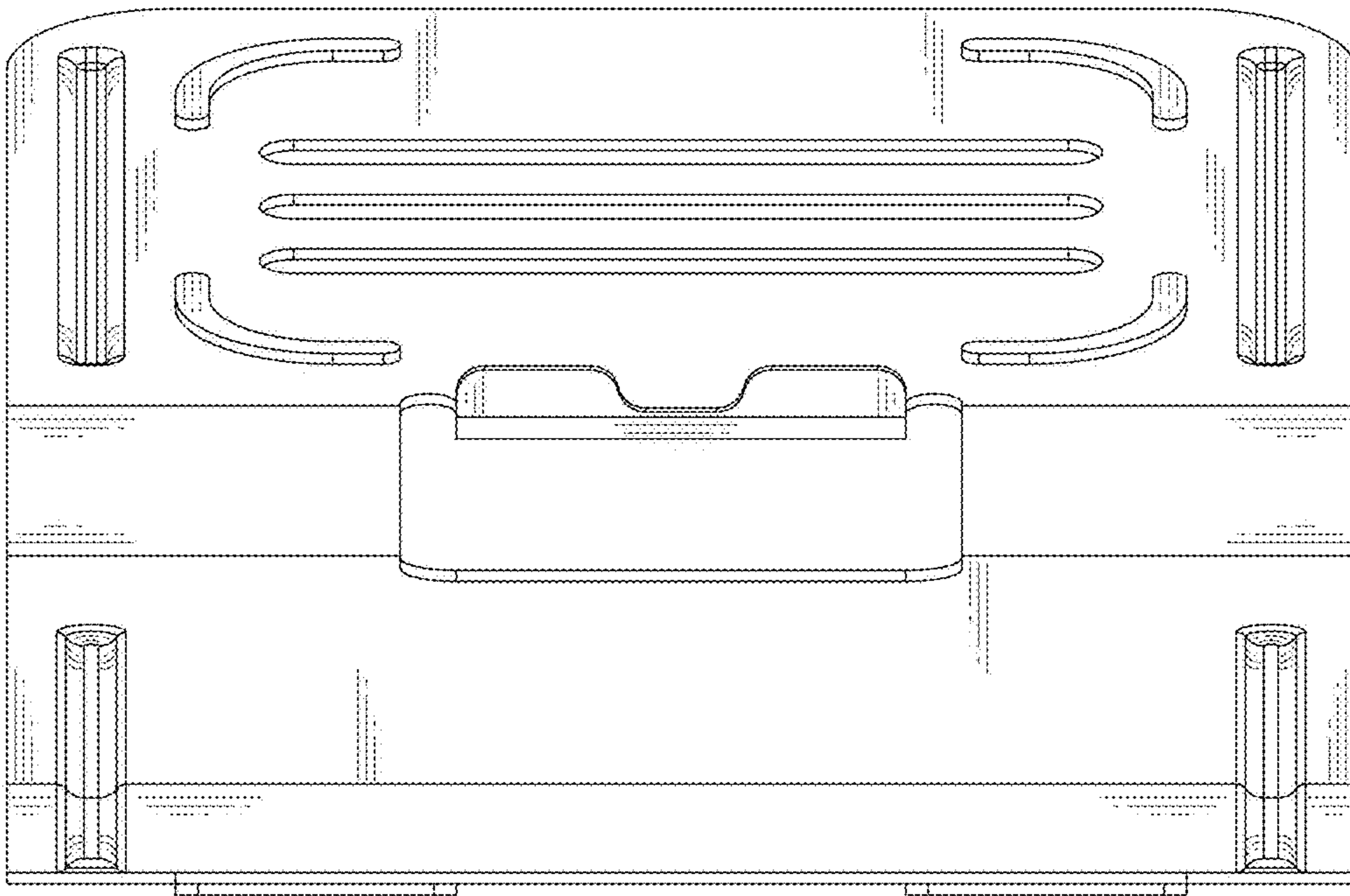


FIG.3

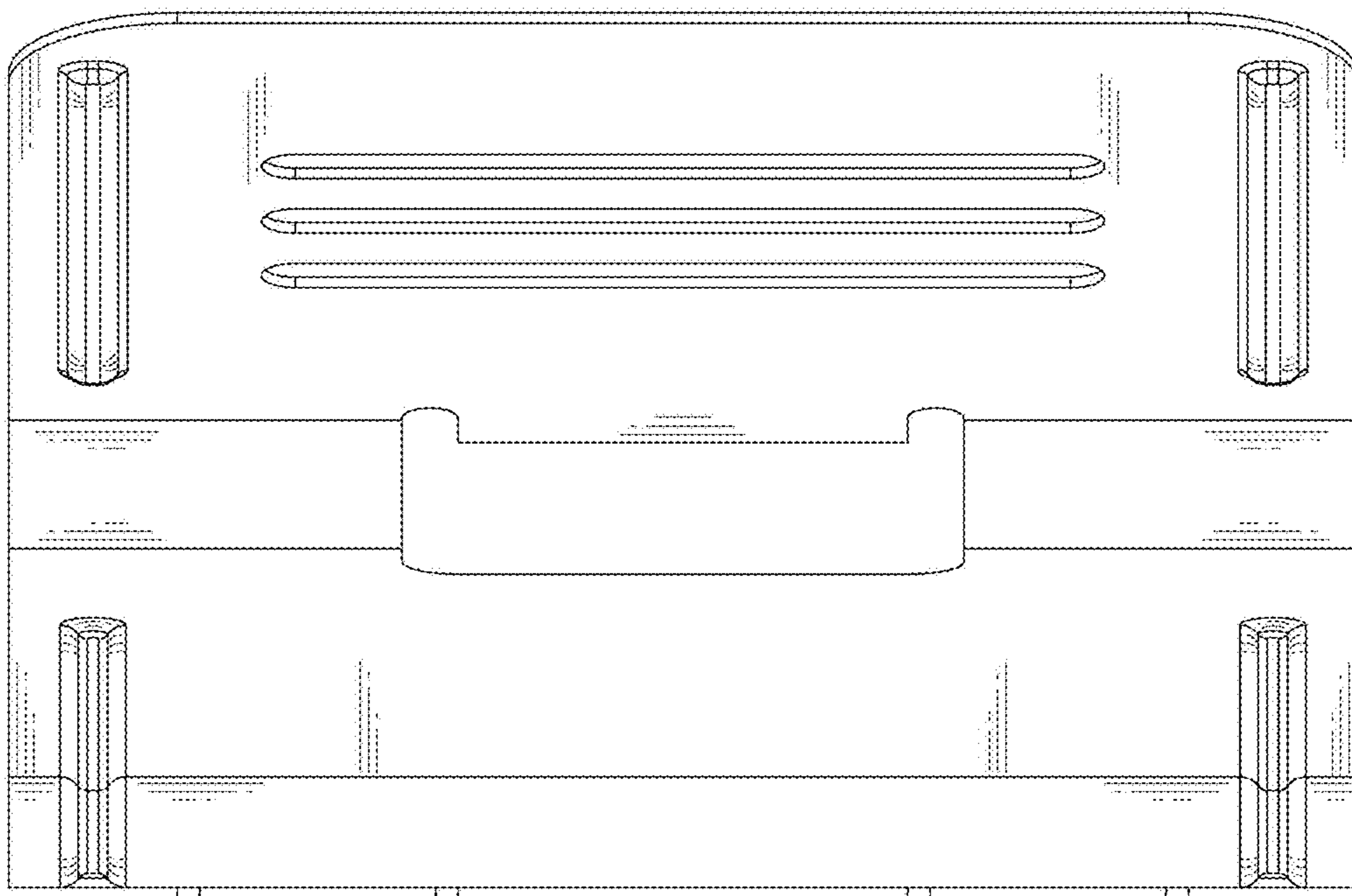


FIG.4

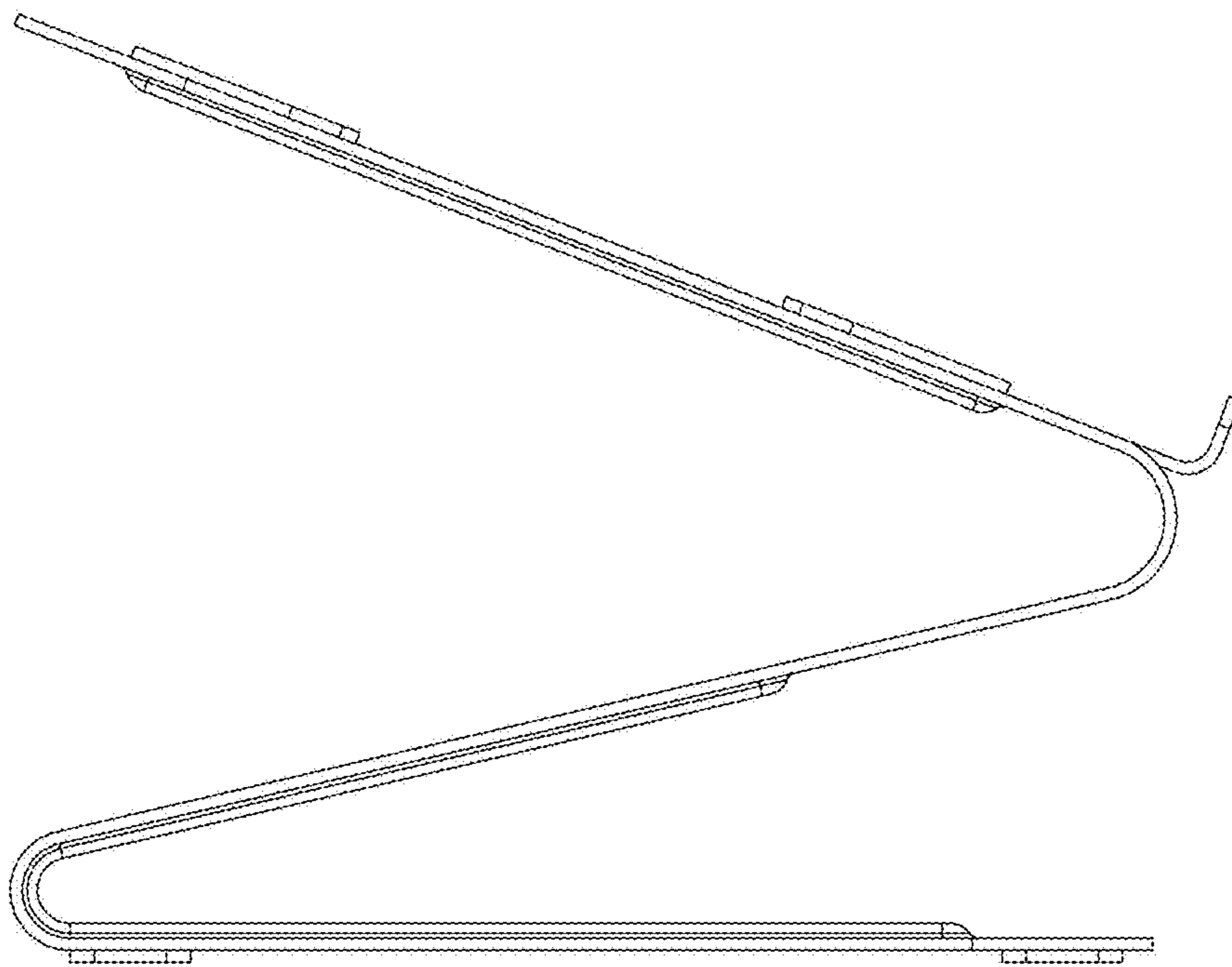


FIG. 5

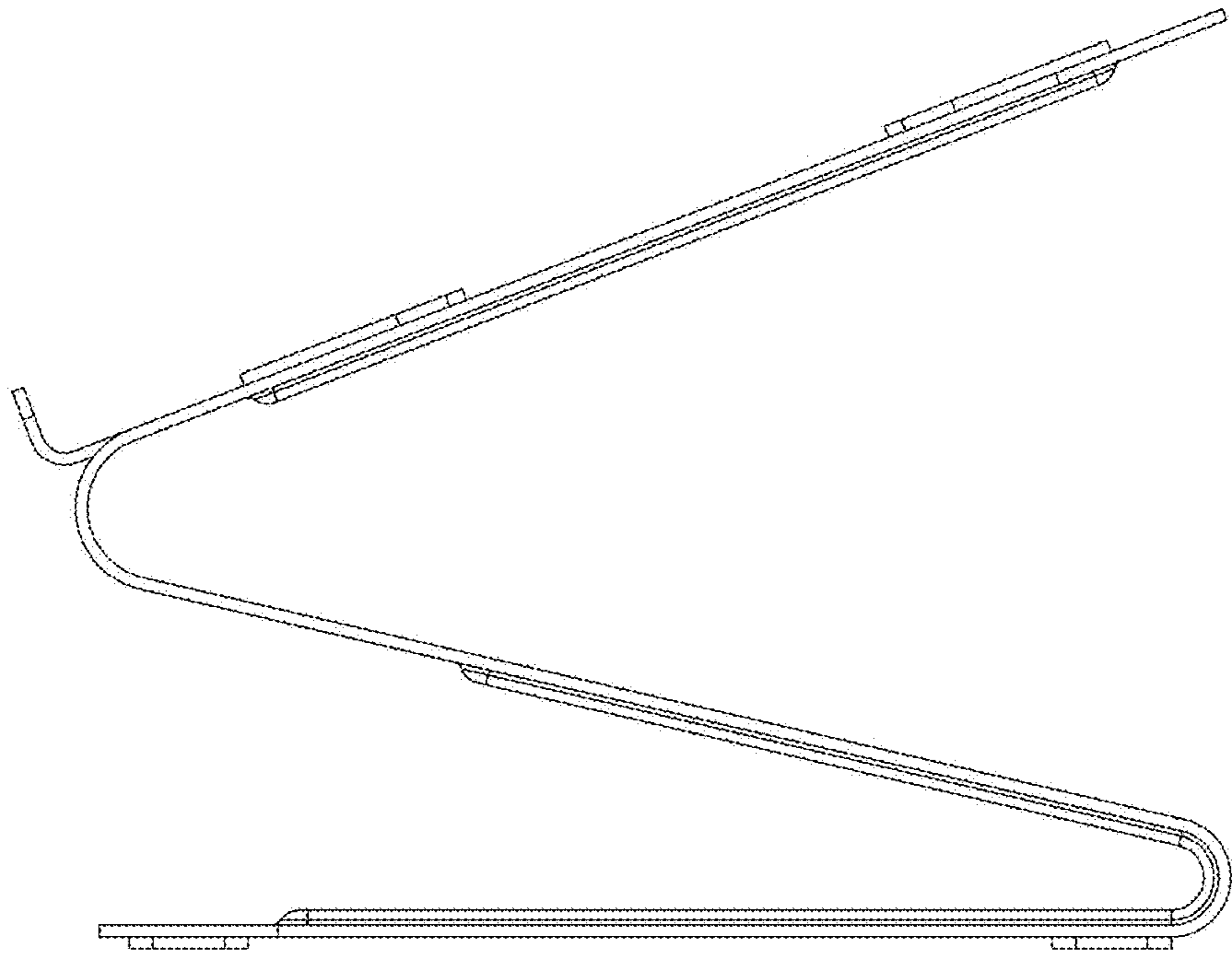


FIG. 6

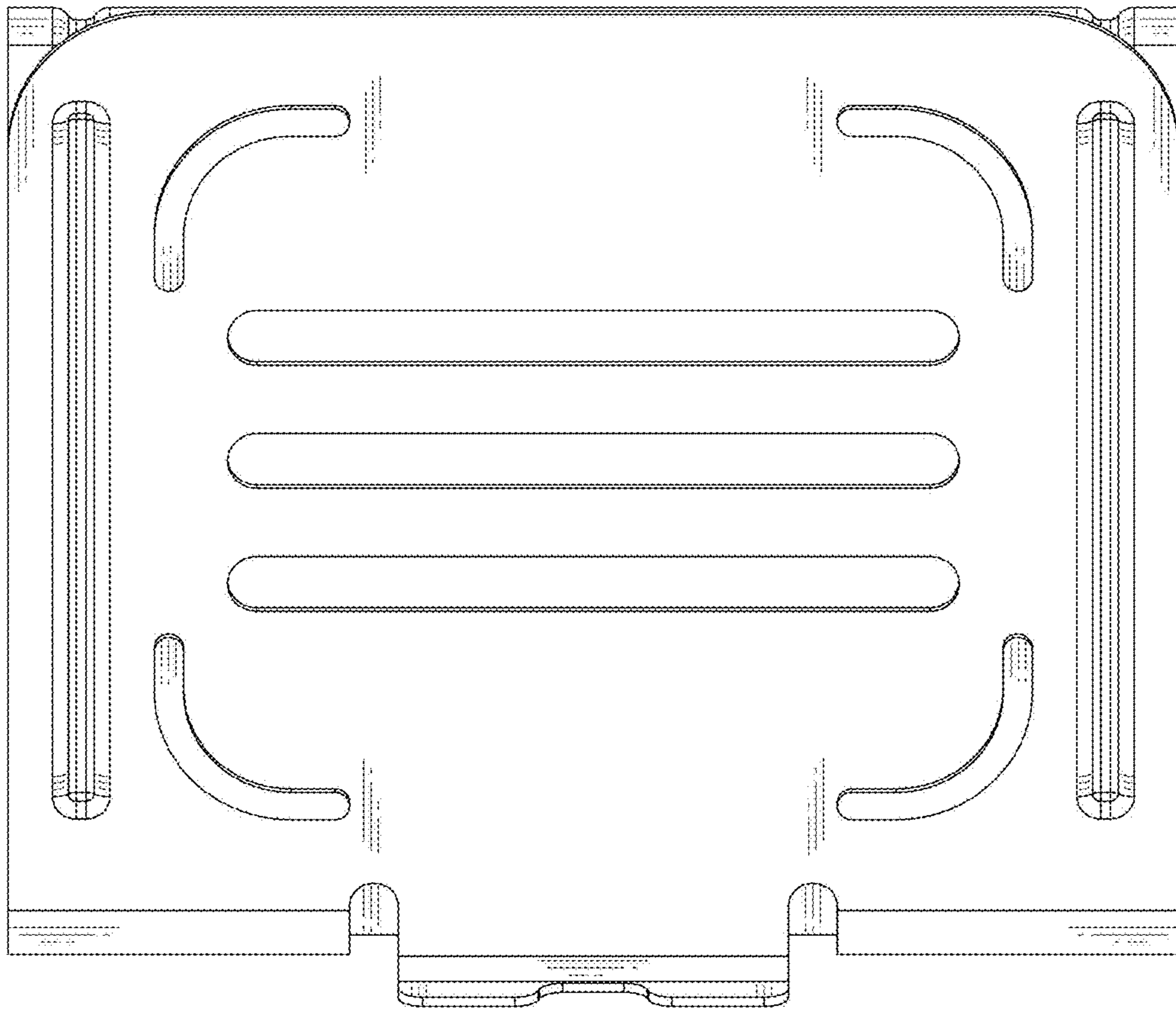


FIG. 7

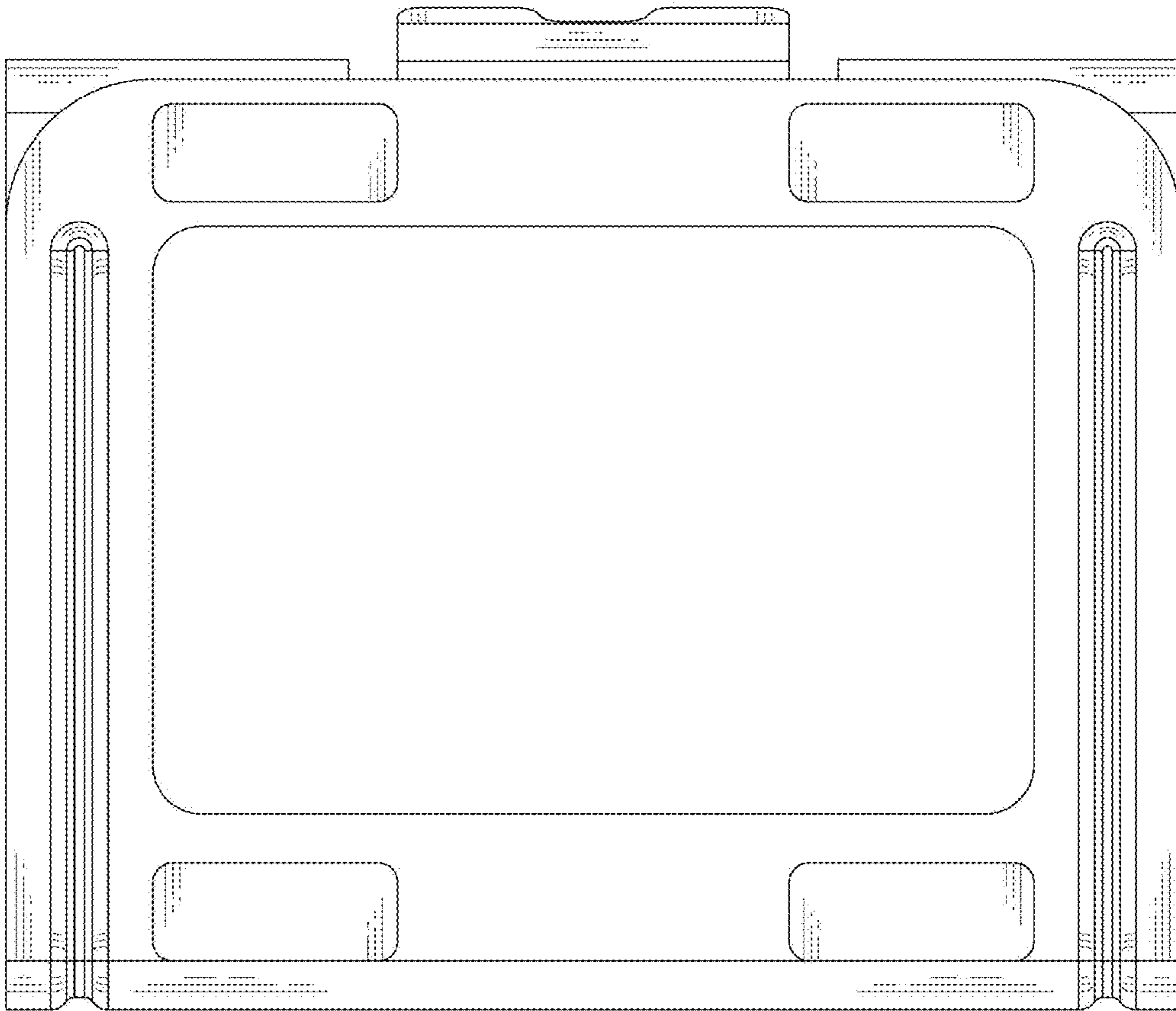


FIG. 8