



US00D907639S

(12) **United States Design Patent**  
**Wu**

(10) **Patent No.:** **US D907,639 S**

(45) **Date of Patent:** **\*\* Jan. 12, 2021**

(54) **MAGNETIC MOUNT**

(71) Applicant: **Guoping Wu**, Guangdong (CN)

(72) Inventor: **Guoping Wu**, Guangdong (CN)

(73) Assignee: **Shenzhen Youtuo Technology Co., Ltd.**, Guangdong (CN)

(\*\*) Term: **15 Years**

(21) Appl. No.: **29/630,955**

(22) Filed: **Dec. 26, 2017**

(51) **LOC (13) Cl.** ..... **14-02**

(52) **U.S. Cl.**  
USPC ..... **D14/447**

(58) **Field of Classification Search**  
USPC ..... D26/28, 30, 31, 118, 2, 73, 74, 75;  
D25/119, 164; D8/16, 19, 350-353, 364,  
D8/366, 499, 380, 381; D12/415, 253,  
D12/251; D14/447, 432, 434, 439, 440,  
D14/451, 452  
CPC ..... F21S 48/20; F21S 48/215; F21S 48/2218  
See application file for complete search history.

(56) **References Cited**

**U.S. PATENT DOCUMENTS**

D447,826 S *	9/2001	Kang	.....	D26/28
6,657,393 B2 *	12/2003	Natsume	.....	B60Q 1/26 315/185 S
D498,549 S *	11/2004	Campagna	.....	D26/28
6,811,287 B2 *	11/2004	Roller	.....	B60Q 1/30 362/336
D530,437 S *	10/2006	Neufeglise	.....	D26/28
D578,682 S *	10/2008	Huang	.....	D26/28
D694,944 S *	12/2013	Rhodes	.....	D26/80
D709,221 S *	7/2014	Tsai	.....	D26/28

D712,086 S *	8/2014	Barbato	.....	D26/122
D715,469 S *	10/2014	Chou	.....	D26/28
9,010,975 B2 *	4/2015	Norris	.....	B60Q 1/2607 362/545
D740,471 S *	10/2015	Yu	.....	D26/28
D747,018 S *	1/2016	Hansen	.....	D26/28
D749,596 S *	2/2016	Khodapanah	.....	D14/447
D749,597 S *	2/2016	Wengreen	.....	D14/447
D759,272 S *	6/2016	Fan	.....	D26/28
D774,673 S *	12/2016	Lai	.....	D26/28
D788,335 S *	5/2017	Tsai	.....	D26/28
D792,415 S *	7/2017	Tsai	.....	D14/447
D792,416 S *	7/2017	Tsai	.....	D14/447
D797,327 S *	9/2017	Deyaf	.....	D26/28
D825,548 S *	8/2018	Lebovitz	.....	D14/253
D833,254 S *	11/2018	Karnani	.....	D8/330
10,139,073 B2 *	11/2018	Wentz, Jr.	.....	B60Q 1/18
D842,075 S *	3/2019	Knight	.....	D8/353

\* cited by examiner

*Primary Examiner* — Mark A Goodwin  
*Assistant Examiner* — Benjamin M Weeks

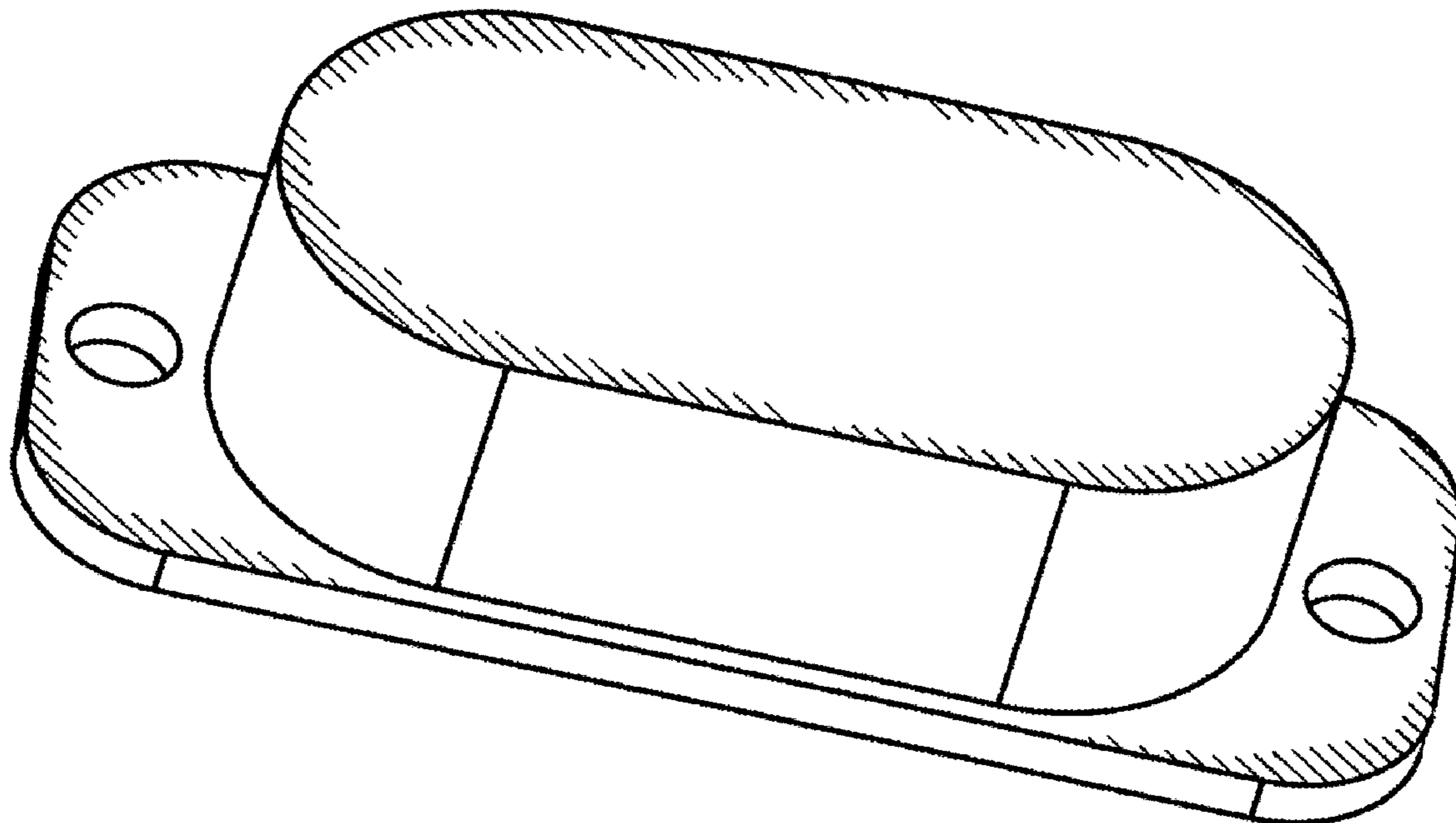
(57) **CLAIM**

The ornamental design for a magnetic mount, as shown and described.

**DESCRIPTION**

FIG. 1 is a perspective view of a magnetic mount showing my new design;  
FIG. 2 is a front elevational view thereof;  
FIG. 3 is a rear elevational view thereof;  
FIG. 4 is a left side elevational view thereof;  
FIG. 5 is a right side elevational view thereof;  
FIG. 6 is a top plan view thereof; and,  
FIG. 7 is a bottom plan view thereof.  
The broken lines depict portions of the magnetic mount that form no part of the claimed design.

**1 Claim, 7 Drawing Sheets**



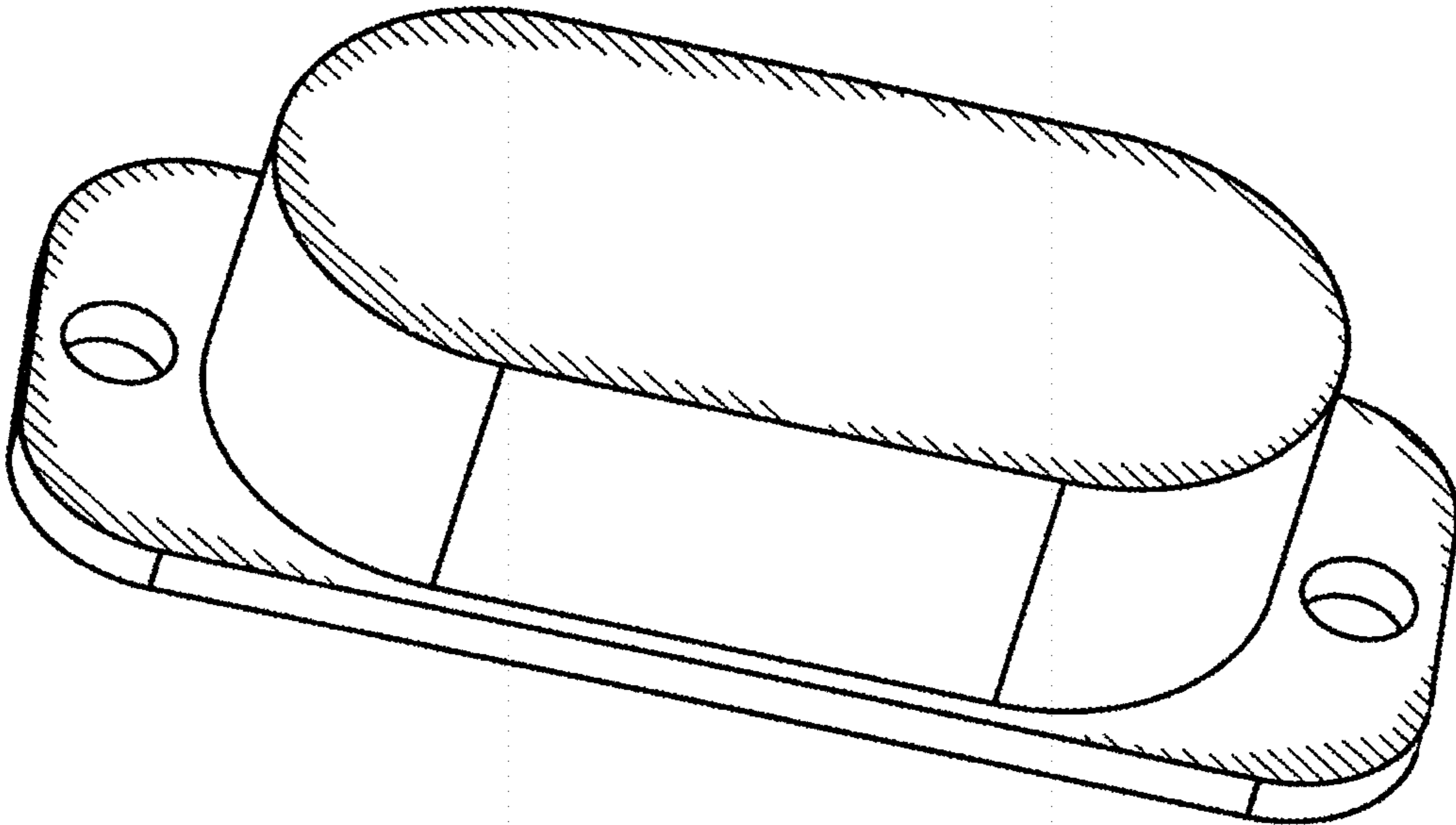


FIG.1

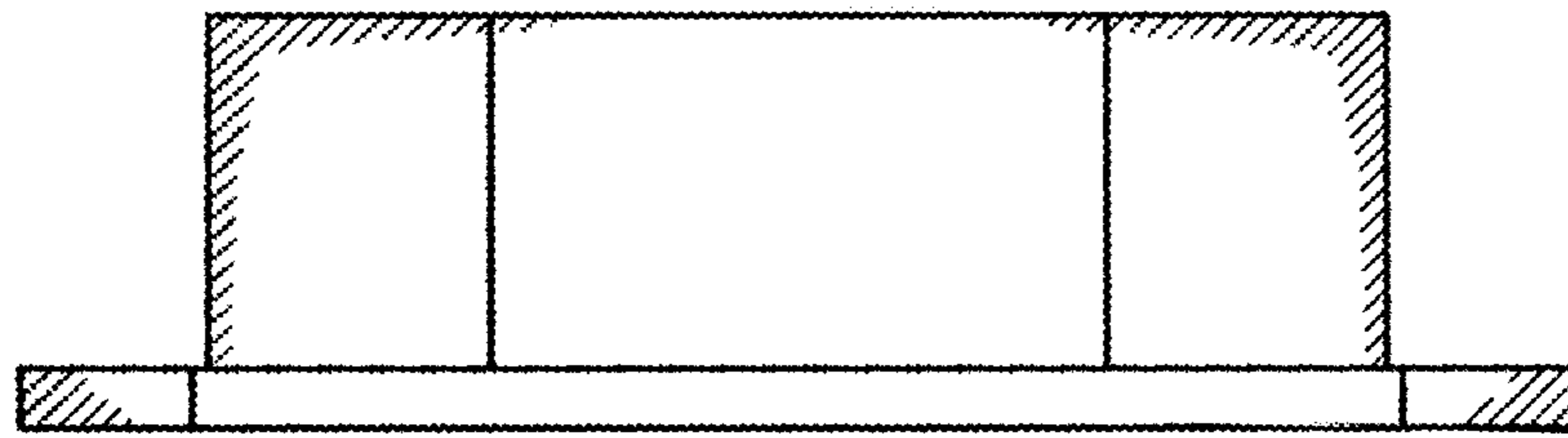


FIG.2

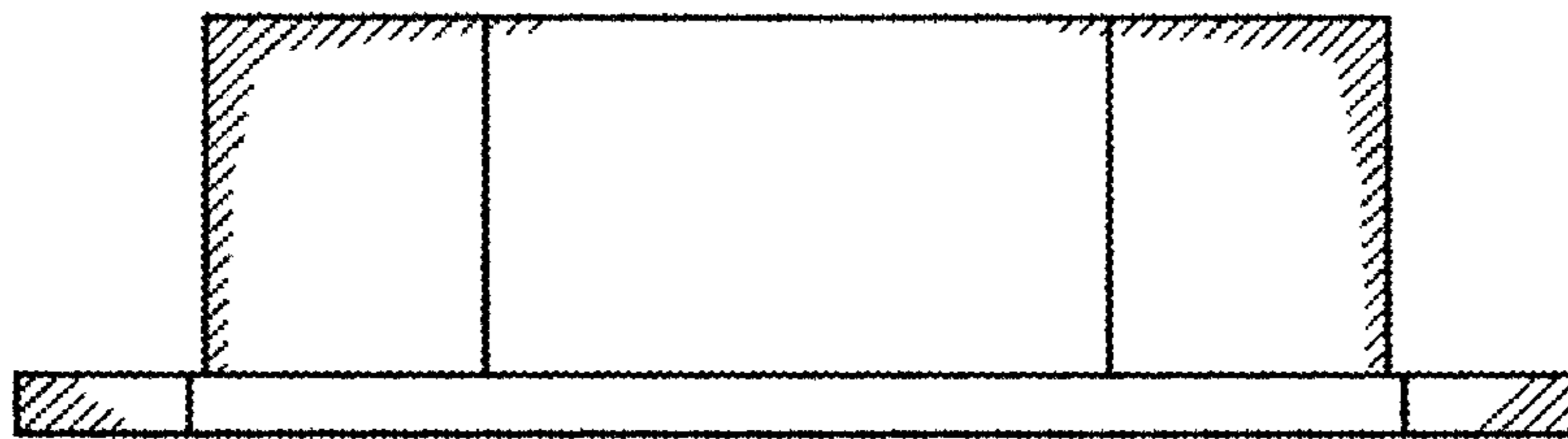


FIG.3

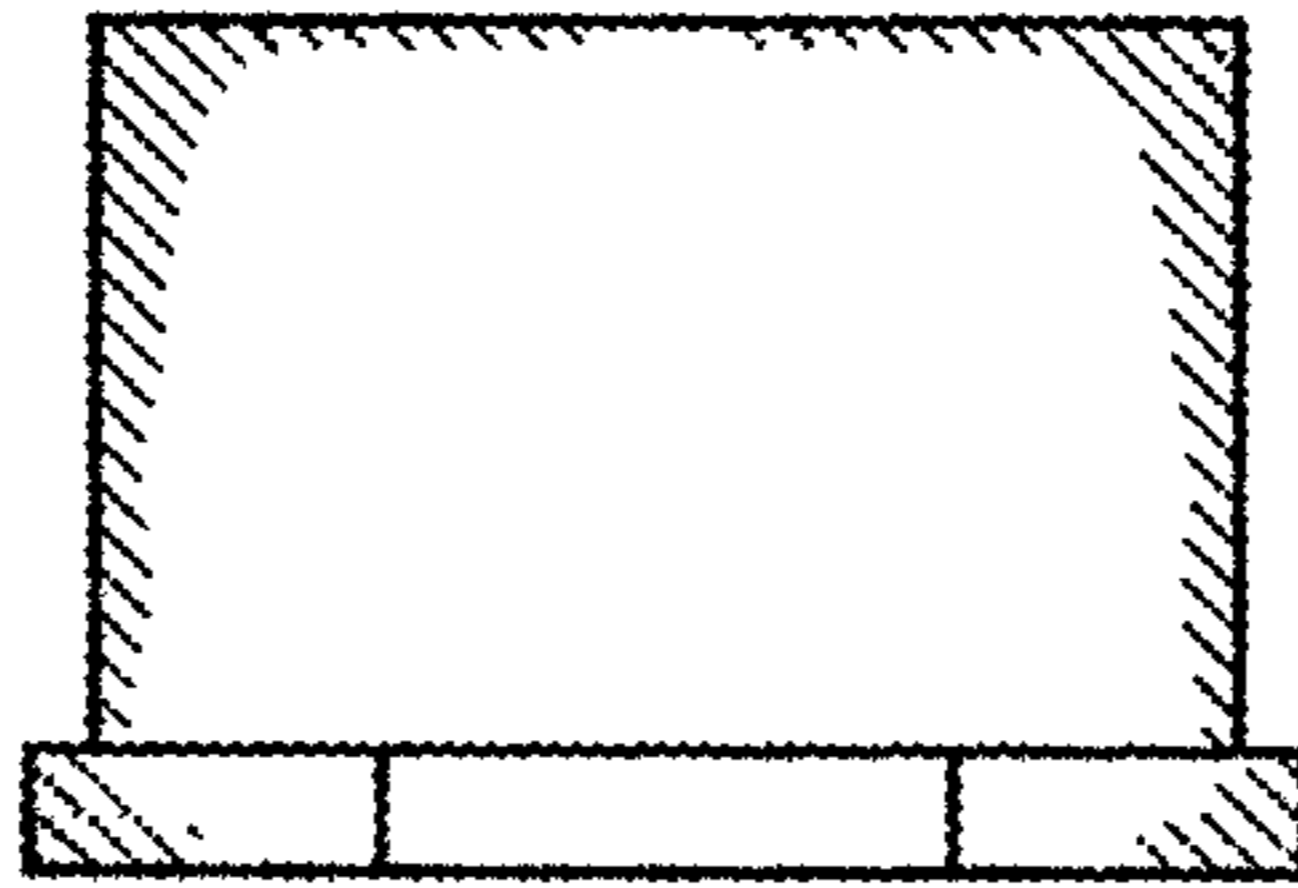


FIG.4

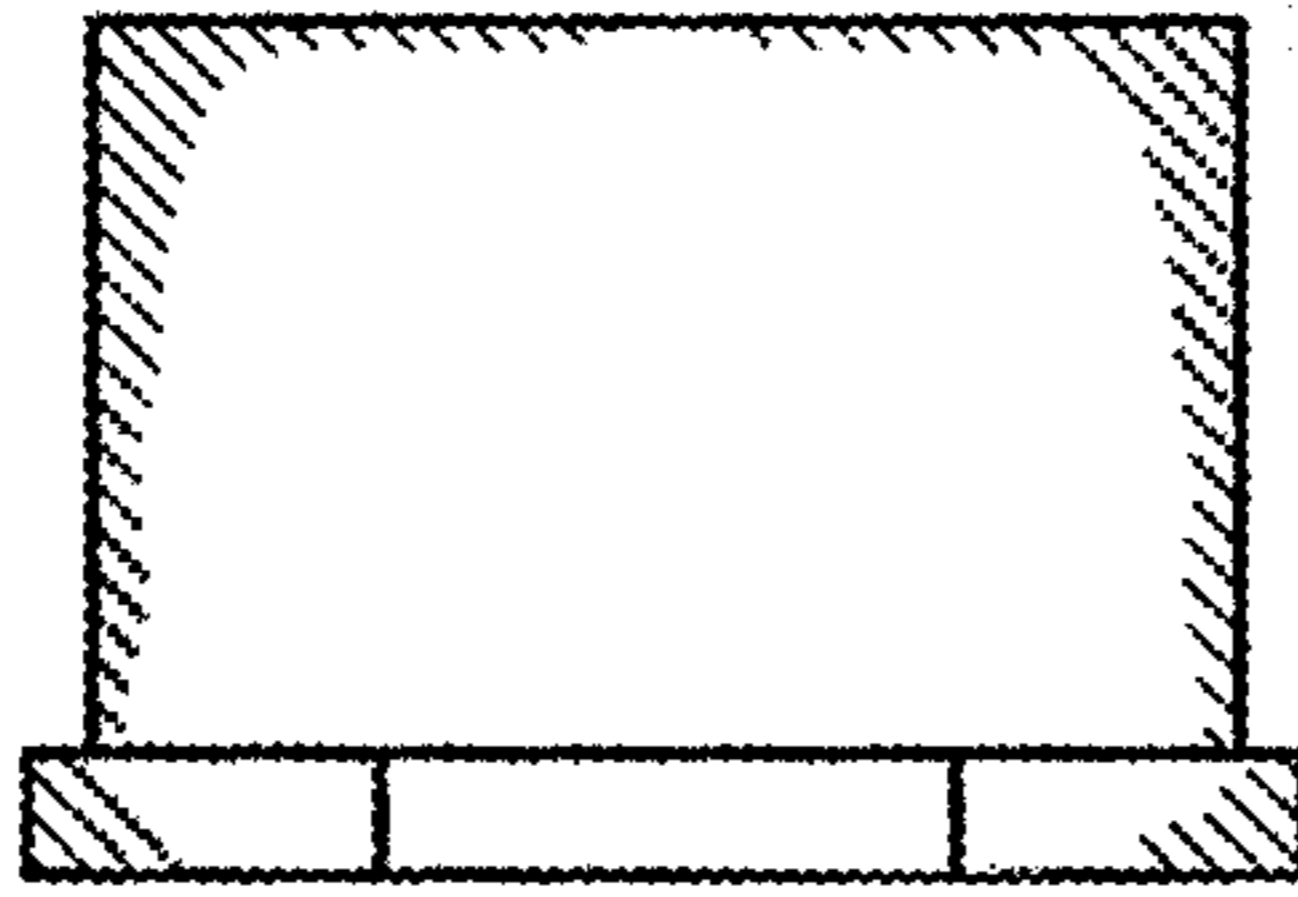


FIG.5

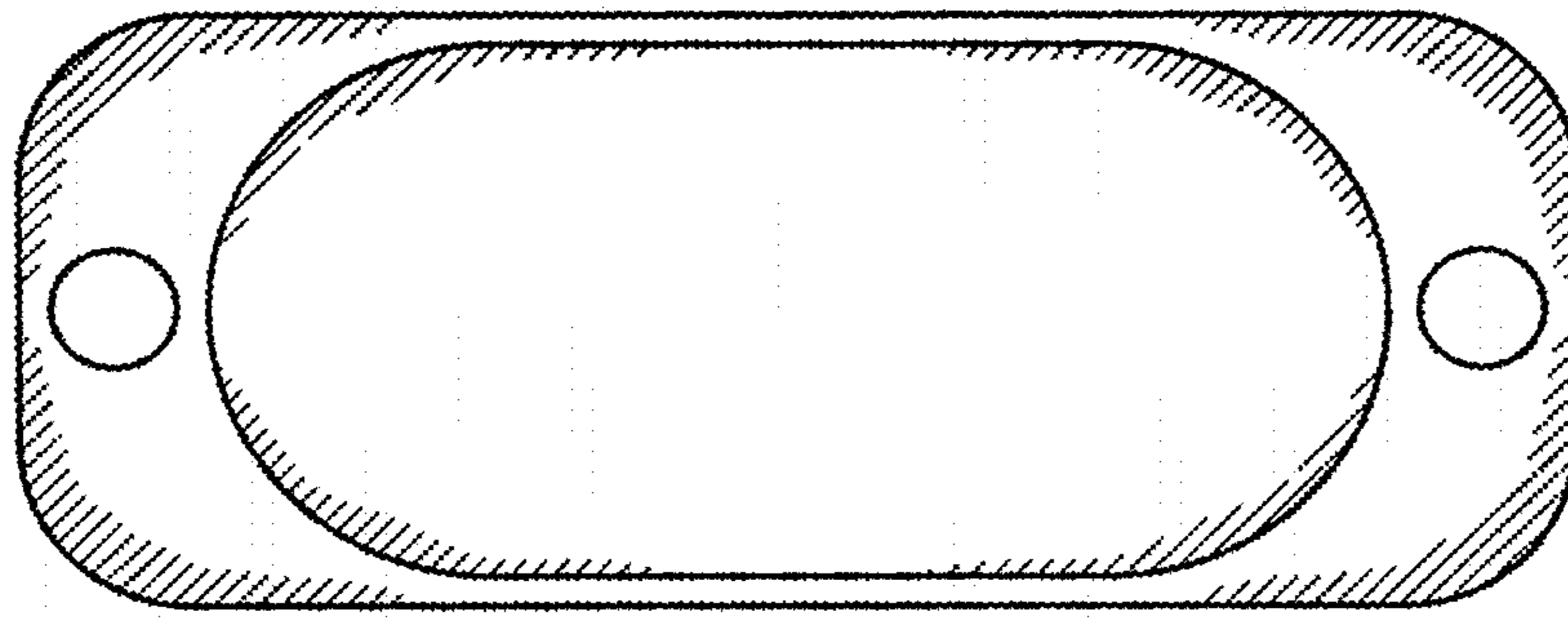


FIG.6

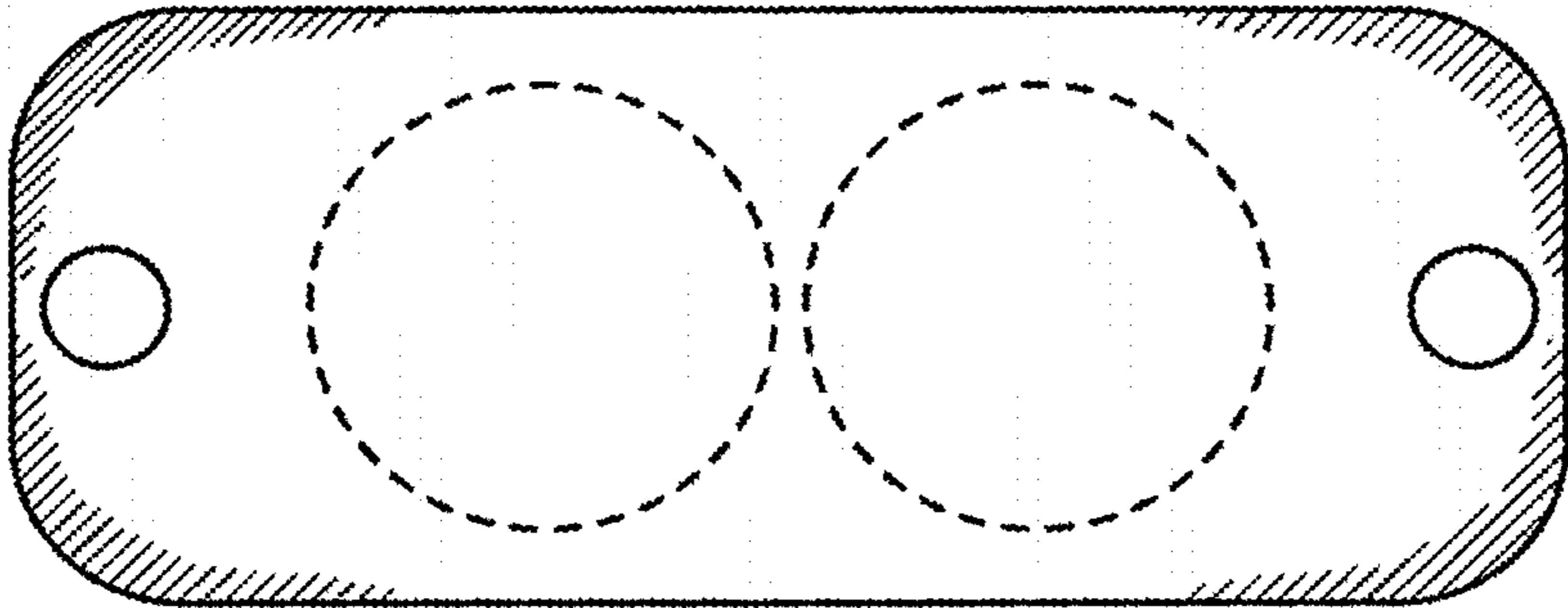


FIG. 7